



US00D416194S

# United States Patent [19]

Brorsson et al.

[11] Patent Number: **Des. 416,194**

[45] Date of Patent: **\*\* Nov. 9, 1999**

[54] **LOCKING SPRING FOR A CONNECTOR**

[75] Inventors: **Lena Charlott Brorsson**, Lund; **Jan Gustav Atterklint**, Skärholmen; **Sven Ingvar Sjöqvist**, Tullinge, all of Sweden; **Jacobus Nicolaas Tuin**, CW Best, Netherlands; **Carl-Magnus Hansson**, Lund, Sweden

[73] Assignee: **Telefonaktiebolaget LM Ericsson**, Stockholm, Sweden

[\*\*] Term: **14 Years**

[21] Appl. No.: **29/097,535**

[22] Filed: **Dec. 9, 1998**

### Related U.S. Application Data

[62] Division of application No. 29/060,685, Oct. 4, 1996, Pat. No. Des. 406,230.

### Foreign Application Priority Data

Apr. 4, 1996 [SE] Sweden ..... 960774

[51] LOC (6) Cl. .... **08-99**

[52] U.S. Cl. .... **D8/499; D13/154**

[58] Field of Search ..... D13/133, 154; D14/217, 256; 439/345-348, 592, 597, 603; 403/280, 291, 297, 341; D8/499

### [56] References Cited

#### U.S. PATENT DOCUMENTS

306,690	10/1884	Johnson .
3,486,162	12/1969	Leitmann .
4,601,497	7/1986	Bartholomew .
4,861,278	8/1989	McBride et al. .
4,932,899	6/1990	Sueyoshi et al. .
4,994,696	2/1991	Sueyoshi et al. .
5,160,279	11/1992	Sagawa et al. .

*Primary Examiner*—B. J. Bullock  
*Attorney, Agent, or Firm*—Burns, Doane, Swecker & Mathis, L.L.P.

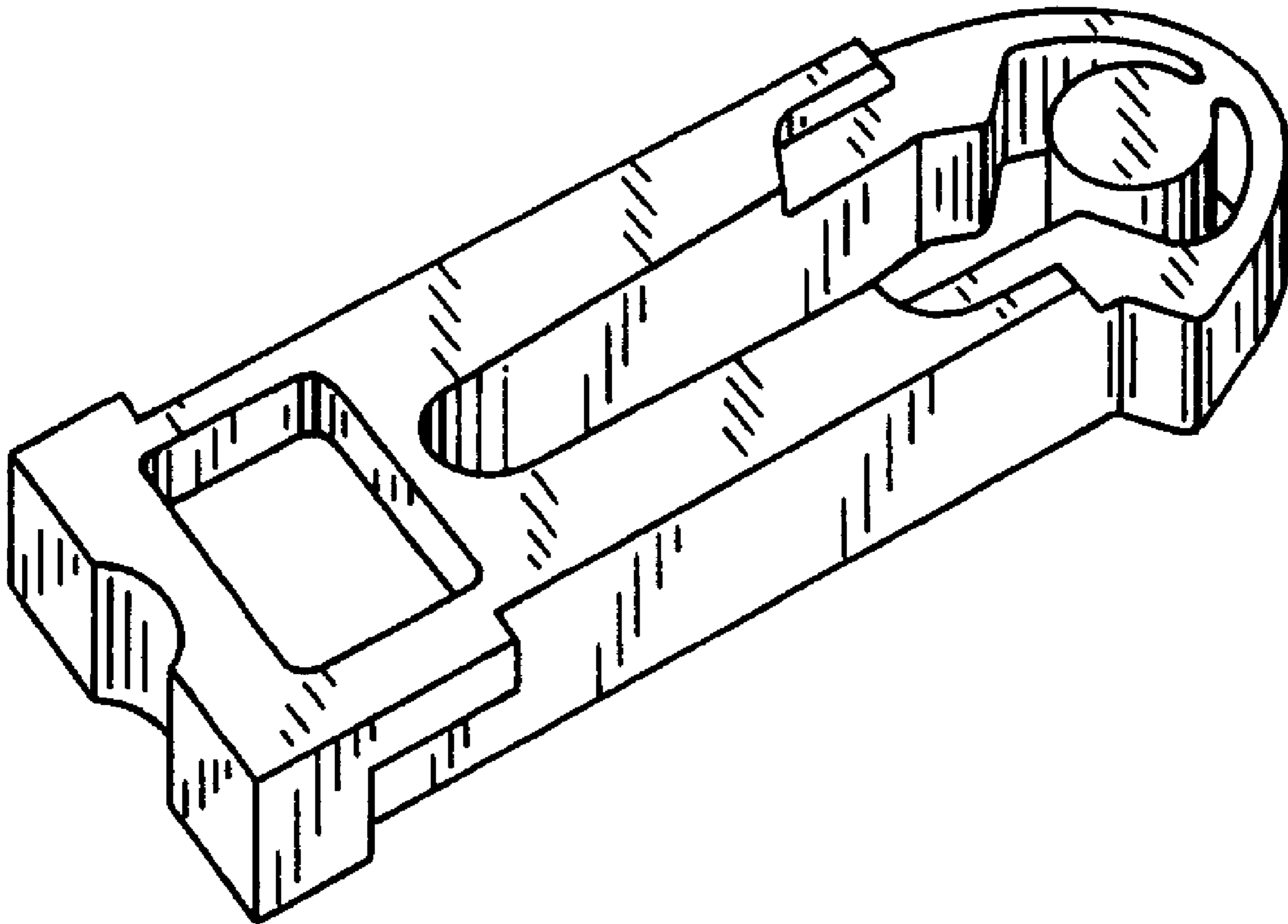
### [57] CLAIM

The ornamental design for a locking spring for a connector, as shown and described.

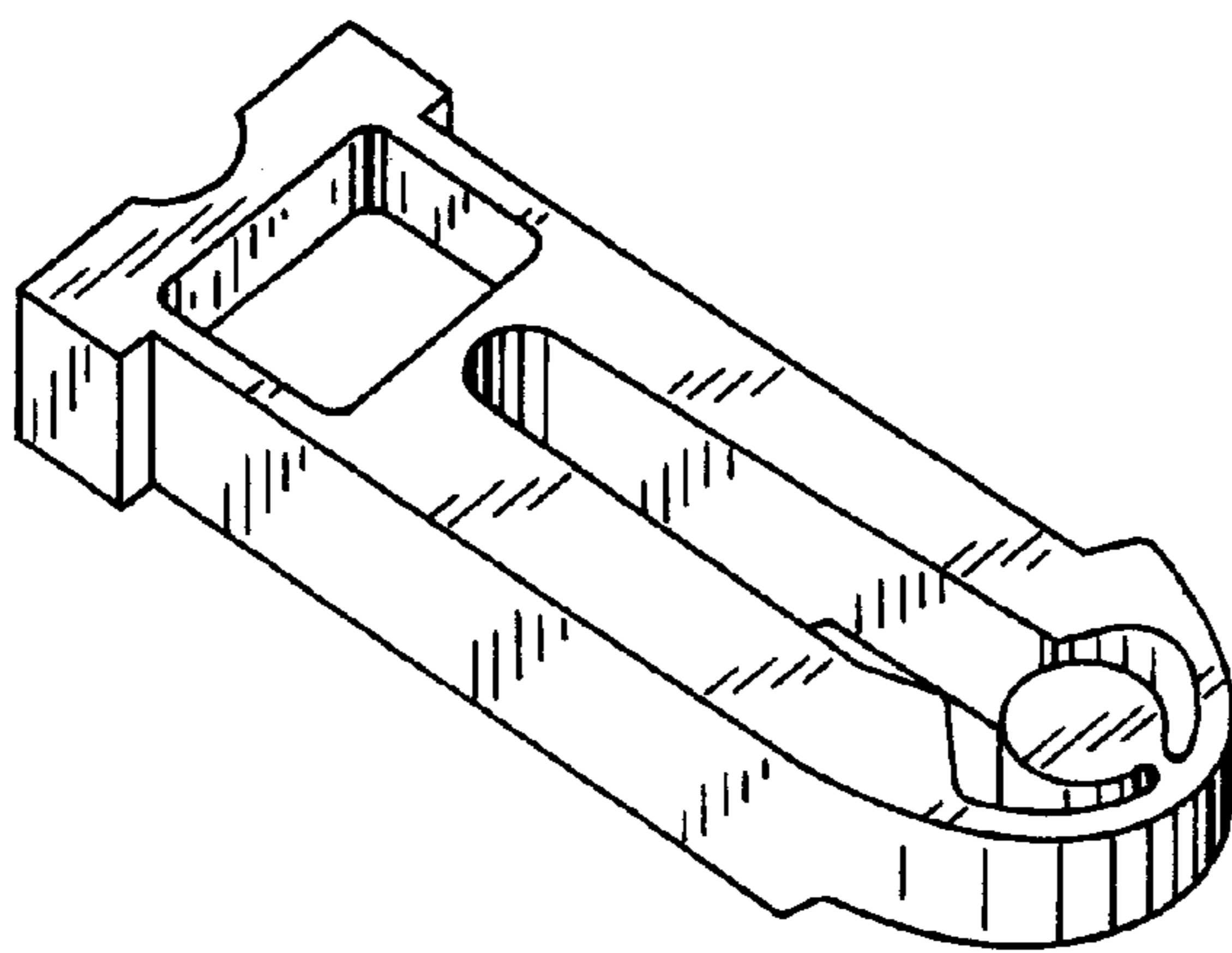
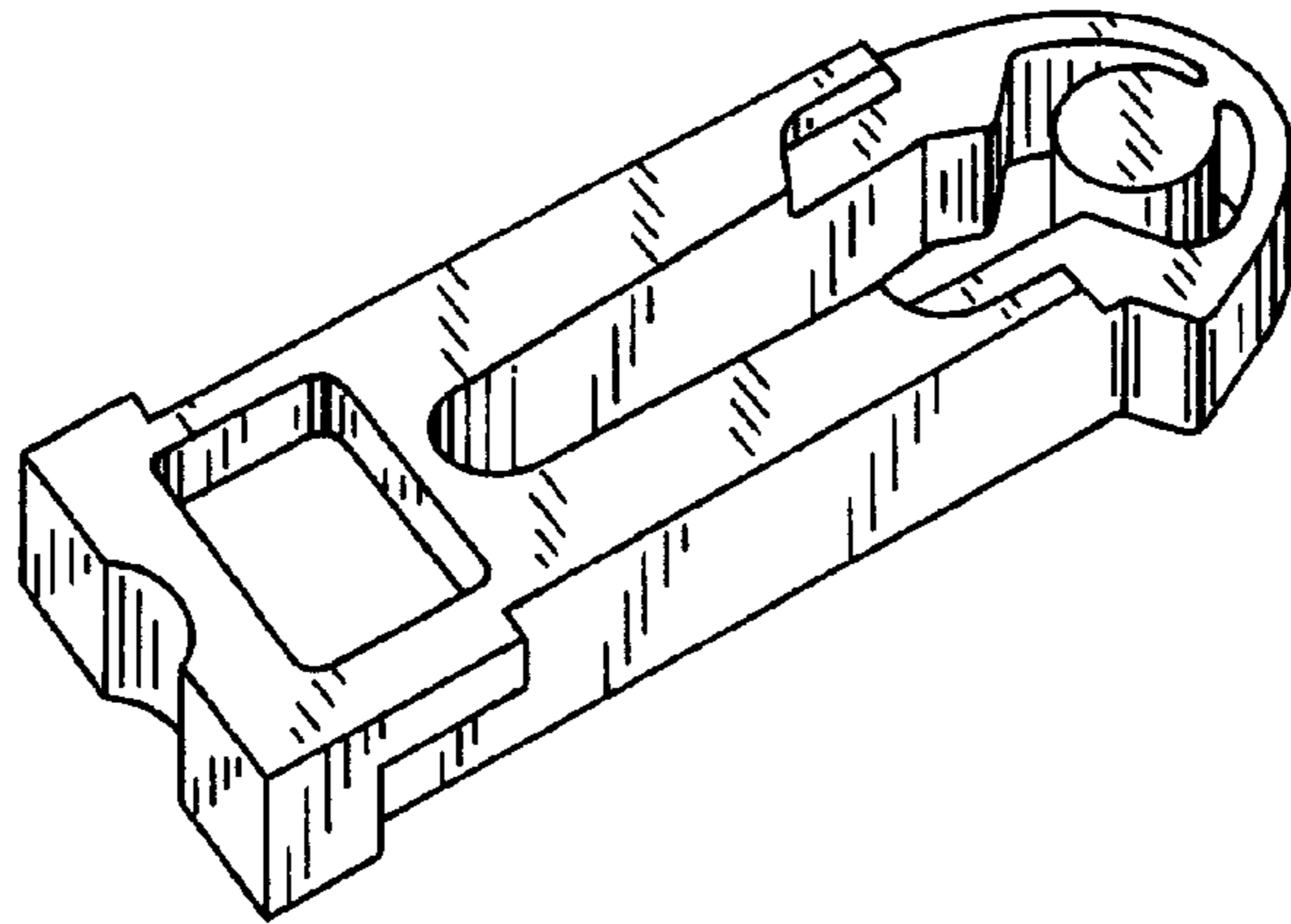
### DESCRIPTION

FIG. 1 is a rear, top perspective view of the locking spring for a connector showing our new design; and, FIG. 2 is a front, bottom perspective view thereof.

**1 Claim, 1 Drawing Sheet**



**FIG. 1**



**FIG. 2**