



US00D416193S

United States Patent [19]

Erickson

[11] Patent Number: **Des. 416,193**

[45] Date of Patent: **** Nov. 9, 1999**

[54] **KNOCKER**

D. 378,799 4/1997 Erickson D8/401
D. 378,800 4/1997 Erickson D8/401

[76] Inventor: **Donald A. Erickson**, 4665 S., Box Elder St., Murray, Utah 84107

Primary Examiner—Susan J. Lucas
Assistant Examiner—Jennifer Rivard
Attorney, Agent, or Firm—Edwin S. Wall; Wall Law Offices

[**] Term: **14 Years**

[21] Appl. No.: **29/075,133**

[57] **CLAIM**

[22] Filed: **Aug. 11, 1997**

I claim the ornamental design for a knocker, as shown and described.

[51] **LOC (6) Cl.** **10-06**

DESCRIPTION

[52] **U.S. Cl.** **D8/401**

[58] **Field of Search** 16/126, 110 R;
116/148, 155, 167, DIG. 12; D8/400, 401;
D11/132, 133, 136

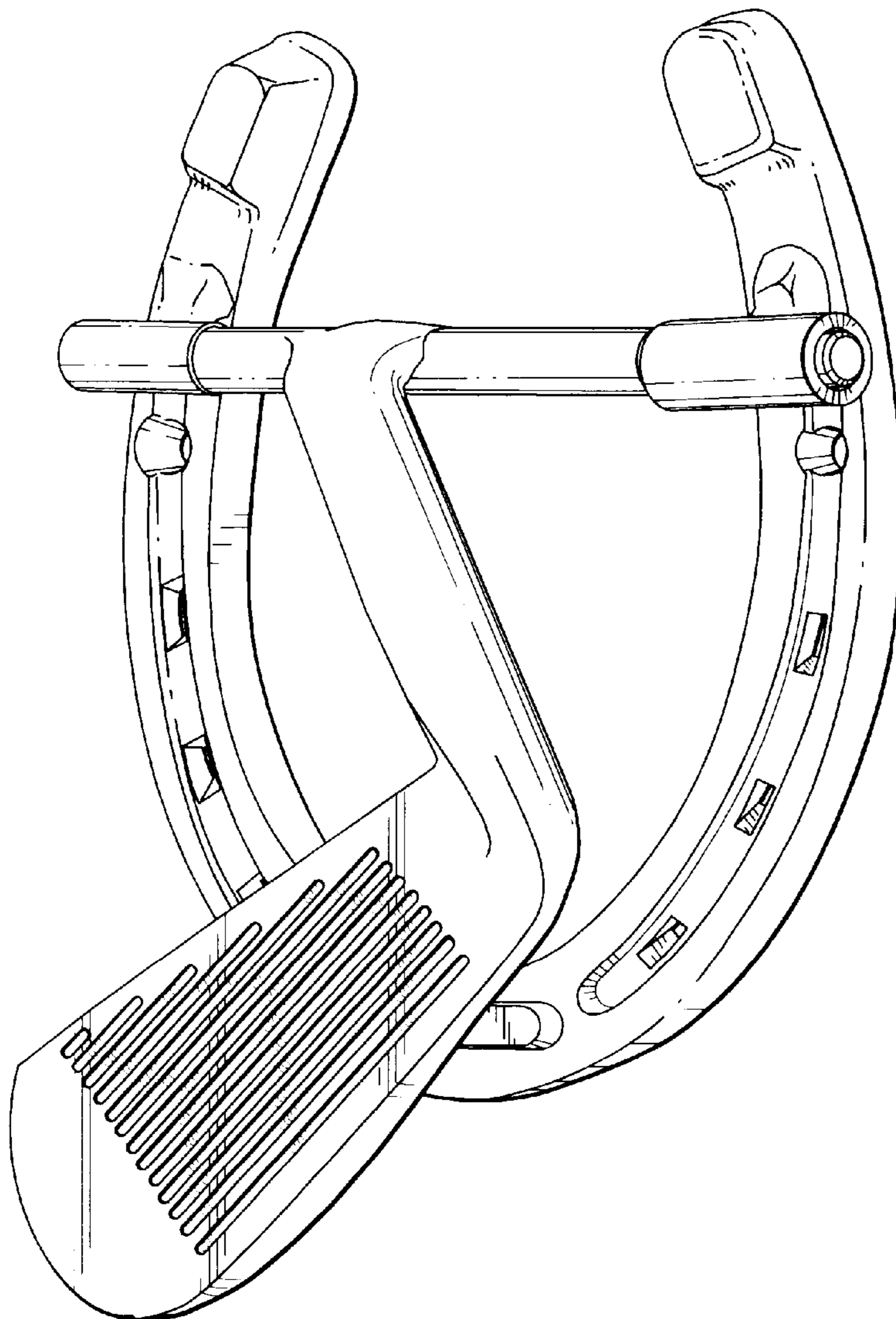
FIG. 1 is a perspective view.
FIG. 2 is a front elevation view.
FIG. 3 is a back elevation view.
FIG. 4 is a bottom elevation view.
FIG. 5 is a top elevation view.
FIG. 6 is a left side elevation view; and,
FIG. 7 is a right side elevation view.

[56] **References Cited**

U.S. PATENT DOCUMENTS

D. 187,580 4/1960 Holden D8/401
D. 240,012 5/1976 Lingley D8/401
D. 279,556 7/1985 McJunkin D8/401 X

1 Claim, 3 Drawing Sheets



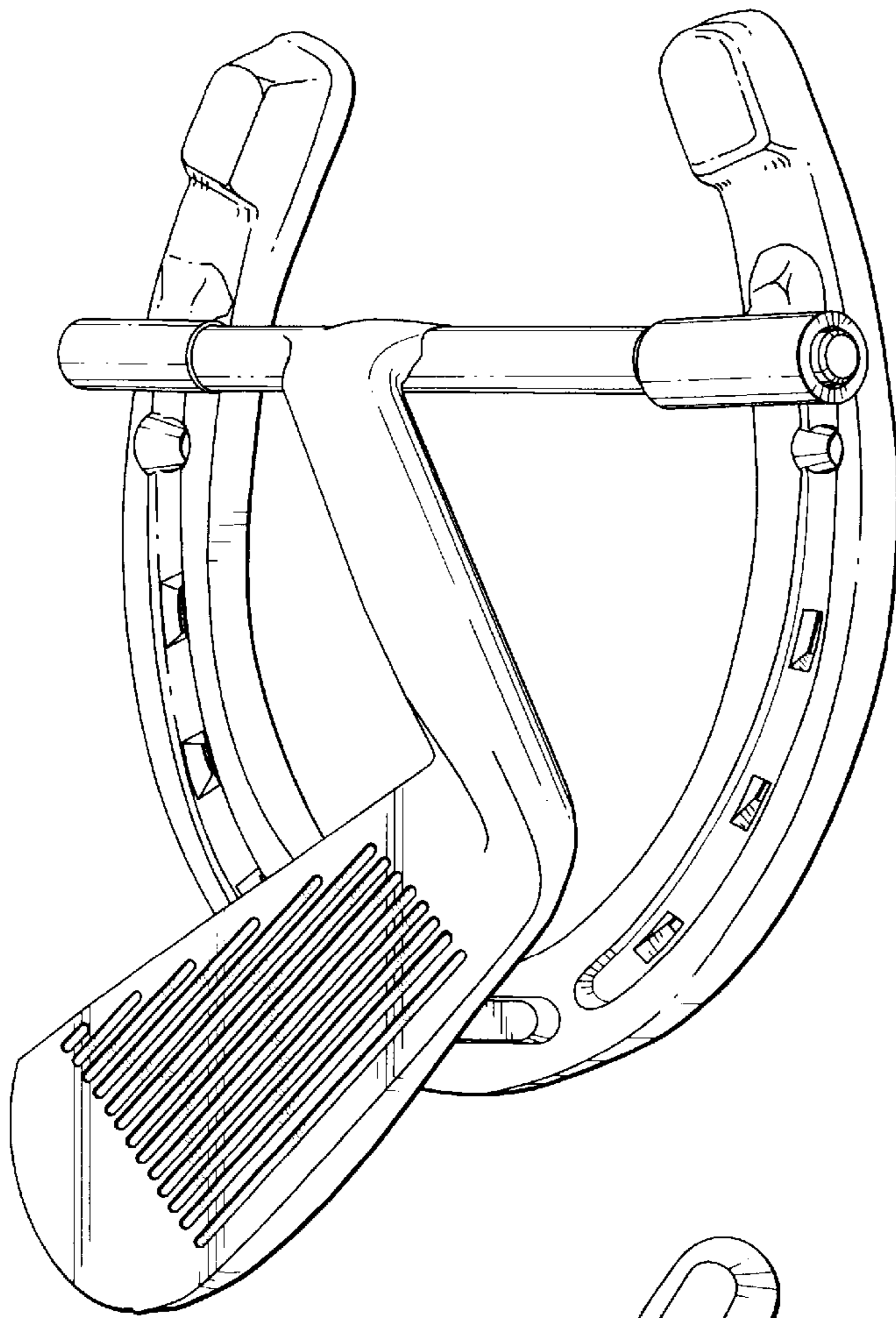


FIG. 1

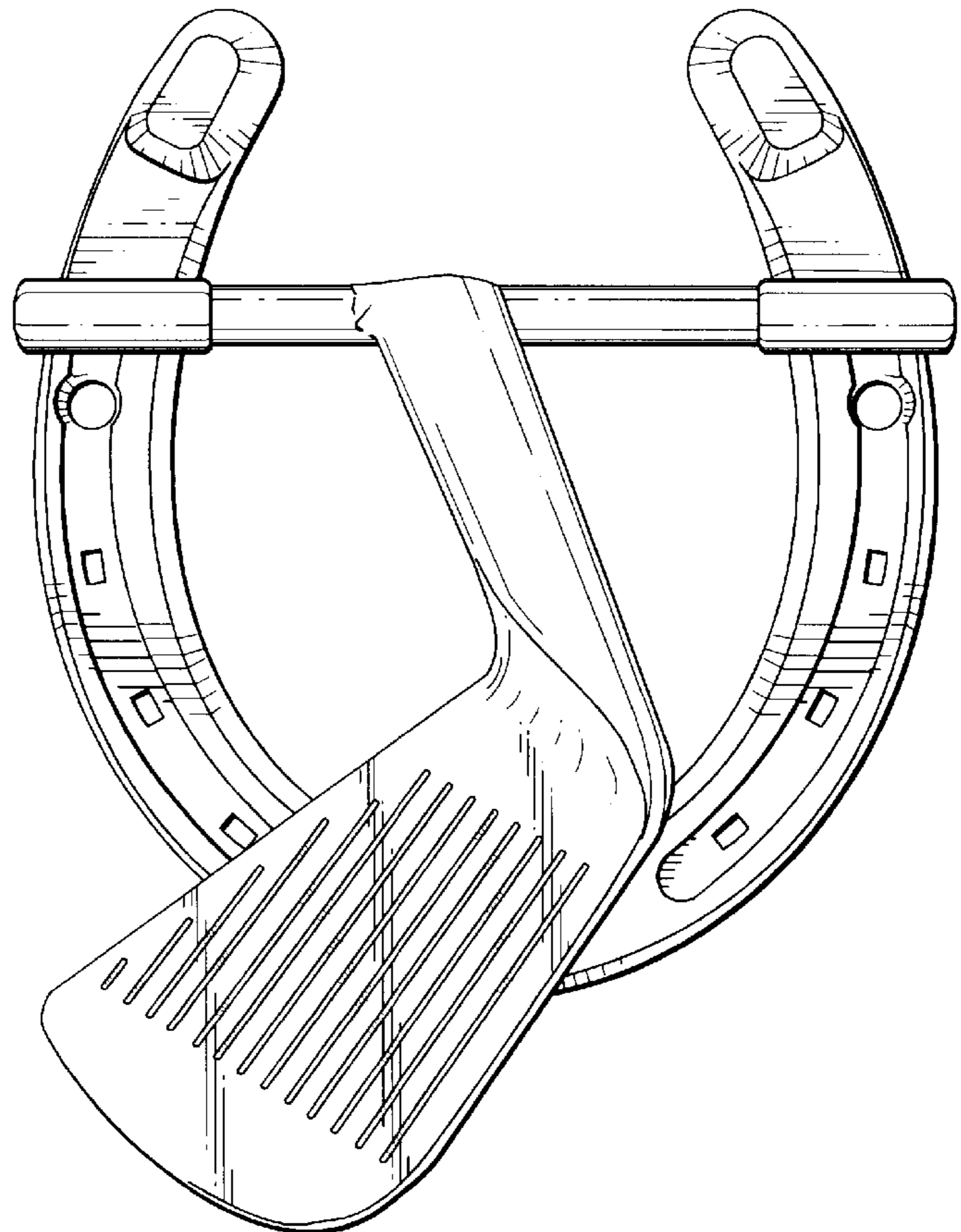


FIG. 2

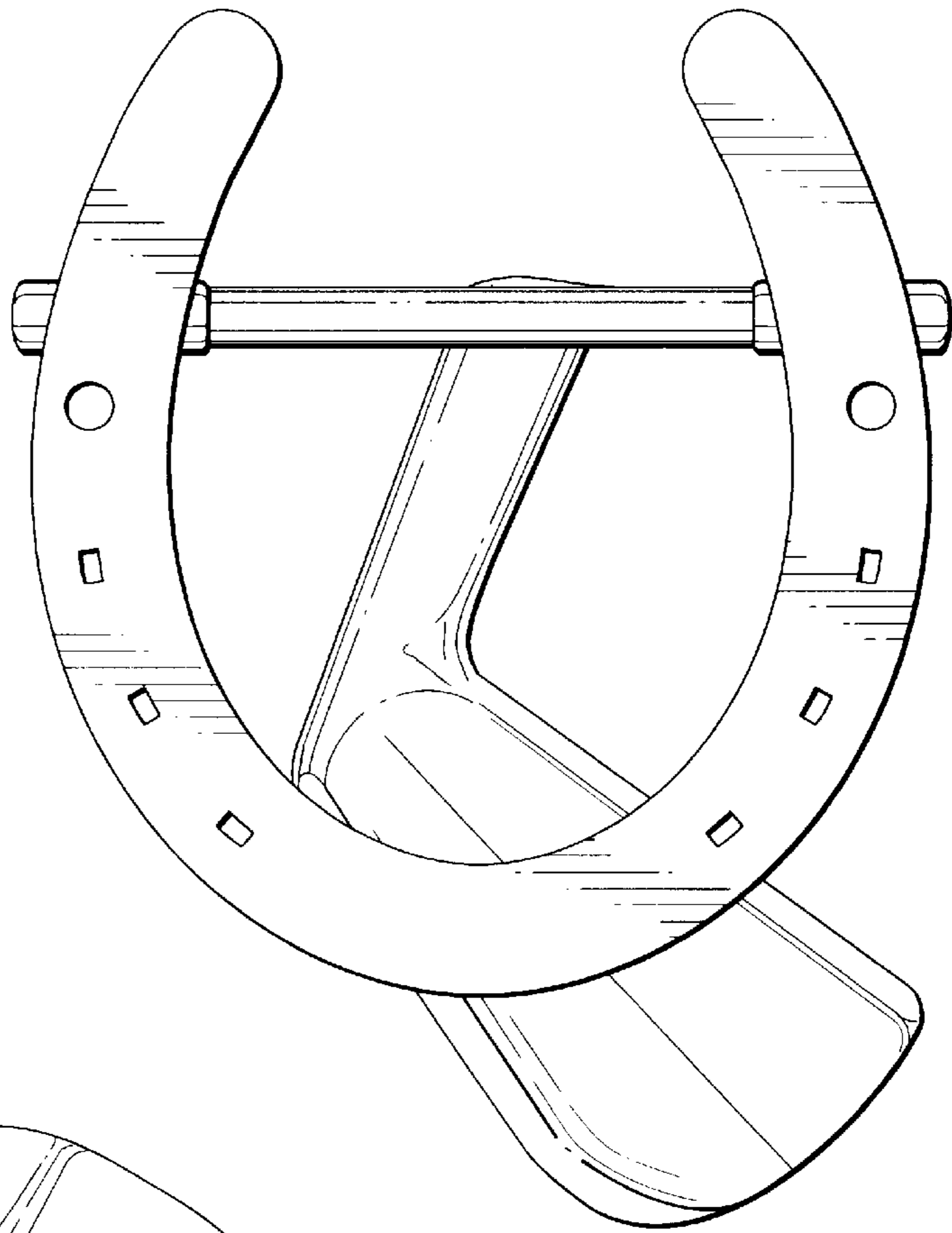


FIG. 3

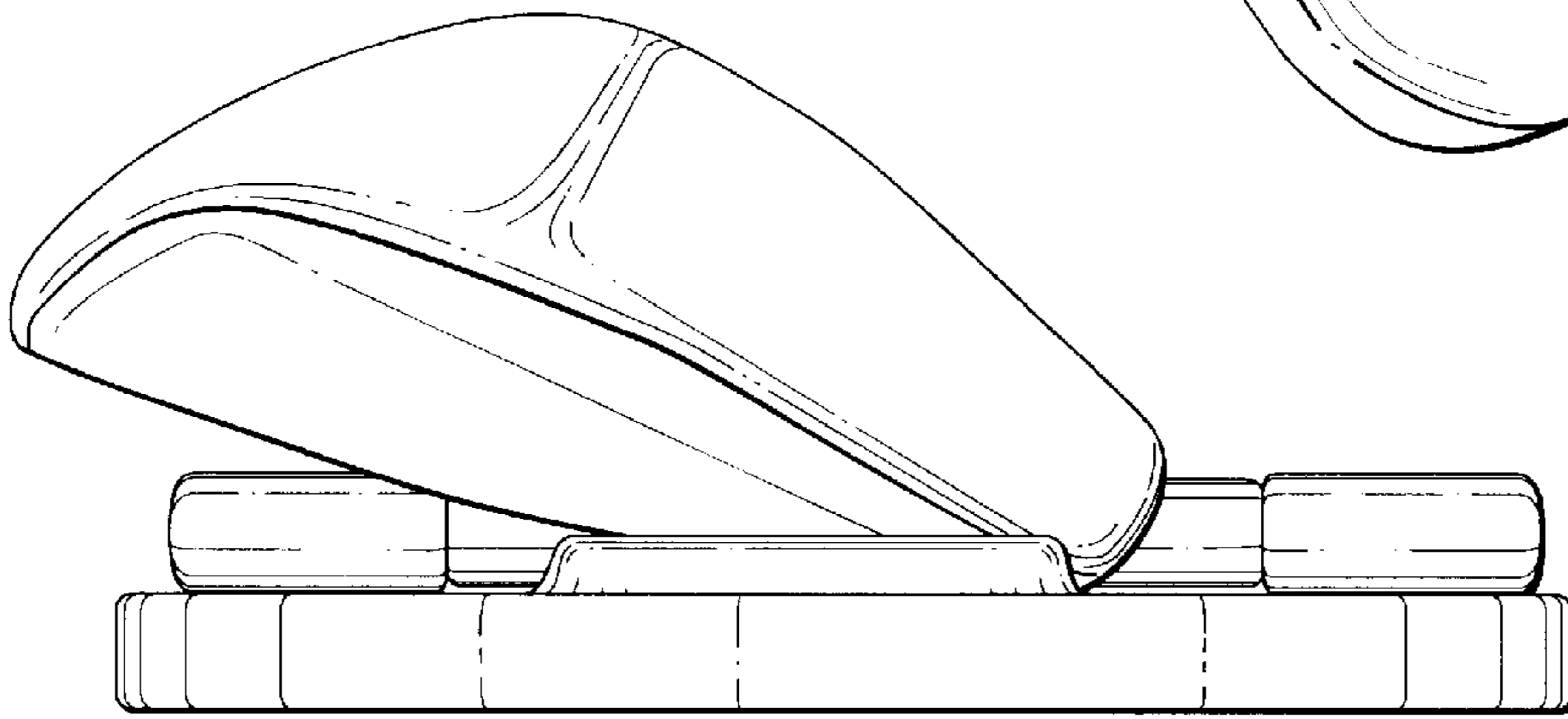


FIG. 4

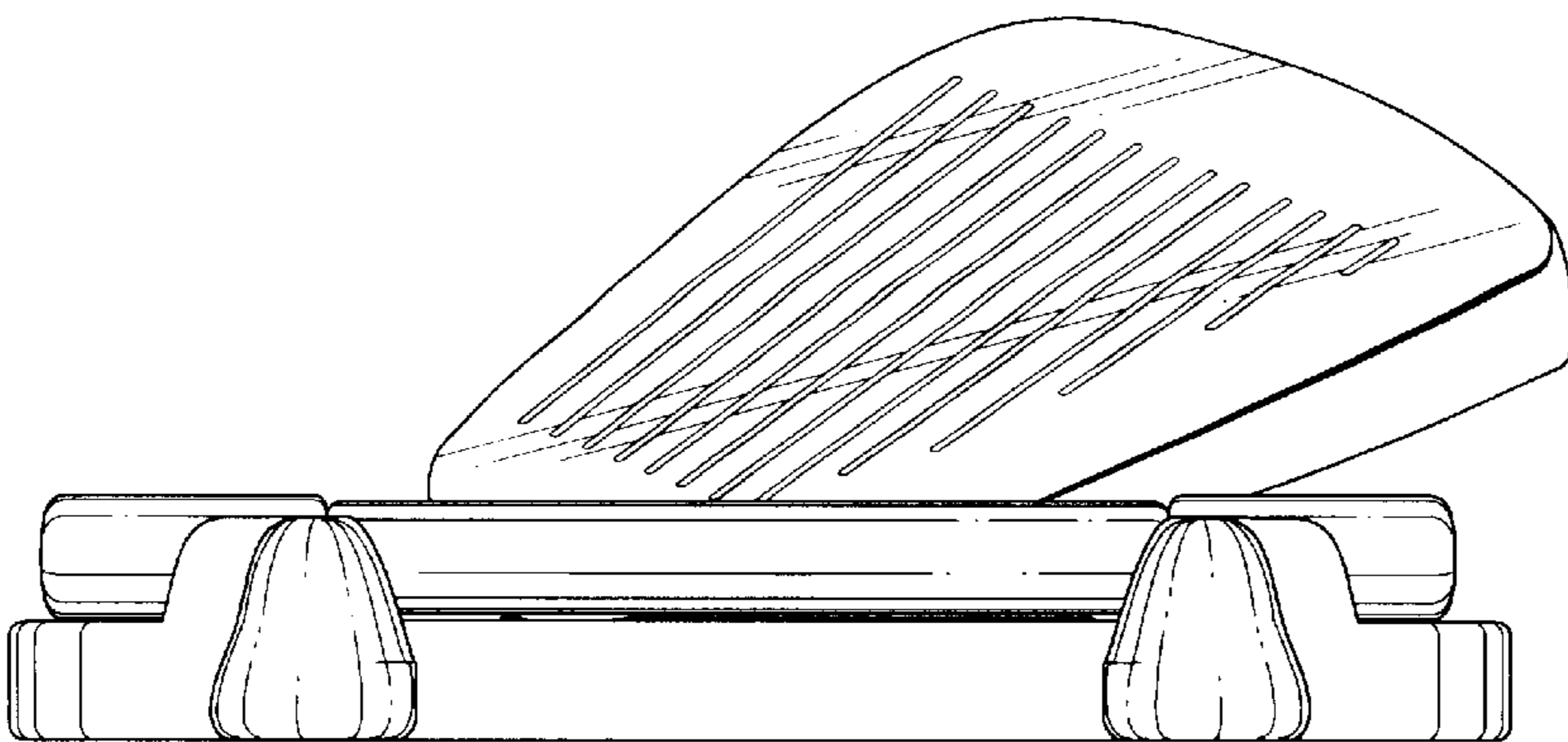


FIG. 5

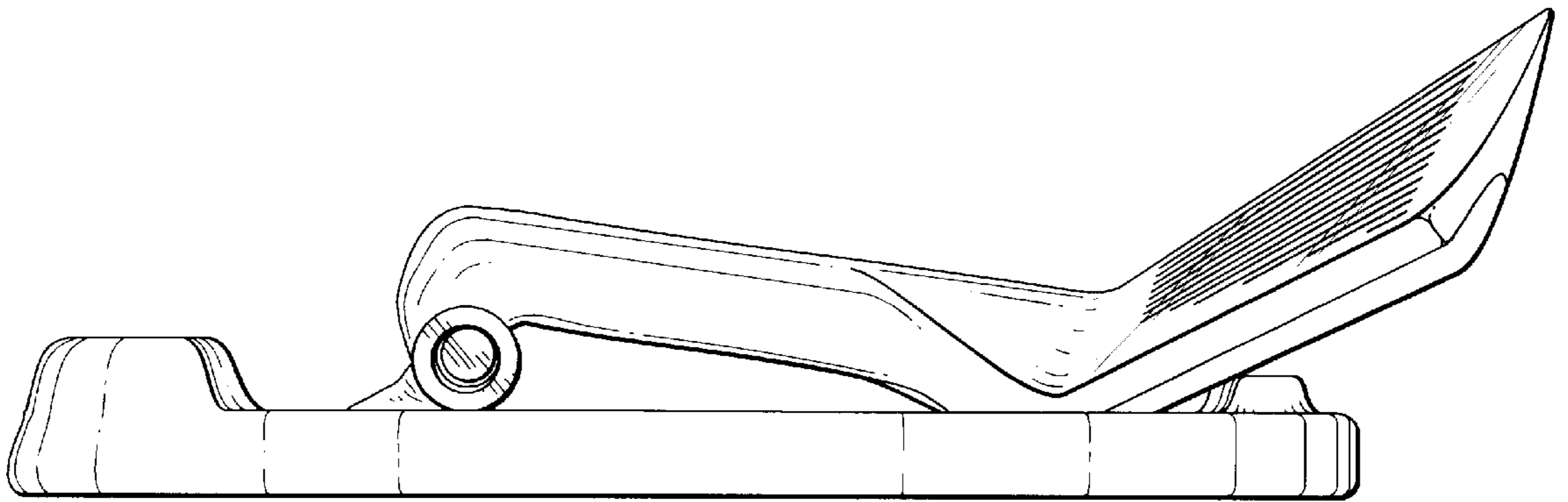


FIG. 6

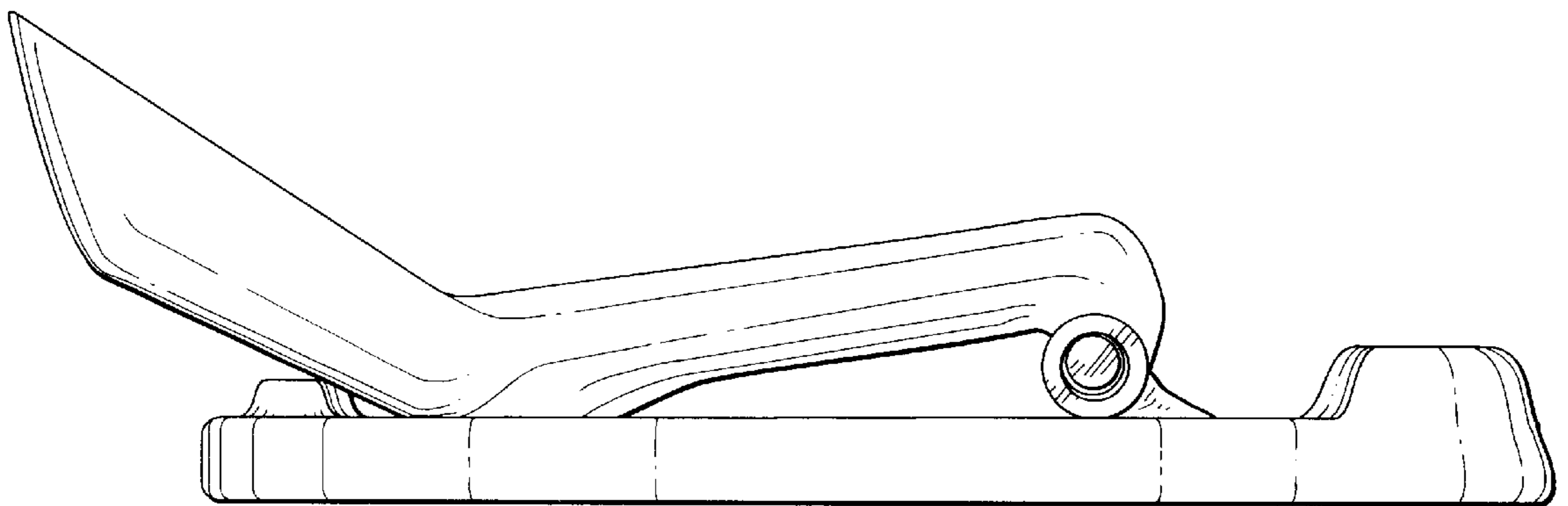


FIG. 7