



US00D416192S

# United States Patent [19]

[11] **Patent Number: Des. 416,192**

**Tu**

[45] **Date of Patent: \*\* Nov. 9, 1999**

[54] **NUT**

[76] **Inventor: Shih-Lu Tu**, No. 23, Lane 8, Cheng TEh Rd. Sec. 3., Taipei, Taiwan

[\*\*] **Term: 14 Years**

[21] **Appl. No.: 29/091,344**

[22] **Filed: Jul. 28, 1998**

[51] **LOC (6) Cl. .... 08-08**

[52] **U.S. Cl. .... D8/397**

[58] **Field of Search** ..... D8/382, 385, 397; 411/427, 429, 437, 500, 910, 918; 301/35.6, 111

3,078,900 2/1963 Walker .

4,369,012 1/1983 Bailet et al. .... 411/437

5,800,023 9/1998 Hartenstine et al. .... 301/111

*Primary Examiner*—B. J. Bullock  
*Attorney, Agent, or Firm*—Bacon & Thomas

## [57] CLAIM

The ornamental design for a nut, as shown and described.

## DESCRIPTION

FIG. 1 is a perspective view of a nut showing my new design;

FIG. 2 is a reduced front elevational view thereof; the rear elevational view is the same as the front elevational view;

FIG. 3 is a reduced left side elevation view thereof; the right side elevation view is the same as the left side elevation view;

FIG. 4 is a reduced top plan view thereof; and,

FIG. 5 is a reduced bottom plan view thereof.

[56] **References Cited**

U.S. PATENT DOCUMENTS

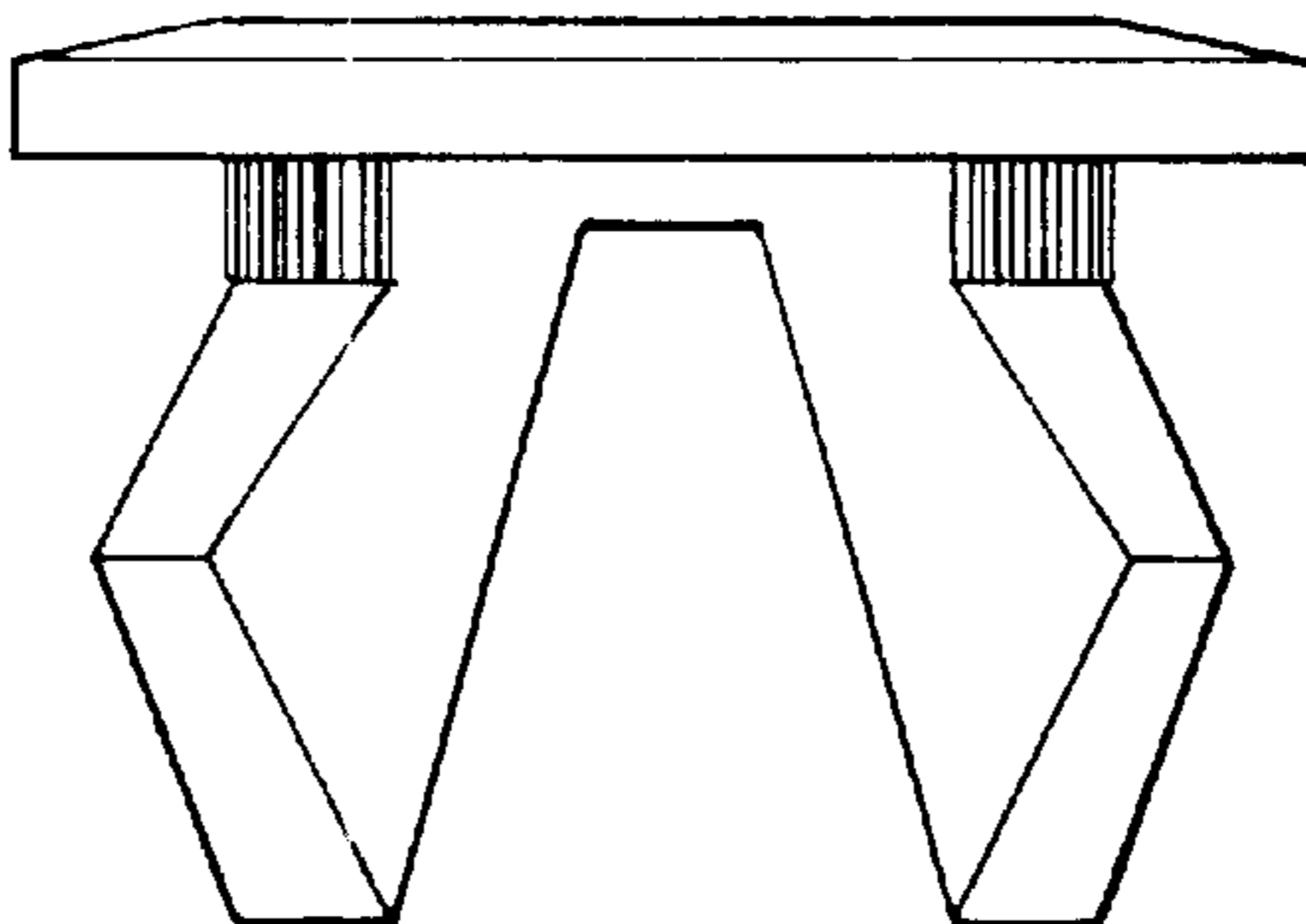
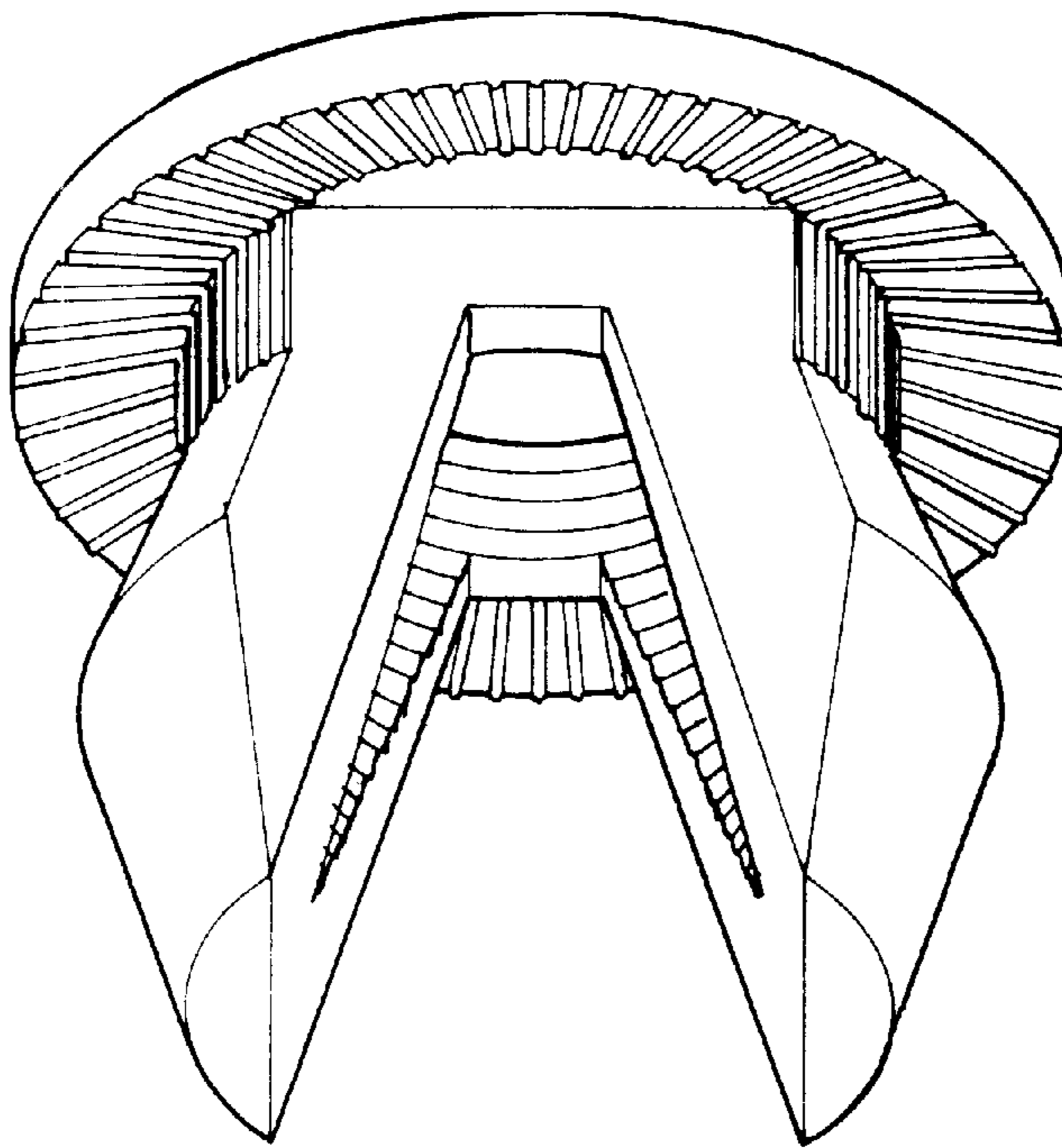
D. 22,813 9/1893 Rouse .

D. 219,426 12/1970 Ginsberg .

D. 368,020 3/1996 Shirai ..... D8/397

1,607,273 11/1926 Hecht .

**1 Claim, 2 Drawing Sheets**



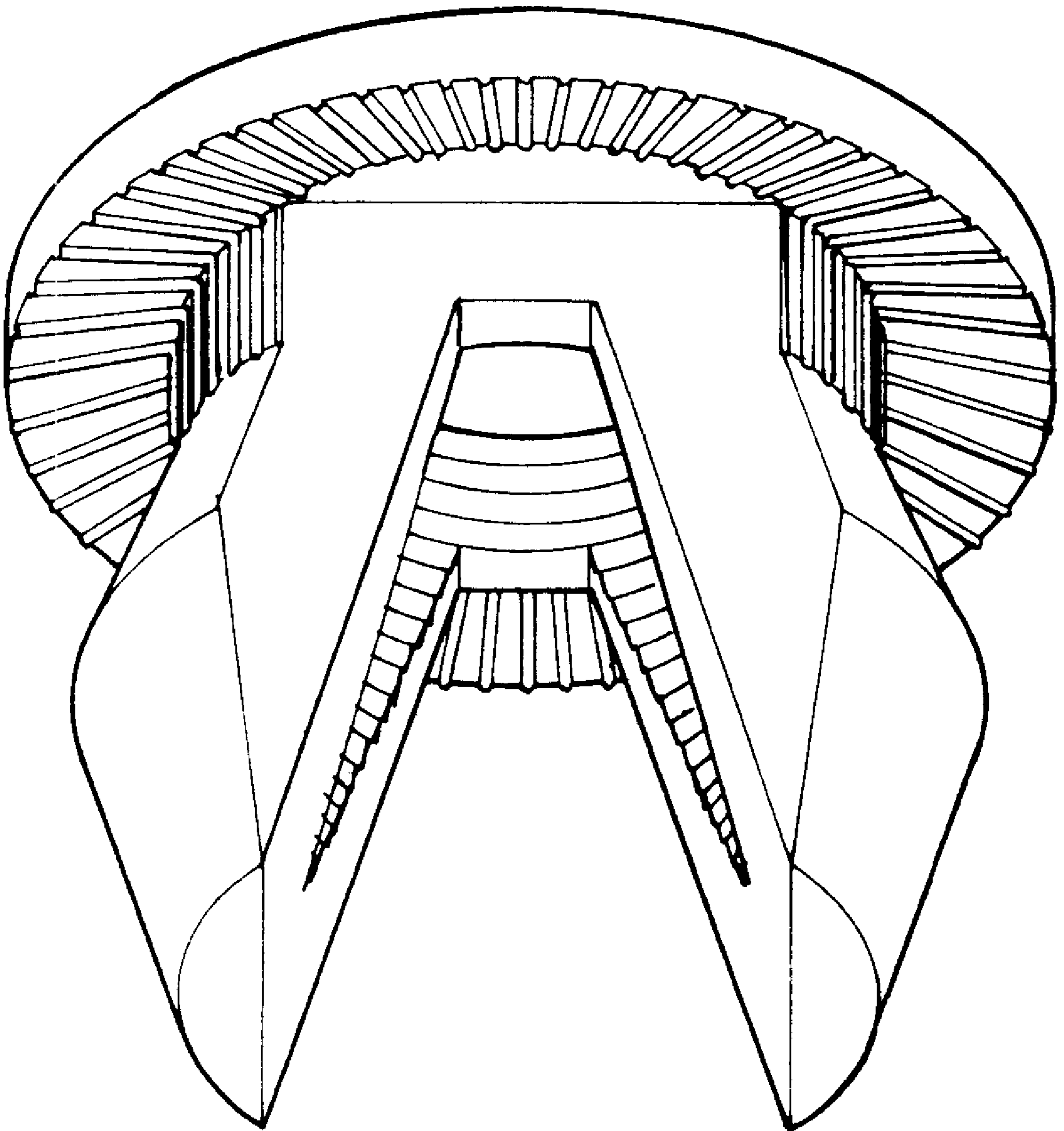


FIG. 1

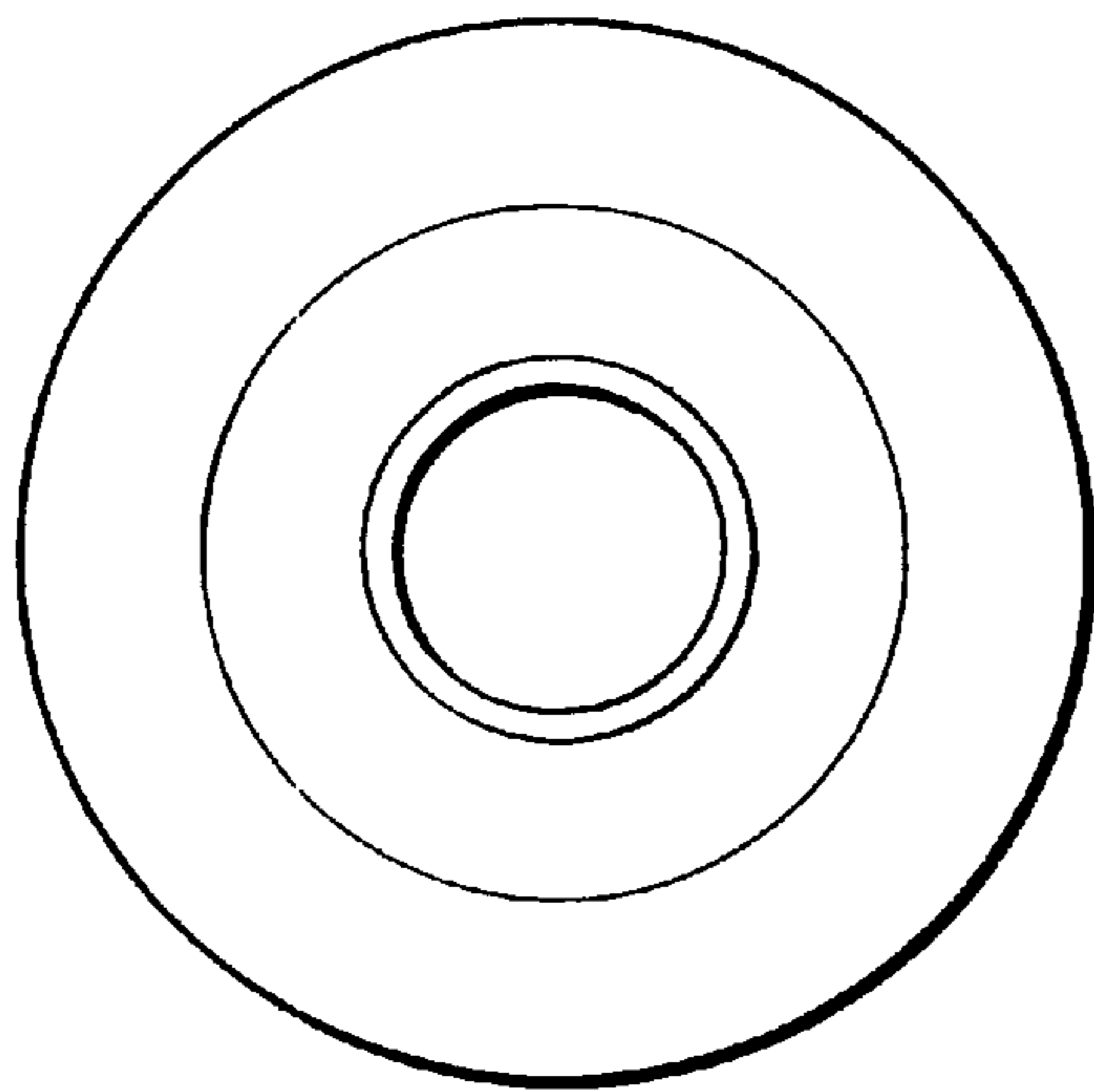


FIG. 4

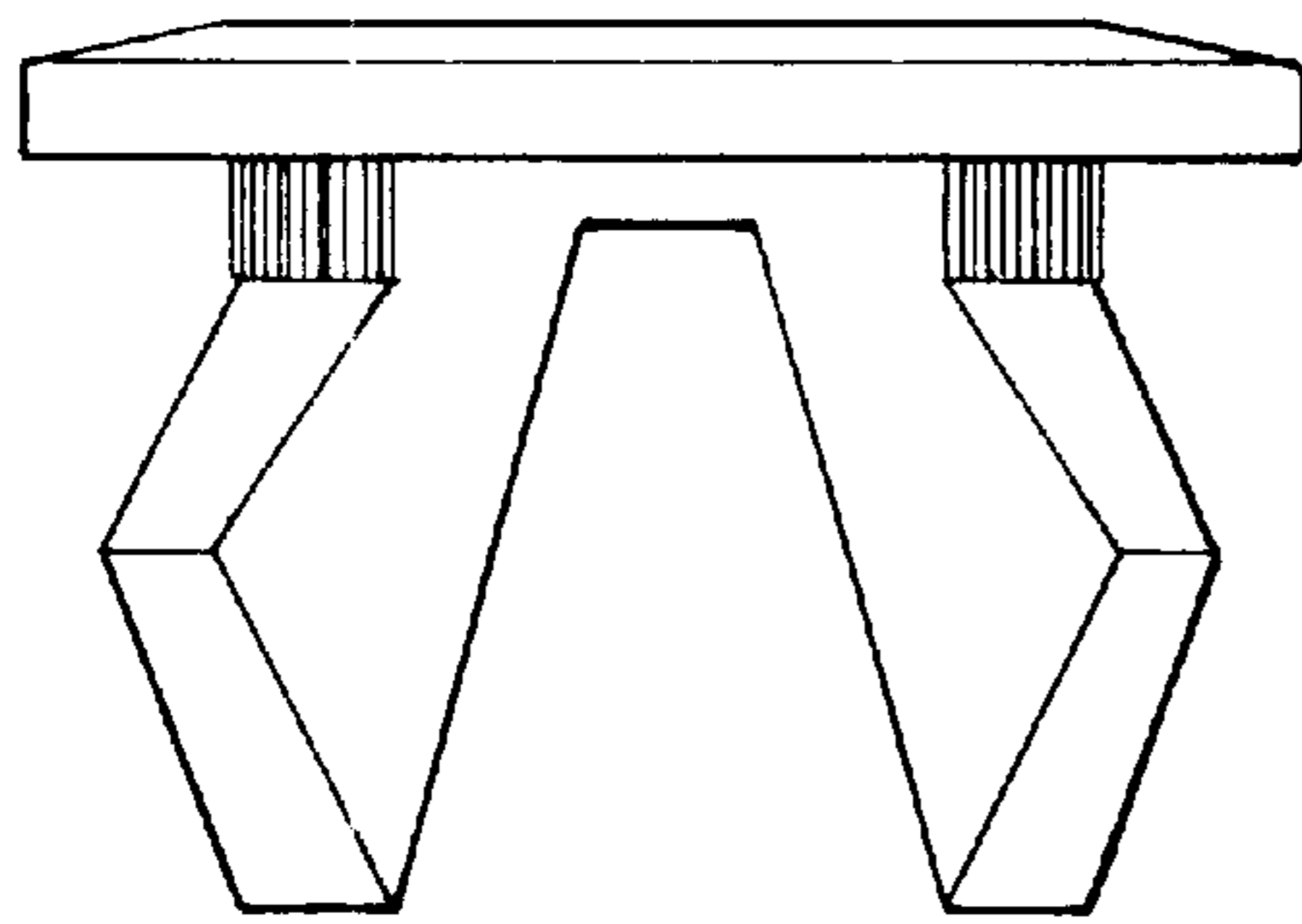


FIG. 2

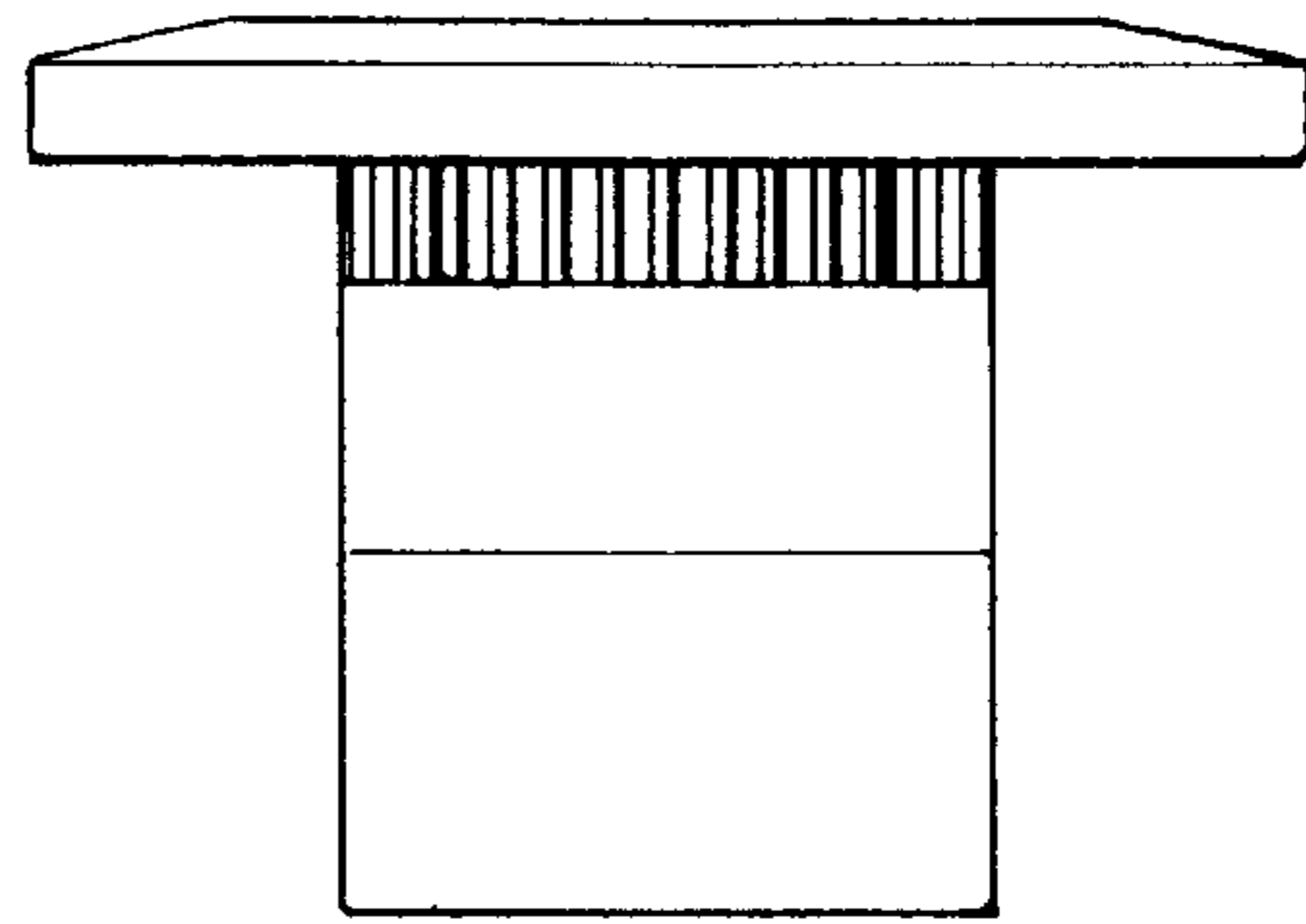


FIG. 3

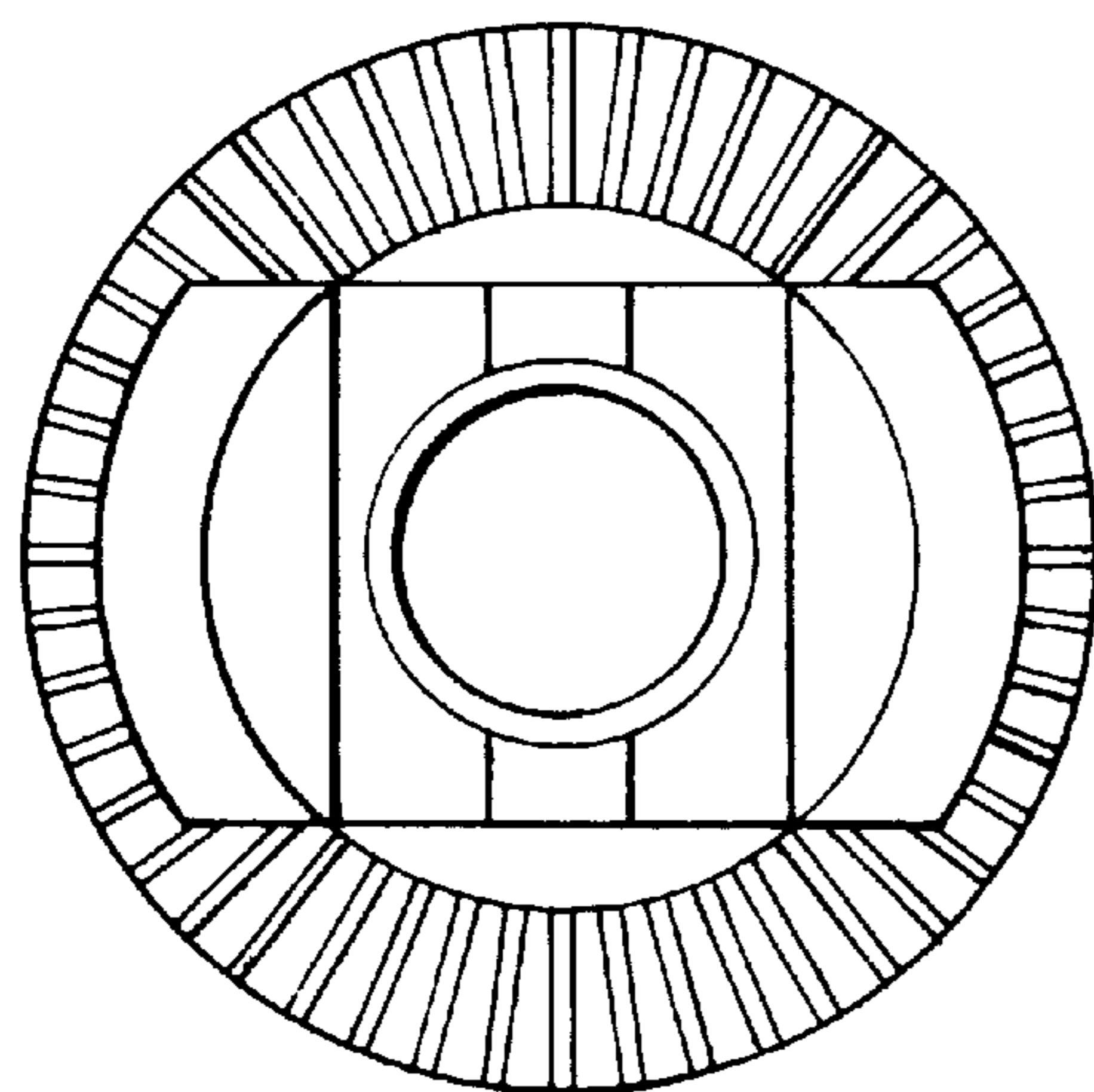


FIG. 5