



US00D416188S

# United States Patent [19]

Rosen et al.

[11] Patent Number: Des. 416,188

[45] Date of Patent: \*\* Nov. 9, 1999

[54] ELECTRONIC EQUIPMENT MOUNT

D. 384,879 10/1997 Carlson ..... D8/381

[75] Inventors: John B. Rosen, Eugene; Jeffrey S. Chapman, Veneta, both of Oreg.

Primary Examiner—Holly Baynham  
Attorney, Agent, or Firm—Kolisch, Hartwell, Dickinson, McCormack & Heuser

[73] Assignee: Rosen Products LLC, Eugene, Oreg.

### [57] CLAIM

[\*\*] Term: 14 Years

The ornamental design for an electronic equipment mount, as shown and described.

[21] Appl. No.: 29/084,570

### DESCRIPTION

[22] Filed: Mar. 4, 1998

[51] LOC (6) Cl. .... 08-05

[52] U.S. Cl. .... D8/381

[58] Field of Search ..... D8/380-381; D14/251;  
D6/553; 248/243, 237, 247, 281.11, 346.06;  
211/50

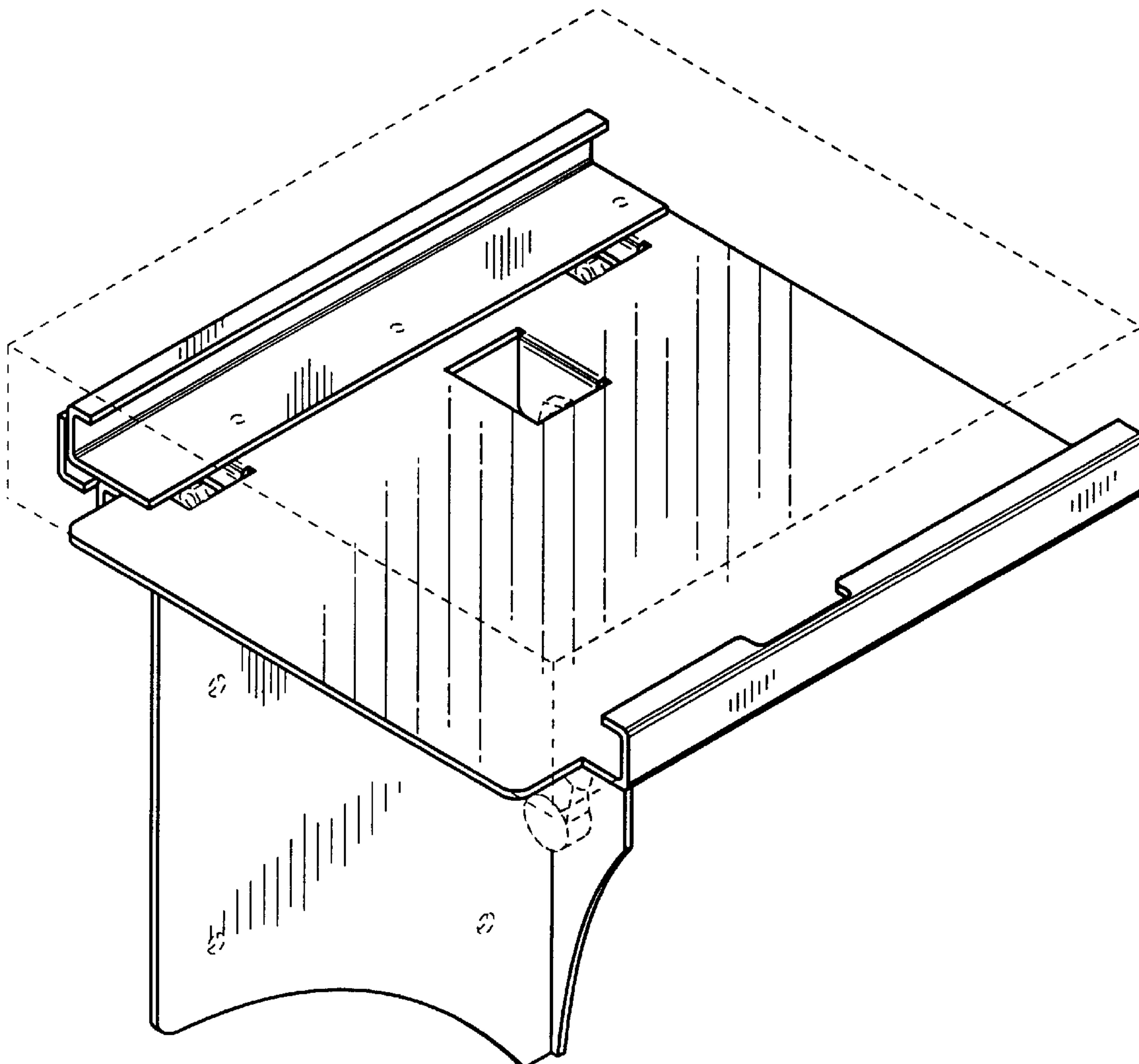
FIG. 1 is an isometric view of an electronic equipment mount showing my new design, it being understood that the broken lines are for illustrative purposes only and form no part of the claimed design;  
FIG. 2 is an end view thereof;  
FIG. 3 is an opposite end view thereof;  
FIG. 4 is a bottom view thereof;  
FIG. 5 is a top view thereof;  
FIG. 6 is a side view thereof; and,  
FIG. 7 is an opposite side view thereof.

### [56] References Cited

#### U.S. PATENT DOCUMENTS

- D. 323,777 2/1992 Knox, III ..... D8/380
- D. 325,868 5/1992 Bartok ..... D8/380

1 Claim, 3 Drawing Sheets



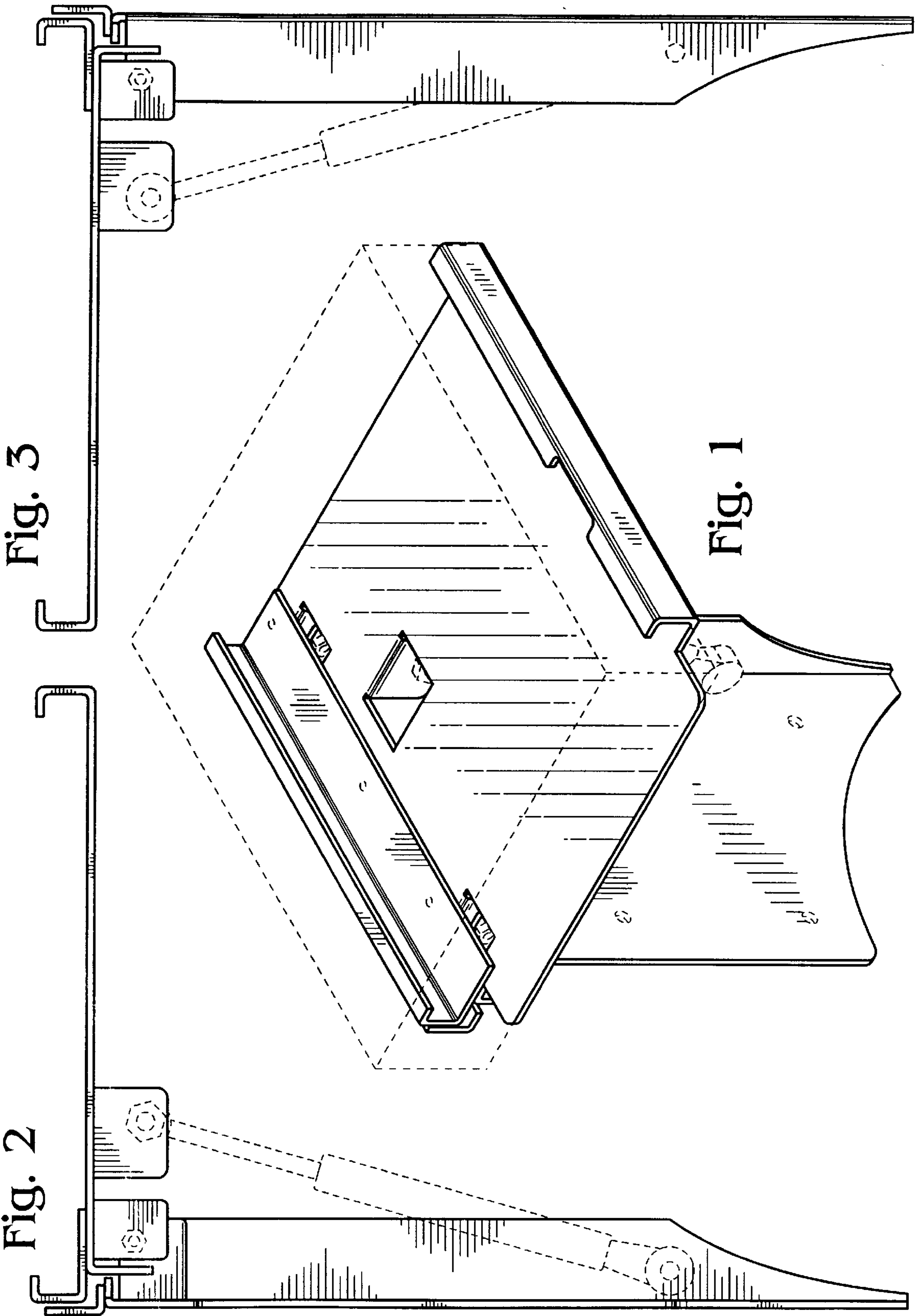


Fig. 5

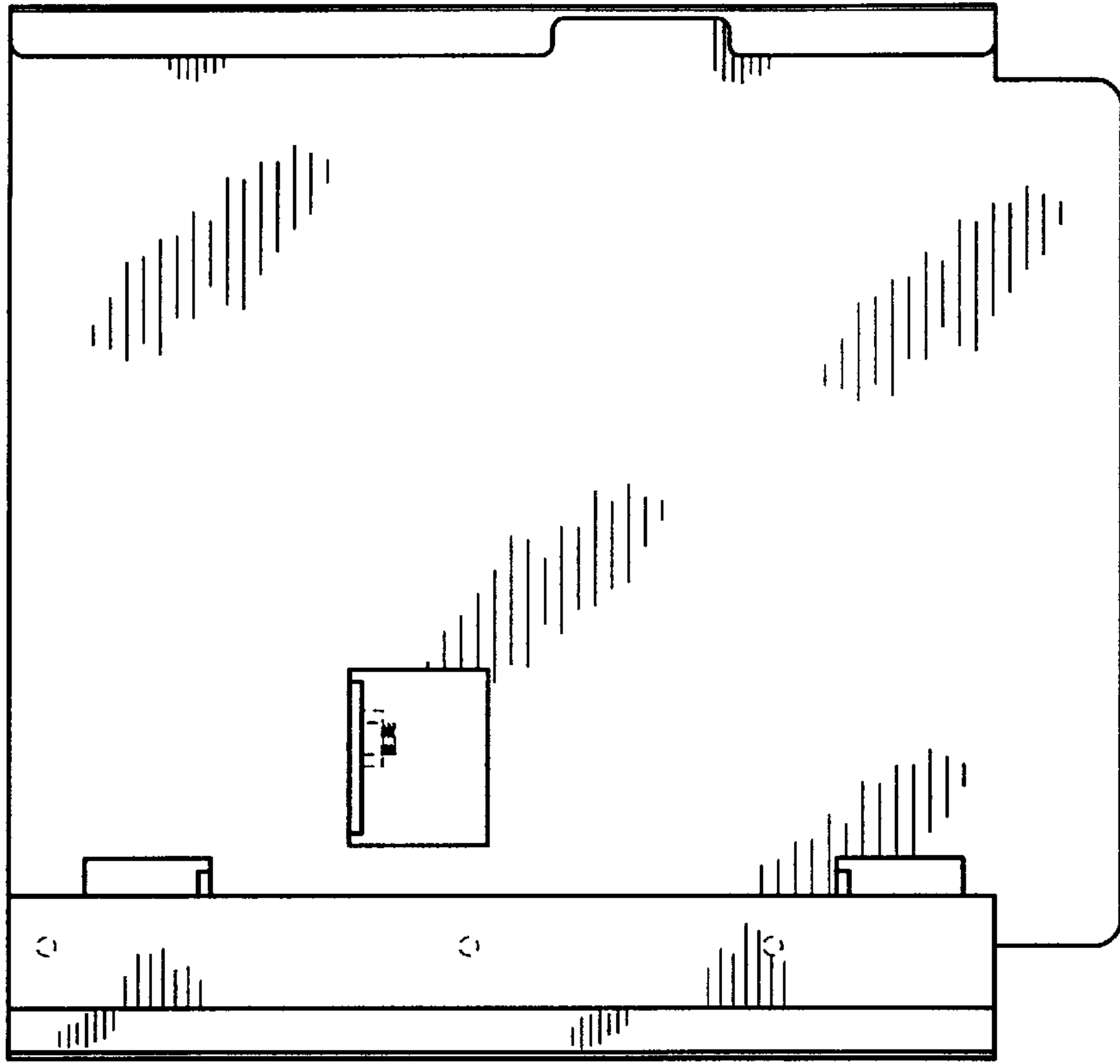
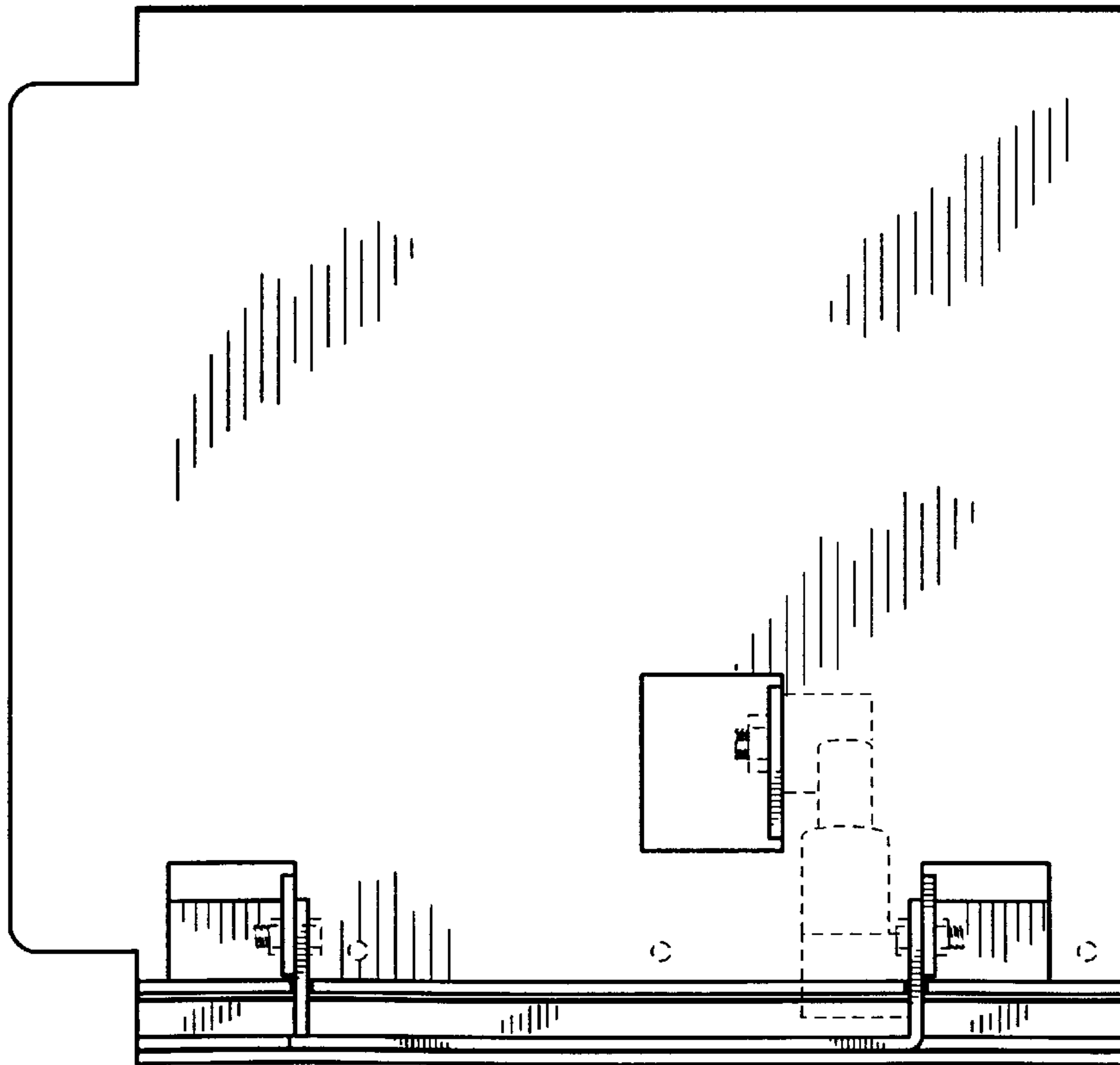


Fig. 4



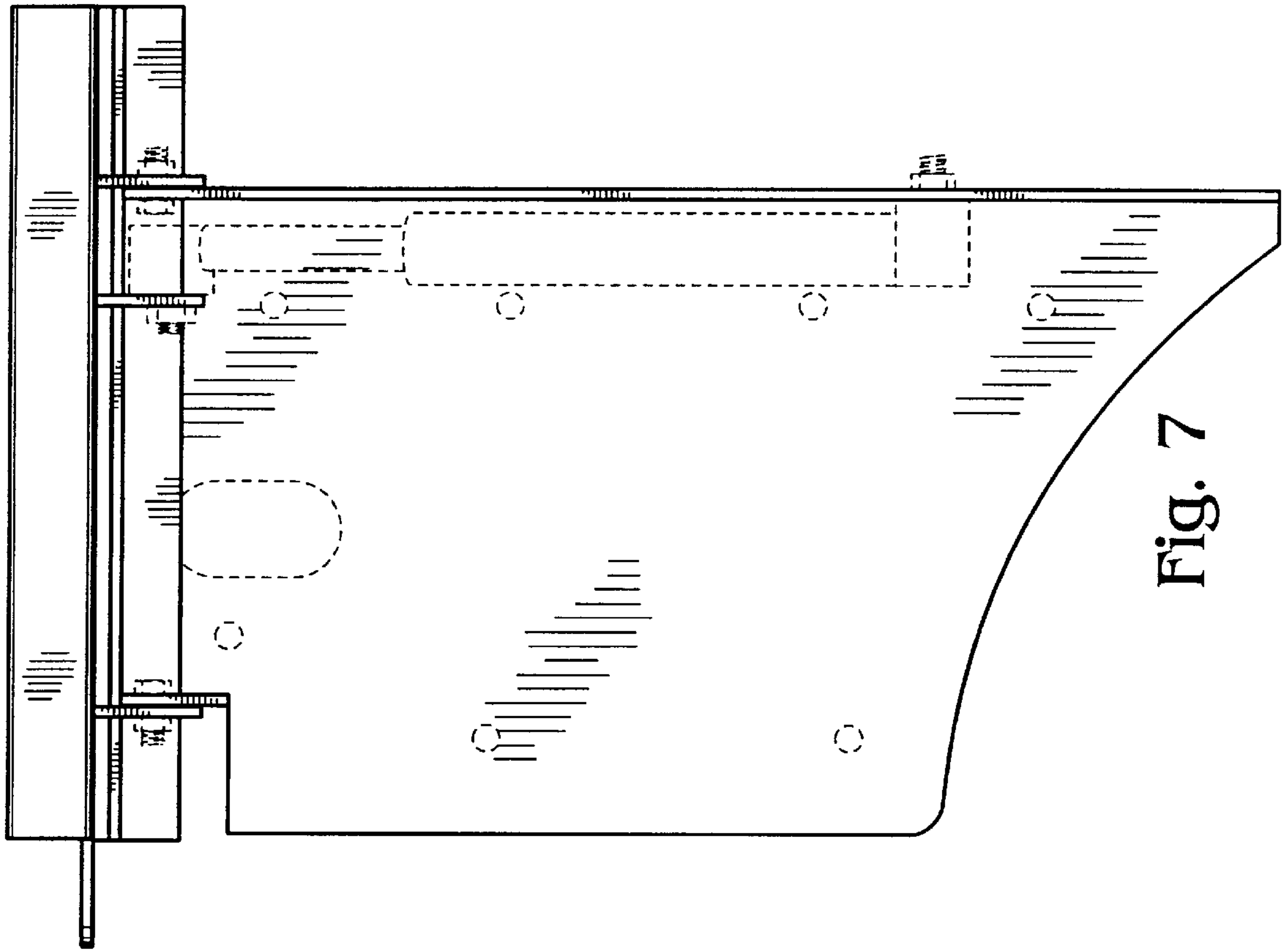


Fig. 6

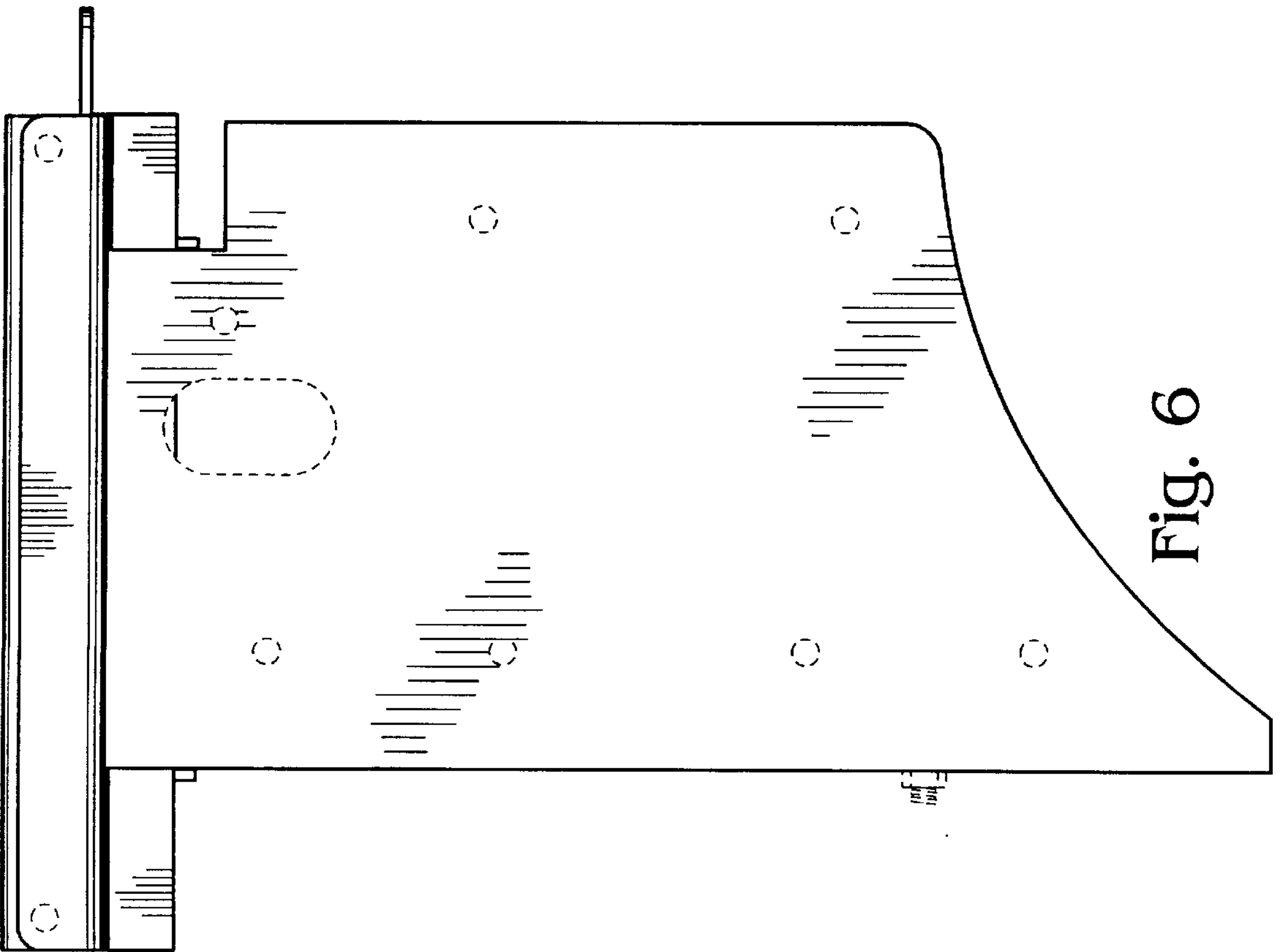


Fig. 7