



US00D416185S

# United States Patent [19]

[11] **Patent Number: Des. 416,185**

**Hsu**

[45] **Date of Patent: \*\* Nov. 9, 1999**

[54] **HANDLE FOR A TOOL**

*Primary Examiner*—James Gandy  
*Assistant Examiner*—Reid Hecker  
*Attorney, Agent, or Firm*—Banner & Witcoff, Ltd.

[76] **Inventor: Yu-Tang Hsu**, No. 100, Ping-Lin Rd.,  
Tai-Ping City, Taichung Hsien, Taiwan

[\*\*] **Term: 14 Years**

[57] **CLAIM**

The ornamental design for handle for a tool, as shown and described.

[21] **Appl. No.: 29/097,196**

[22] **Filed: Dec. 1, 1998**

**DESCRIPTION**

[51] **LOC (6) Cl. .... 08-05**

FIG. 1 is a perspective view of handle for a tool showing my new design;

[52] **U.S. Cl. .... D8/107**

FIG. 2 is a front elevational view thereof;

[58] **Field of Search** ..... D8/82, 83, 107;  
D14/137, 138, 139; 16/110.1, 111.1

FIG. 3 is a rear elevational view thereof;

FIG. 4 is a left side elevational view thereof;

[56] **References Cited**

FIG. 5 is a right side elevational view thereof;

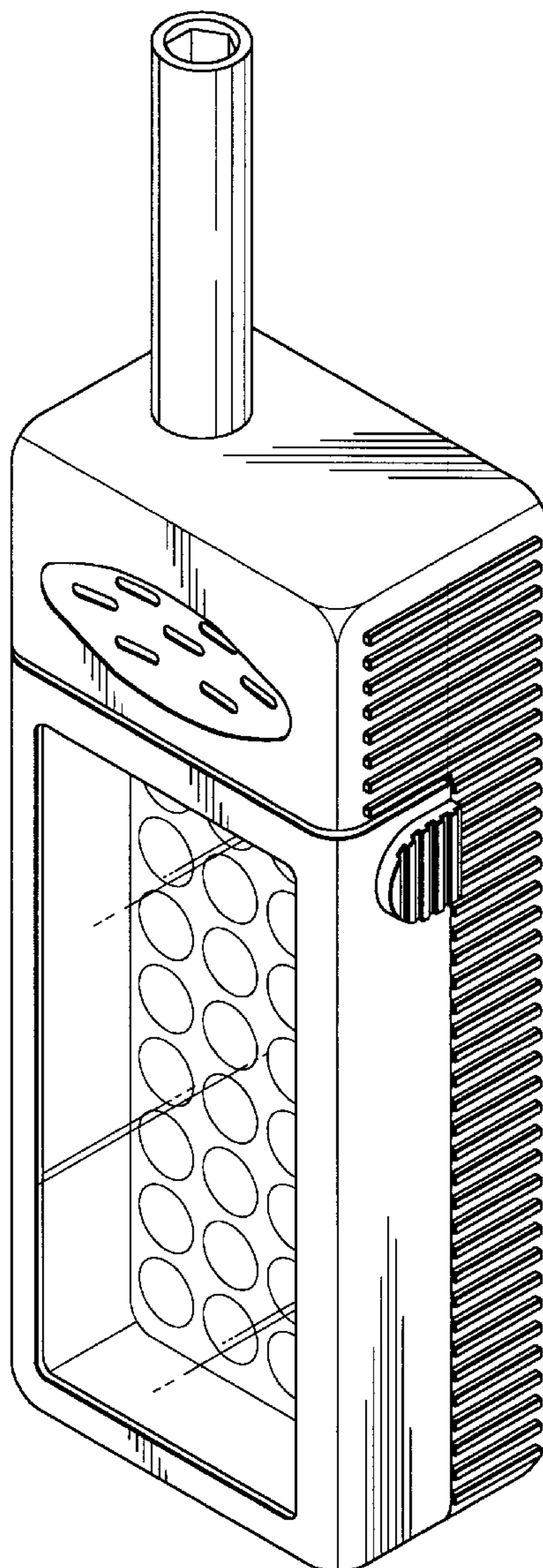
FIG. 6 is a top plan view thereof; and,

FIG. 7 is a bottom plan view thereof.

**U.S. PATENT DOCUMENTS**

- D. 300,431 3/1989 Sube et al. .... D14/138
- D. 331,498 12/1992 Chen ..... D8/83
- D. 400,775 11/1998 Hsu ..... D8/107

**1 Claim, 6 Drawing Sheets**



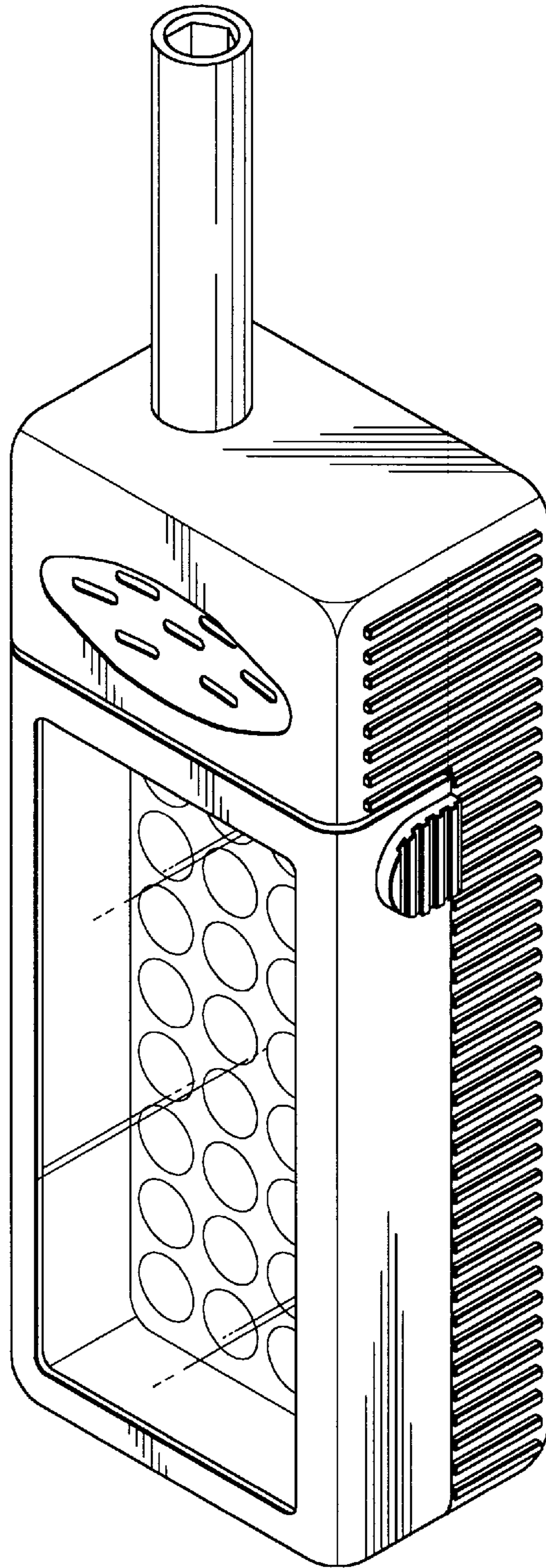


FIG. 1

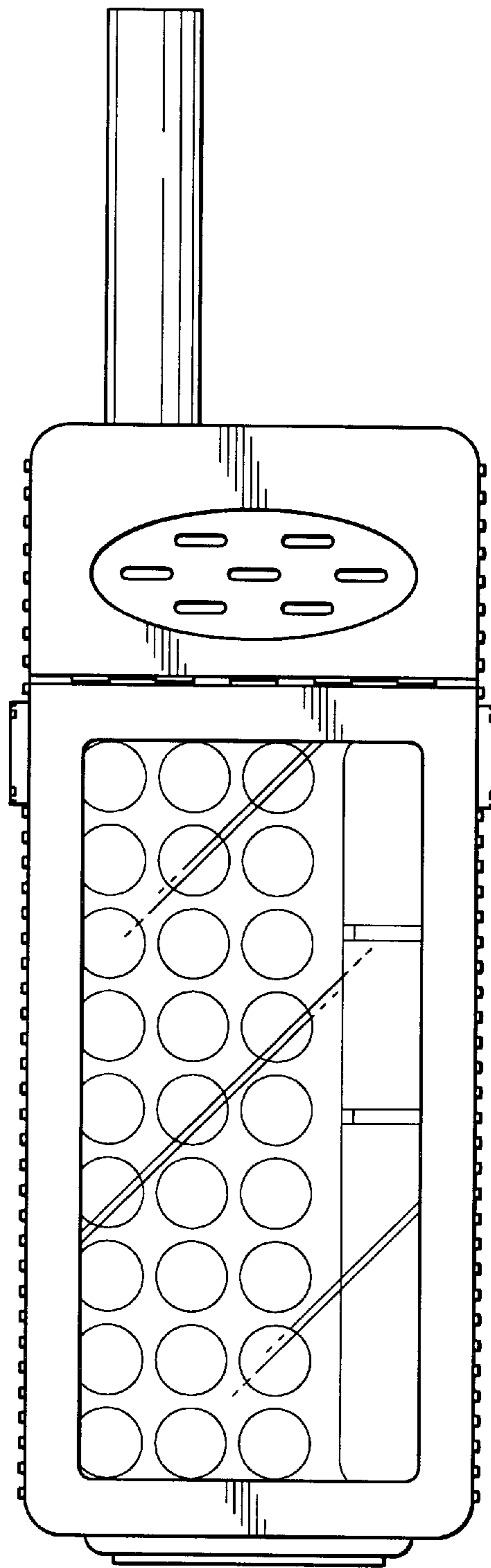


FIG. 2

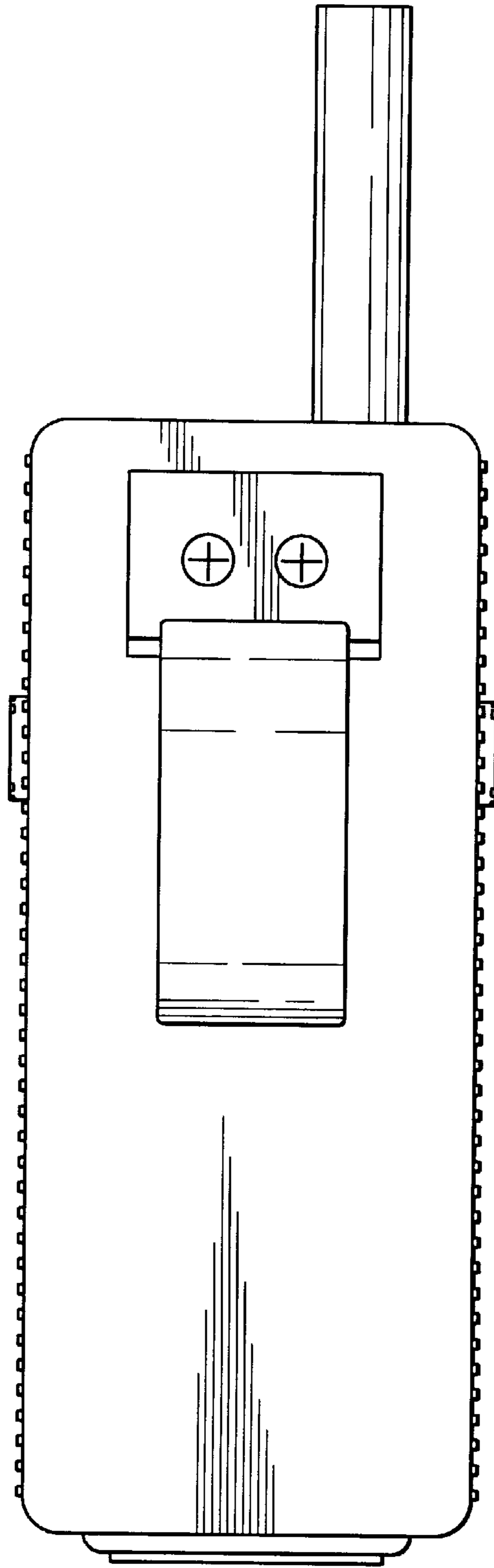


FIG. 3

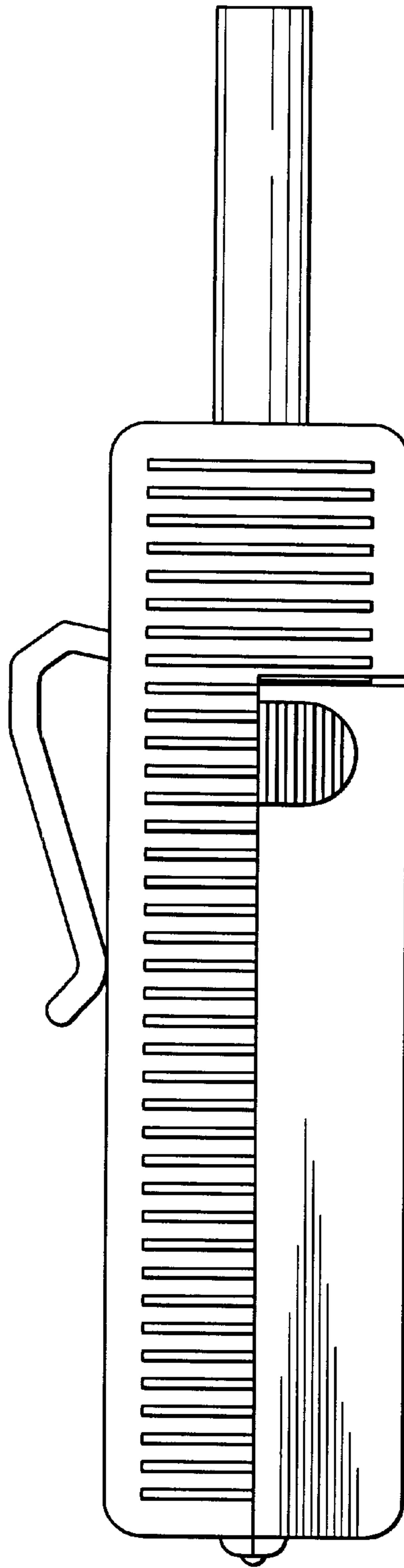


FIG. 4

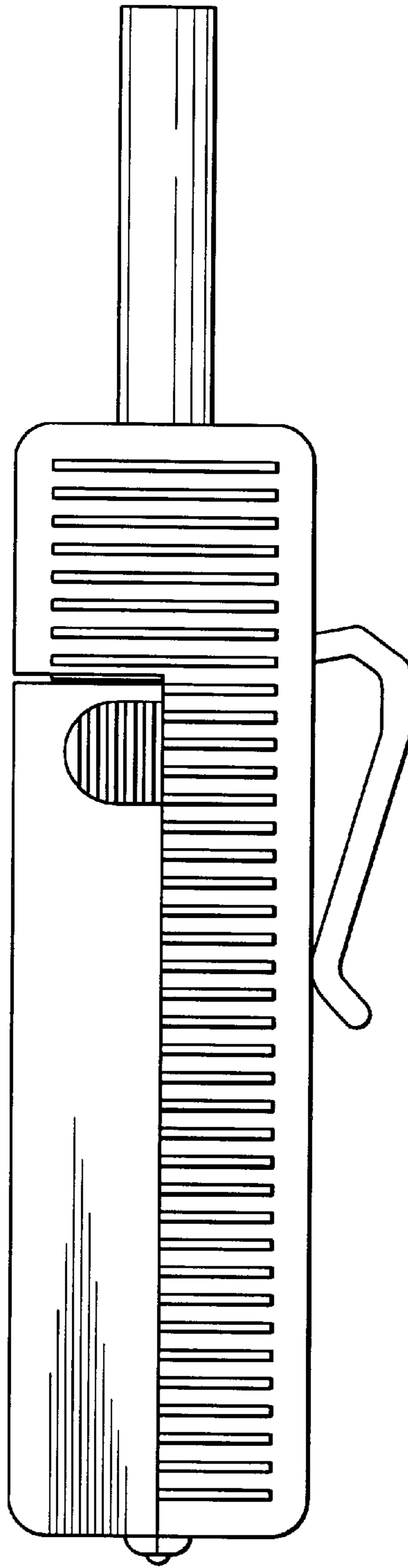


FIG. 5

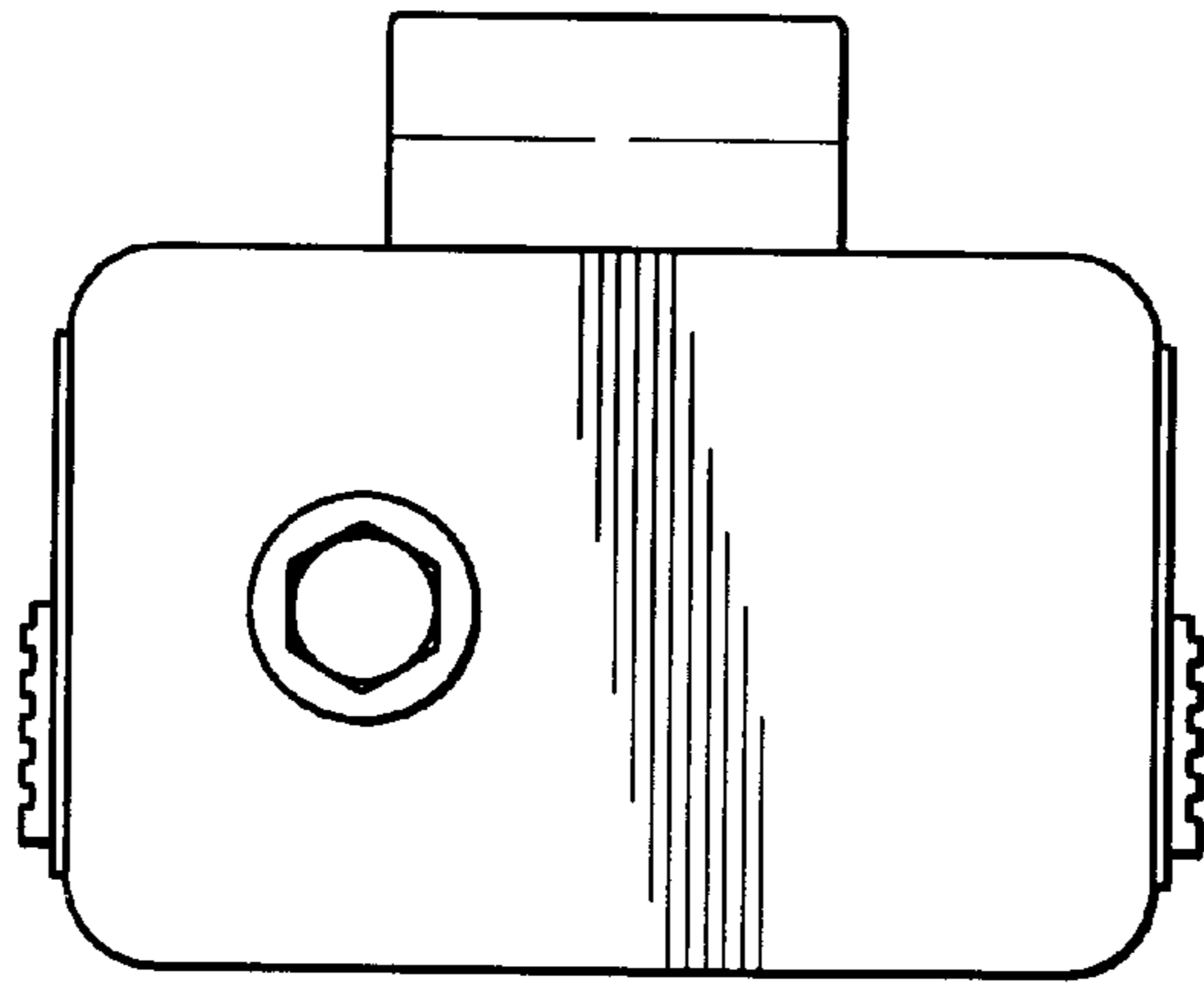


FIG. 6

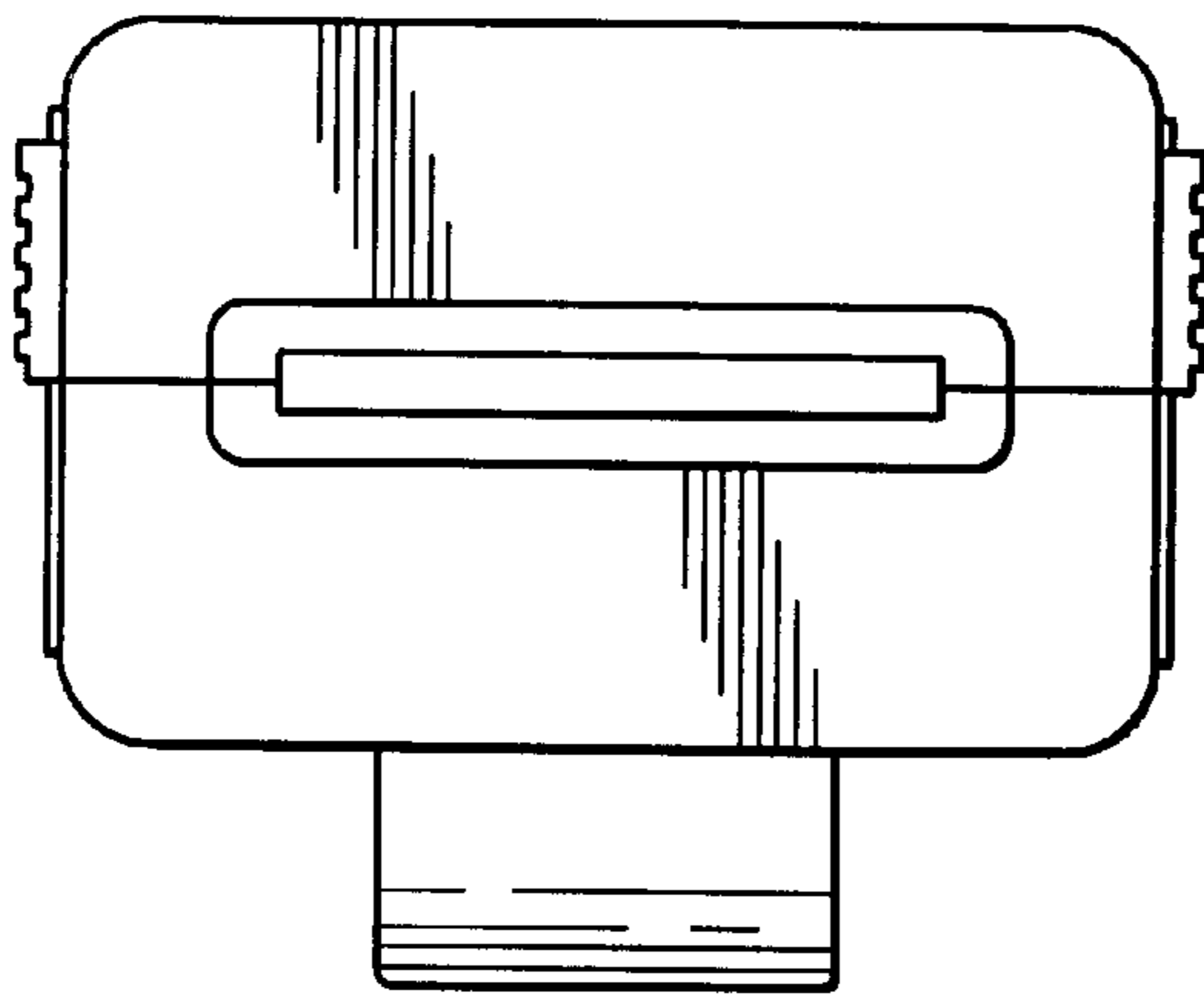


FIG. 7