



US00D416183S

United States Patent [19] Tyski

[11] **Patent Number: Des. 416,183**

[45] **Date of Patent: ** *Nov. 9, 1999**

[54] **SIDE CLAMP**

4,002,328 1/1977 Wolf et al. 269/246 X

[76] Inventor: **Wlodzimierz Mirosław Tyski**, 57
Edgebrook Estates, Apt. 12,
Cheektowaga, N.Y. 14227

Primary Examiner—Terry A. Wallace

[*] Notice: This patent is subject to a terminal disclaimer.

[57] **CLAIM**

The ornamental design for a side clamp, as shown and described.

[**] Term: **14 Years**

DESCRIPTION

[21] Appl. No.: **07/801,113**

FIG. 1 is a front elevational view of the side clamp showing my new design;

[22] Filed: **Dec. 2, 1991**

FIG. 2 is a rear elevational view thereof;

[51] **LOC (6) Cl.** **08-05**

FIG. 3 is a left side elevational view thereof;

[52] **U.S. Cl.** **D8/72**

FIG. 4 is a right side elevational view thereof;

[58] **Field of Search** D8/72; 269/204,
269/166, 169; 81/152

FIG. 5 is a top plan view thereof; and,

FIG. 6 is a bottom plan view thereof.

[56] **References Cited**

U.S. PATENT DOCUMENTS

D. 366,820 2/1996 Wooster, Jr. et al. D8/72

1 Claim, 3 Drawing Sheets

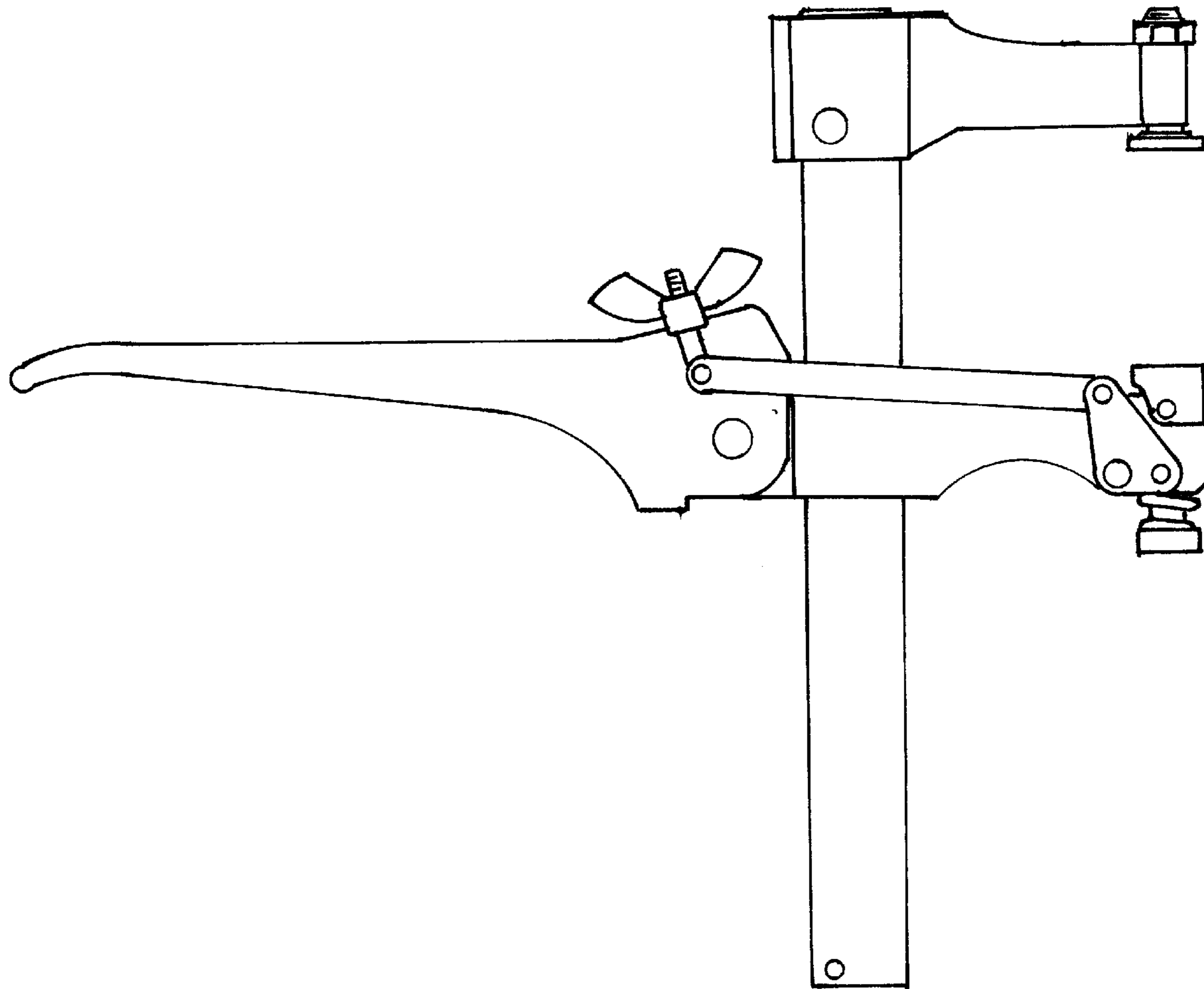


FIG. 1

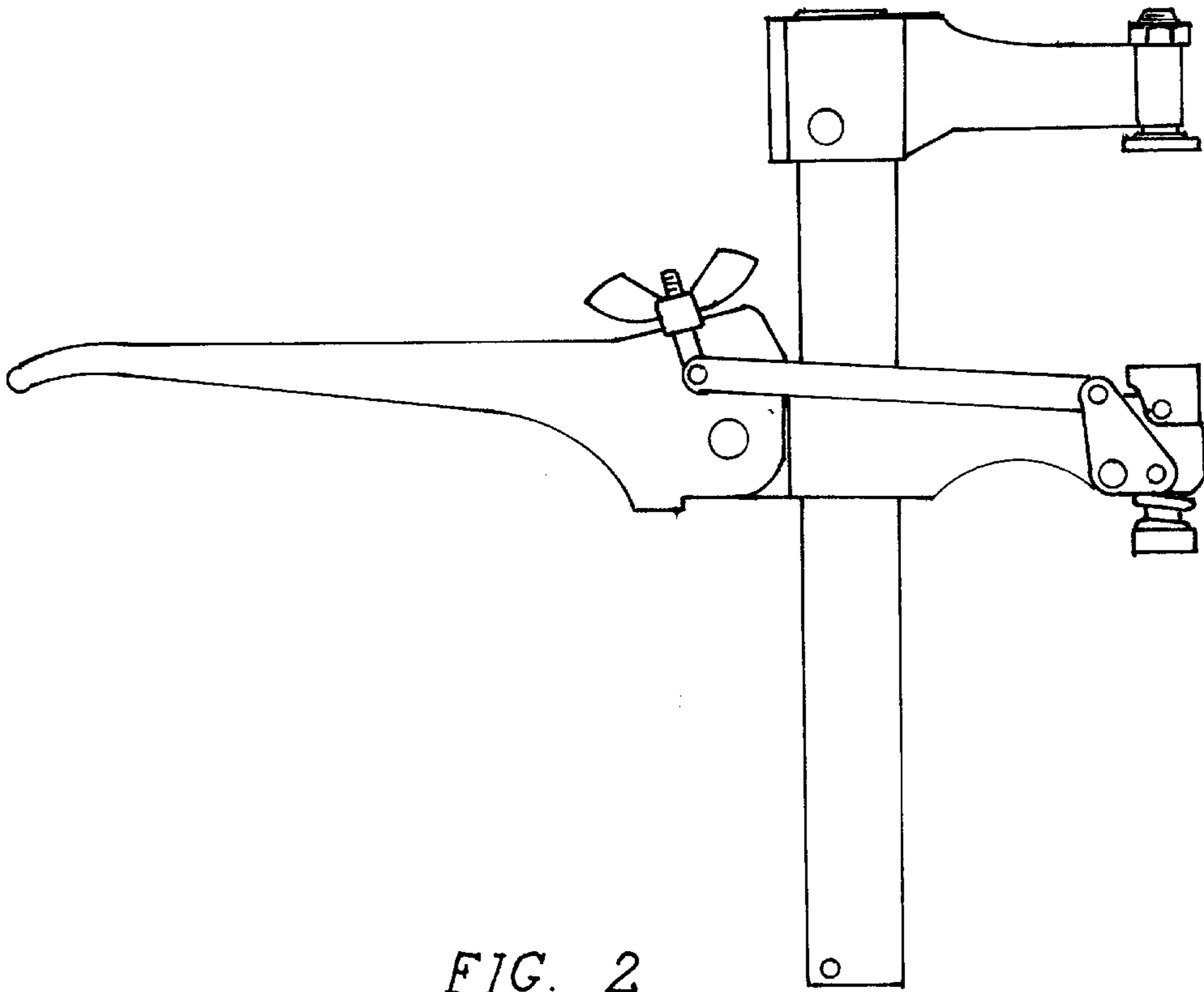


FIG. 2

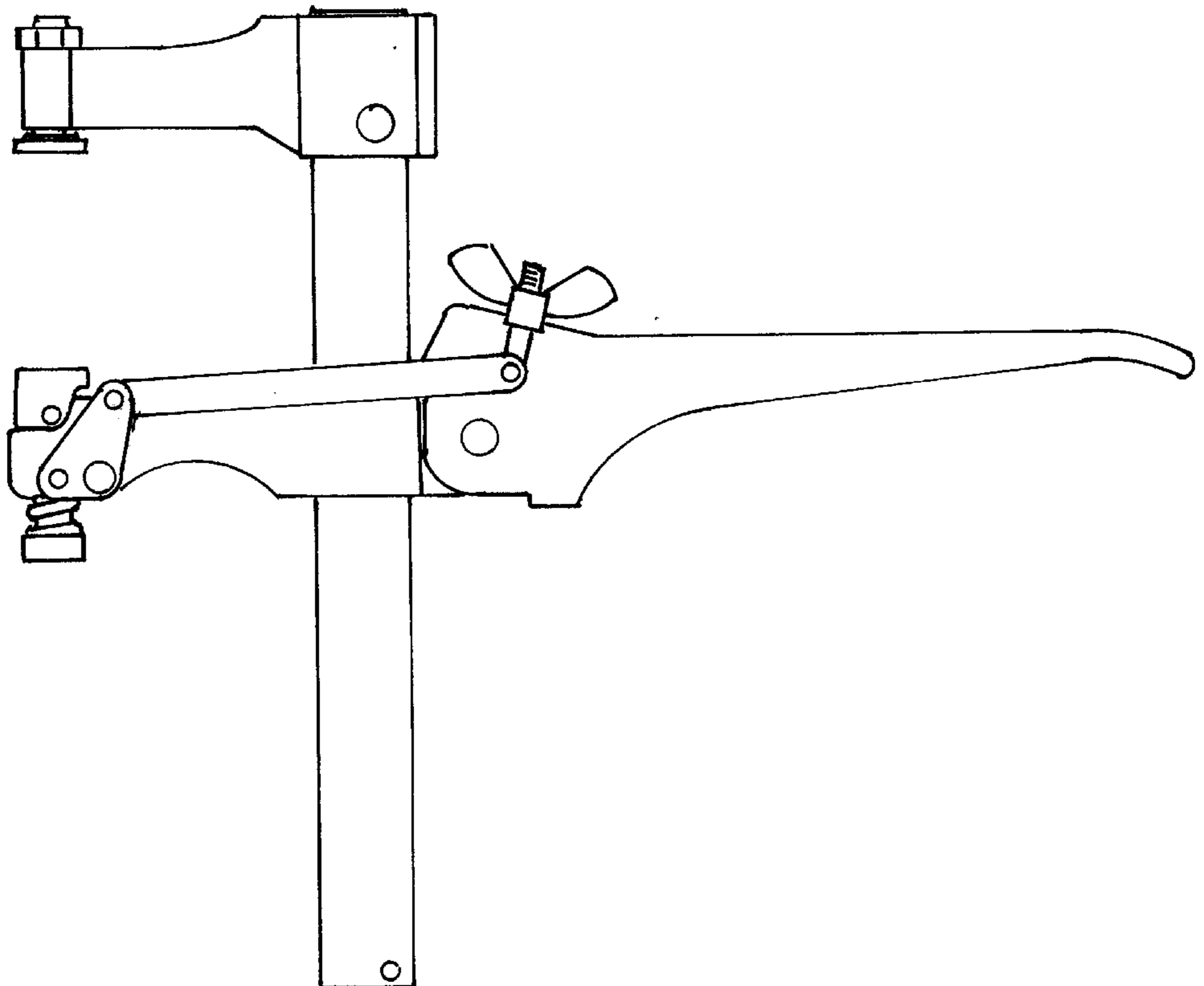


FIG. 3

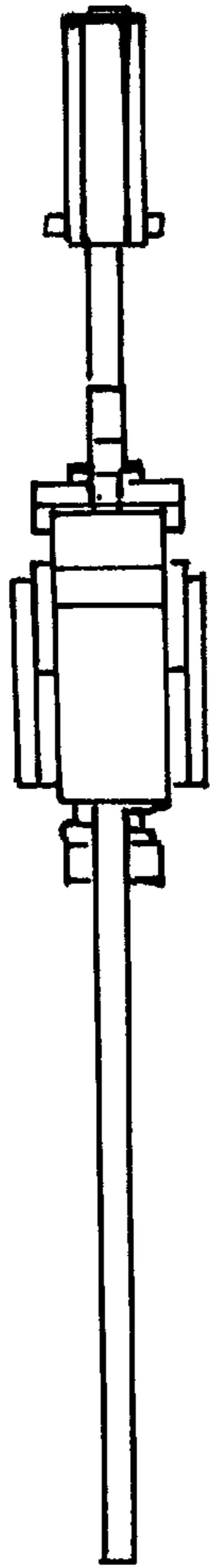


FIG. 4

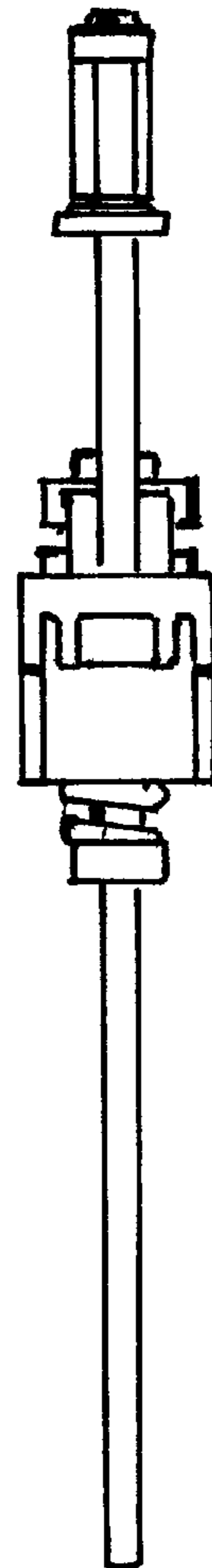


FIG. 5

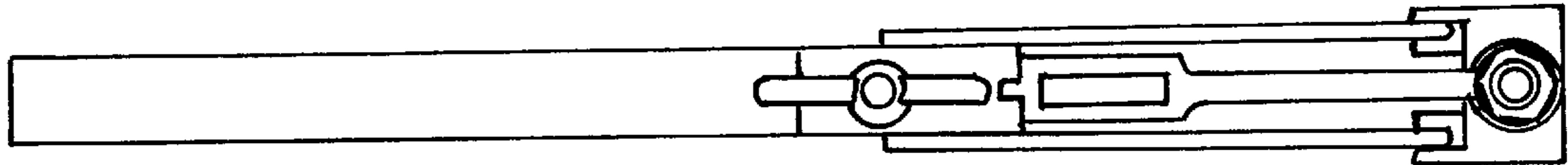


FIG. 6

