



US00D416182S

# United States Patent [19]

Kaiser et al.

[11] Patent Number: **Des. 416,182**

[45] Date of Patent: **\*\* Nov. 9, 1999**

[54] **NAILER**

[75] Inventors: **David Kaiser; William Hester**, both of Plainville, Conn.

[73] Assignee: **Stanley Fastening Systems, L.P.**, East Greenwich, R.I.

[\*\*] Term: **14 Years**

[21] Appl. No.: **29/092,227**

[22] Filed: **Aug. 14, 1998**

[51] **LOC (6) Cl.** ..... **08-05**

[52] **U.S. Cl.** ..... **D8/69**

[58] **Field of Search** ..... D8/61, 67-70, D8/49; 227/5-10, 120, 130-1

[56] **References Cited**

**U.S. PATENT DOCUMENTS**

- D. 219,259 11/1970 Perkins ..... D8/61
- D. 260,354 8/1981 Proops et al. .... D8/61
- D. 332,561 1/1993 Fushiya et al. .... D8/69

- D. 338,606 8/1993 Oda ..... D8/69
- D. 377,590 1/1997 Lai ..... D8/68
- D. 383,658 9/1997 Kaiser ..... D8/69
- 3,253,760 5/1966 Doyle et al. .
- 3,776,445 12/1973 Pomeroy ..... 227/130
- 4,323,127 4/1982 Cunningham ..... 173/53
- 4,858,811 8/1989 Brosius et al. .... 227/10

*Primary Examiner*—Nelson C. Holtje  
*Attorney, Agent, or Firm*—Pillsbury Madison & Sutro LLP

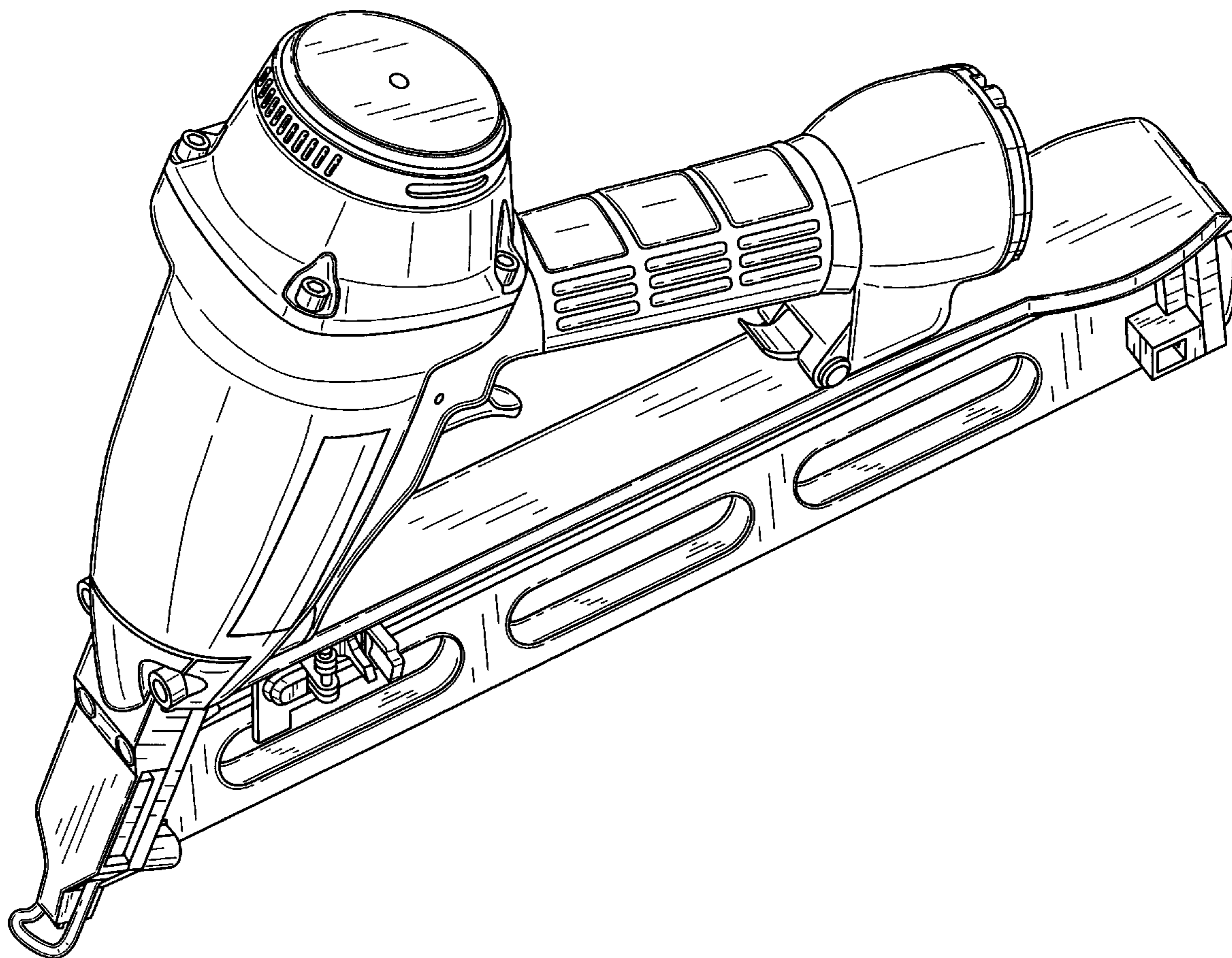
[57] **CLAIM**

The ornamental design for a nailer, as shown and described.

**DESCRIPTION**

FIG. 1 is a perspective view of a nailer showing our new design, looking down onto the front and left side thereof; FIG. 2 is a left side elevational view thereof; FIG. 3 is a right side elevational view thereof; FIG. 4 is a front elevational view thereof; FIG. 5 is a rear end view thereof; FIG. 6 is a top plan view thereof; and, FIG. 7 is a bottom plan view thereof.

**1 Claim, 7 Drawing Sheets**



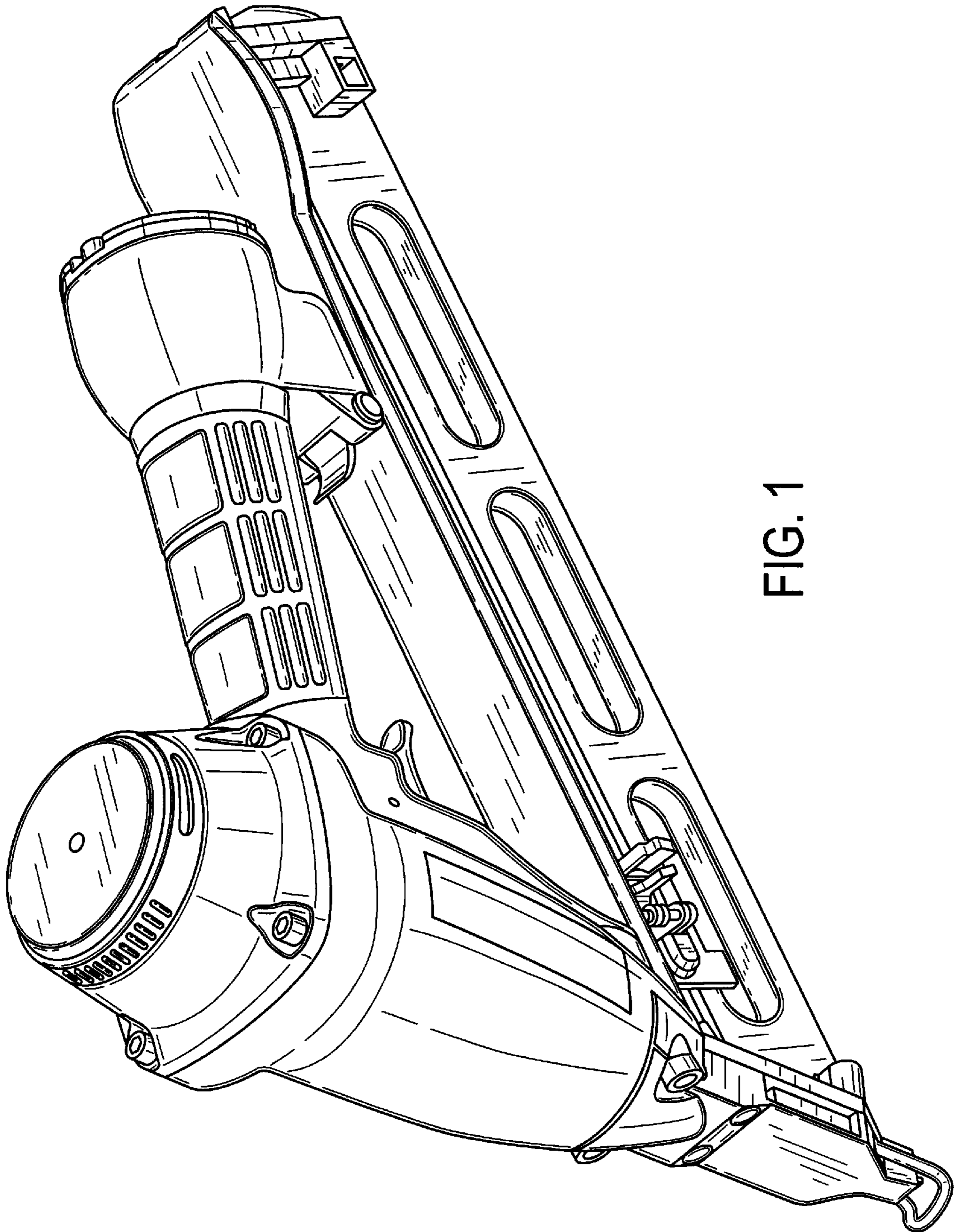


FIG. 1

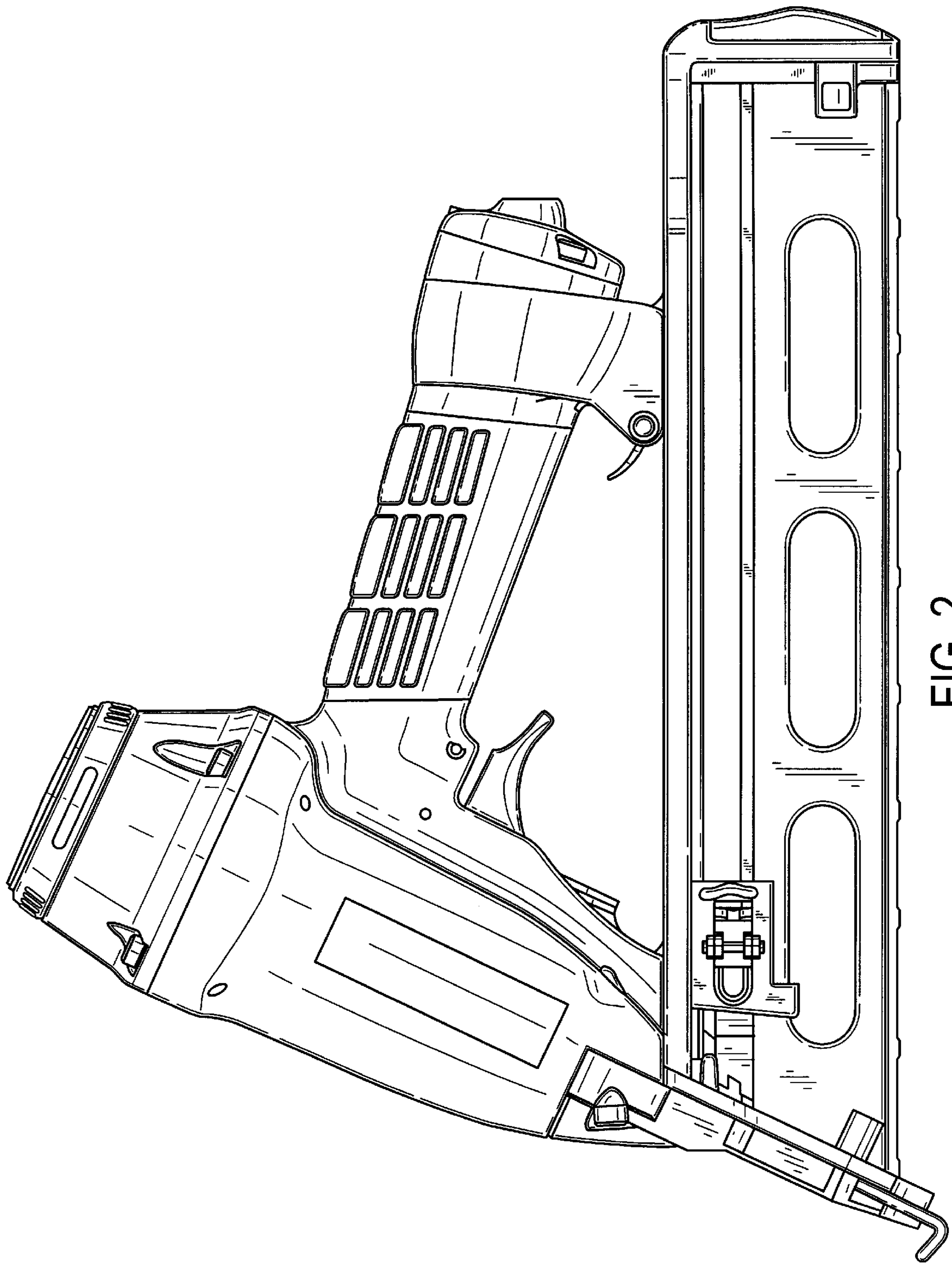


FIG. 2

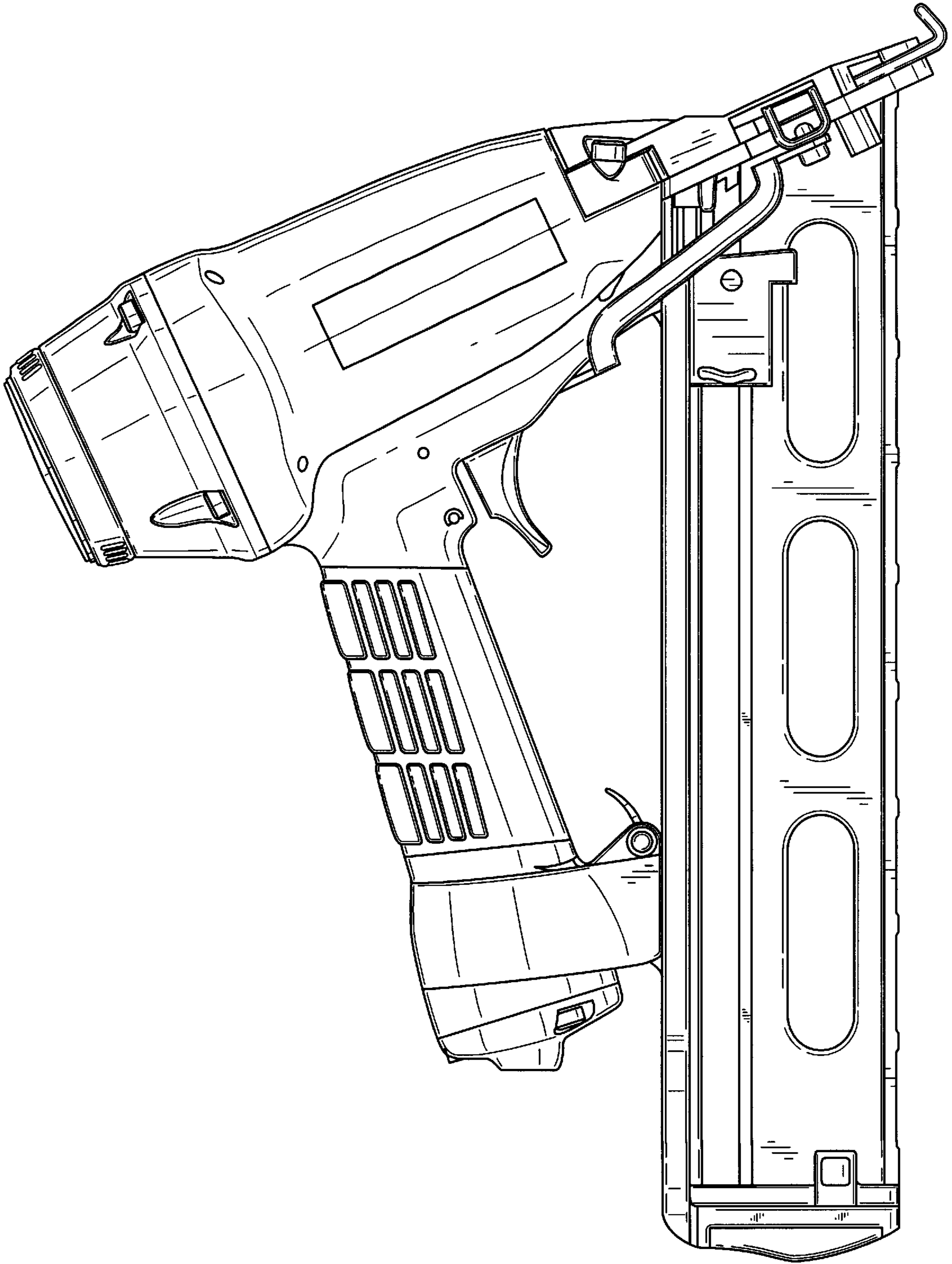


FIG. 3

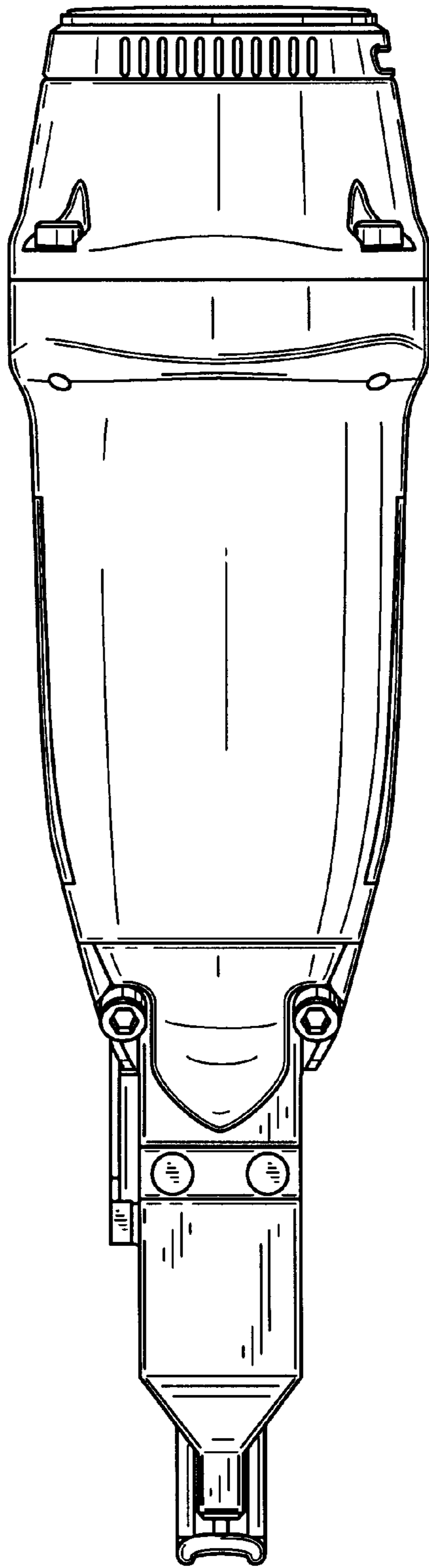


FIG. 4

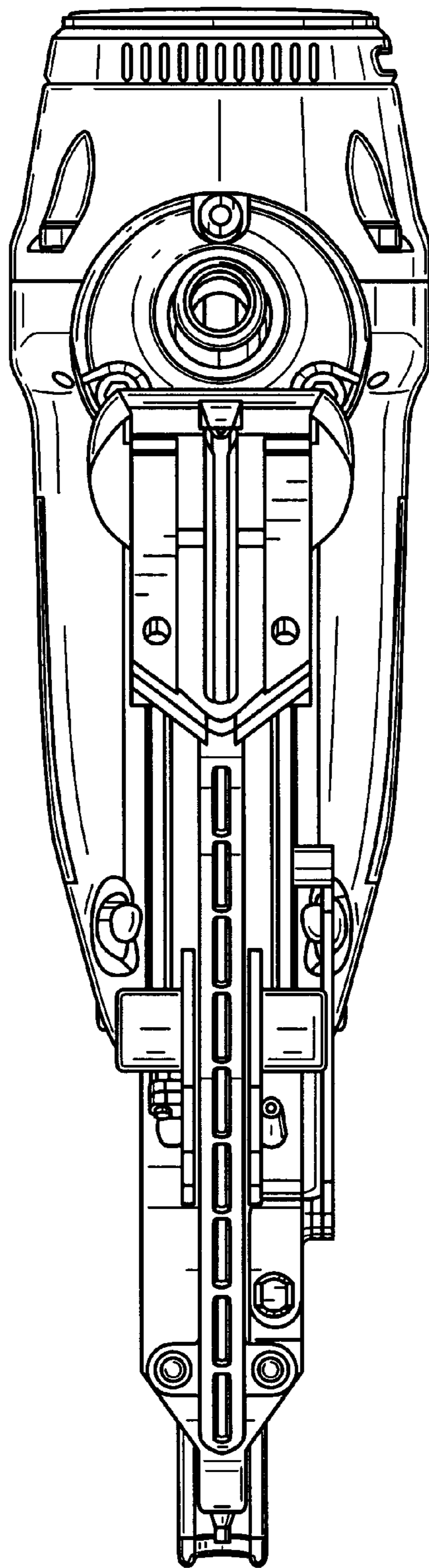


FIG. 5

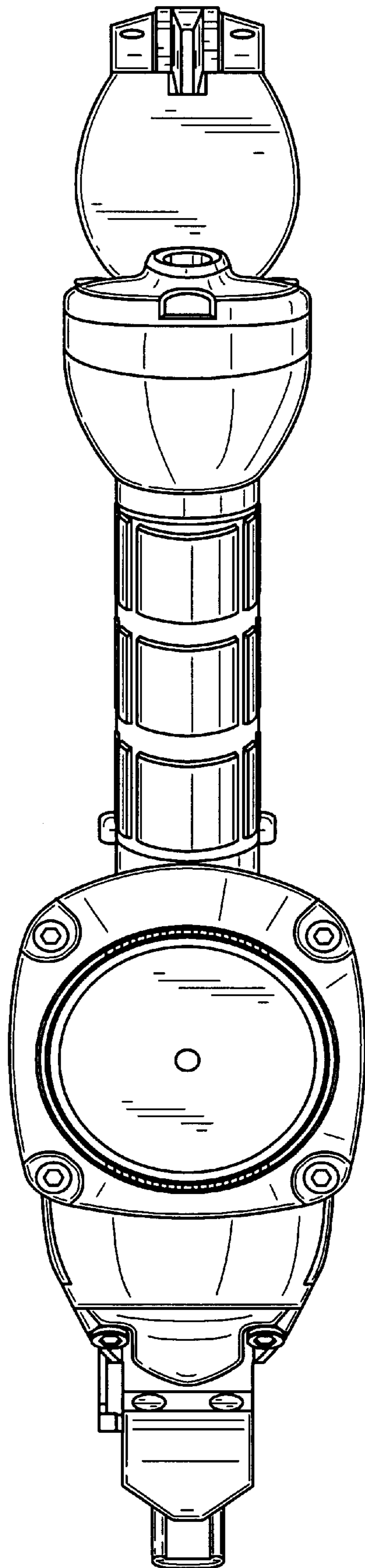


FIG. 6

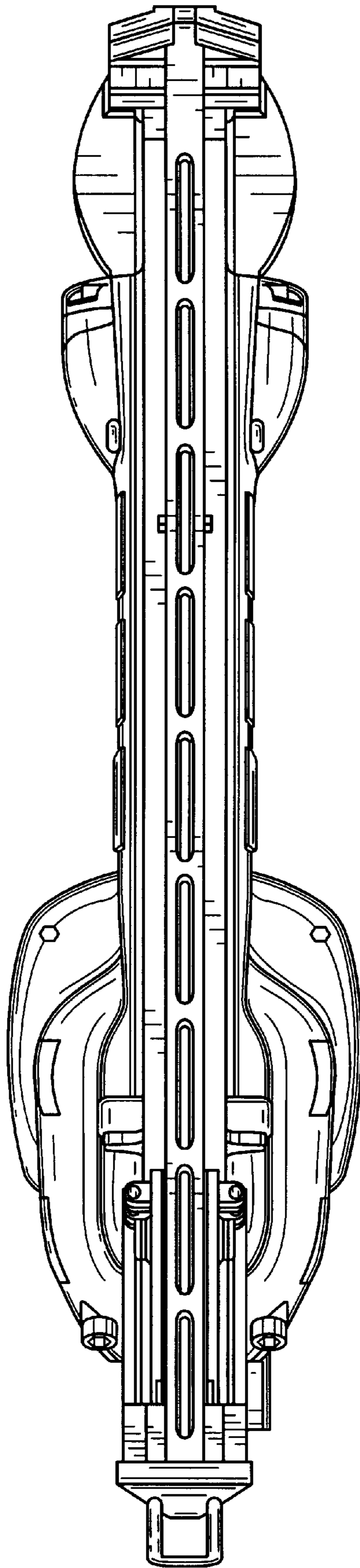


FIG. 7