



US00D416181S

# United States Patent [19] Chung

[11] Patent Number: **Des. 416,181**

[45] Date of Patent: **\*\* Nov. 9, 1999**

[54] **CIRCULAR SAW**

D. 400,772 11/1998 Gallagher et al. .... D8/66  
D. 408,248 4/1999 Zurwelle ..... D8/66

[76] Inventor: **Lee Hsin-Chih Chung**, No.  
21-8, ShangSanChoWoo, Wuchang Li,  
ChungLi City, TaoYuan Hsine, Taiwan

*Primary Examiner*—Nelson C. Holtje  
*Attorney, Agent, or Firm*—Ostrolenk, Faber, Gerb & Soffen,  
LLP

[\*\*] Term: **14 Years**

### [57] CLAIM

[21] Appl. No.: **29/099,858**

The ornamental design for circular saw, as shown and described.

[22] Filed: **Jan. 29, 1999**

[51] **LOC (6) Cl.** ..... **08-03**

[52] **U.S. Cl.** ..... **D8/66**

[58] **Field of Search** ..... D8/64-69; 30/376-377,  
30/388-391, DIG. 1

### DESCRIPTION

### [56] References Cited

#### U.S. PATENT DOCUMENTS

D. 329,363 9/1992 Sasaki et al. .... D8/66  
D. 332,735 1/1993 Fushiya et al. .... D8/66  
D. 363,656 10/1995 Gierke ..... D8/66  
D. 378,488 3/1997 Ito et al. .... D8/66

FIG. 1 is a perspective view of circular saw showing my new design;

FIG. 2 is front elevation view thereof;

FIG. 3 is rear elevation view thereof;

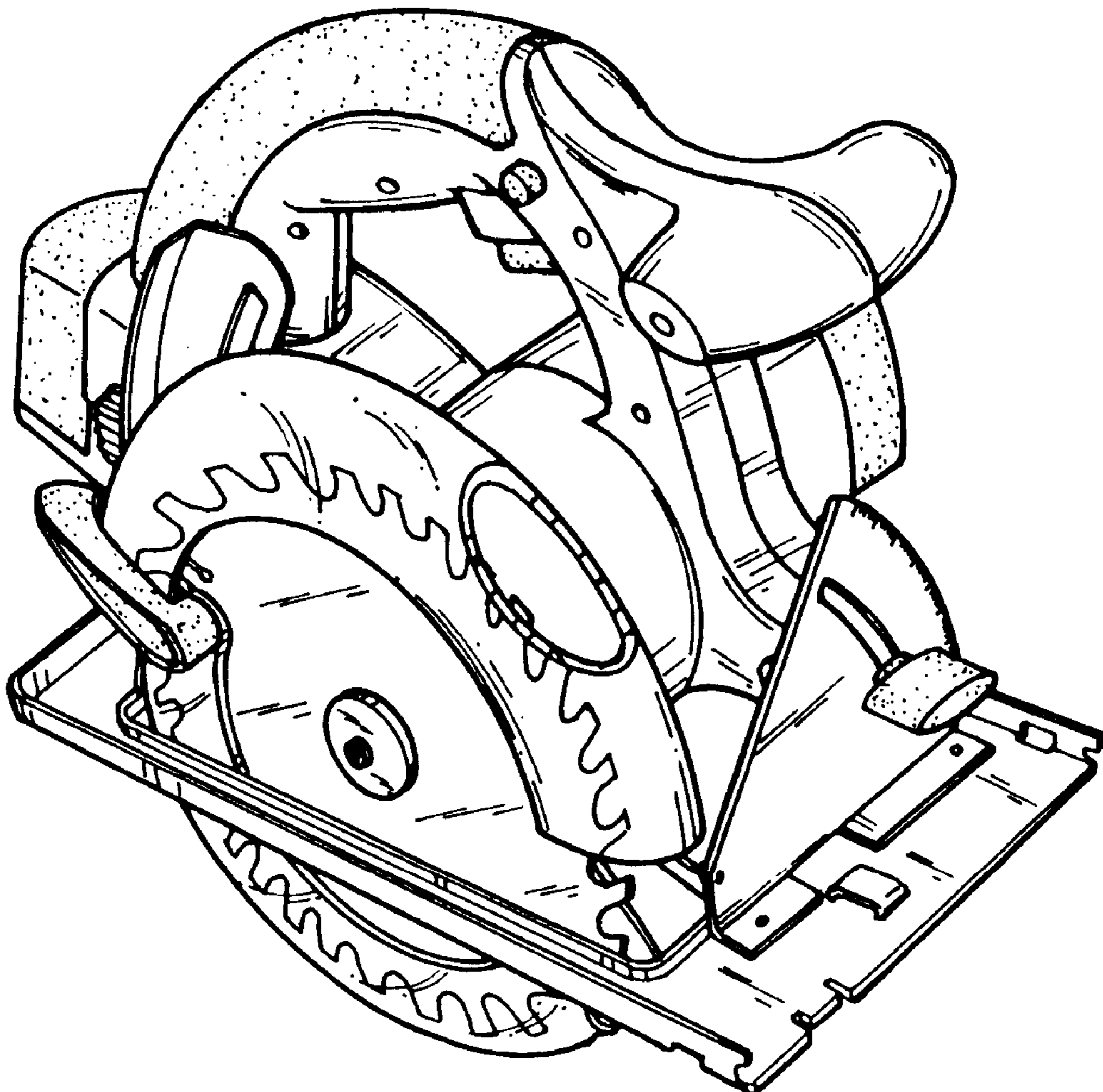
FIG. 4 is left side elevation view thereof;

FIG. 5 is a right side elevation view thereof;

FIG. 6 is a top view thereof; and,

FIG. 7 is a bottom view thereof.

**1 Claim, 7 Drawing Sheets**



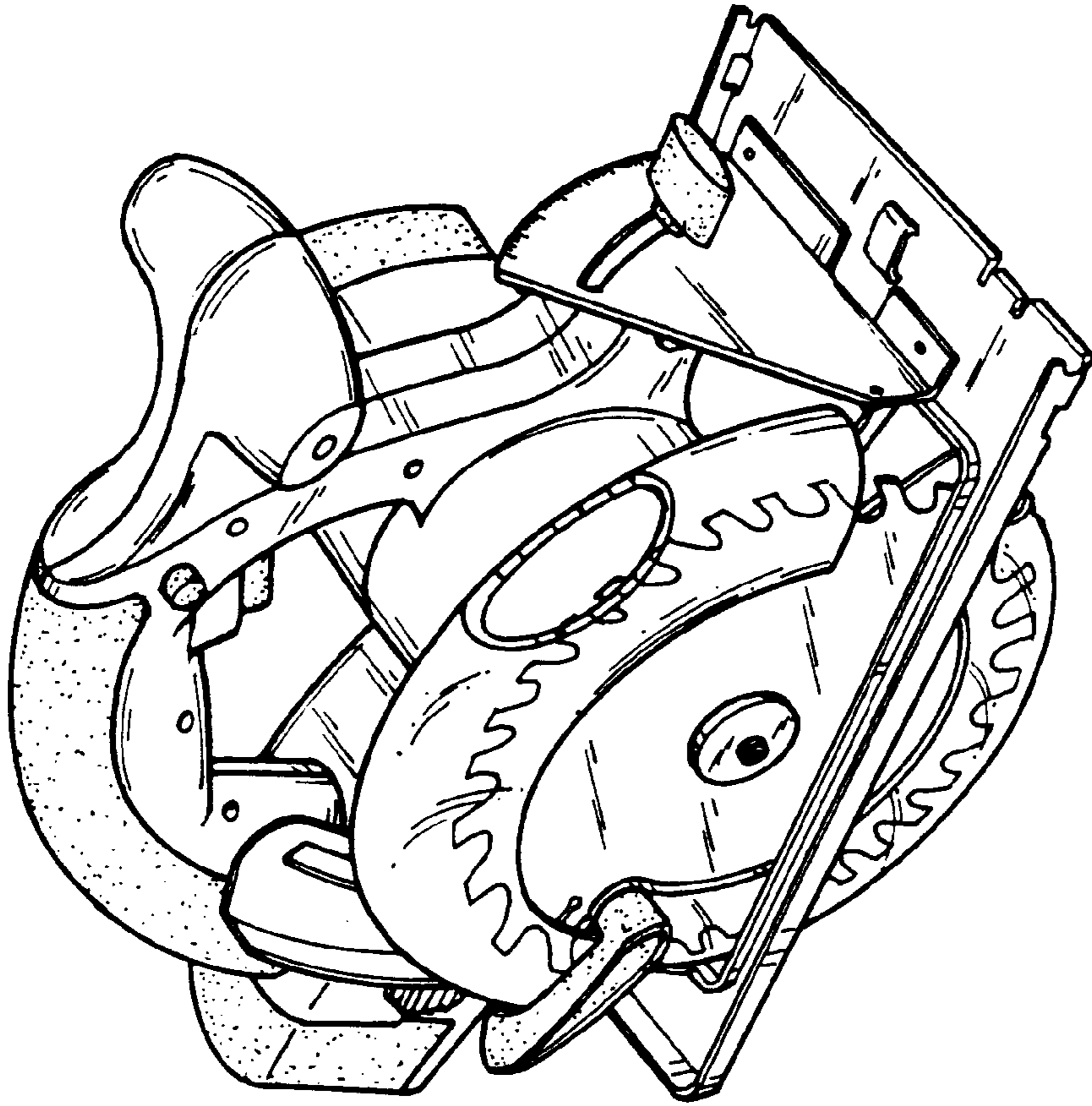


FIG. 1

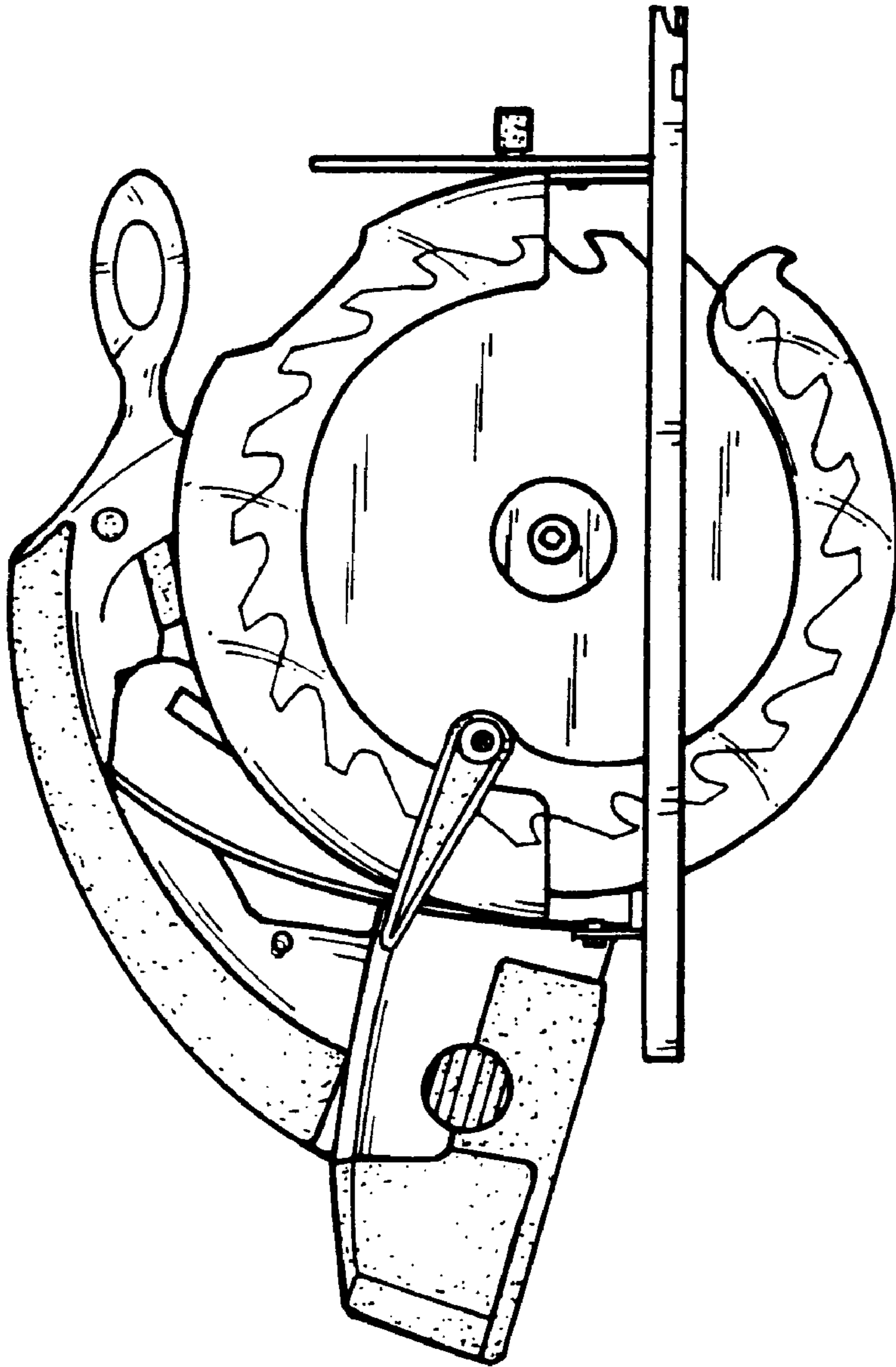


FIG. 2

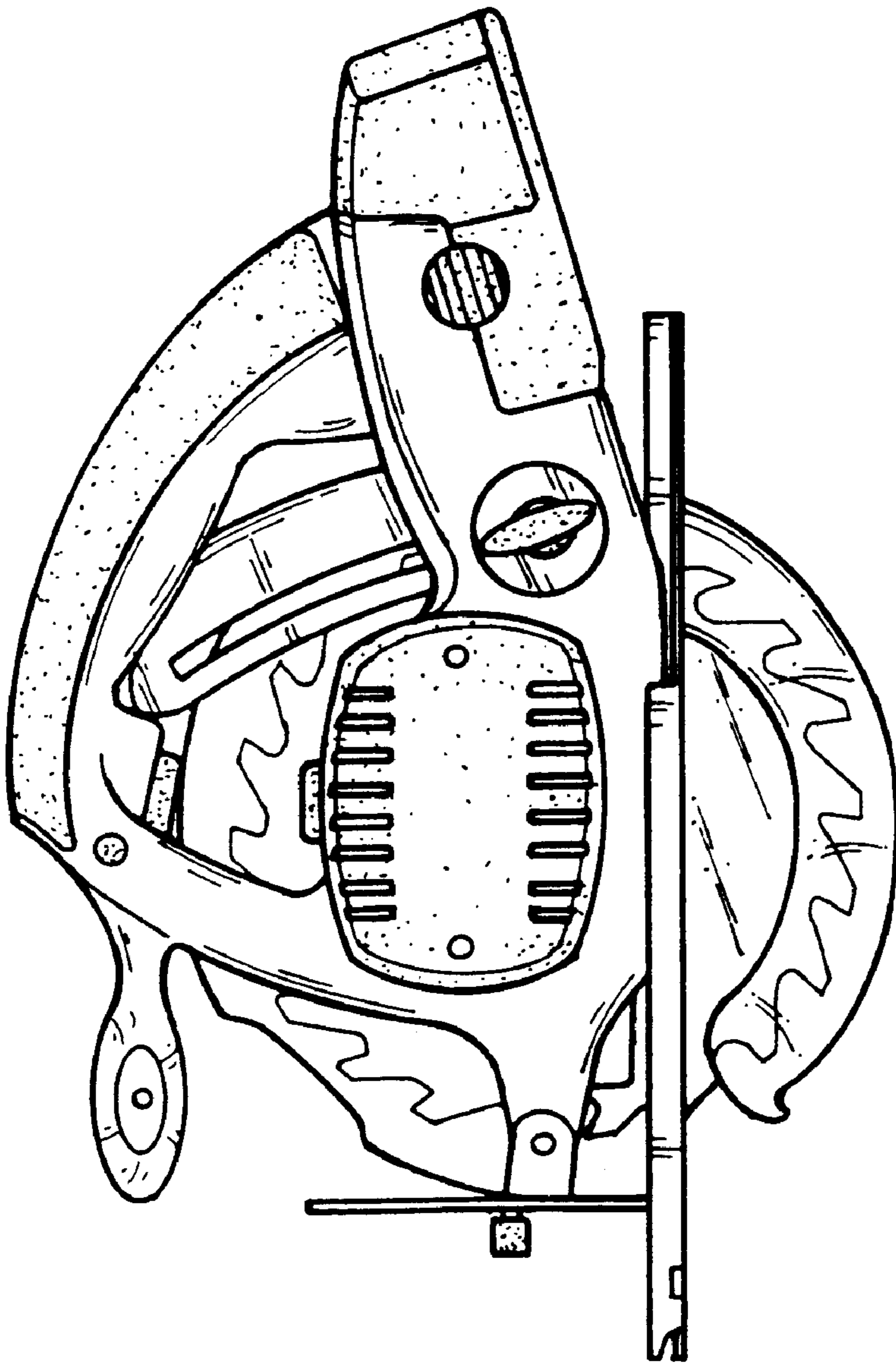


FIG. 3

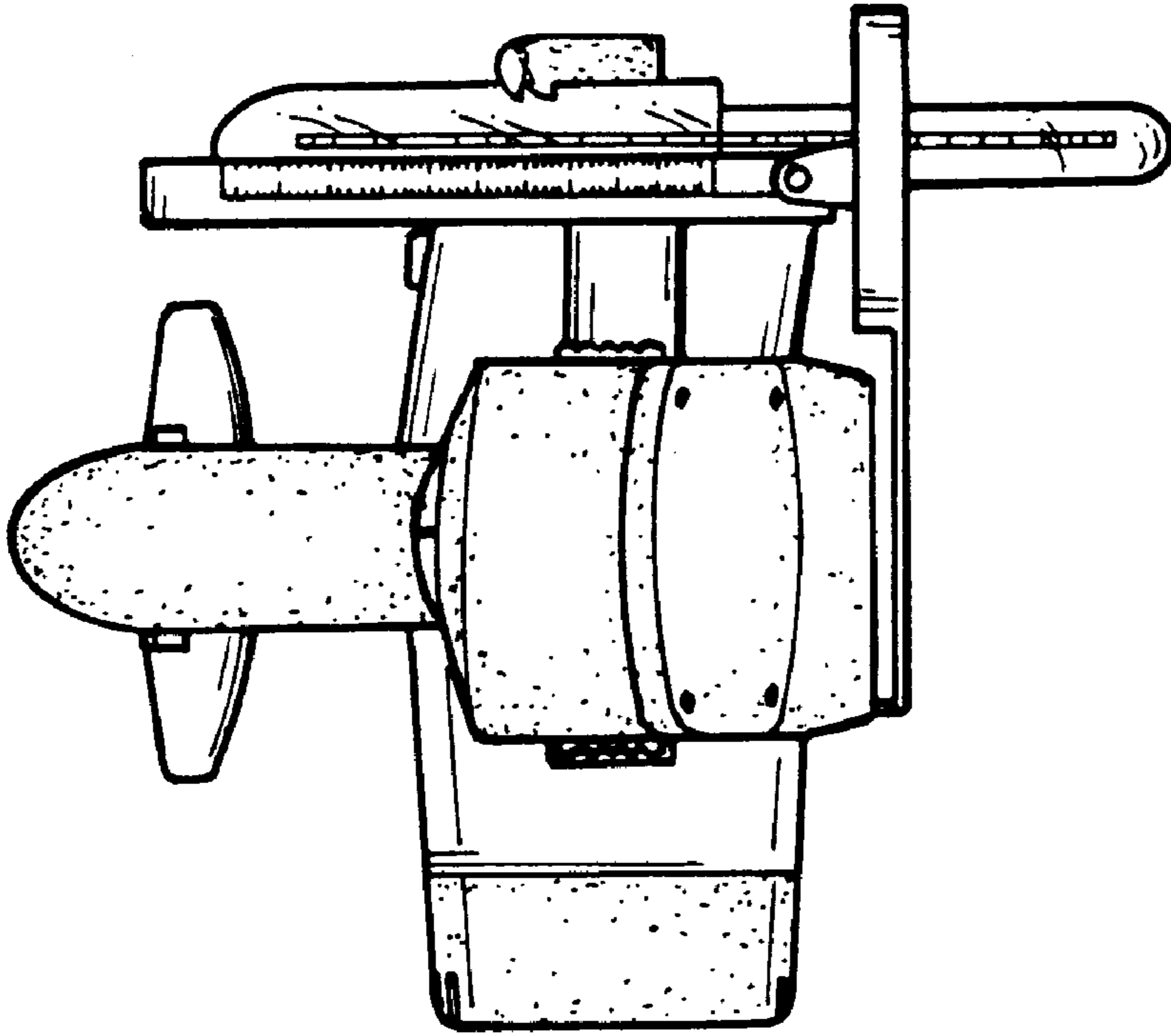


FIG. 4

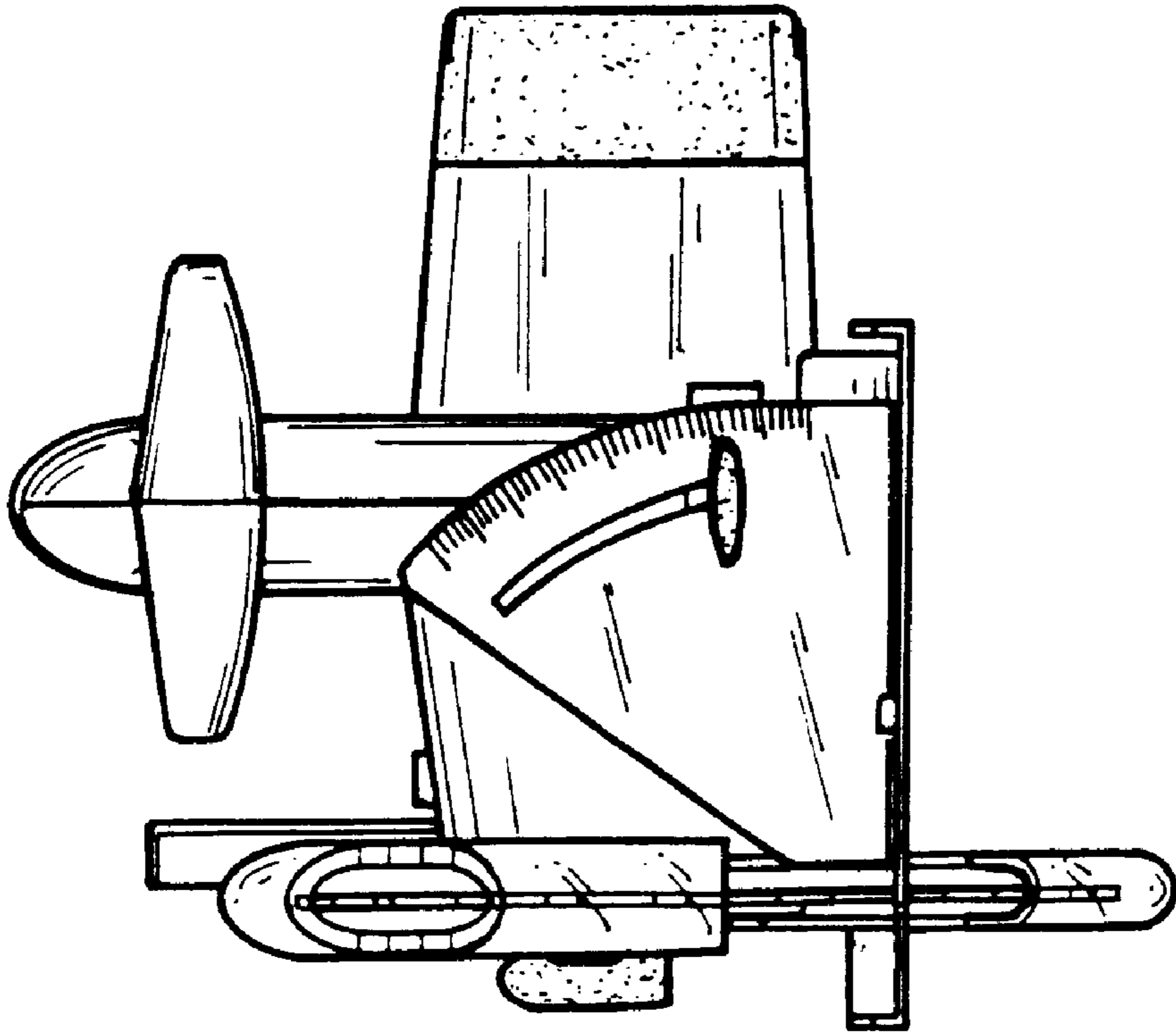


FIG. 5

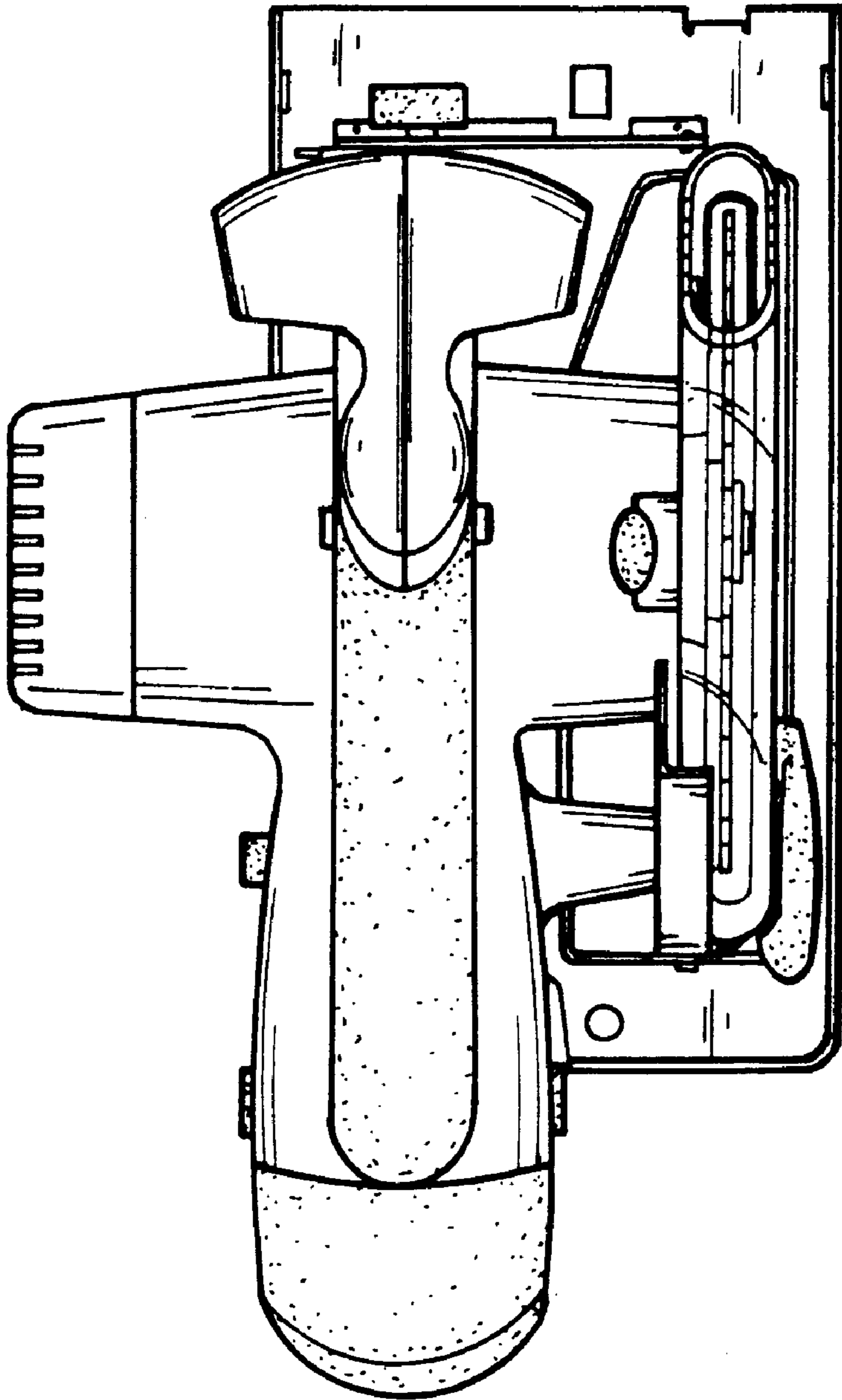


FIG. 6

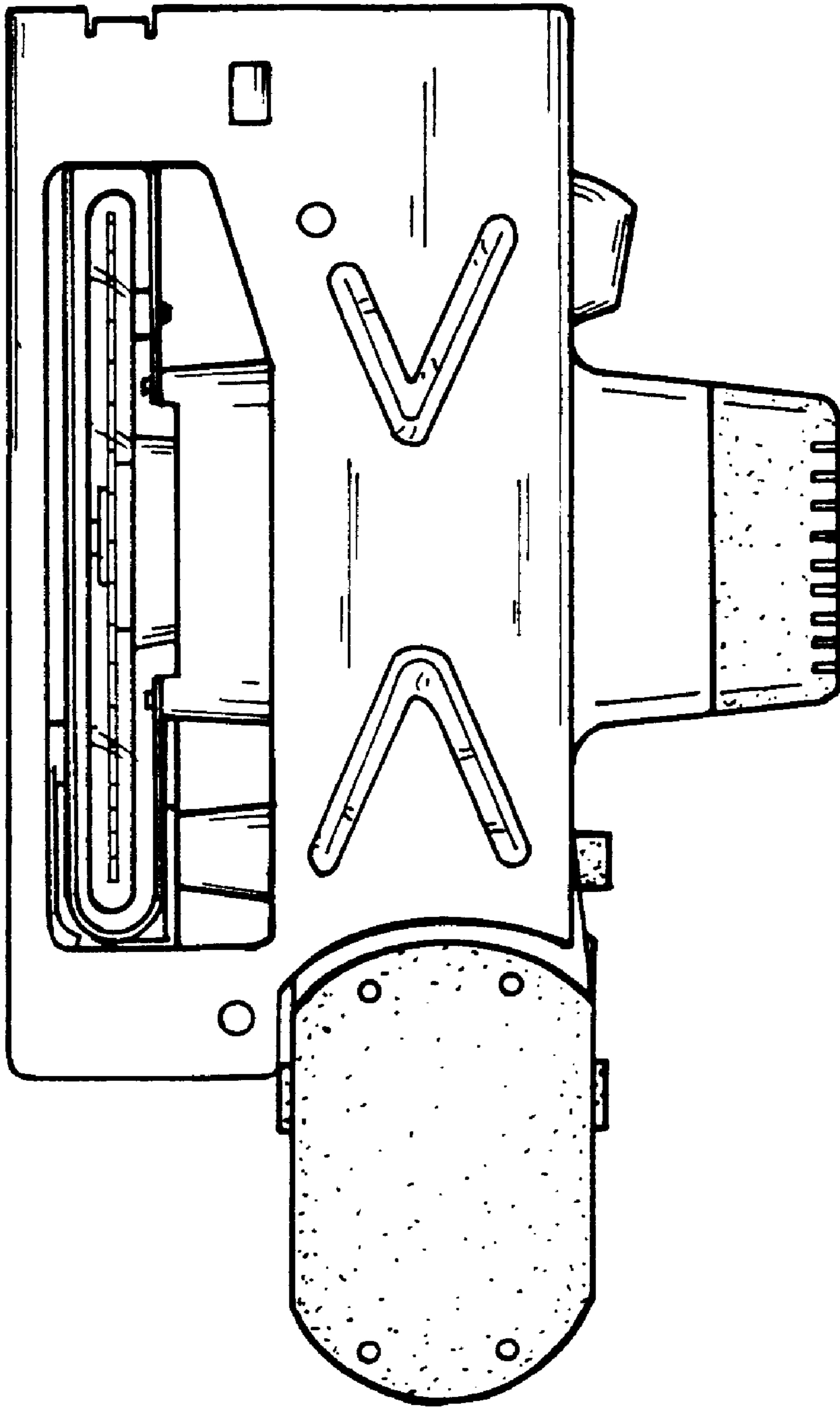


FIG. 7