



US00D416179S

# United States Patent [19]

Staton et al.

[11] **Patent Number: Des. 416,179**

[45] **Date of Patent: \*\* Nov. 9, 1999**

[54] **SELF-ADJUSTING GROOVE JOINT PLIER**

4,603,607 8/1986 Schaffner, Jr. .... 81/416  
5,809,853 9/1998 Hudson ..... 81/427.5

[75] Inventors: **John Staton**, Bristol; **John D. Howard**, Woodbury, both of Conn.

*Primary Examiner*—Alan P. Douglas  
*Assistant Examiner*—Reid Hecker  
*Attorney, Agent, or Firm*—Pillsbury Madison & Sutro LLP

[73] Assignee: **The Stanley Works**, New Britain, Conn.

[57] **CLAIM**

[\*\*] Term: **14 Years**

The ornamental design for a self-adjusting groove joint plier, as shown and described.

[21] Appl. No.: **29/092,236**

[22] Filed: **Aug. 14, 1998**

**DESCRIPTION**

[51] **LOC (6) Cl.** ..... **08-05**

[52] **U.S. Cl.** ..... **D8/52**

[58] **Field of Search** ..... D8/51, 52, 58;  
81/385, 386, 391, 405, 407-409, 411, 415-417,  
427.5

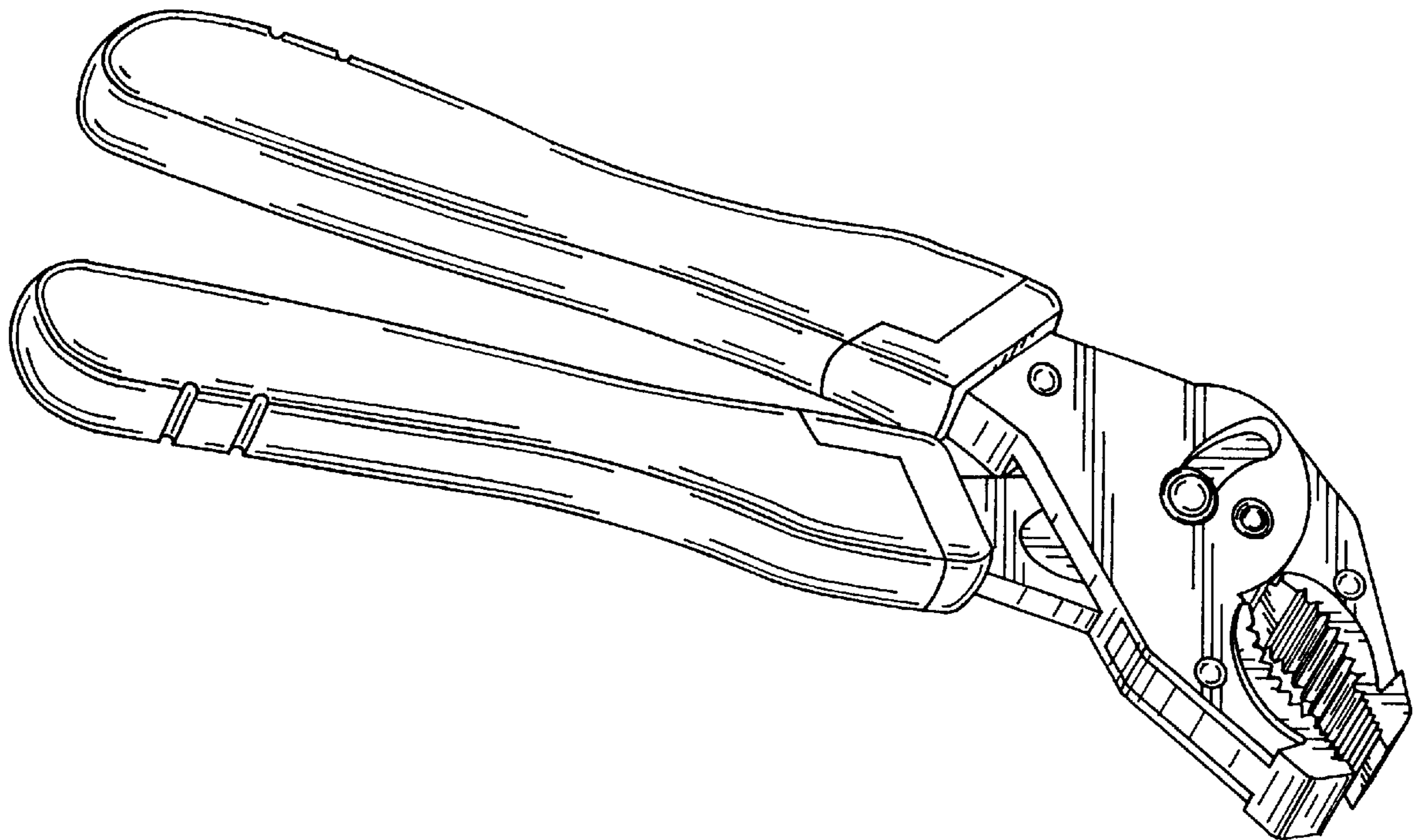
FIG. 1 is a perspective view of a self-adjusting groove joint plier showing our new design, looking upwardly at the bottom and right side thereof;  
FIG. 2 is a left side elevational view thereof;  
FIG. 3 is a right side elevational view thereof;  
FIG. 4 is a top plan view thereof;  
FIG. 5 is a bottom plan view thereof;  
FIG. 6 is a rear elevational view thereof; and,  
FIG. 7 is a front elevational view thereof.

[56] **References Cited**

**U.S. PATENT DOCUMENTS**

D. 343,779 2/1994 Imhoff ..... D8/52  
2,557,296 6/1951 Kress ..... 81/416

**1 Claim, 2 Drawing Sheets**



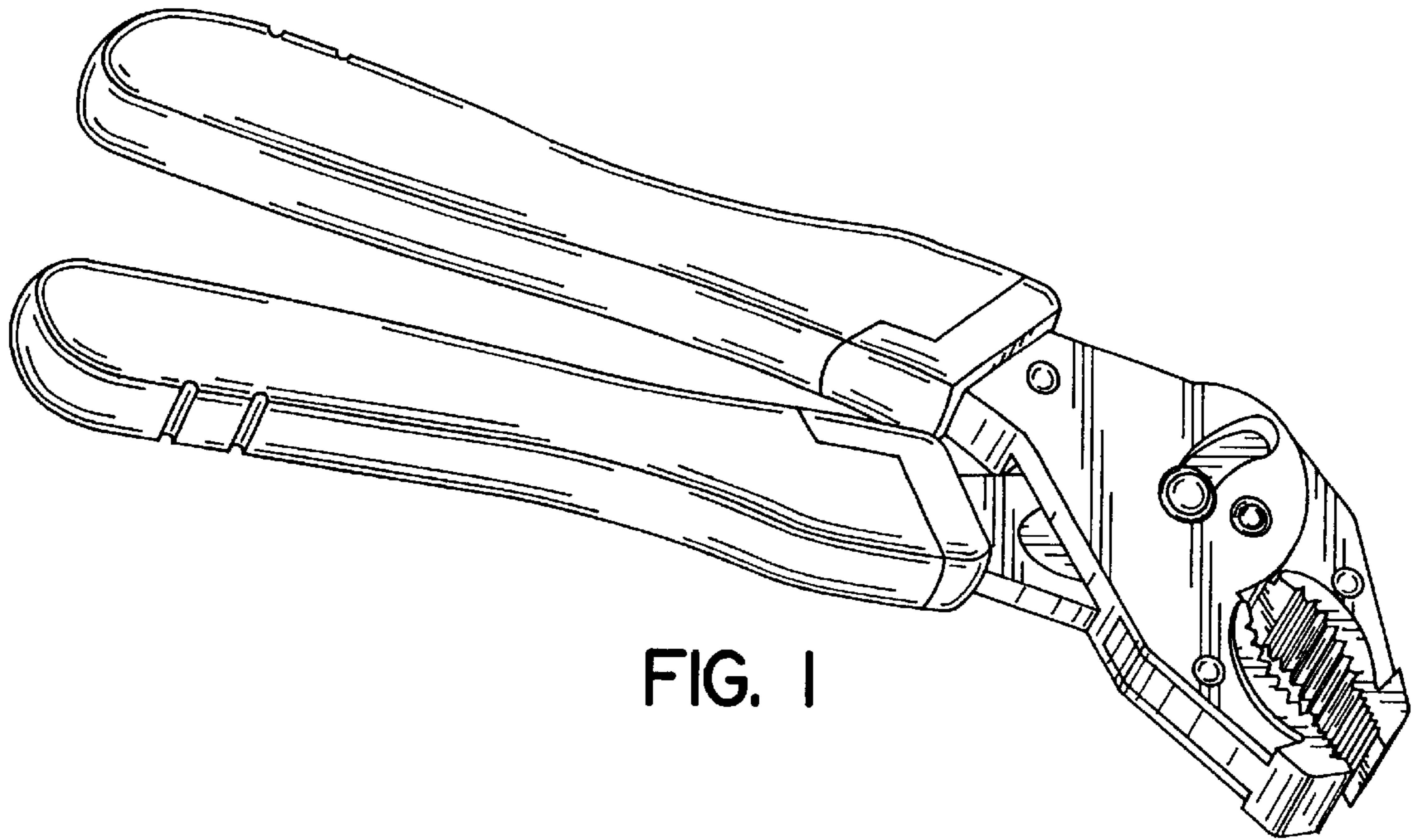


FIG. 1

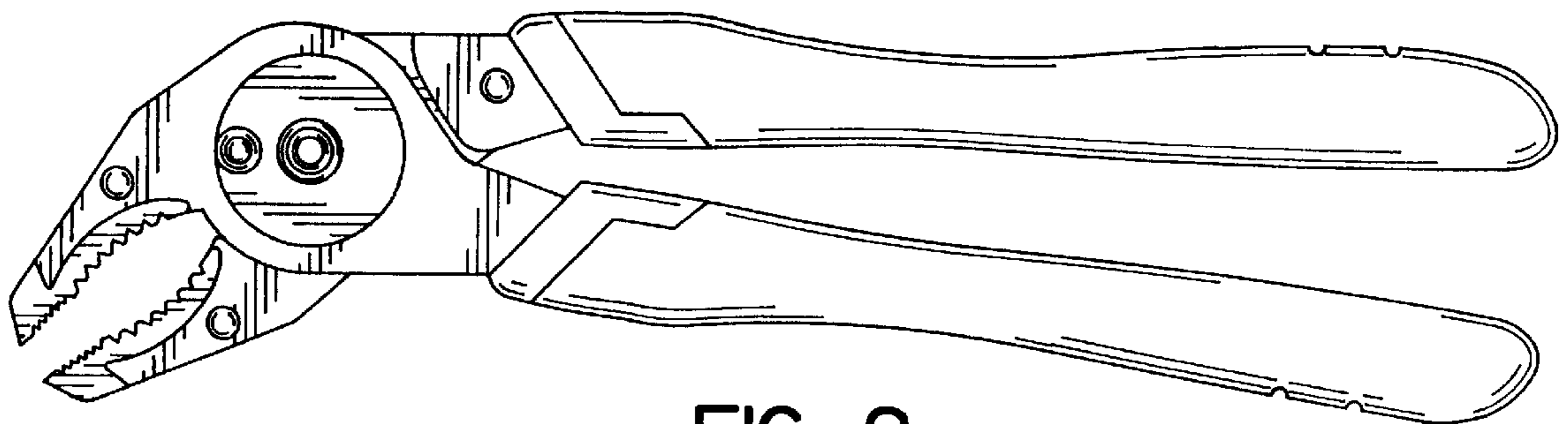


FIG. 2

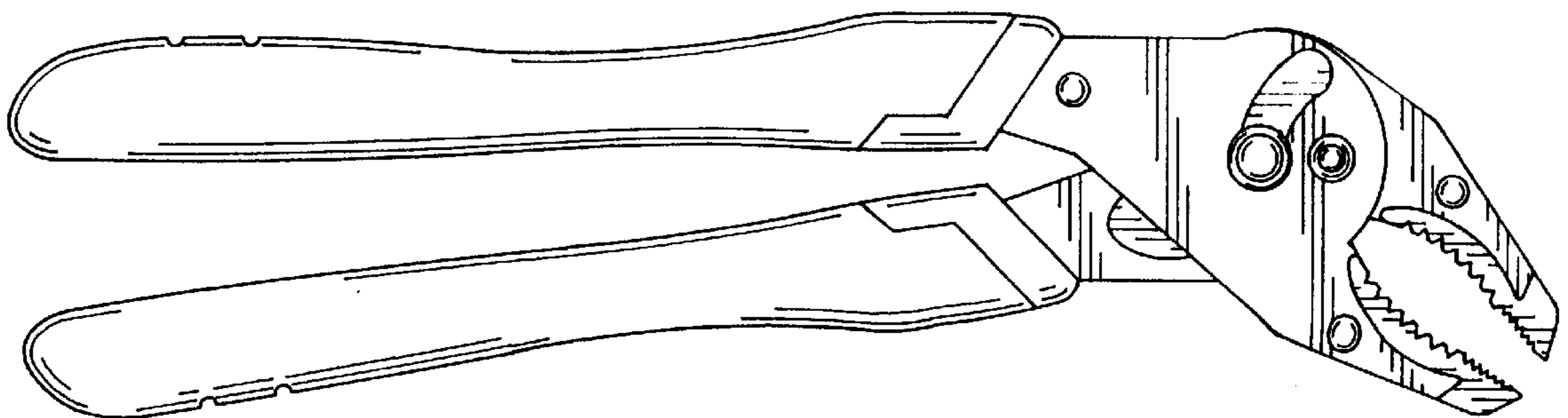


FIG. 3

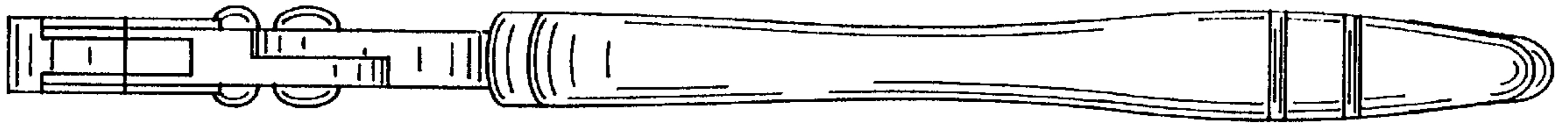


FIG. 4

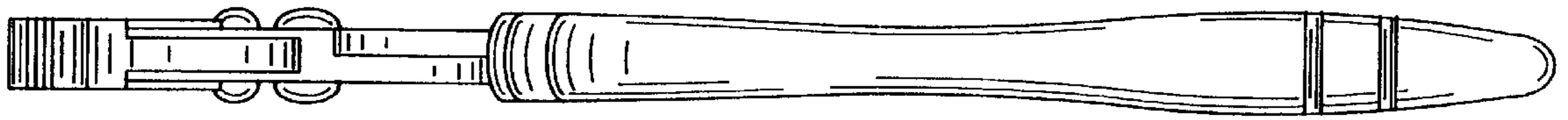


FIG. 5



FIG. 6



FIG. 7