



US00D416178S

United States Patent [19]

Moore et al.

[11] Patent Number: **Des. 416,178**

[45] Date of Patent: **** Nov. 9, 1999**

[54] **TOGGLE TOOL**

[76] Inventors: **Roger Moore**, 47-964 Silver Spur Trail;
Roland Ramsey, 73-637 Pinyon St.,
both of Palm Desert, Calif. 92260

[**] Term: **14 Years**

[21] Appl. No.: **29/084,472**

[22] Filed: **Mar. 4, 1998**

[51] **LOC (6) Cl.** **08-05**

[52] **U.S. Cl.** **D8/16**

[58] **Field of Search** D8/16-20, 40,
D8/88, 89, 71, 105; 7/105, 166, 151-156;
81/3.55, 420, 176.1, 45, 125, 125.1, 124.3,
121.1, 3.56, 3.57, 3.48, 3.47, 3.4; 411/342,
346

[56] **References Cited**

U.S. PATENT DOCUMENTS

| | | | | |
|------------|---------|------------------|-------|---------|
| D. 55,792 | 7/1920 | Hudgins | | D8/89 |
| D. 268,473 | 4/1983 | Rust | | D8/17 |
| D. 270,944 | 10/1983 | Hostetler | | D8/16 X |
| D. 284,161 | 6/1986 | DeLano | | D8/33 |
| D. 347,370 | 5/1994 | Runevitch | | D8/21 |
| D. 350,270 | 9/1994 | Jensen | | D8/89 |
| D. 358,534 | 5/1995 | Link | | D8/17 |
| D. 359,894 | 7/1995 | Pomeroy | | D8/16 |
| D. 369,532 | 5/1996 | Scutt | | D8/40 |
| 1,641,252 | 9/1927 | Dickey | | 81/125 |
| 2,318,548 | 5/1943 | Whitehead et al. | .. | |

| | | | | |
|-----------|---------|---------------|-------|----------|
| 2,503,683 | 4/1950 | Perkins | | 81/3.55 |
| 3,204,907 | 9/1965 | Tattrie | | 7/105 |
| 3,211,042 | 10/1965 | Fischer | . | |
| 3,605,547 | 9/1971 | Millet | . | |
| 4,446,763 | 5/1984 | Blough et al. | | 81/176.1 |
| 4,455,895 | 6/1984 | Christensen | | 81/3.55 |
| 4,475,276 | 10/1984 | Staten | | D8/89 |
| 4,616,968 | 10/1986 | Giannuzzi | . | |
| 4,631,985 | 12/1986 | Roberts | . | |
| 4,732,520 | 3/1988 | Giannuzzi | . | |
| 4,810,145 | 3/1989 | Sinclair | . | |
| 4,822,226 | 4/1989 | Kennedy | . | |
| 4,883,398 | 11/1989 | Duncan | . | |
| 4,939,959 | 7/1990 | Rokita | . | |
| 5,207,126 | 5/1993 | Schaben | | 81/45 |

Primary Examiner—Jeffrey Asch
Attorney, Agent, or Firm—Dennison, Meserole, Scheiner & Schultz

[57] CLAIM

The ornamental design for a toggle tool, as shown and described.

DESCRIPTION

FIG. 1 is a top and side perspective view of a toggle tool showing our new design;
FIG. 2 is a right end view thereof;
FIG. 3 is a left end view thereof;
FIG. 4 is a side view thereof, the other side being a mirror image; and,
FIG. 5 is a bottom plan view thereof.

1 Claim, 1 Drawing Sheet

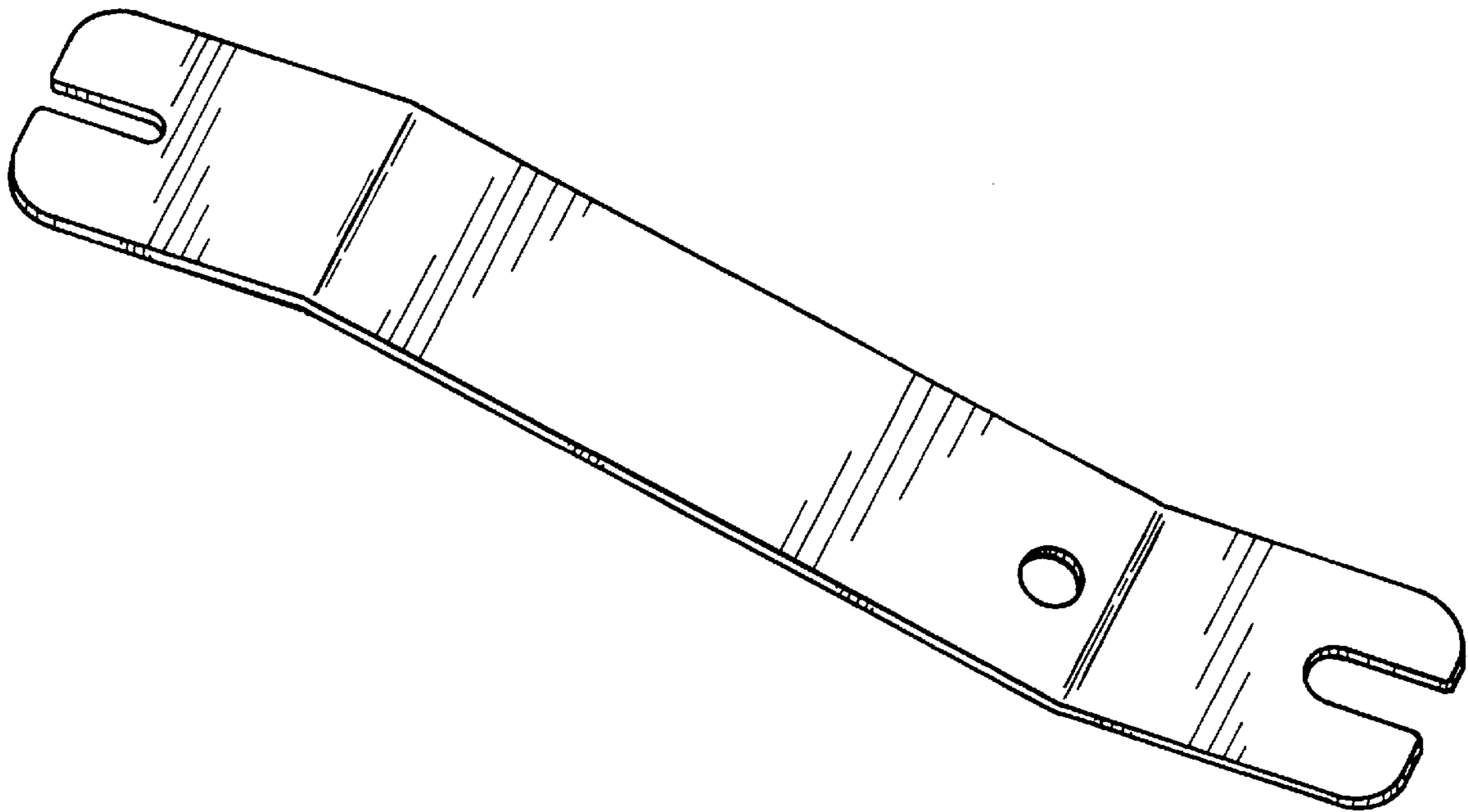


FIG. 2



FIG. 3



FIG. 1

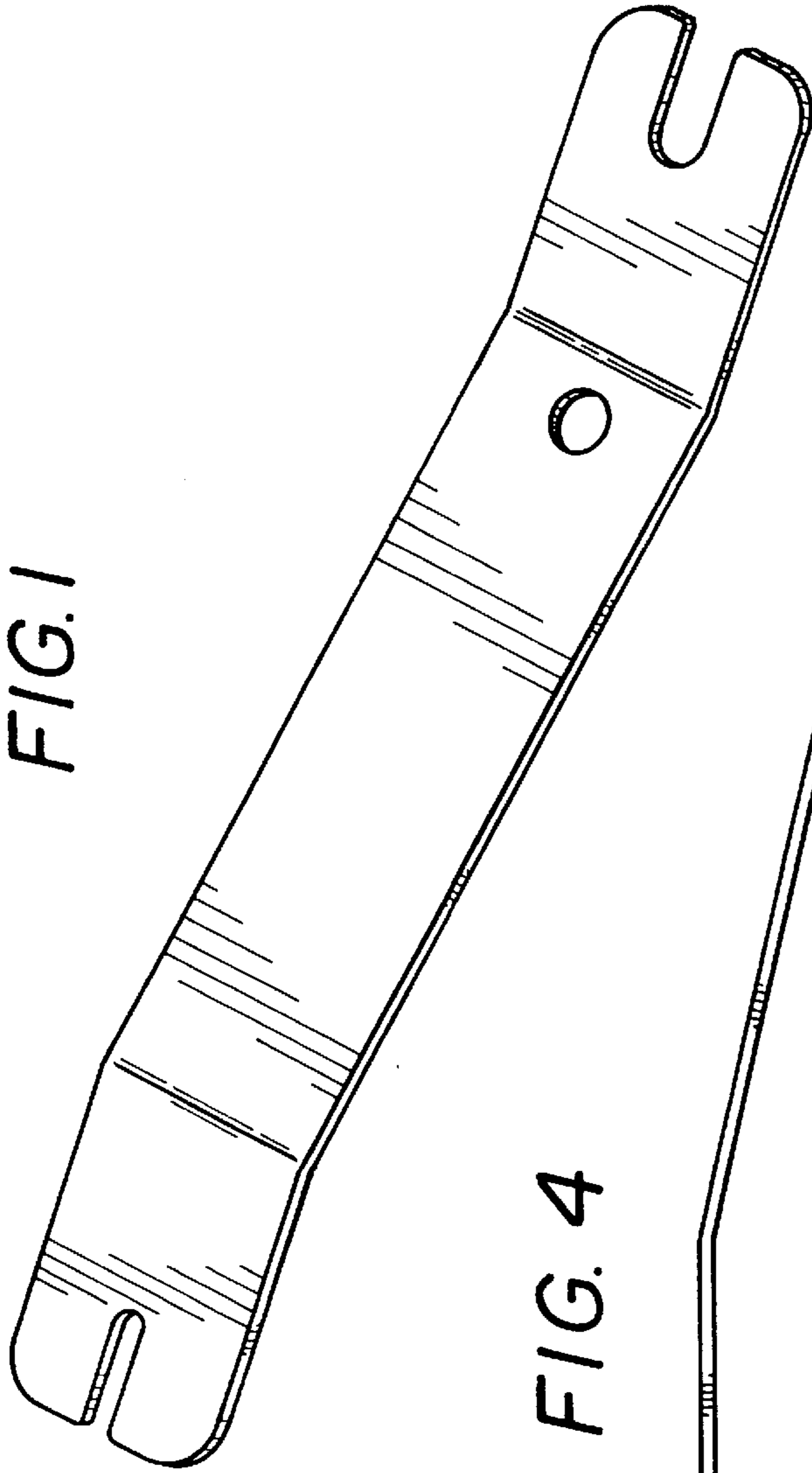


FIG. 4

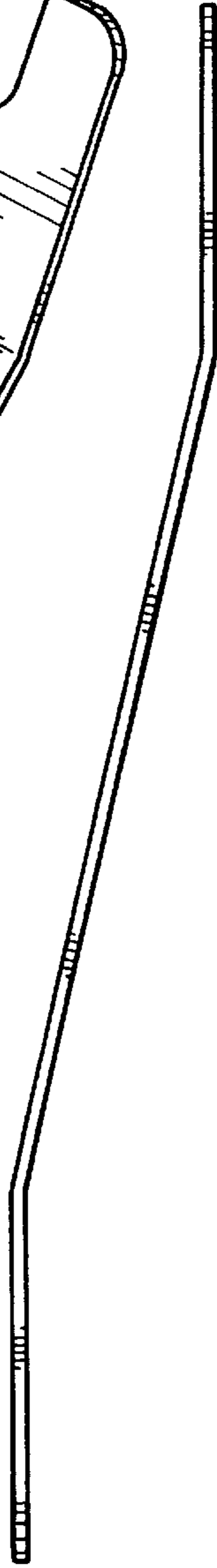


FIG. 5

