



US00D416177S

United States Patent [19]

[11] Patent Number: **Des. 416,177**

Hood

[45] Date of Patent: **** Nov. 9, 1999**

[54] **SLICER ELEMENT**

[57] **CLAIM**

[76] Inventor: **Ivan Hood**, 55 Heyers Road,
Grovedale, Victoria, Australia, 3216

The ornamental design for a slicer element, as shown and described.

[**] Term: **14 Years**

DESCRIPTION

[21] Appl. No.: **29/092,452**

FIG. 1 shows a perspective view of a slicer element, the rear and left sides being identical, the broken line showing of the base unit is for illustrative purposes only and forms no part of the claimed design.

[22] Filed: **Aug. 19, 1998**

[51] **LOC (6) Cl.** **07-04**

[52] **U.S. Cl.** **D7/673**

[58] **Field of Search** D7/673, 677; 83/761-768,
83/870, 454, 404.3, 404.4, 404.8; 269/87.2,
295

FIG. 2 shows a perspective view of the slicer element for clarity of illustration.

FIG. 3 shows a bottom view of the slicer element.

FIG. 4 shows a top view of the slicer element.

FIG. 5 shows a front view of the slicer element, of which the rear view is identical; and,

FIG. 6 shows a right side view of the slicer element of which the left side view is identical.

The undisclosed bottom portion of the container of FIG. 1 forms no part of the claimed design.

[56] References Cited

U.S. PATENT DOCUMENTS

- 3,349,824 10/1967 Trenor D7/673 X
- 4,062,260 12/1977 Steinhogl 83/404.3

Primary Examiner—Mitchell I. Siegel
Attorney, Agent, or Firm—H. Jay Spiegel

1 Claim, 3 Drawing Sheets

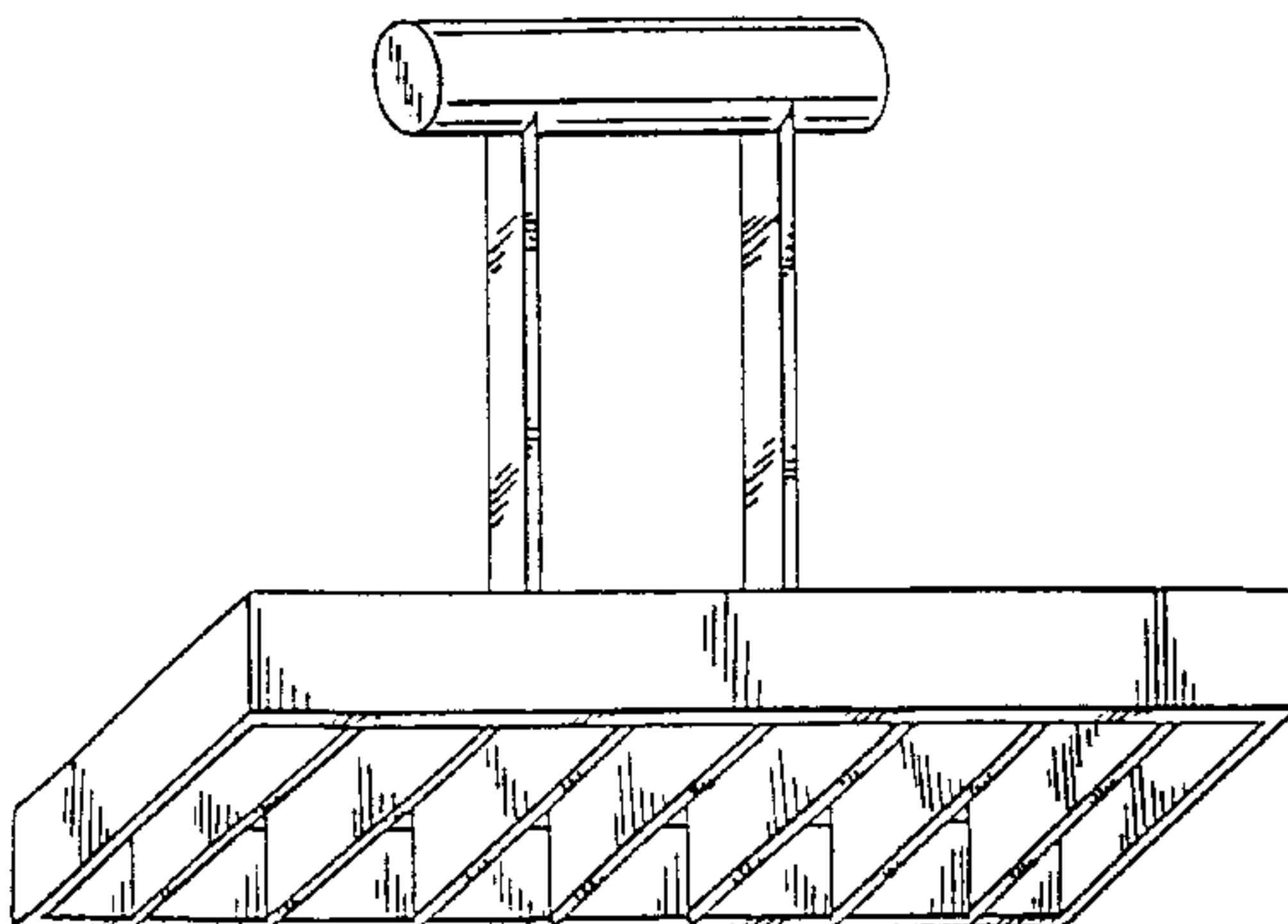
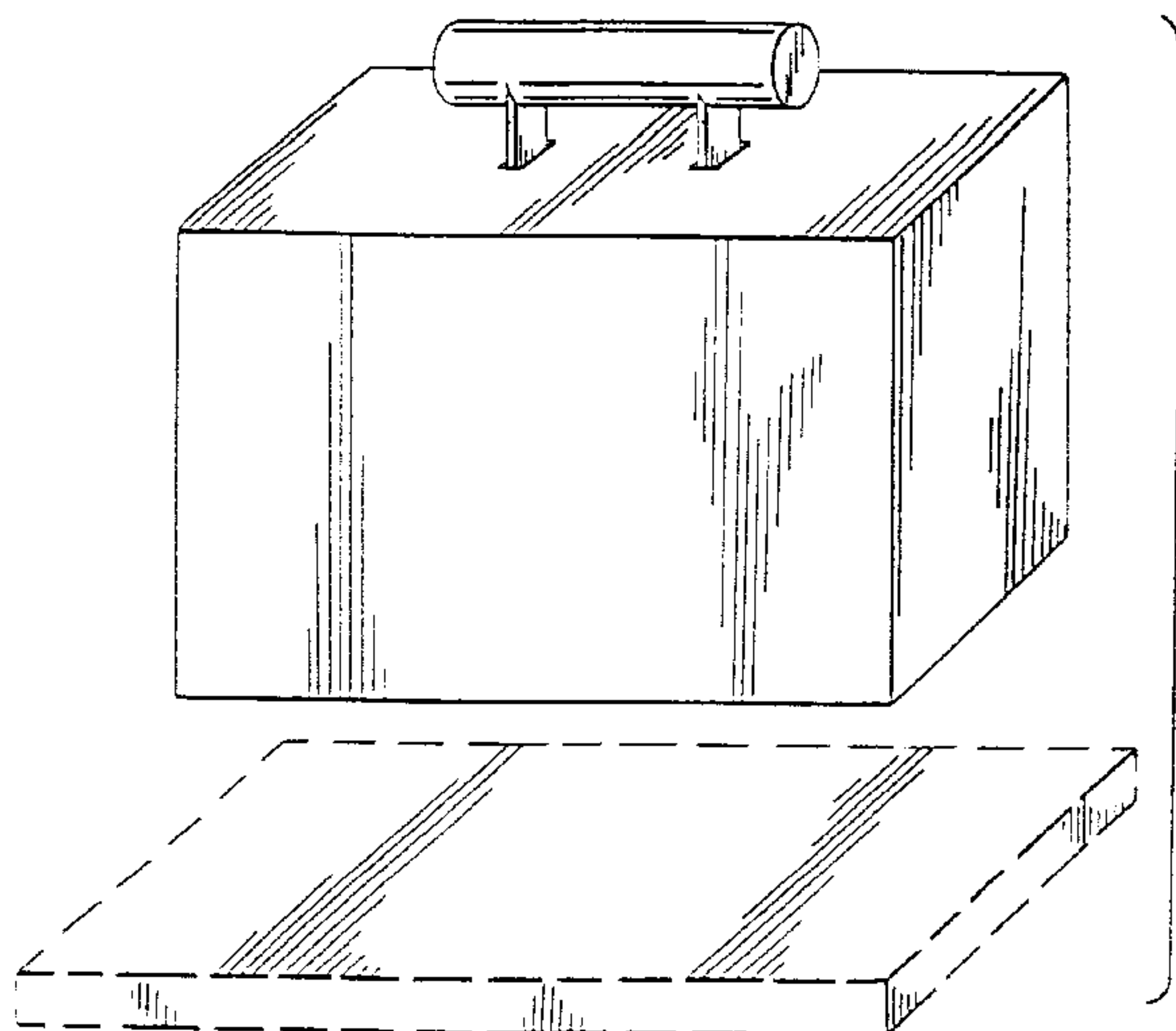


FIG. 1

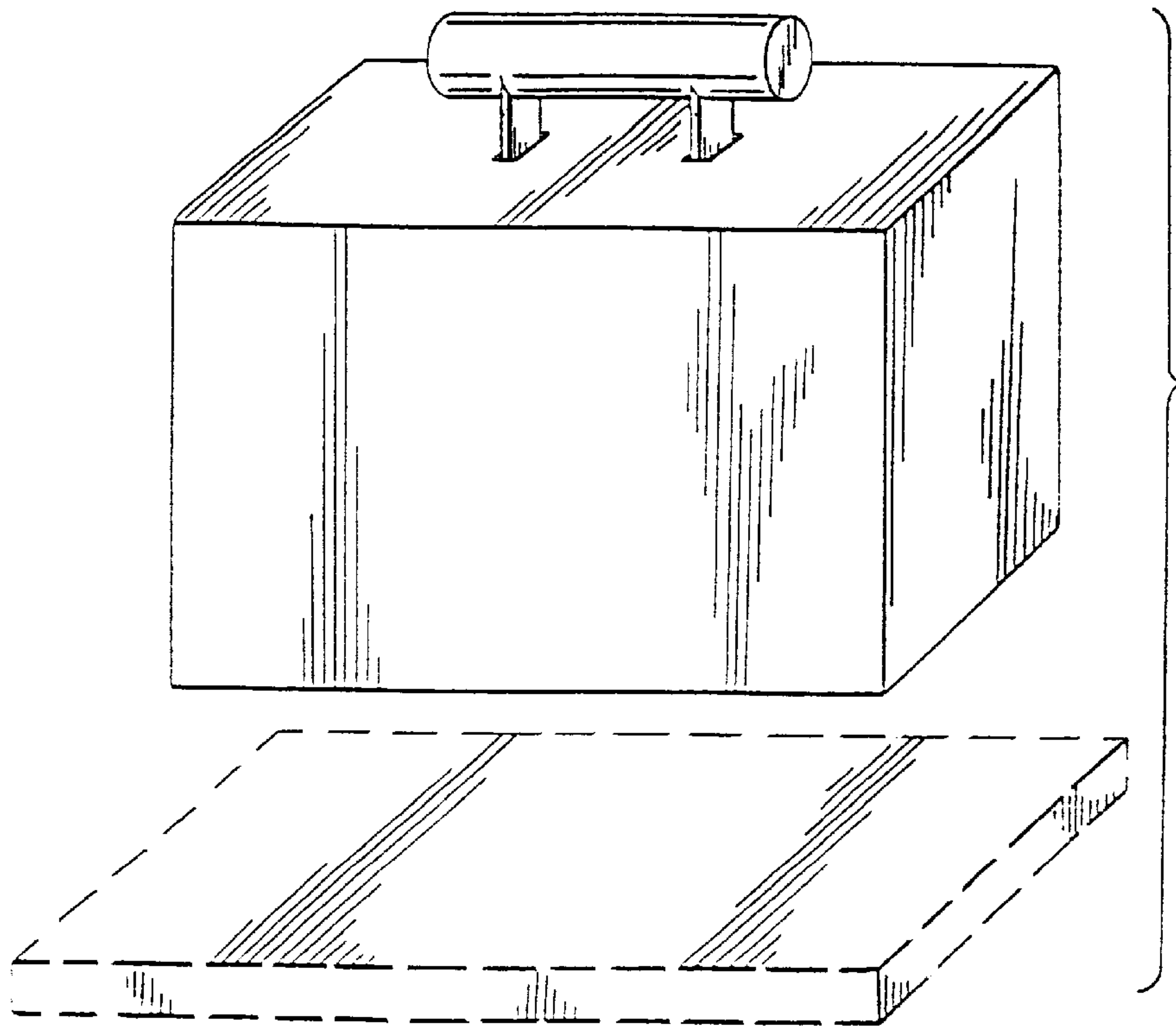


FIG. 2

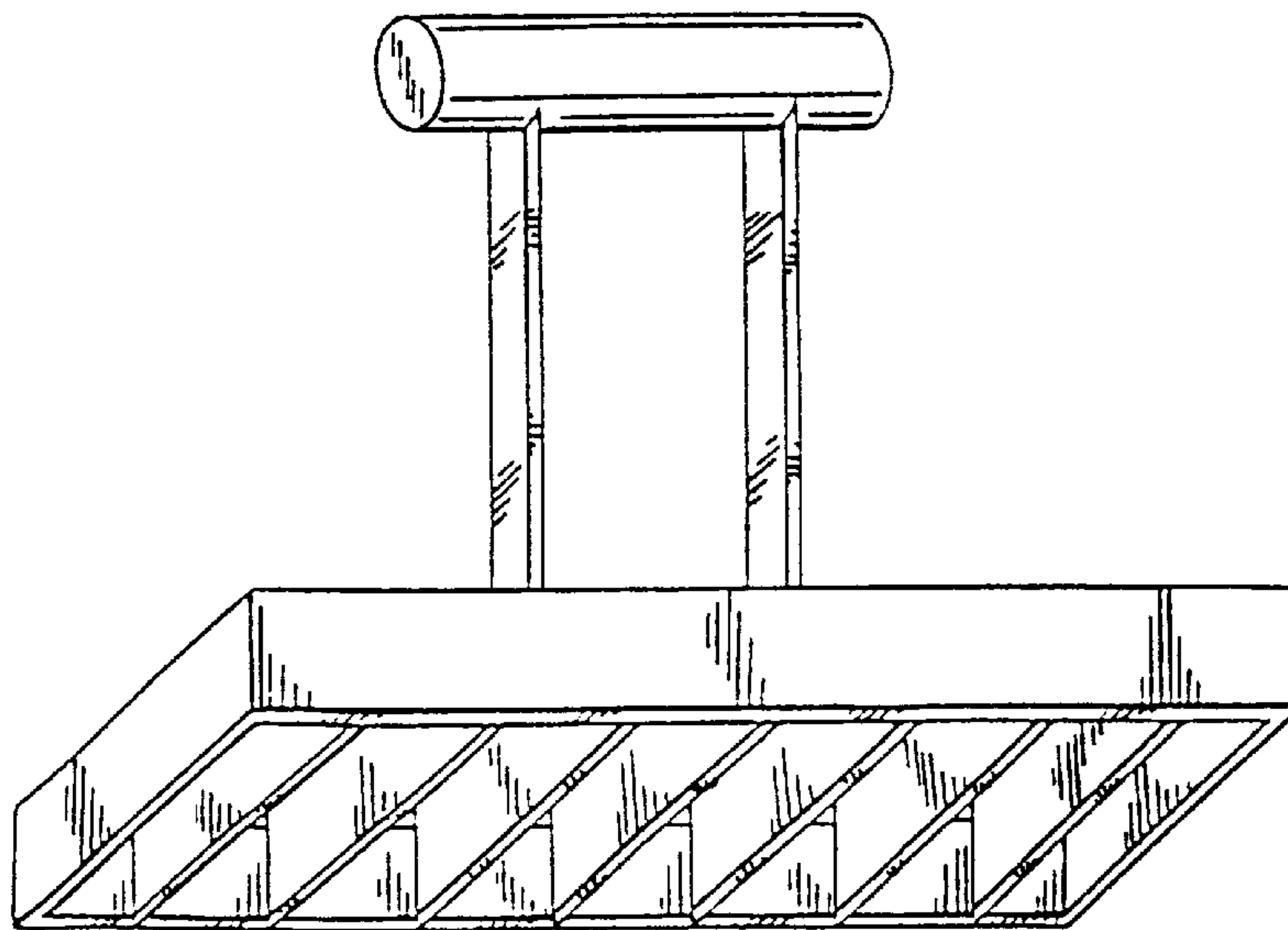


FIG. 3

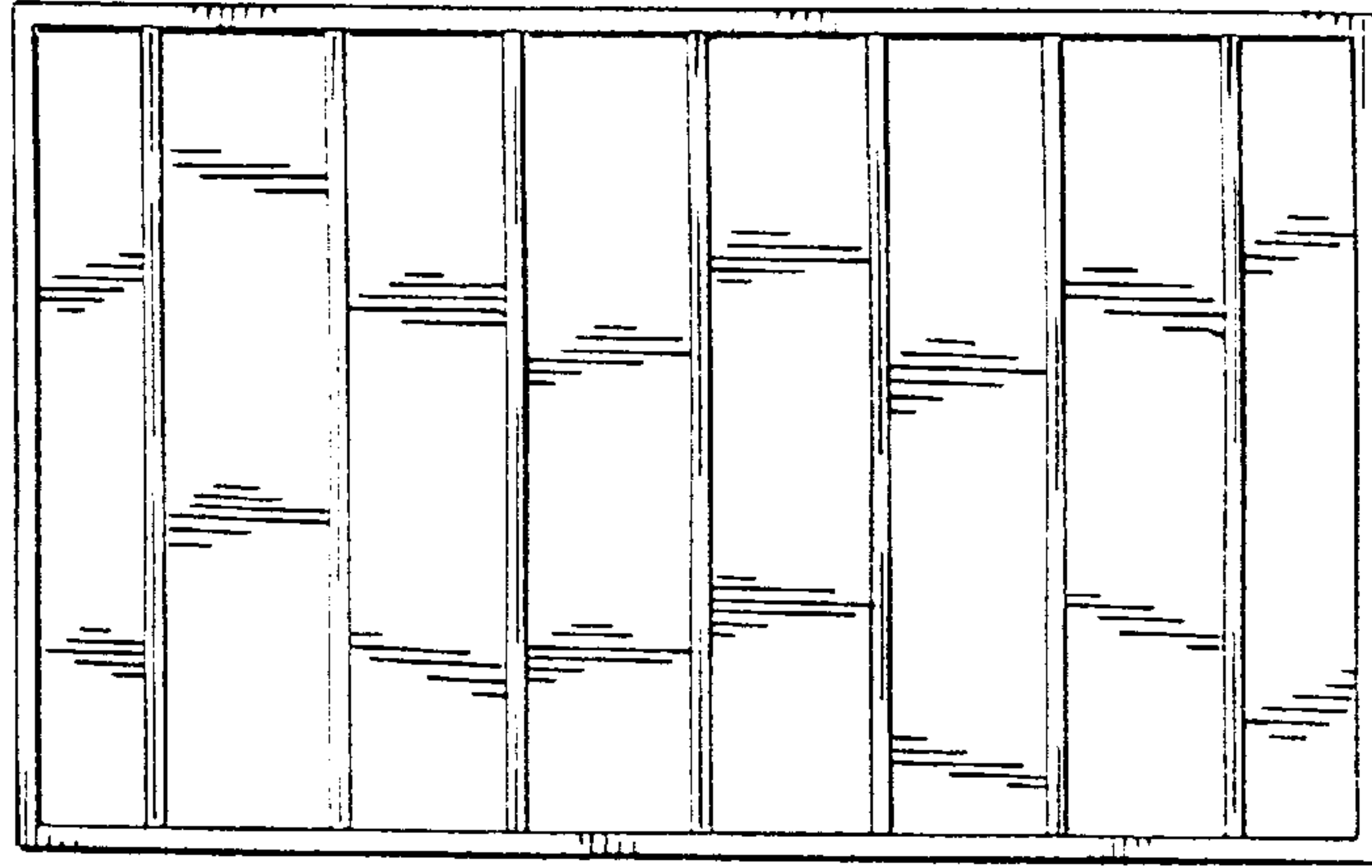


FIG. 4

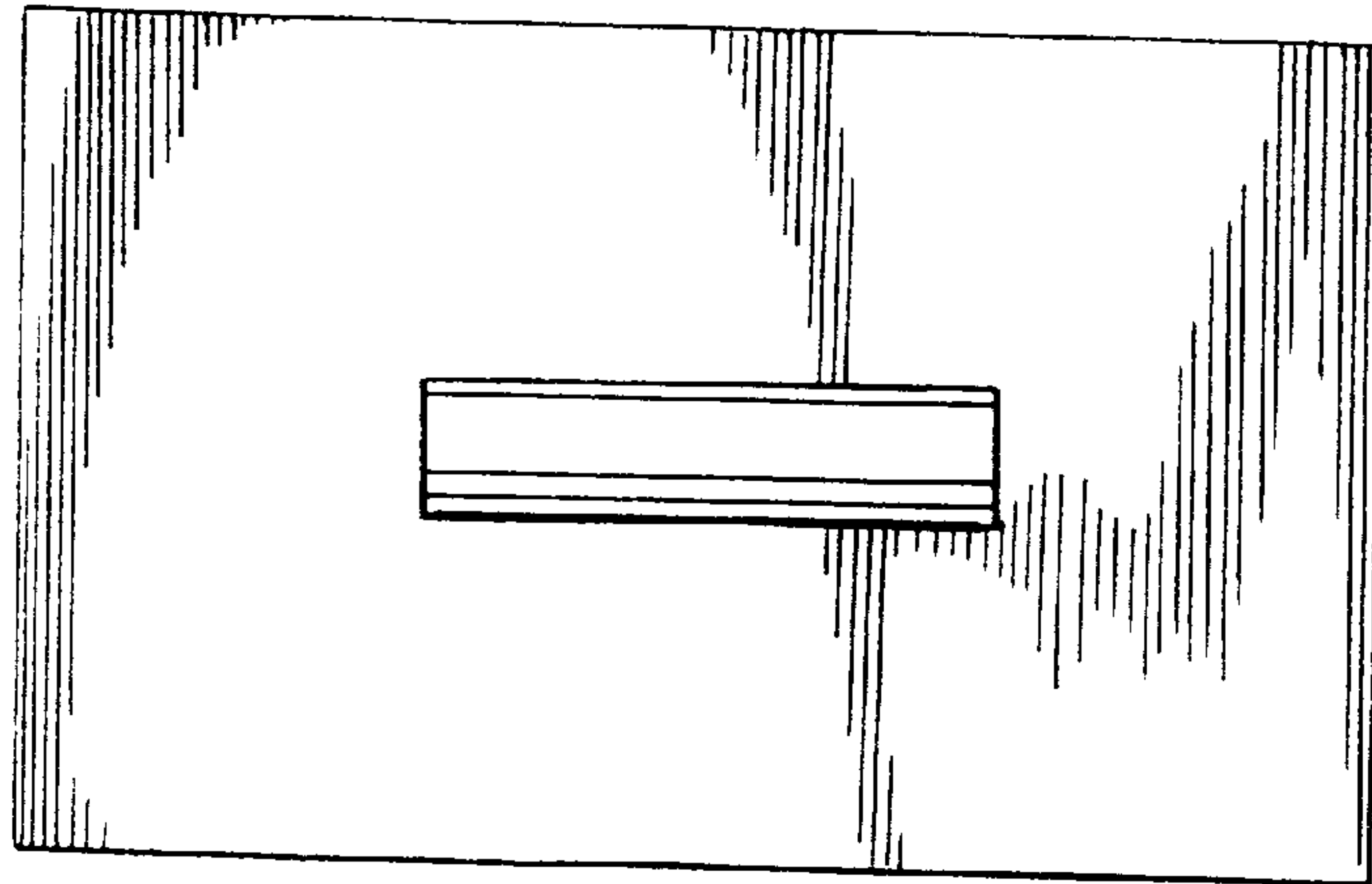


FIG. 5

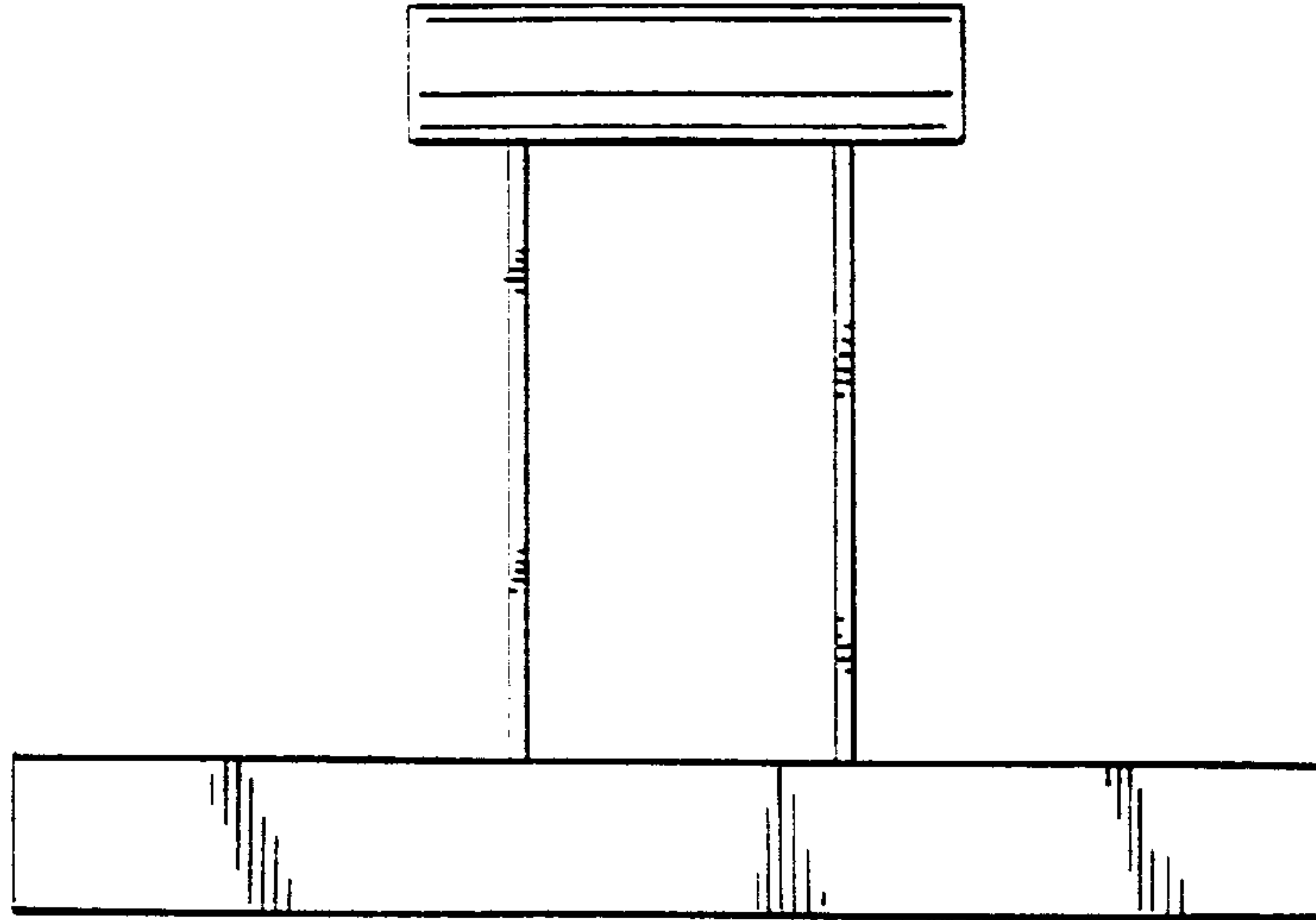


FIG. 6

