



US00D416173S

United States Patent [19]

Hersch

[11] Patent Number: Des. 416,173

[45] Date of Patent: ** Nov. 9, 1999

[54] SPORT THEME BEVERAGE CONTAINER

[76] Inventor: William M. Hersch, 9054 Bayside Dr., Bayside, Wis. 53217

[**] Term: 14 Years

[21] Appl. No.: 29/096,612

[22] Filed: Nov. 16, 1998

[51] LOC (6) Cl. 07-01

[52] U.S. Cl. D7/514; D7/515; D11/149

[58] Field of Search D7/514, 515, 523, D7/509, 507, 901; D11/146, 149, 152, 153, 157; 206/520; 215/10; 211/69.1; D9/307; 428/542.4

[56] **References Cited**

U.S. PATENT DOCUMENTS

D. 40,259	9/1909	Fischer	D11/149	X
D. 122,765	10/1940	Carlson	D11/149	
D. 166,458	4/1952	Edwards	D11/149	X
D. 223,843	6/1972	Li	D9/307	
D. 266,738	11/1982	Cooper	D9/307	
D. 284,249	6/1986	Bolich	D7/515	
D. 287,346	12/1986	Bussell	D11/153	
D. 340,075	10/1993	Turner	D9/307	
D. 340,076	10/1993	Turner	D9/307	X
D. 346,309	4/1994	Ocampo	D7/515	
D. 352,639	11/1994	Rigsby	D7/515	
D. 391,478	3/1998	D'Arrigo	D9/307	

D. 400,395	11/1998	Wilson	D7/515	X
D. 405,639	2/1999	Clark et al.	D7/515	
4,454,204	6/1984	Posey	428/542.4	

Primary Examiner—M. N. Pandozzi
Attorney, Agent, or Firm—Andrus, Scales, Starke & Sawall

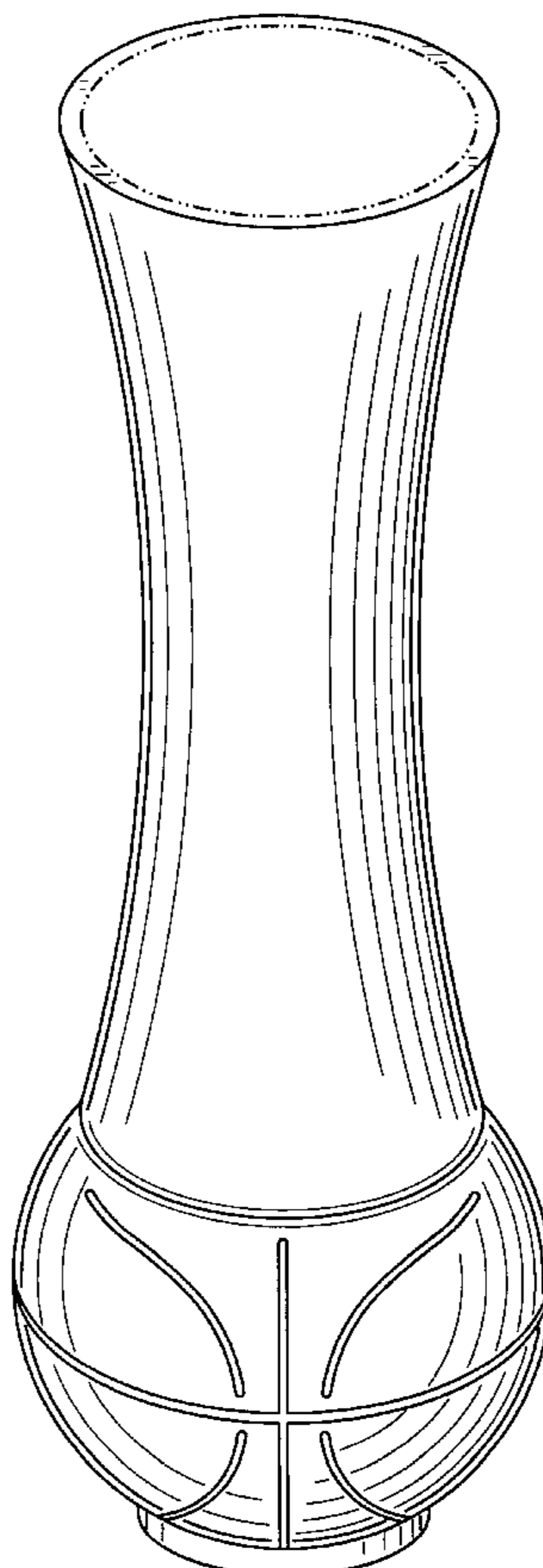
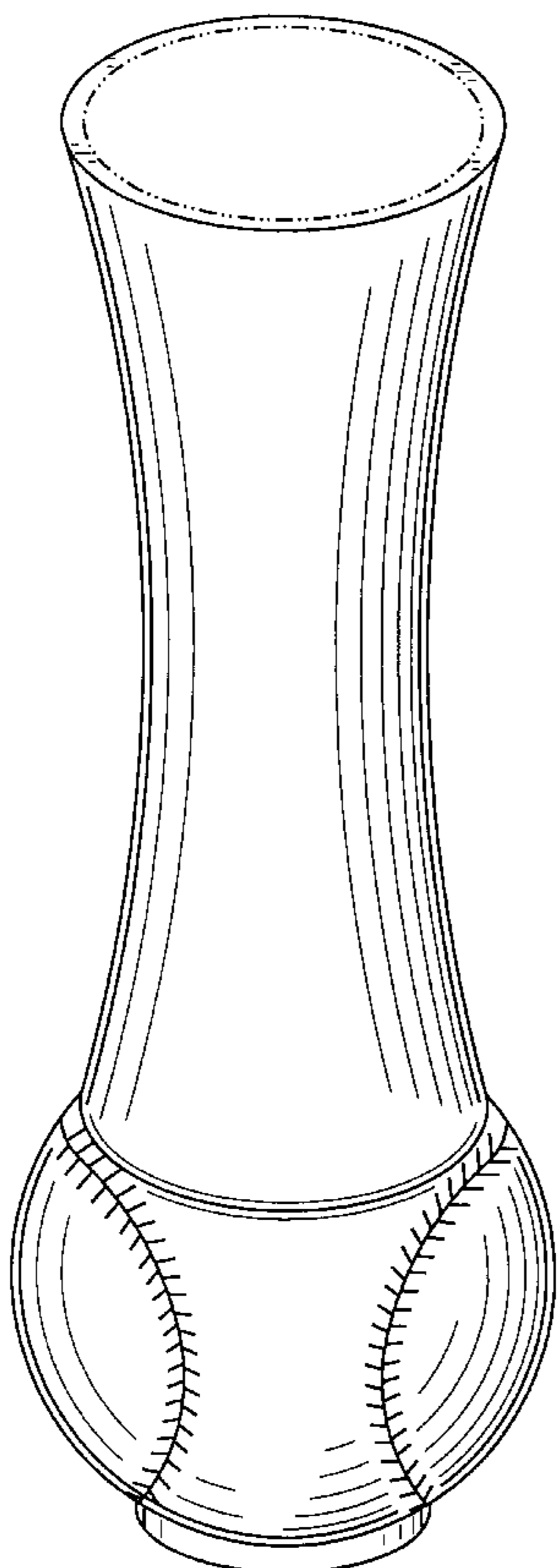
[57] **CLAIM**

The ornamental design of a sport theme beverage container, as shown and described.

DESCRIPTION

FIG. 1 is an isometric view of a sport theme beverage container showing my new design; FIG. 2 is a front elevation thereof; FIG. 3 is a top plan view thereof; FIG. 4 is a left side elevation thereof, the right side elevation being a mirror image; FIG. 5 is a rear elevation view thereof; FIG. 6 is a bottom plan view thereof; FIG. 7 is an isometric view of a sport theme beverage container showing a second embodiment of my new design; FIG. 8 is a front elevation view thereof, the rear elevation view being identical thereto; FIG. 9 is a right side elevation view thereof, the left side elevation view being identical thereto; FIG. 10 is a top plan view thereof; and, FIG. 11 is a bottom plan view thereof.

1 Claim, 4 Drawing Sheets



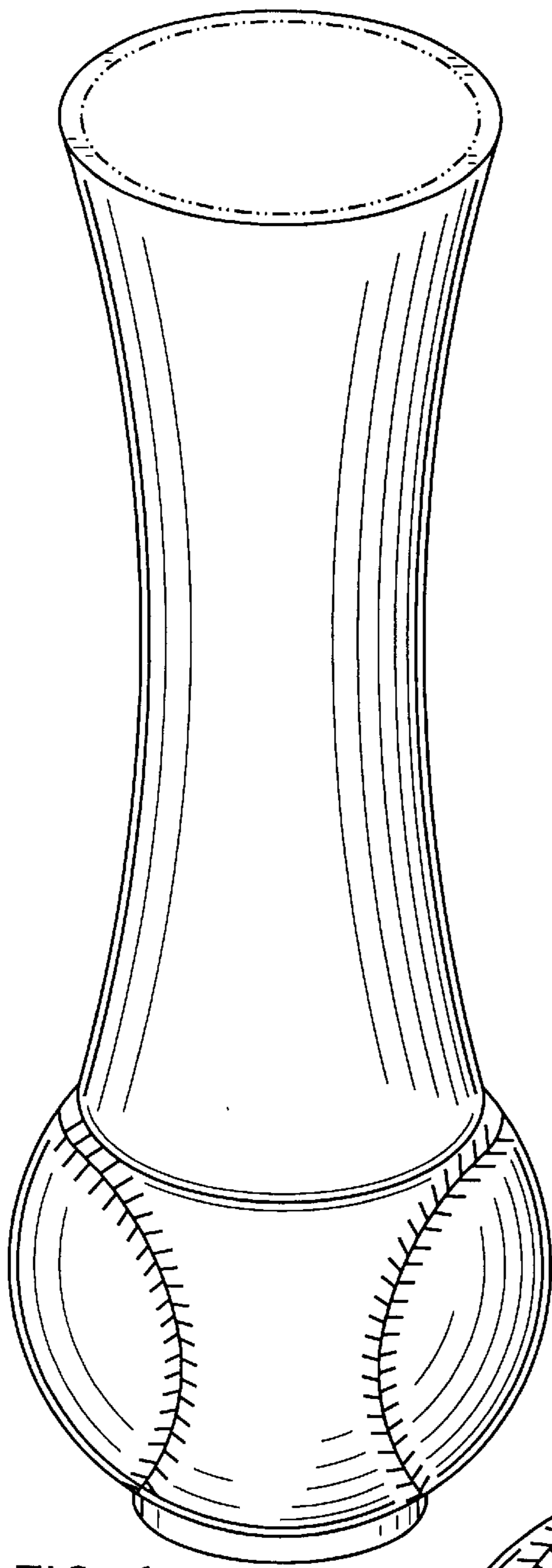


FIG. 1

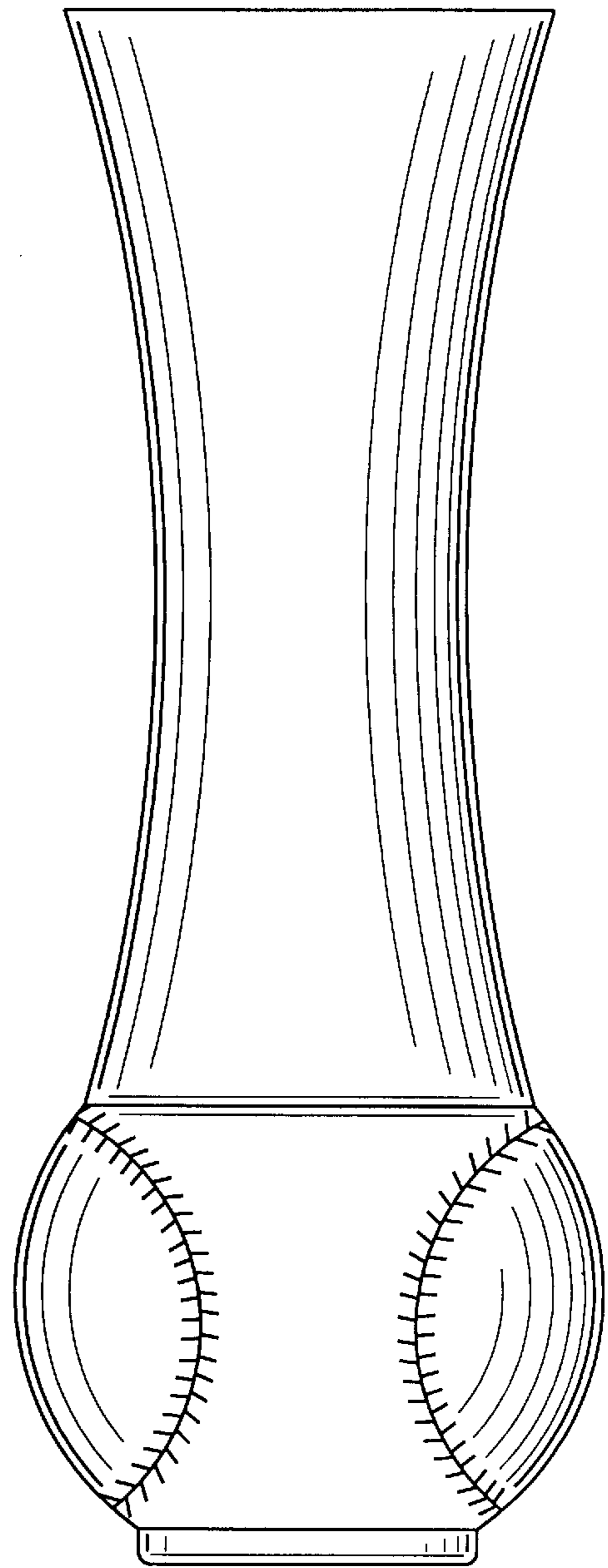


FIG. 2

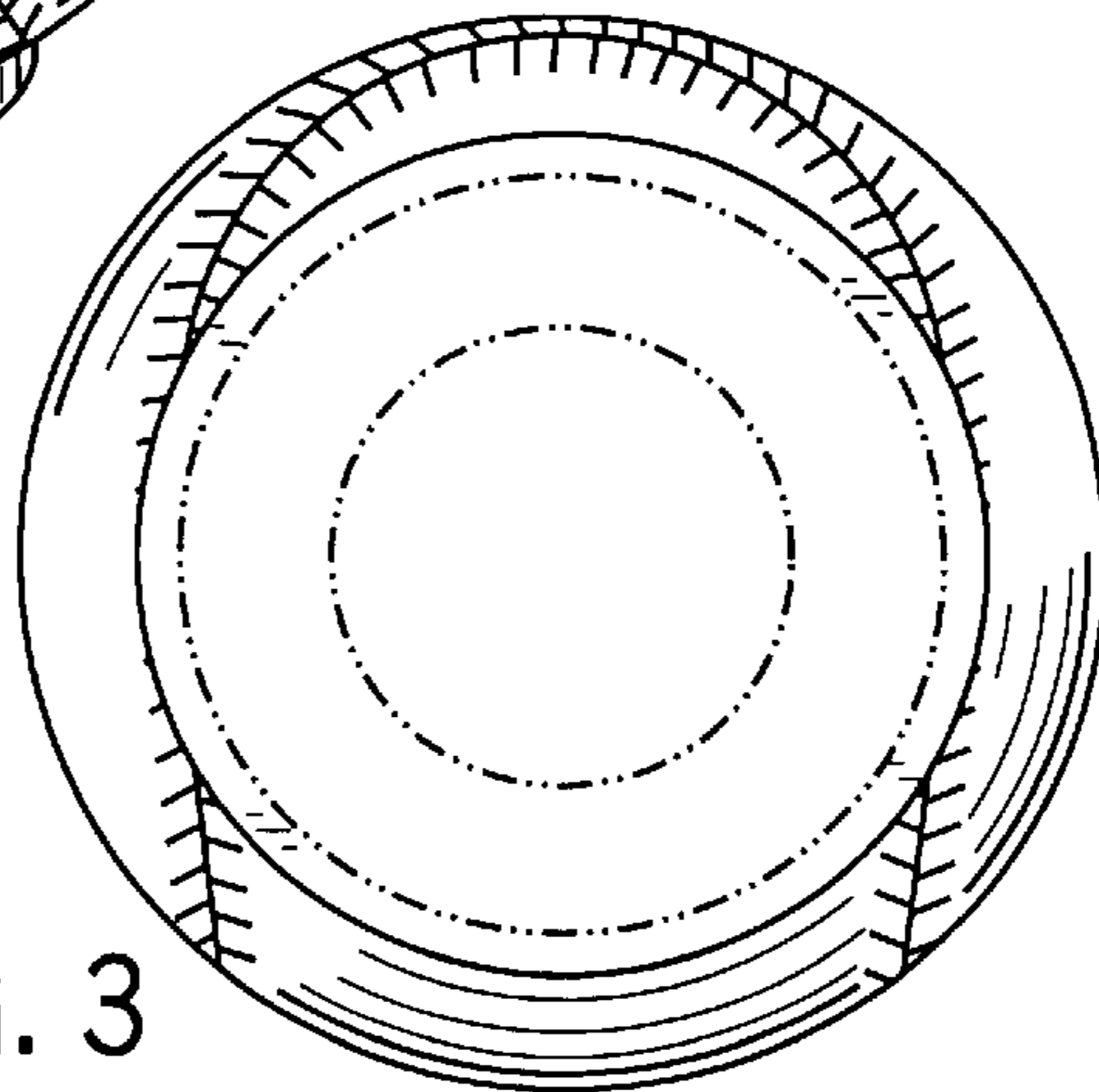


FIG. 3

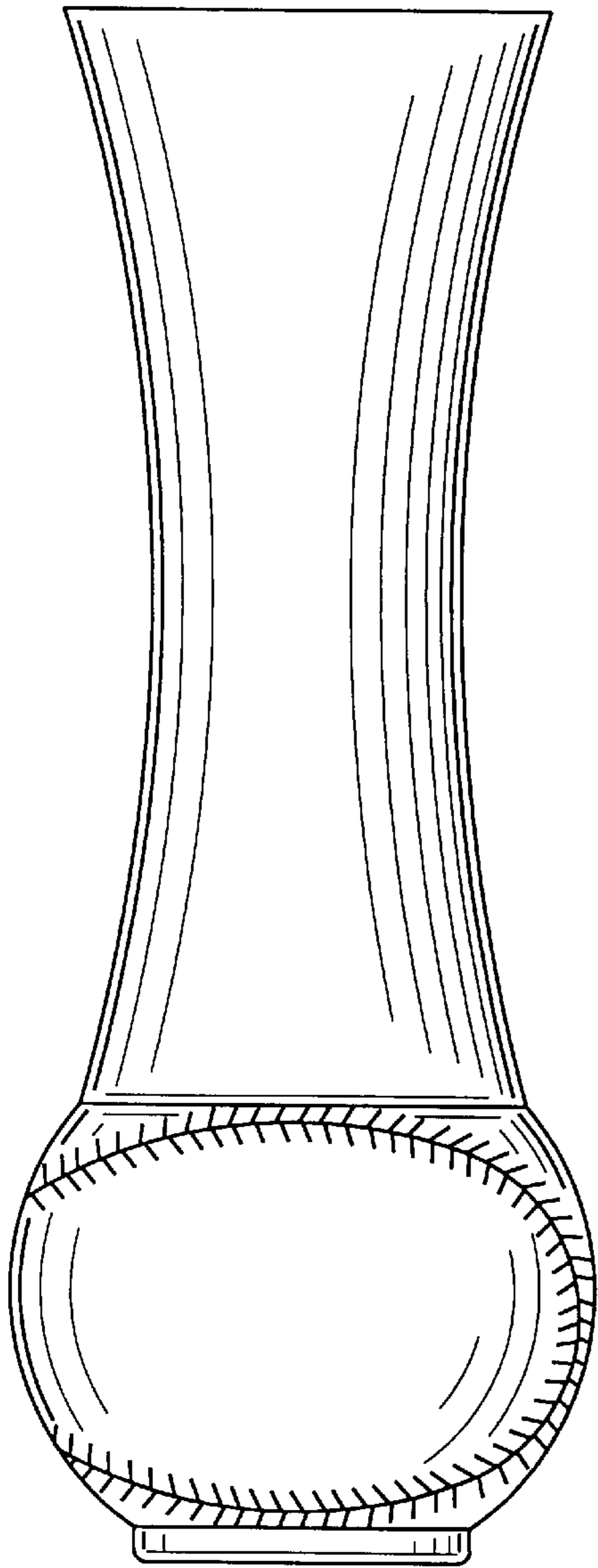


FIG. 4

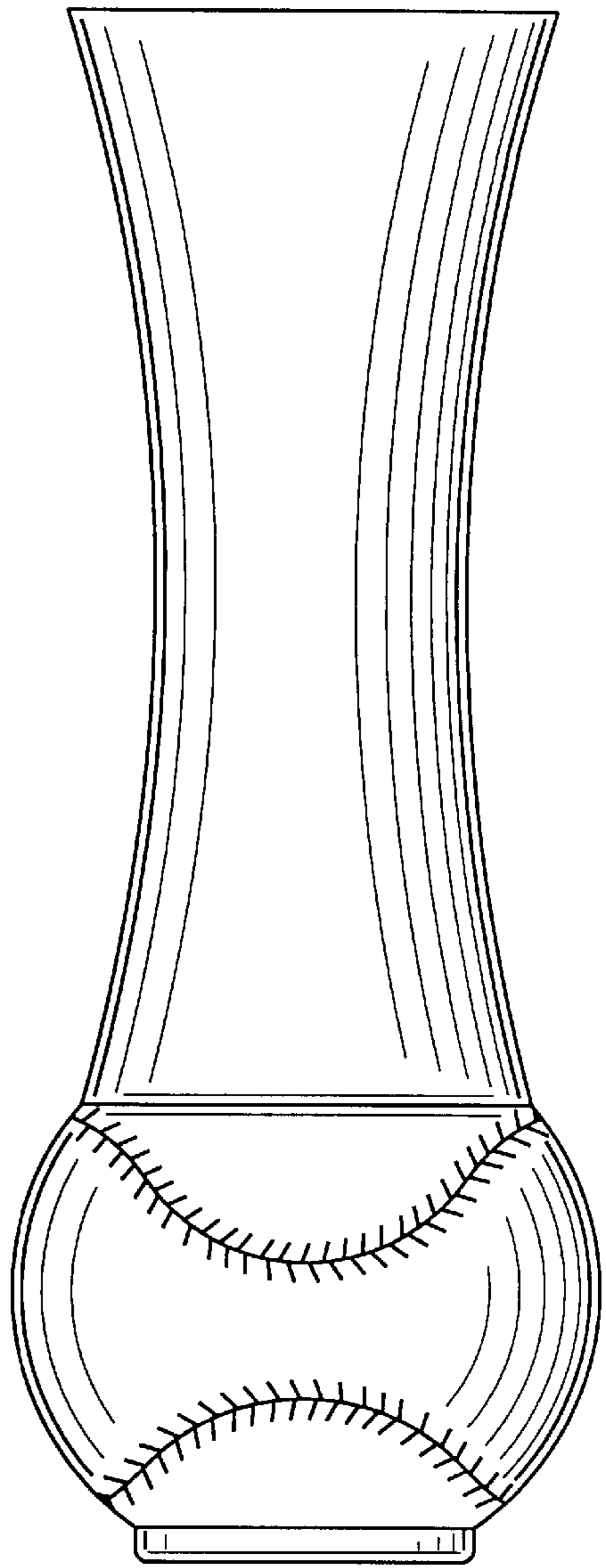


FIG. 5

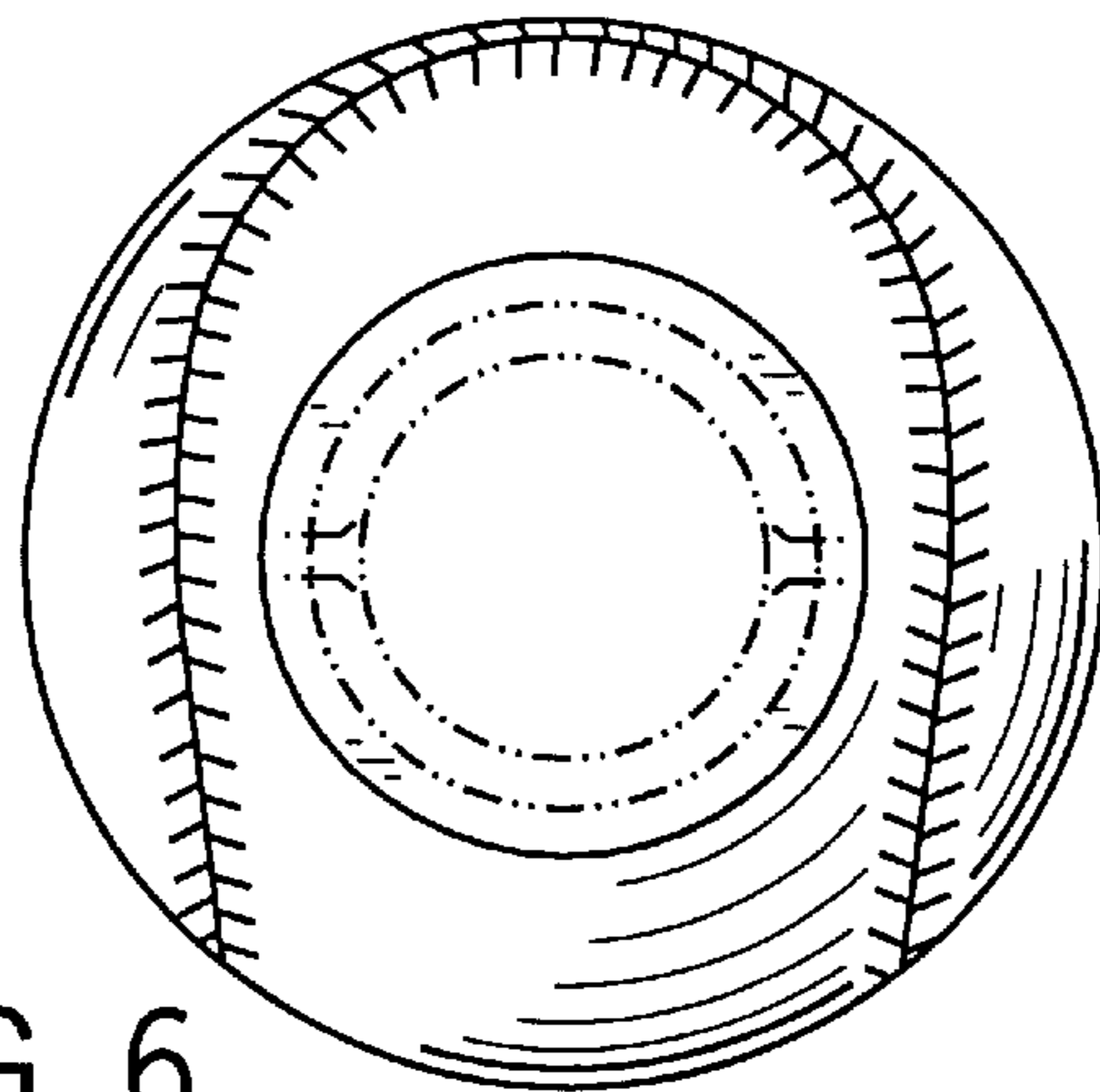


FIG. 6

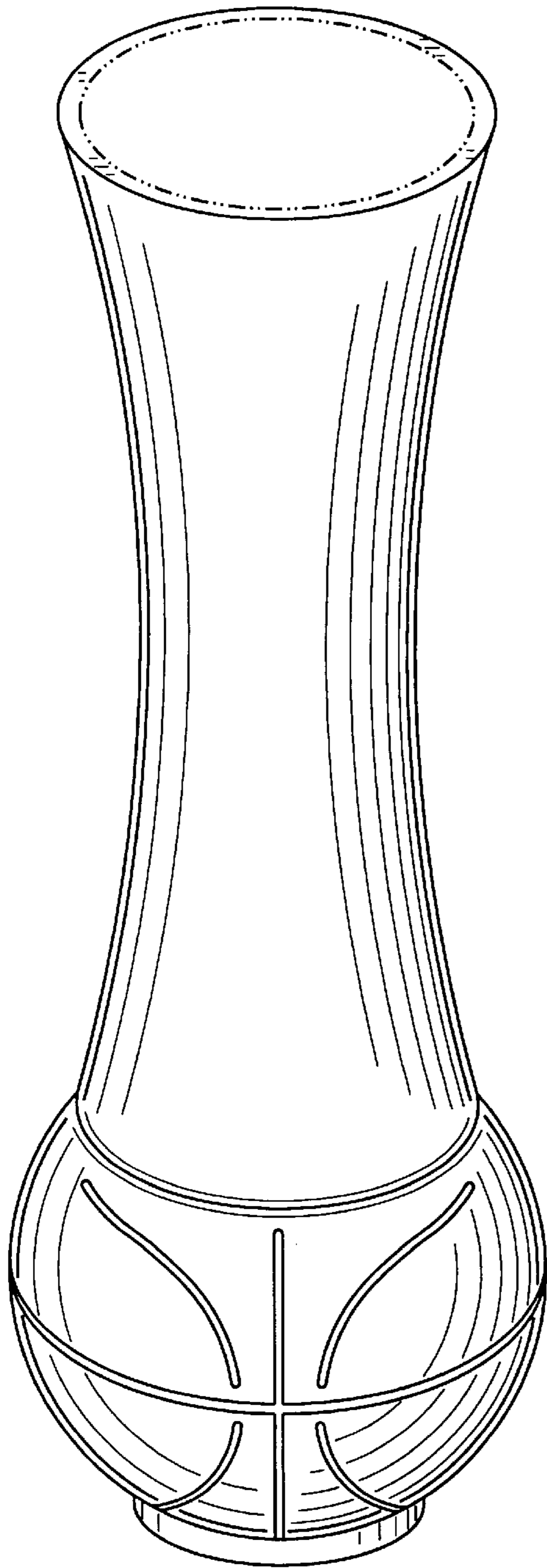


FIG. 7

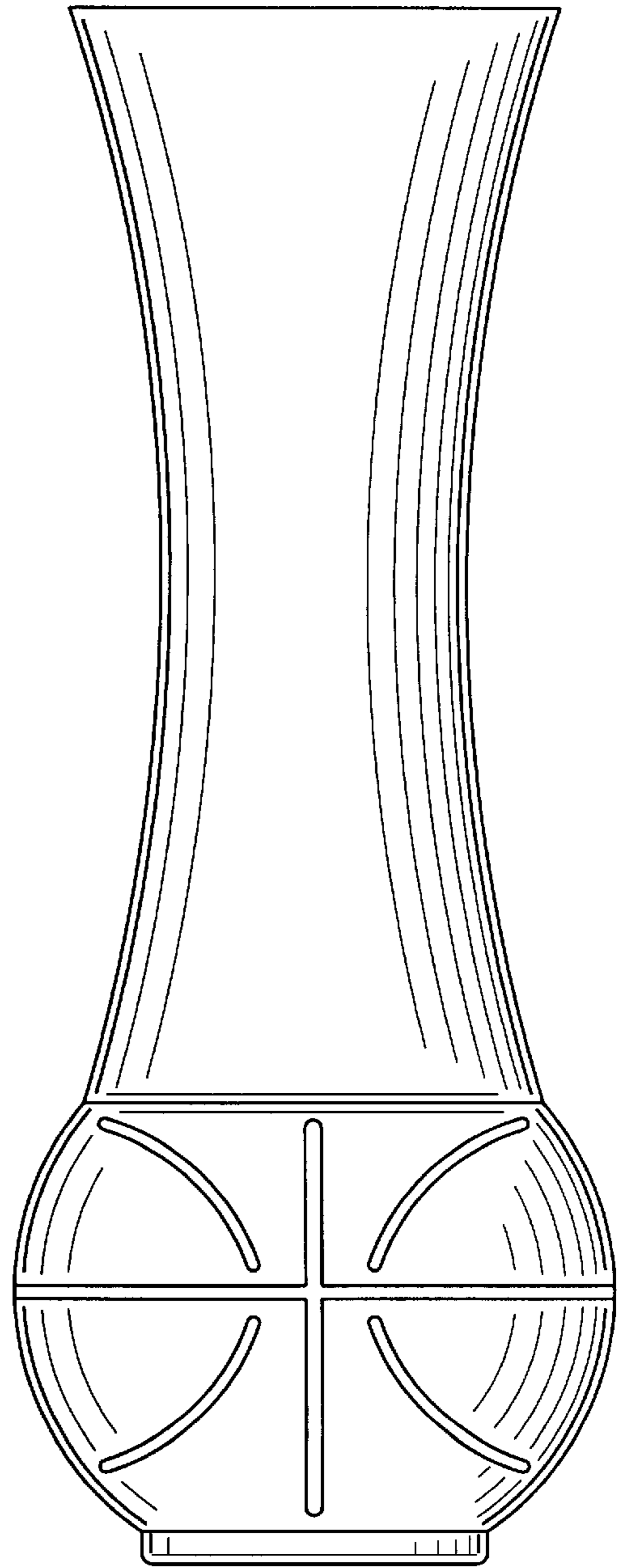


FIG. 8

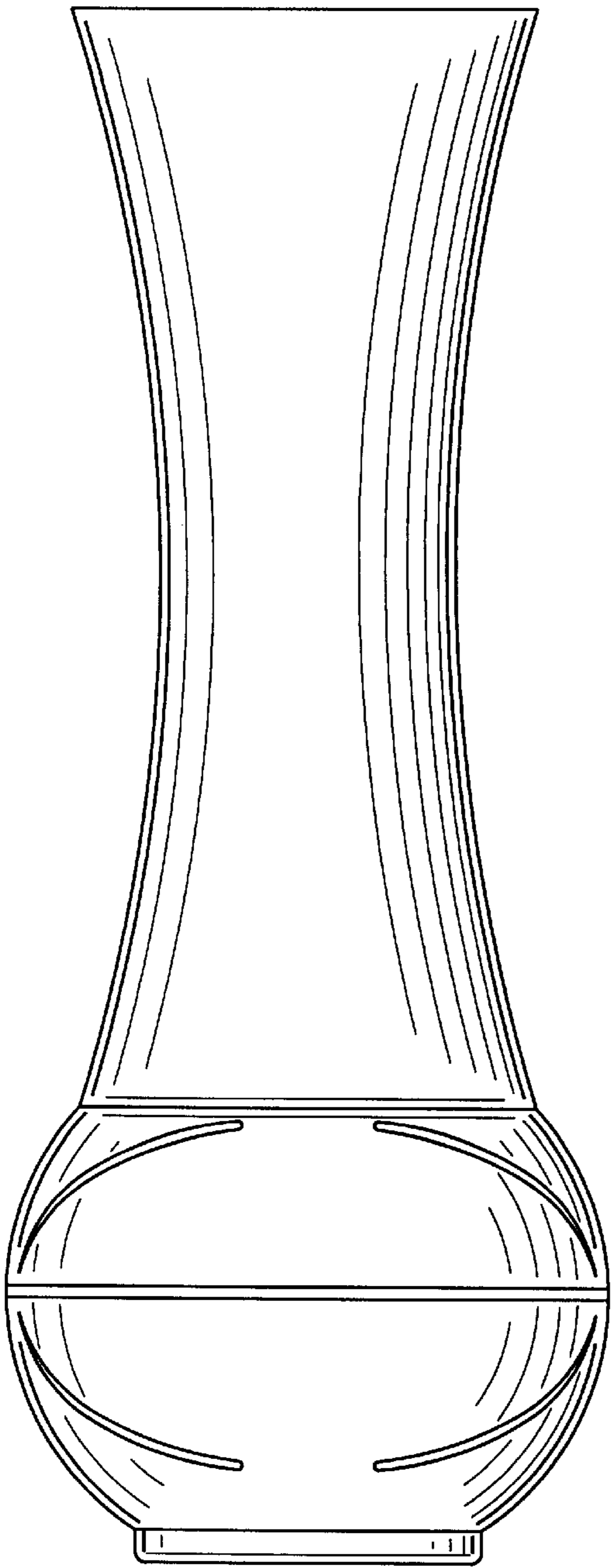


FIG. 9

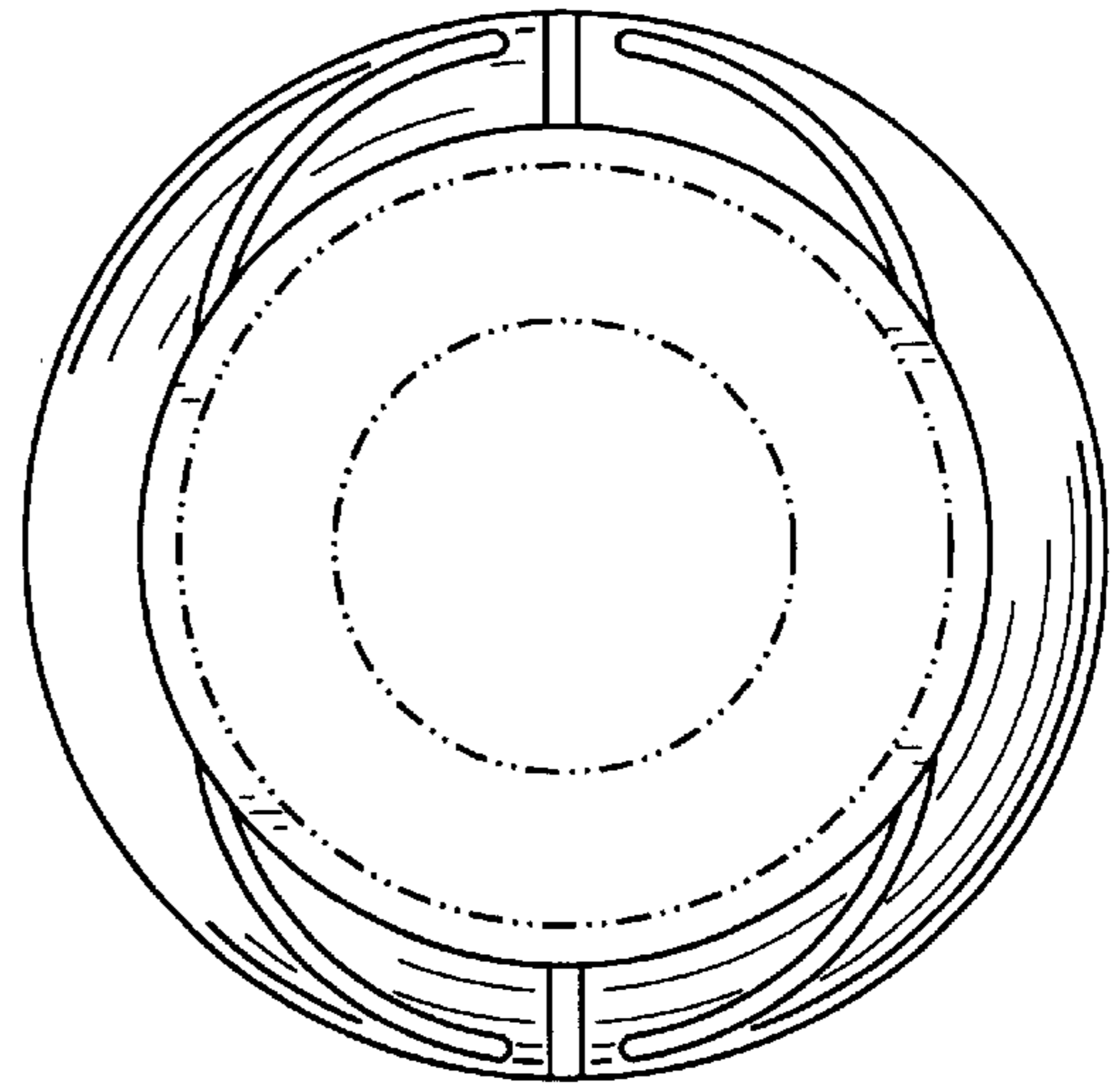


FIG. 10

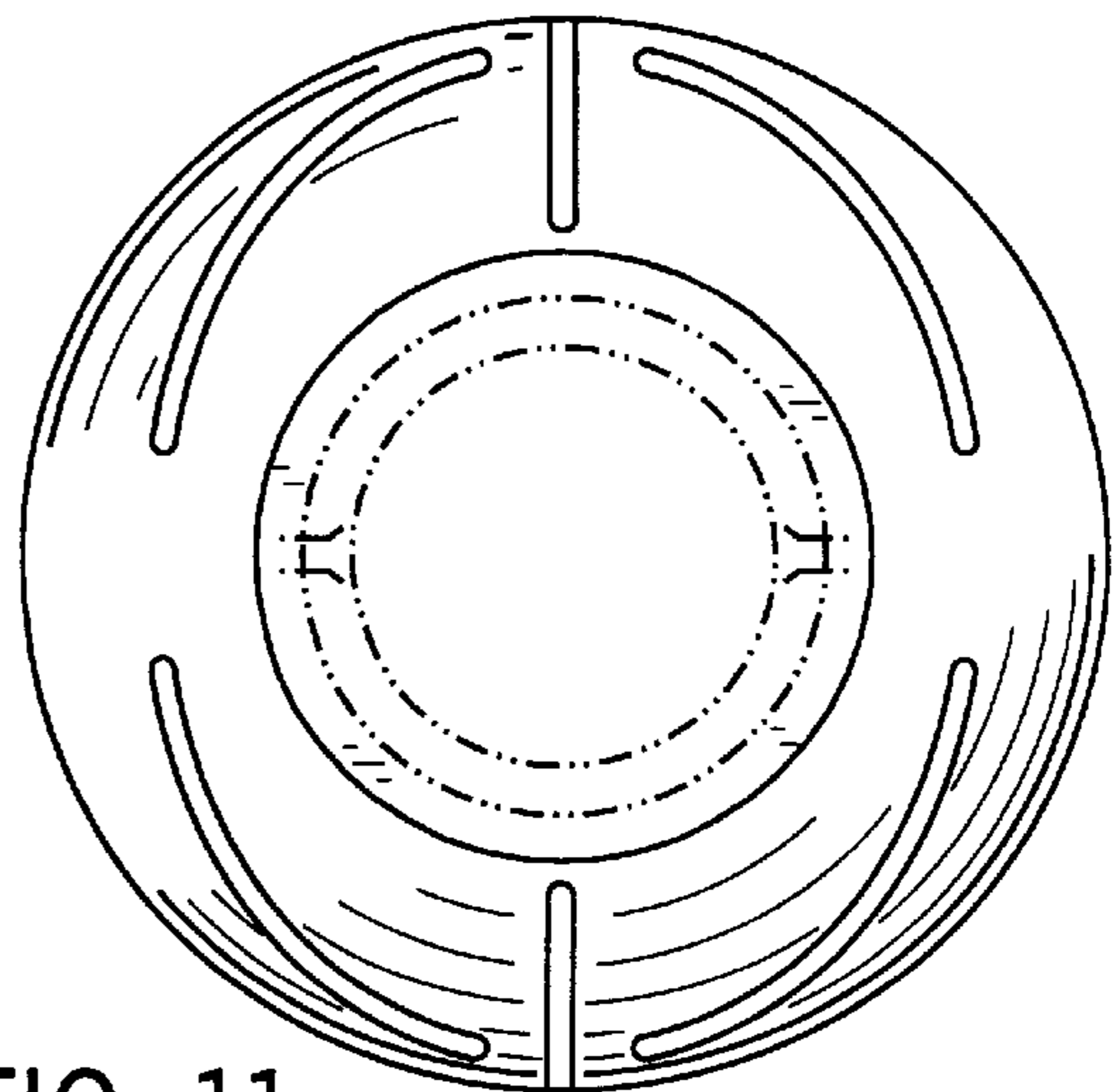


FIG. 11