



US00D416166S

United States Patent [19]

Hirose et al.

[11] Patent Number: **Des. 416,166**

[45] Date of Patent: **** Nov. 9, 1999**

[54] **ADIABATIC COOKING WARE**

[75] Inventors: **Masato Hirose; Kunio Hatsumoto,**
both of Tokyo, Japan

[73] Assignee: **Nippon Sanso Corporation,** Tokyo,
Japan

[**] Term: **14 Years**

[21] Appl. No.: **29/080,432**

[22] Filed: **Dec. 9, 1997**

[30] Foreign Application Priority Data

Jun. 13, 1997 [JP] Japan 9-57913

[51] **LOC (6) Cl.** **07-02**

[52] **U.S. Cl.** **D7/360**

[58] **Field of Search** D7/323, 354-361;
99/403, 413, 417, 425, 426, 324; 220/912,
573.1, 573.4

[56] References Cited

U.S. PATENT DOCUMENTS

- D. 302,375 7/1989 Kitakaze et al. D7/361
- D. 338,132 8/1993 Chang D7/356
- D. 338,133 8/1993 Mano et al. D7/360

- D. 368,621 4/1996 Mano D7/360
- D. 376,724 12/1996 Mendelson et al. D7/360
- 5,251,542 10/1993 Itoh et al. D7/354 X

FOREIGN PATENT DOCUMENTS

- 859480 1/1993 Japan .
- 965806 10/1996 Japan .
- 965806 11/1997 Japan .

Primary Examiner—Caron D. Veynar
Attorney, Agent, or Firm—McDermott, Will & Emery

[57] CLAIM

The ornamental design for the adiabatic cooking ware, as shown and described.

DESCRIPTION

FIG. 1 is a perspective view of an adiabatic cooking ware showing our new design;
FIG. 2 is a front elevational view thereof;
FIG. 3 is a rear elevational view thereof;
FIG. 4 is a right side elevational view thereof;
FIG. 5 is a left side elevational view thereof;
FIG. 6 is a top plan view thereof;
FIG. 7 is a bottom plan view thereof; and,
FIG. 8 is an exploded perspective view thereof.

1 Claim, 5 Drawing Sheets

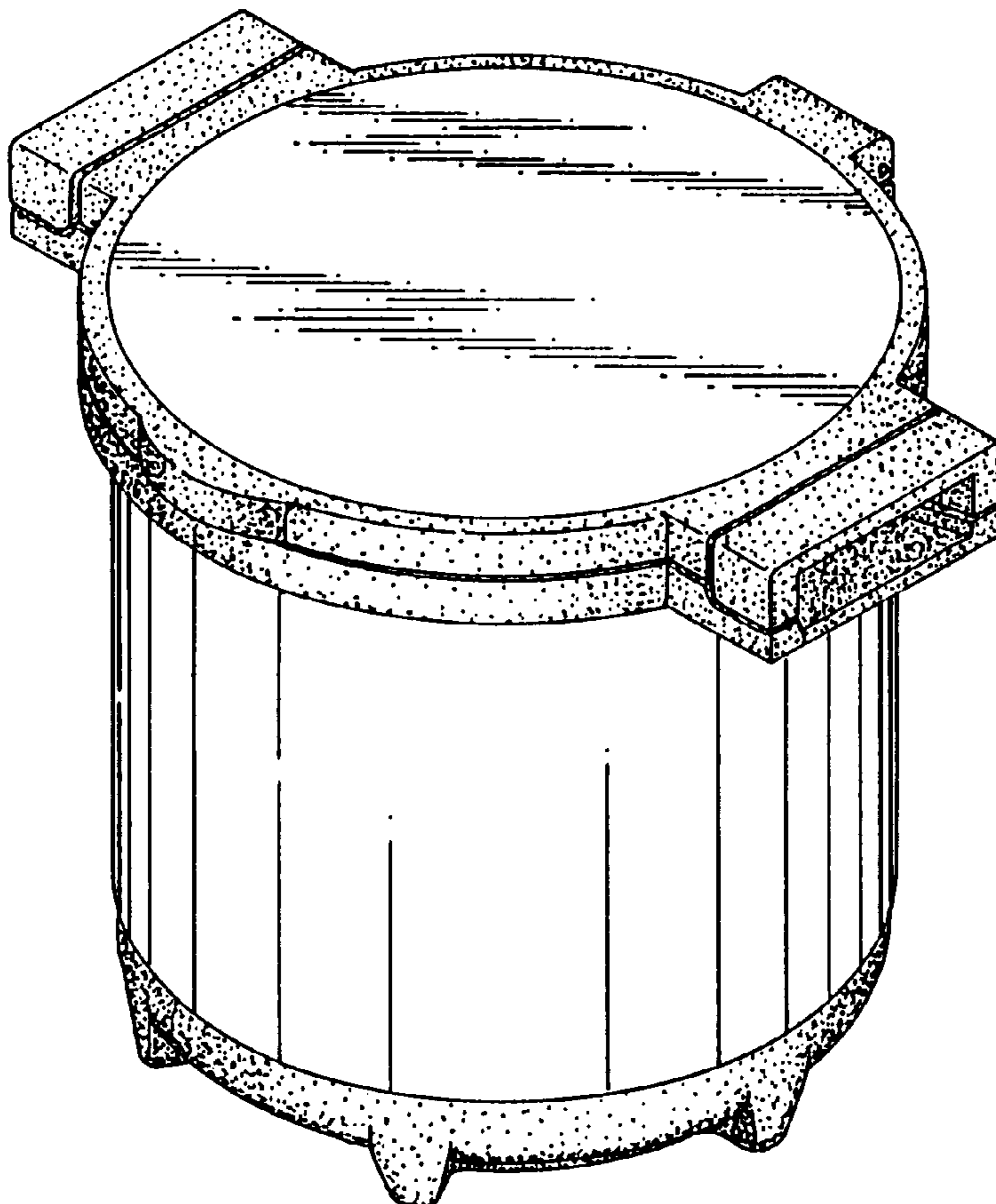


FIG. 1

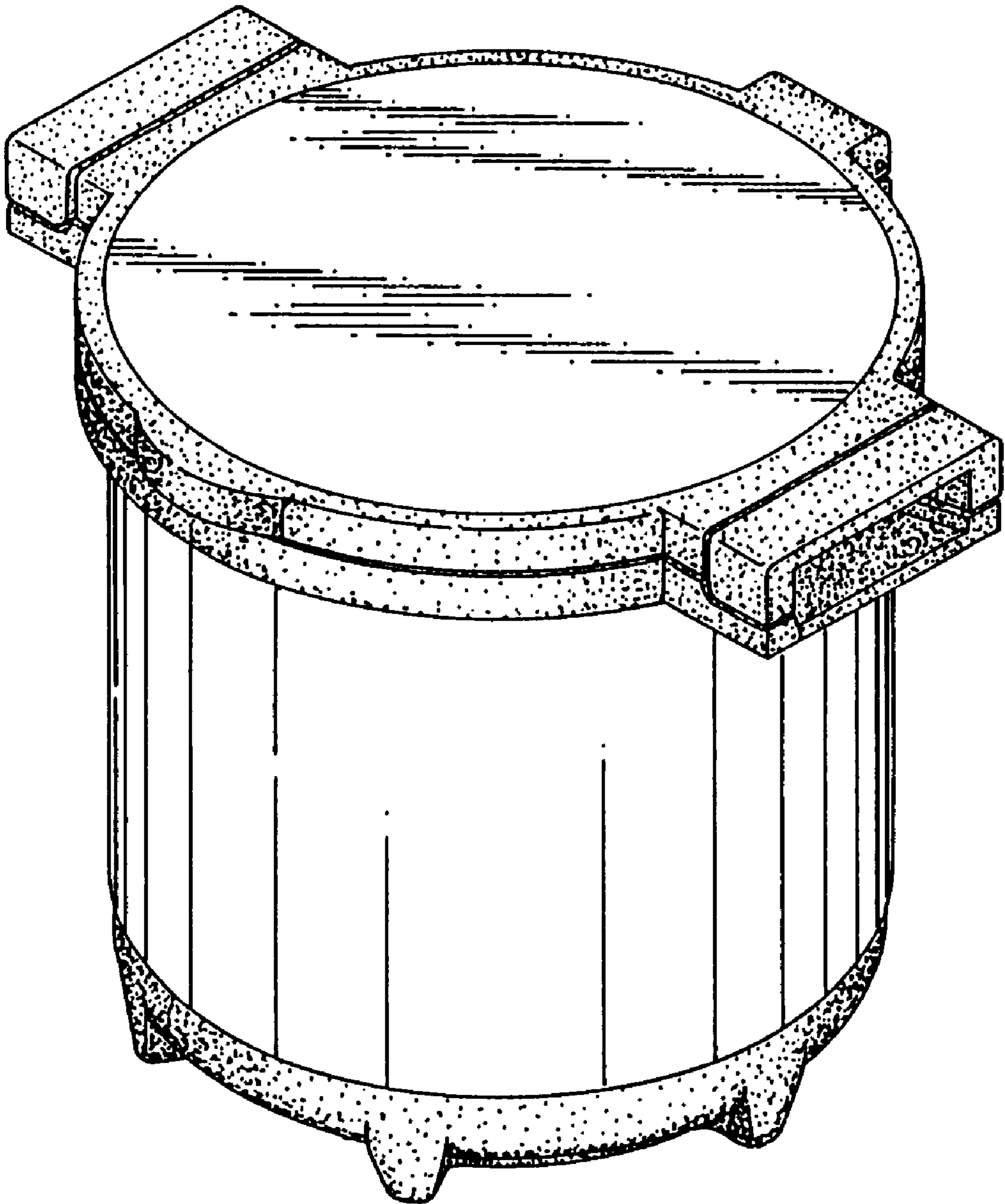


FIG. 2

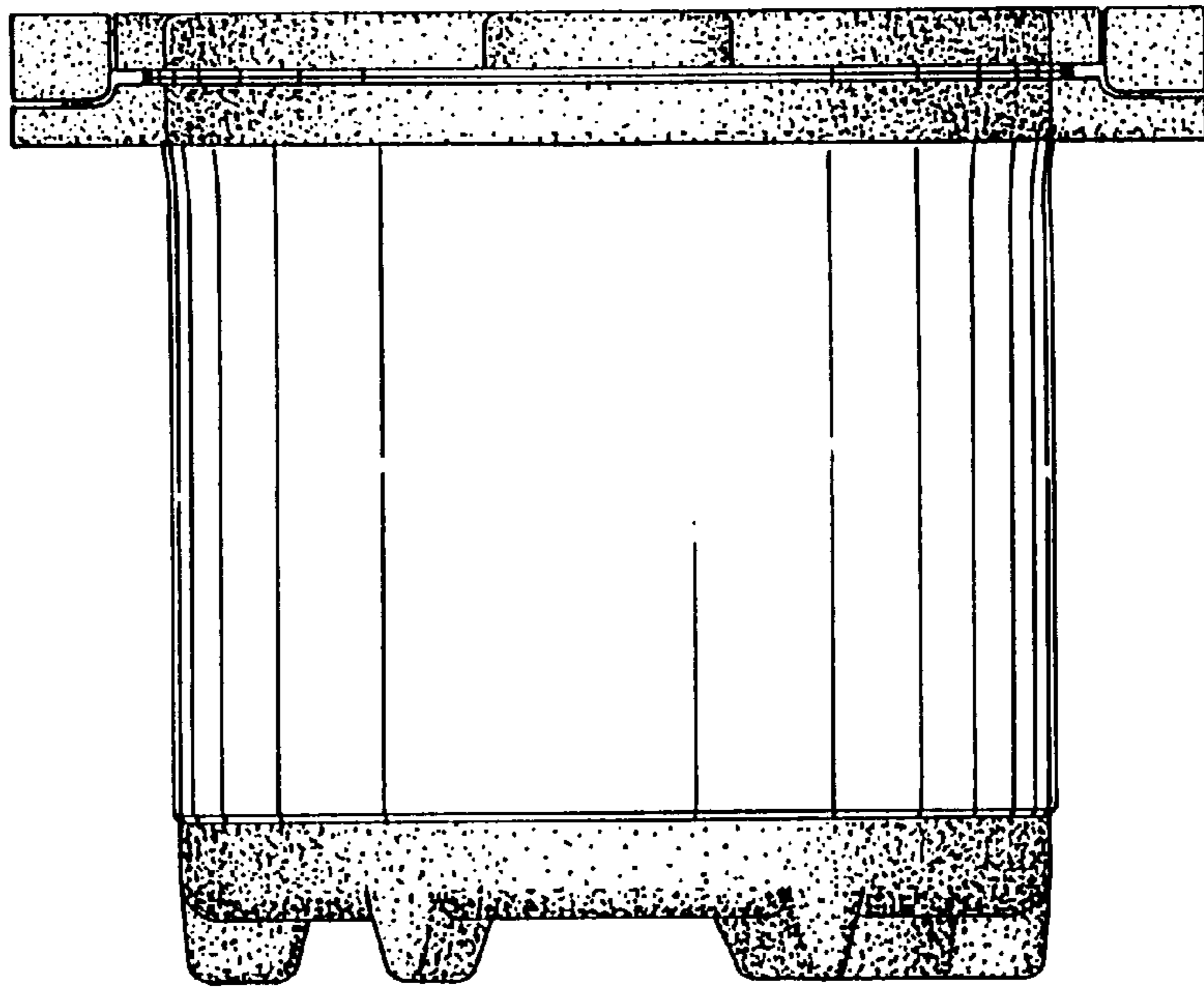


FIG. 3

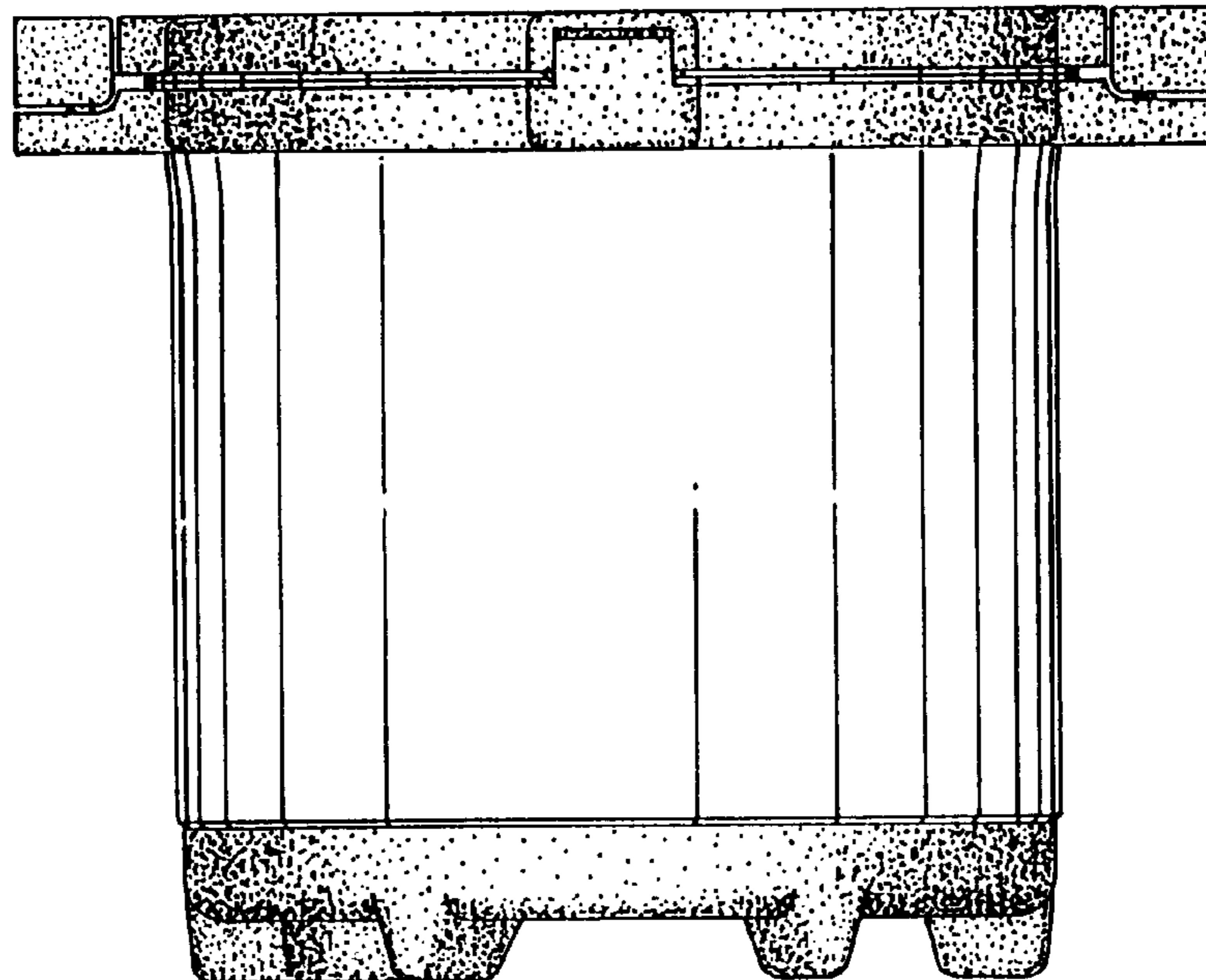


FIG. 4

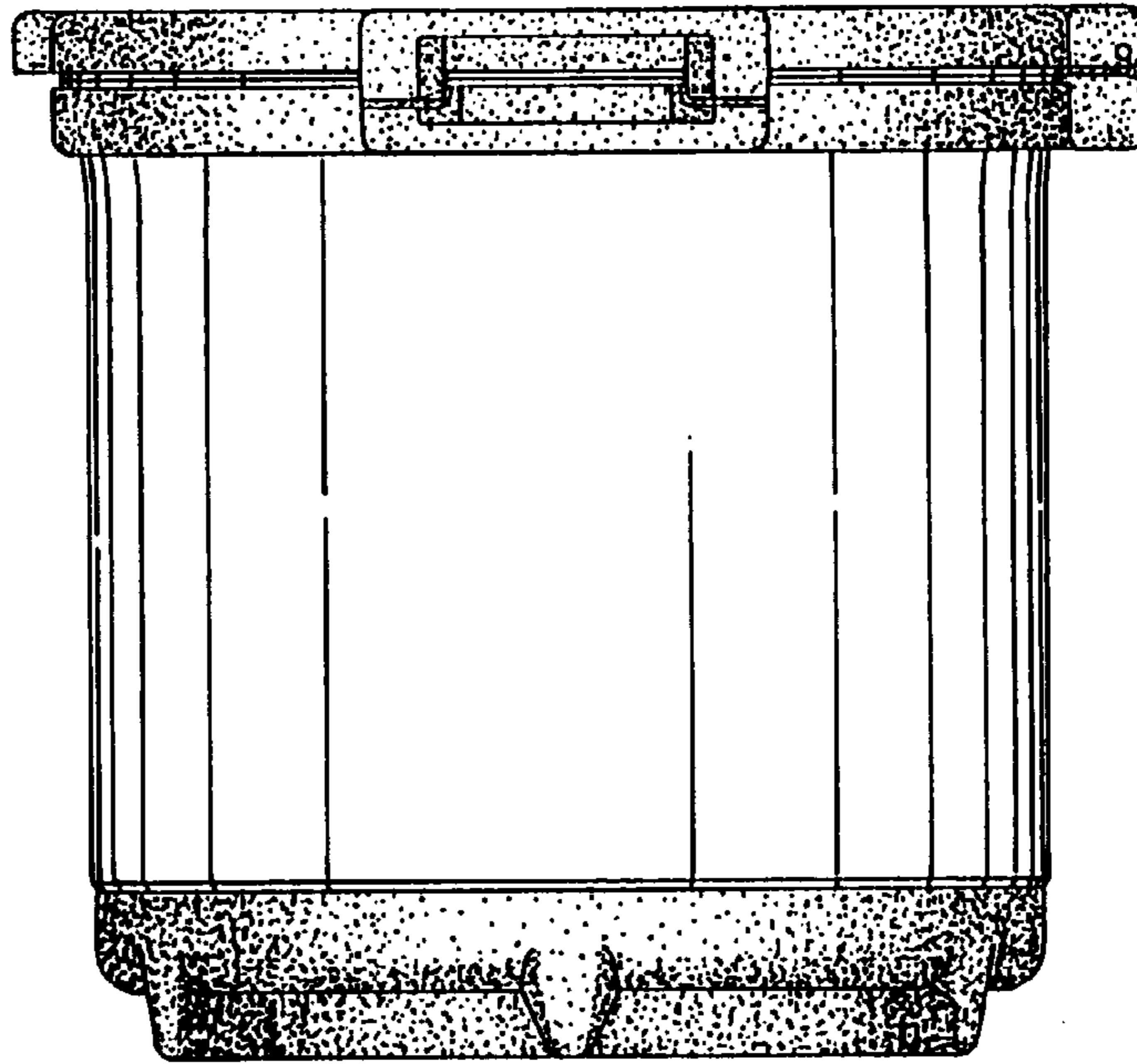


FIG. 5

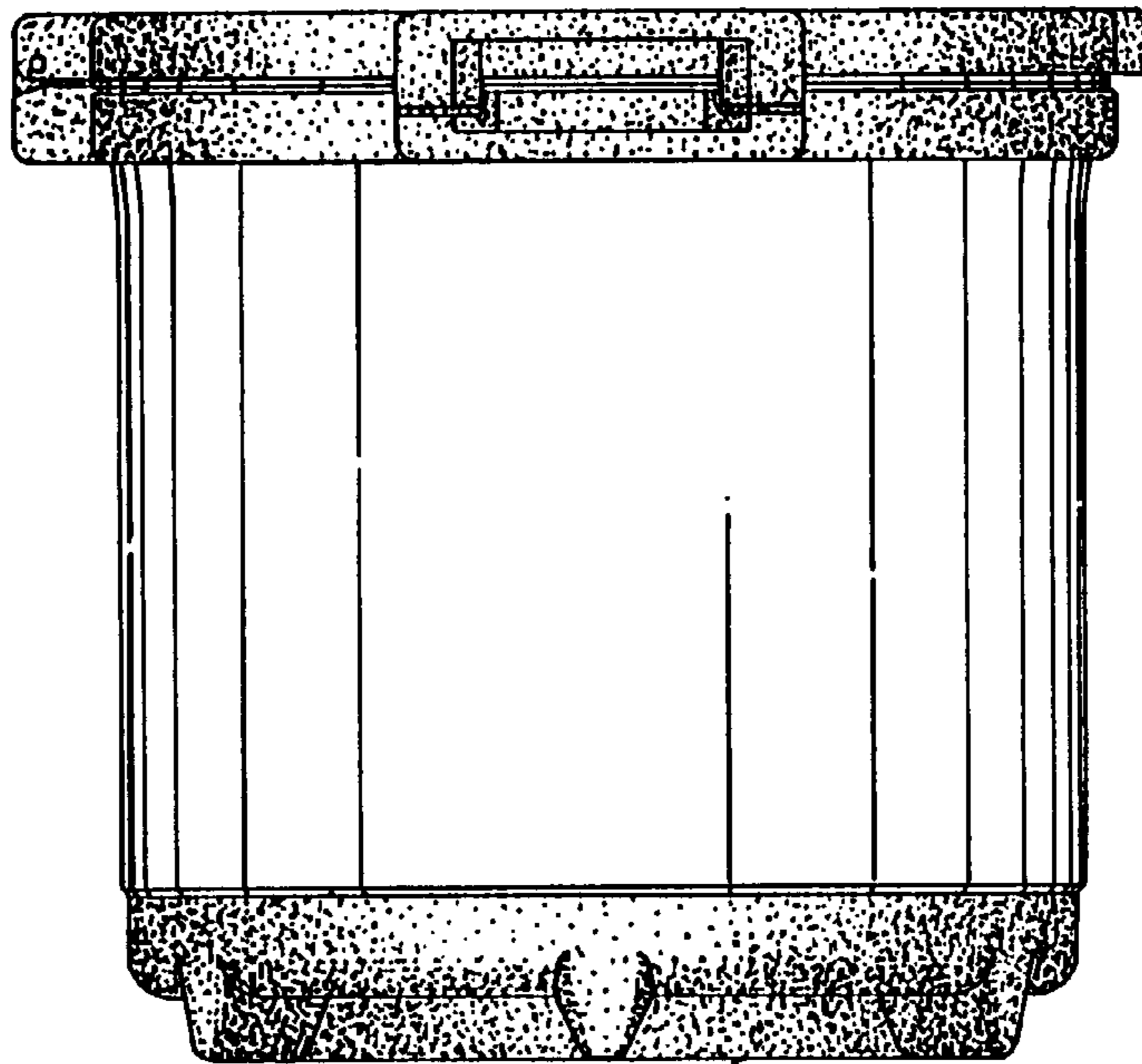


FIG. 6

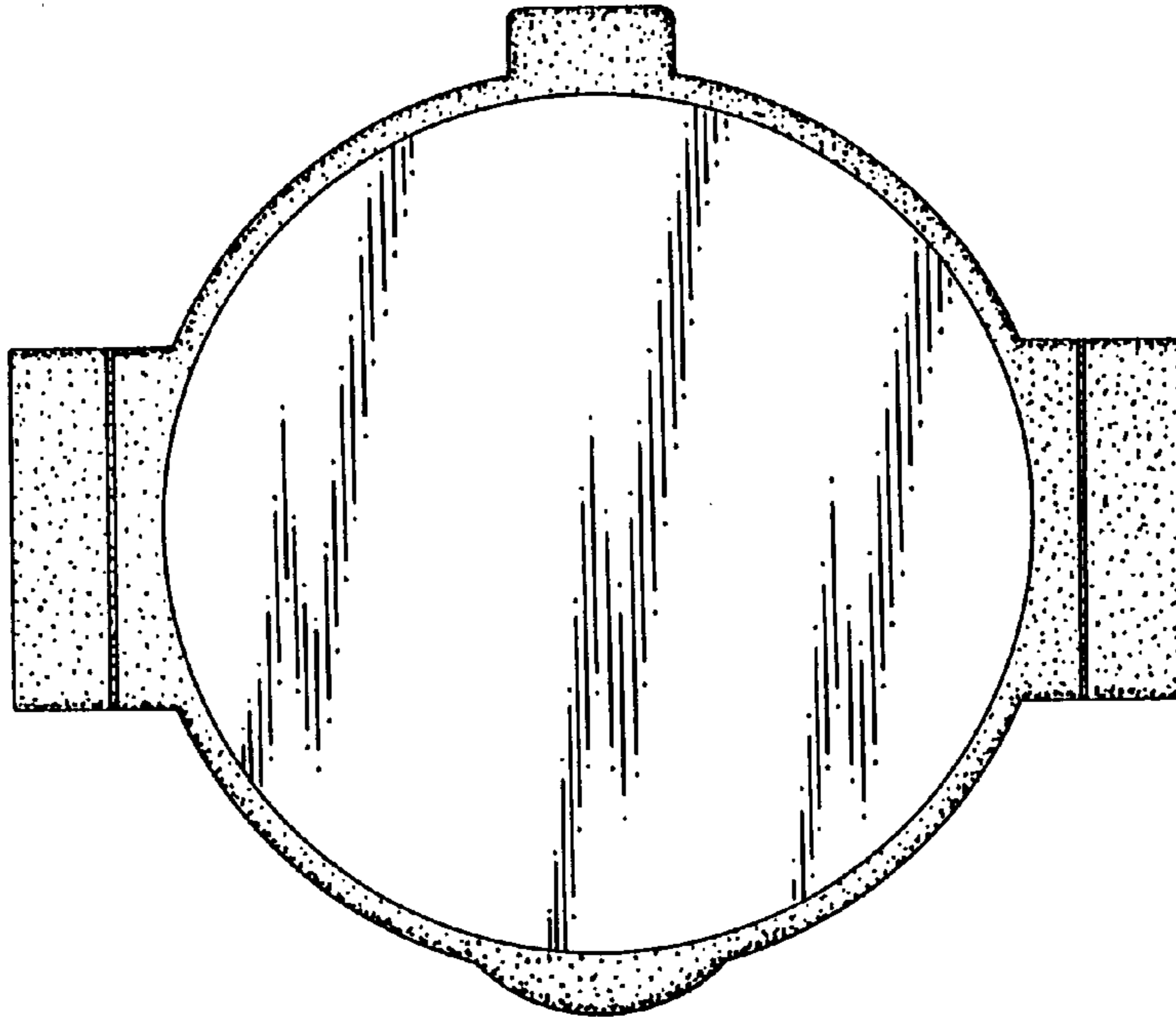


FIG. 7

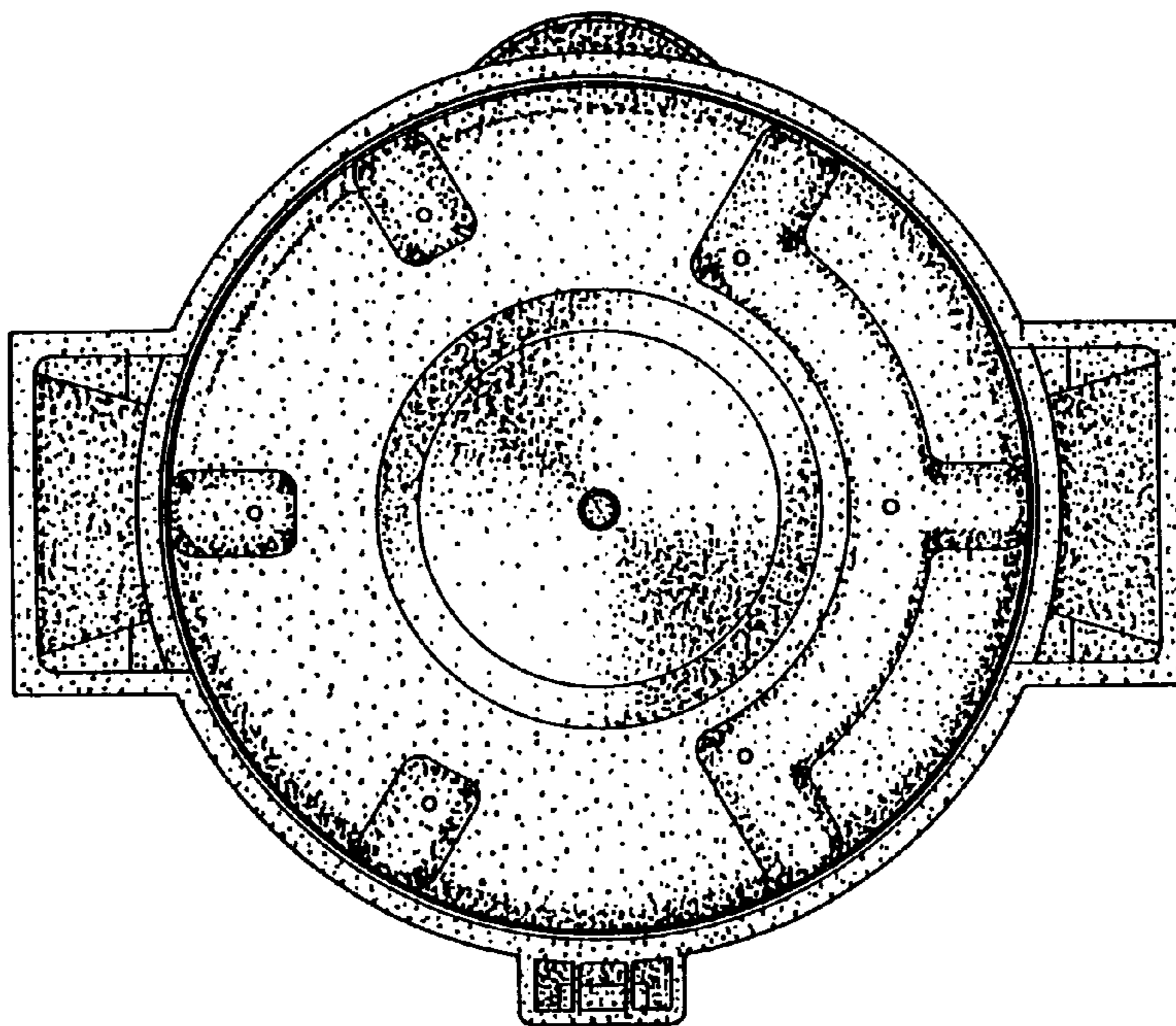


FIG. 8

