



US00D416164S

United States Patent [19]

Wagner et al.

[11] Patent Number: **Des. 416,164**

[45] Date of Patent: **** Nov. 9, 1999**

[54] **COMBINED BARBECUE GRILL AND CART**

[75] Inventors: **Wesley J. Wagner**, Columbus; **Brian Coleman**, Midland; **Ted Bacon**, Columbus; **Ron Hurst**, Midland; **Hal Campbell**, Columbus, all of Ga.

[73] Assignee: **W. C. Bradley Co.**, Columbus, Ga.

[**] Term: **14 Years**

[21] Appl. No.: **29/074,806**

[22] Filed: **Aug. 7, 1997**

[51] **LOC (6) Cl.** **07-02**

[52] **U.S. Cl.** **D7/334**

[58] **Field of Search** D7/332-338, 402-404, D7/406, 409; 99/419, 421 R, 421 A, 421 HV, 421 HH, 421 TP, 421 V; 126/25 R, 25 A, 25 AA, 26, 9, 40, 41 R, 41 A, 41 B

[56] **References Cited**

U.S. PATENT DOCUMENTS

D. 196,996 11/1963 Kates D7/334

D. 373,701 9/1996 Moore D7/334
5,033,449 7/1991 Hanagan 126/39 BA
5,163,358 11/1992 Hanagan et al. 99/339
5,406,159 4/1995 Bussey 126/25 R
5,505,190 4/1996 Kalenian 126/41 R

Primary Examiner—Ruth McInroy
Attorney, Agent, or Firm—James W. Kayden; Thomas, Kayden, Horstemeyer & Risley, LLP

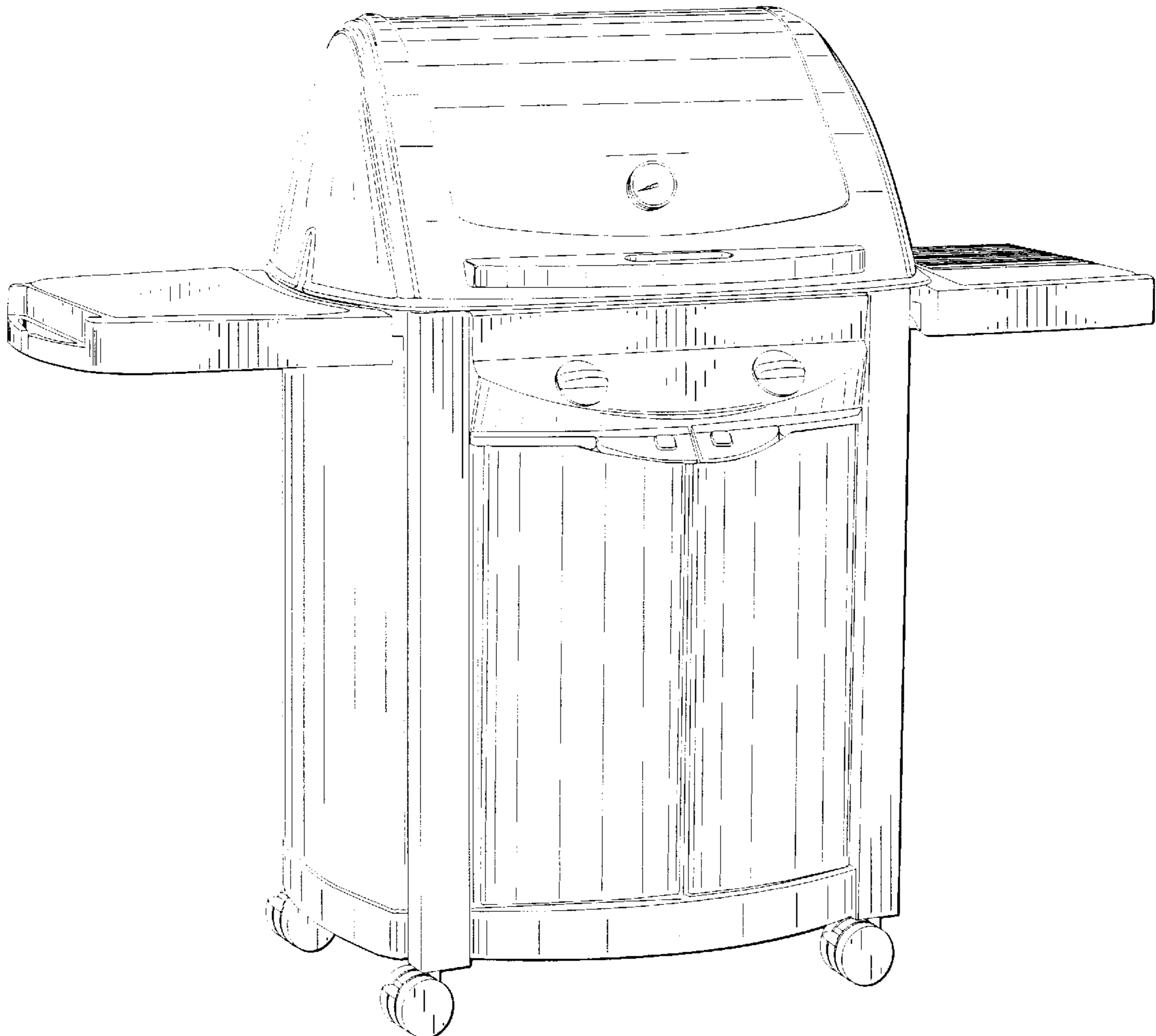
[57] **CLAIM**

The ornamental design entitled combined barbecue grill and cart, as shown and described.

DESCRIPTION

FIG. 1 is a perspective view of a combined barbecue grill and cart showing our new design; FIG. 2 is a right side elevational view thereof; FIG. 3 is a left side elevational view thereof; FIG. 4 is a front elevational view thereof; FIG. 5 is a rear elevational view thereof; FIG. 6 is a top plan view thereof; and, FIG. 7 is a bottom plan view thereof.

1 Claim, 6 Drawing Sheets



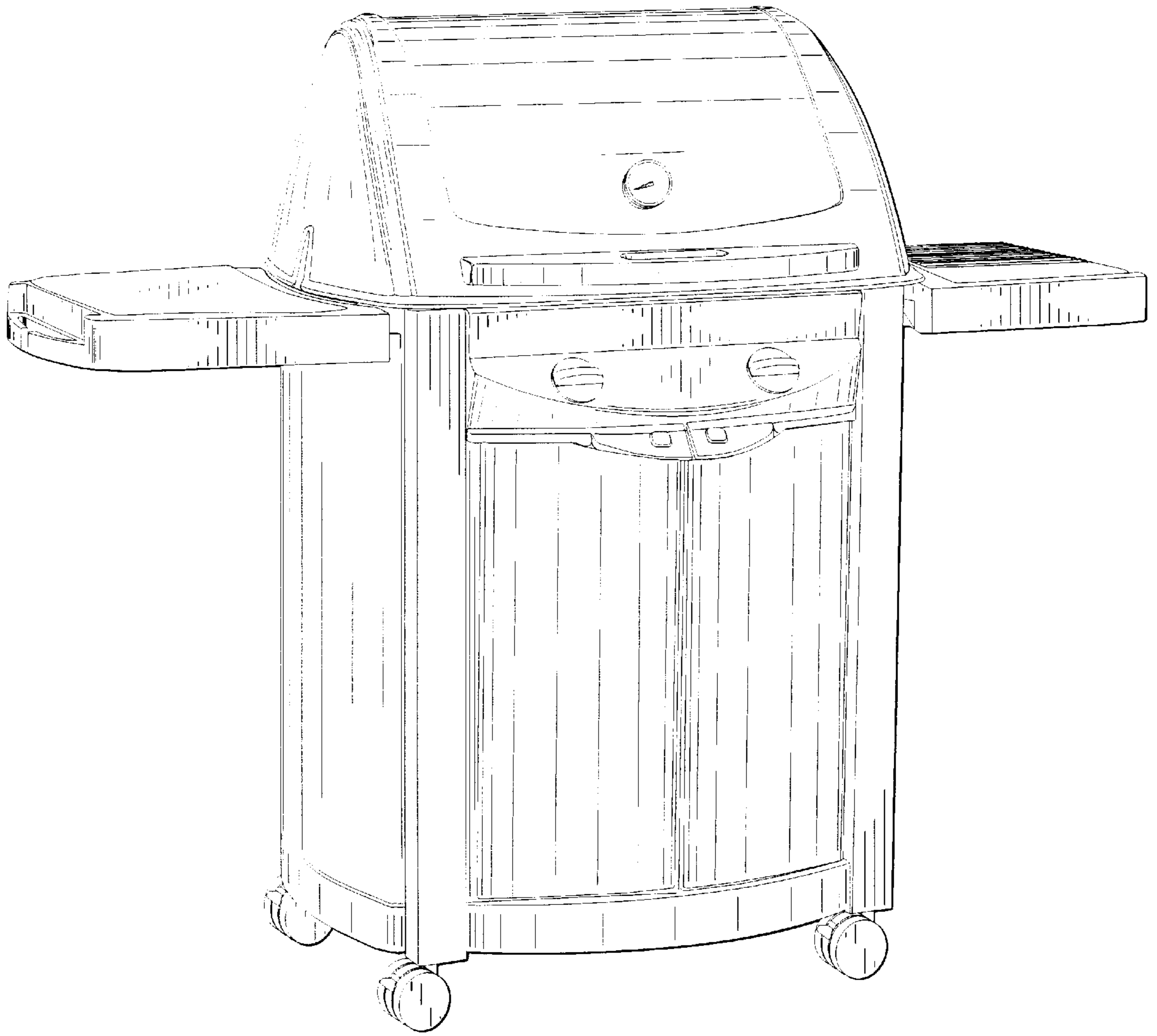


FIG. 1

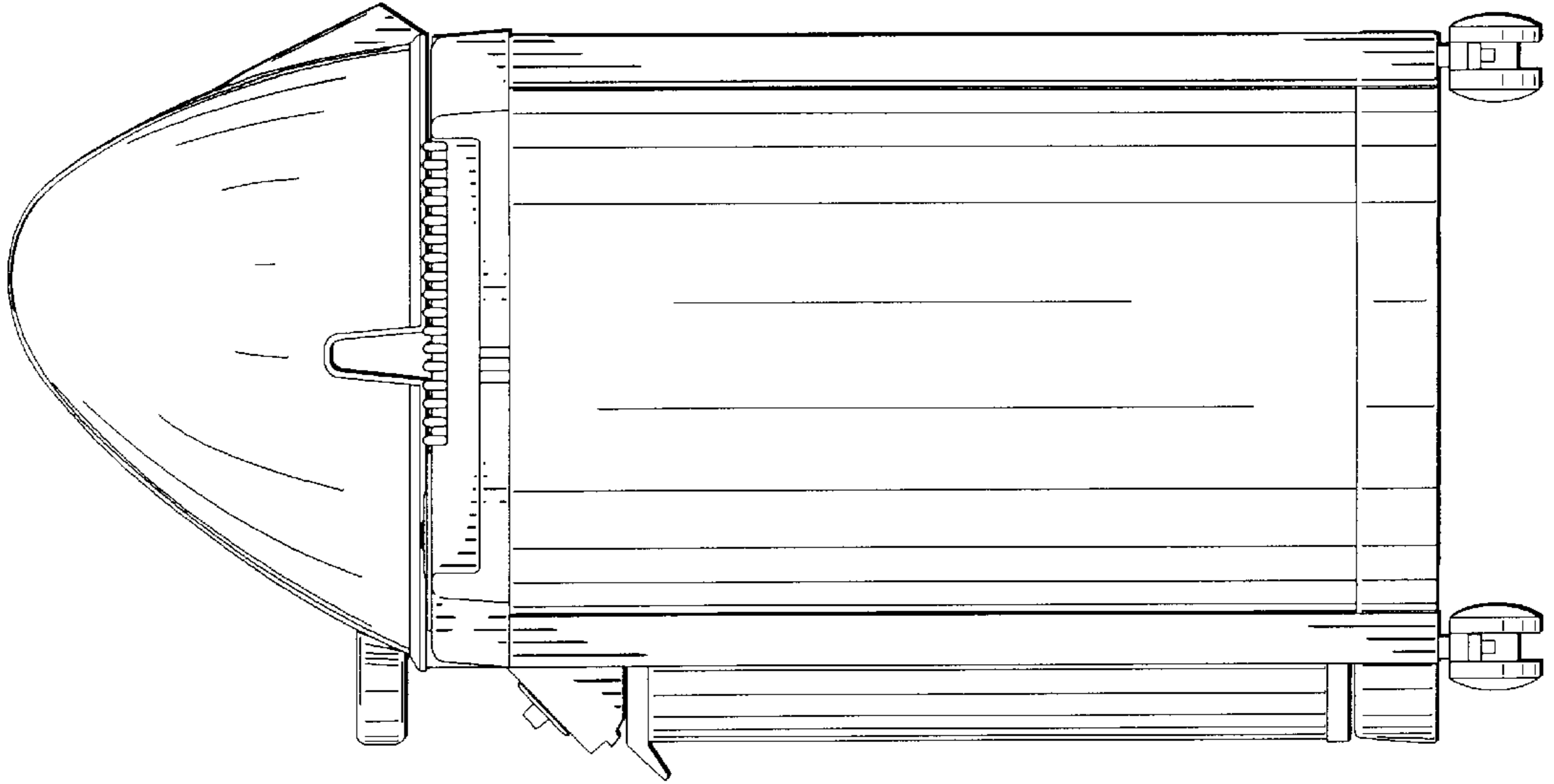


FIG. 3

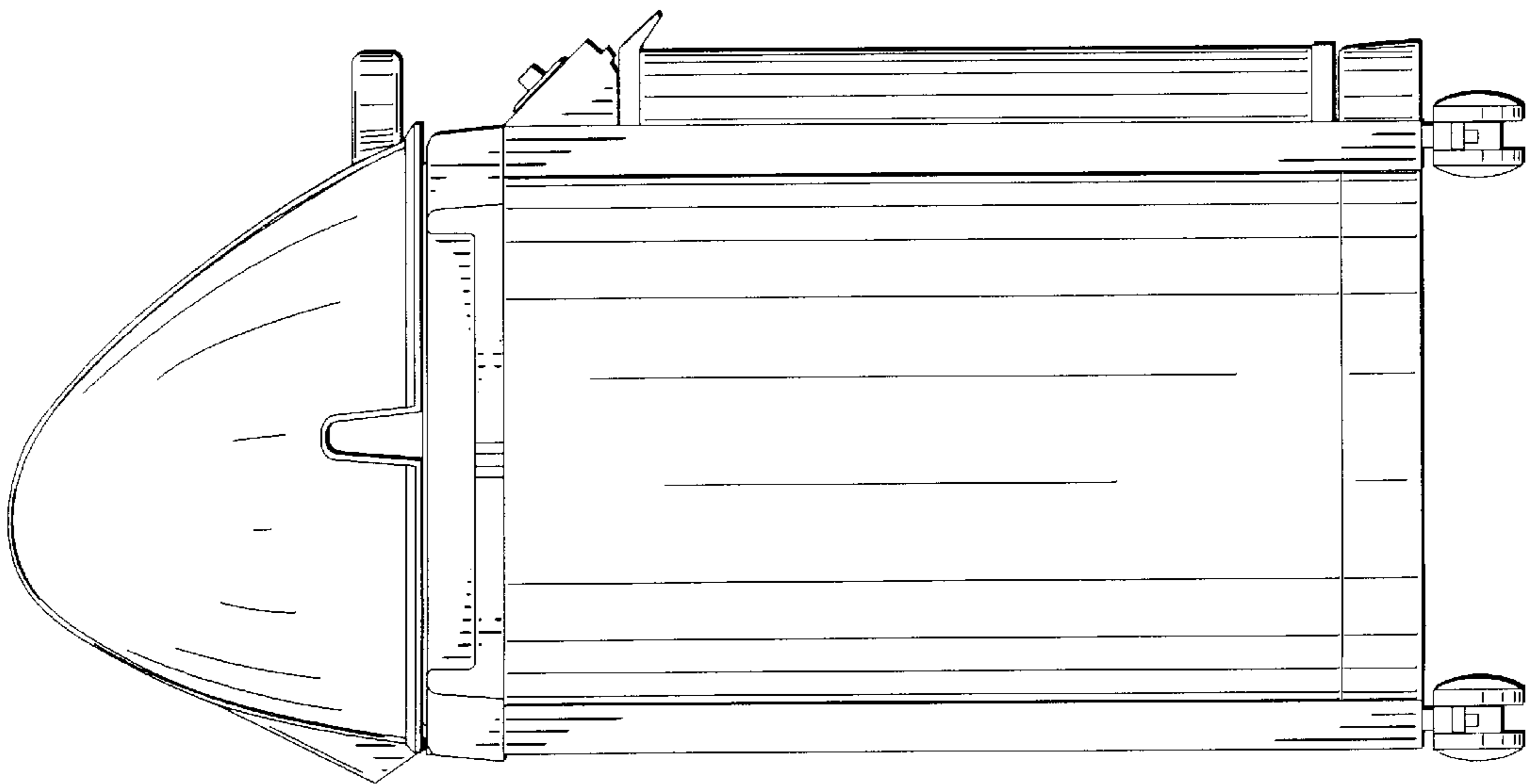


FIG. 2

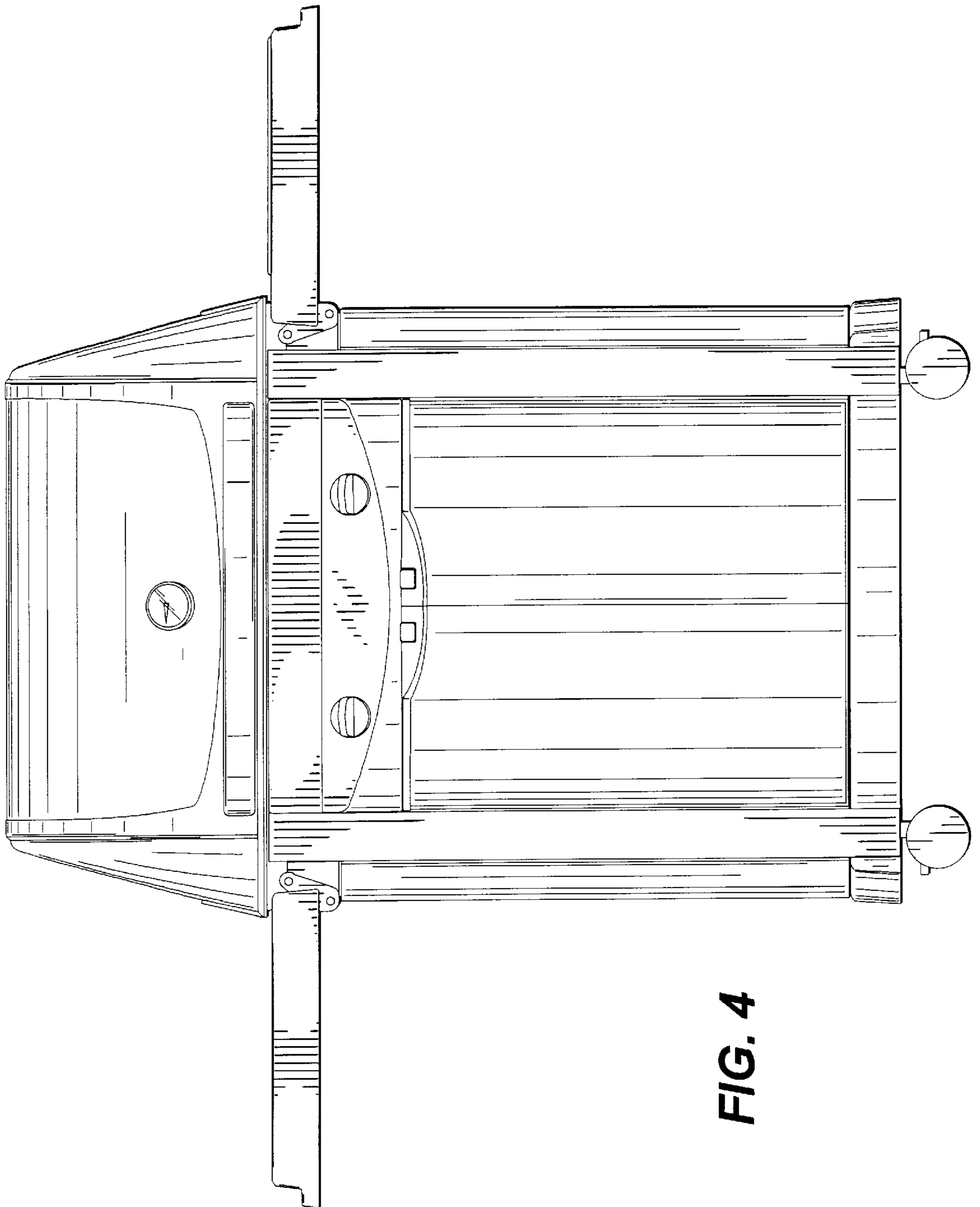


FIG. 4

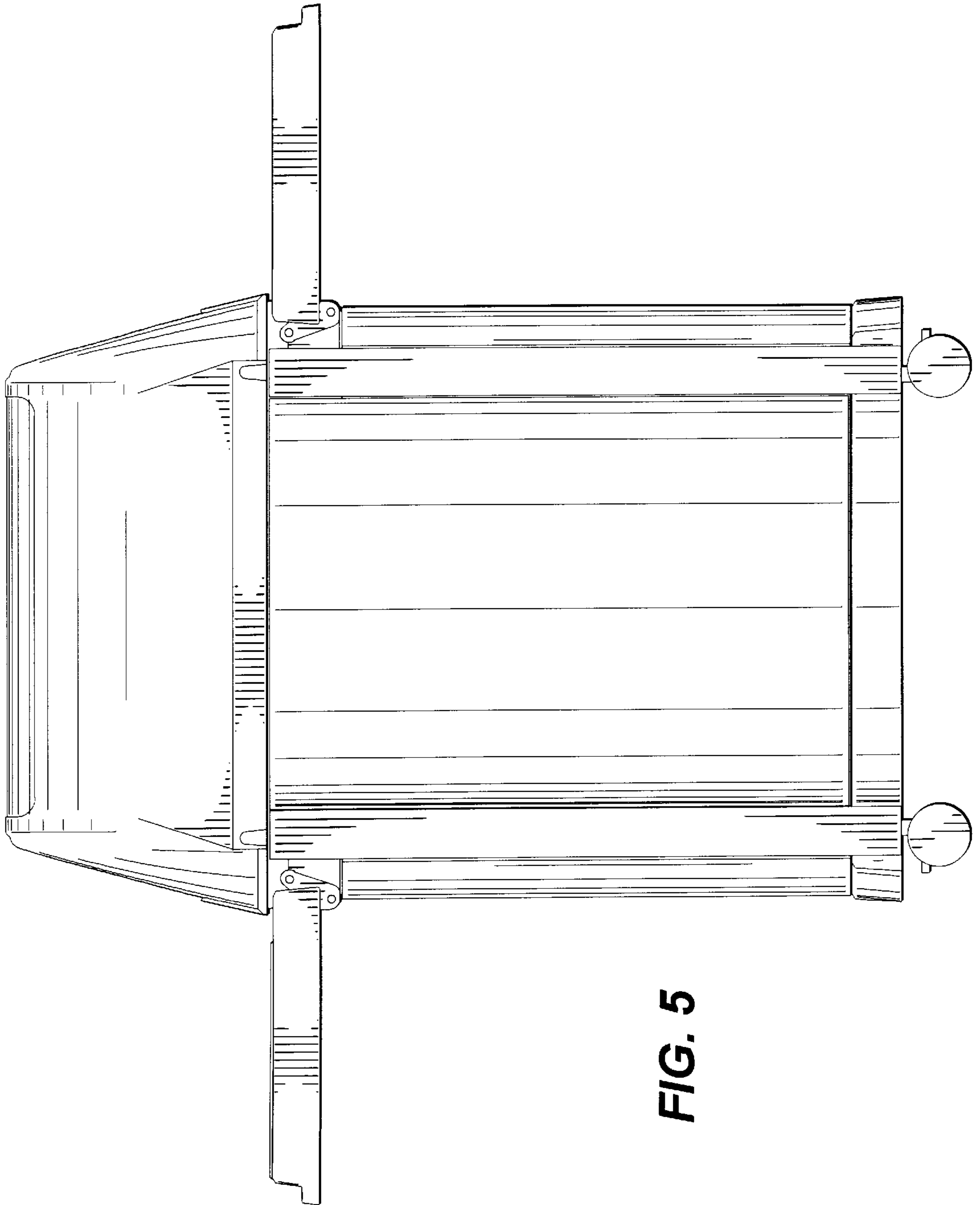


FIG. 5

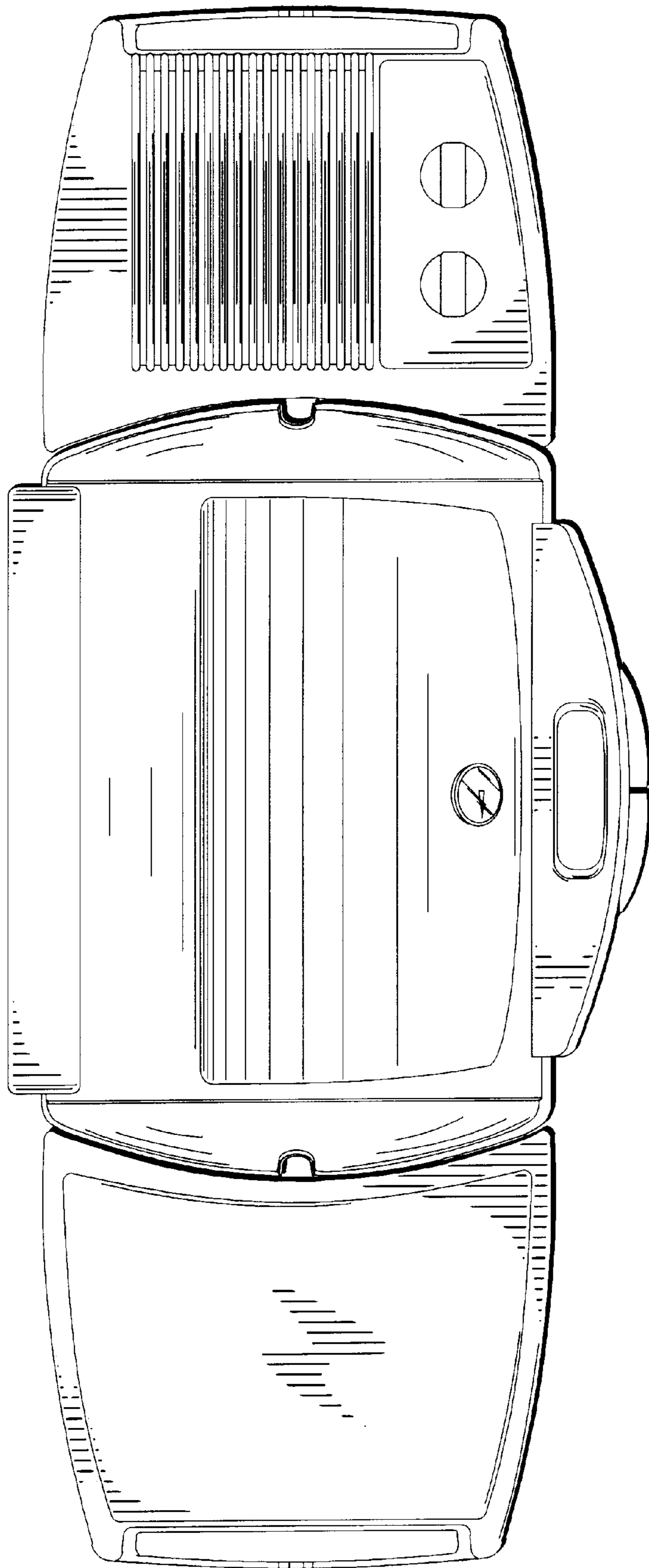


FIG. 6

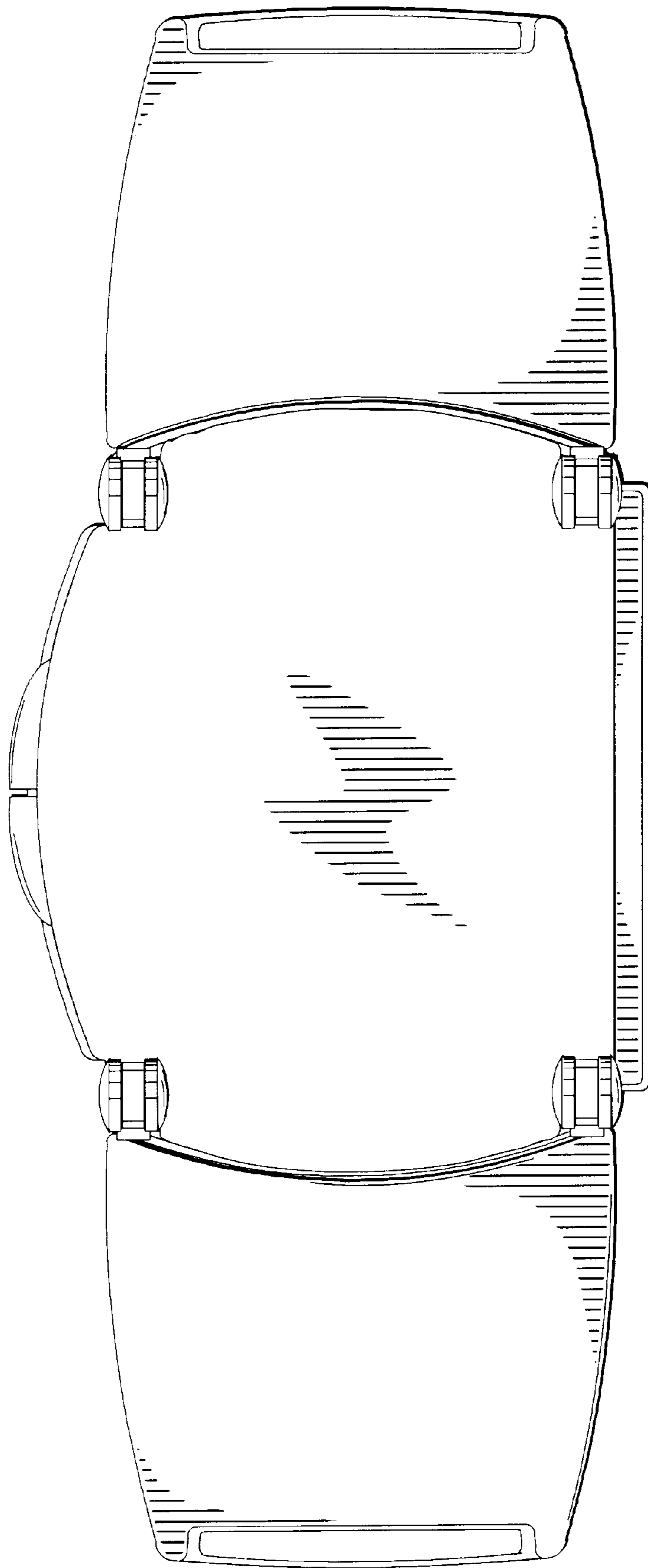


FIG. 7