



US00D416155S

United States Patent [19]

[11] Patent Number: Des. 416,155

Helmsderfer et al.

[45] Date of Patent: ** Nov. 9, 1999

[54] **PORTION OF A BASE FOR A BABY DIAPER CHANGING STATION**

[75] Inventors: **John A. Helmsderfer**, 2151 Luray Ave., Cincinnati, Ohio 45206; **David Memke**, Cincinnati, Ohio

[73] Assignee: **John A. Helmsderfer**, Cincinnati, Ohio

[**] Term: **14 Years**

[21] Appl. No.: **29/087,405**

[22] Filed: **May 1, 1998**

Related U.S. Application Data

[63] Continuation of application No. 29/085,169, Mar. 17, 1998, Pat. No. Des. 408,190.

[51] **LOC (6) Cl.** **08-08**

[52] **U.S. Cl.** **D6/555**

[58] **Field of Search** D6/555, 553, 574, D6/567, 569, 559; 312/114, 126, 128-129, 204, 231, 234, 242, 245; 211/13.1, 14, 34-35, 69.1, 70.6, 70.7, 90

References Cited

U.S. PATENT DOCUMENTS

- D. 31,412 1/1899 Dainty .
- D. 179,871 3/1957 Wrablica, Jr. .
- D. 243,048 1/1977 Touchett et al. .
- D. 243,213 2/1977 Kormos .
- D. 246,682 12/1977 Nakao .
- D. 248,805 8/1978 Bridges .
- D. 249,991 10/1978 Bridges .
- D. 250,800 1/1979 Trossman .
- D. 251,039 2/1979 Reppas .
- D. 255,734 7/1980 Liebman .
- D. 260,827 9/1981 Sommer .
- D. 263,532 3/1982 Ferdinand et al. .
- D. 265,703 8/1982 Zaro .
- D. 267,843 2/1983 Sundberg .
- D. 272,402 1/1984 Marrujo .
- D. 274,105 6/1984 Brescia et al. .
- D. 277,819 3/1985 Crosslen .
- D. 283,189 4/1986 Hampton .
- D. 284,530 7/1986 Riehm .

- D. 284,531 7/1986 Riehm .
- D. 284,723 7/1986 Morris et al. .
- D. 287,200 12/1986 Gecchelin .
- D. 287,318 12/1986 Garduno .
- D. 293,403 12/1987 Umanoff et al. .
- D. 293,404 12/1987 Murphy .
- D. 294,096 2/1988 Murphy .
- D. 295,007 4/1988 Hardy et al. .
- D. 299,687 2/1989 Handler et al. .
- D. 302,088 7/1989 Burt .
- D. 302,772 8/1989 Friedman .
- D. 312,185 11/1990 Prater, Sr. .
- D. 313,516 1/1991 Socher .
- D. 314,486 2/1991 Day .
- D. 318,307 7/1991 Hahn et al. .
- D. 322,531 12/1991 Hobson .
- D. 325,309 4/1992 Worrell .
- D. 325,826 5/1992 Brunner et al. .
- D. 326,384 5/1992 Burt et al. .
- D. 327,786 7/1992 Ferrell .
- D. 329,950 10/1992 Takahashi et al. .
- D. 332,197 1/1993 Chase .

(List continued on next page.)

Primary Examiner—Brian N. Vinson
Attorney, Agent, or Firm—Wood, Herron & Evans, LLP

[57] CLAIM

The ornamental design for a portion of a base for a baby diaper changing station, as shown and described.

DESCRIPTION

FIG. 1 is a perspective view of a portion of a base for a baby diaper changing station with a platform in an opened position on a wall and incorporating the new design of the invention, shown in full lines, with the broken lines illustrating the environment of the design;

FIG. 2 is a front view thereof;

FIG. 3 is a left side view thereof with the right side view being a mirror image of FIG. 3;

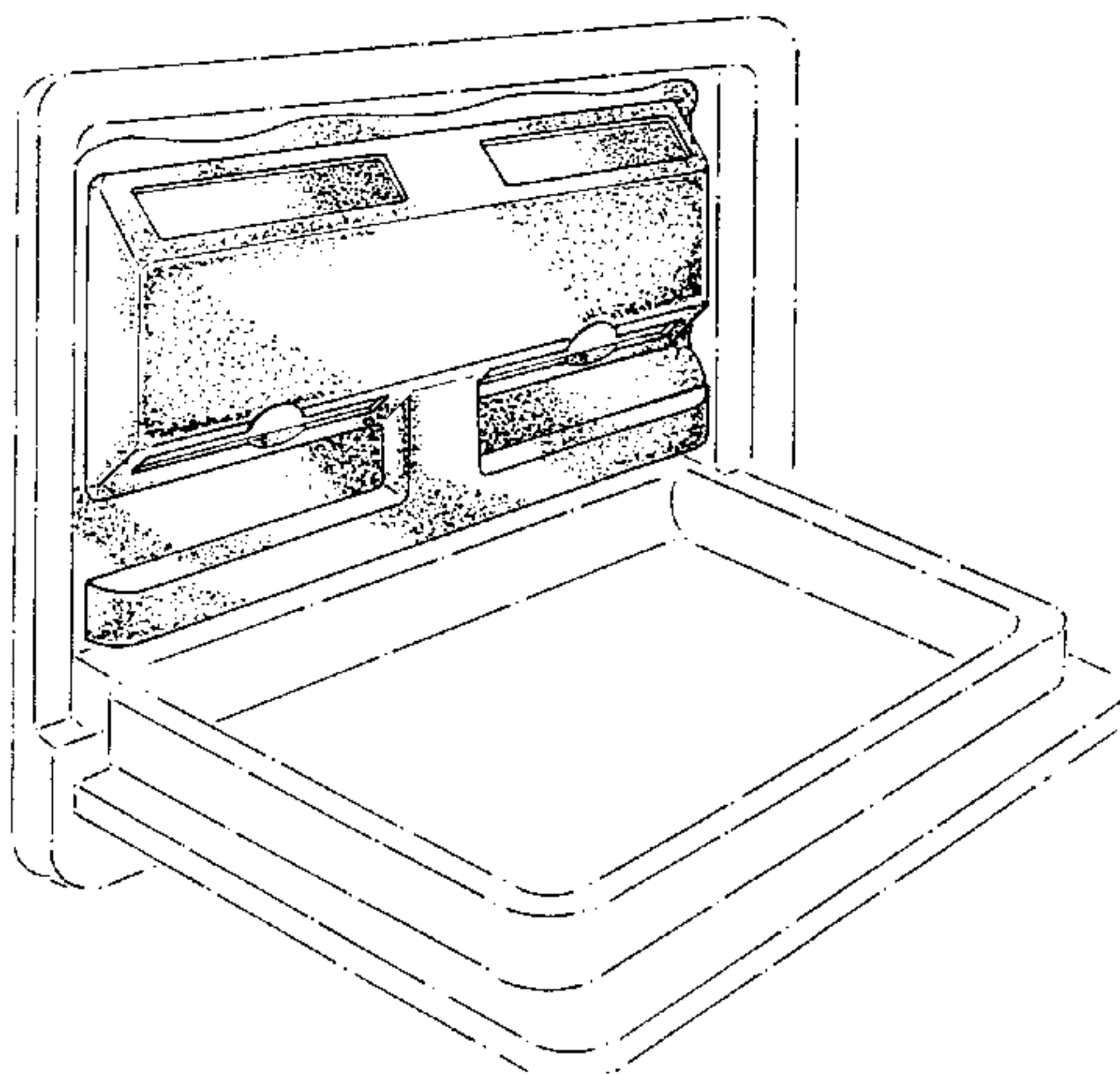
FIG. 4 is a rear view thereof;

FIG. 5 is a top view thereof;

FIG. 6 is a bottom view thereof; and,

FIG. 7 is a cross-sectional view thereof taken along lines 7—7 of FIG. 2.

1 Claim, 4 Drawing Sheets



U.S. PATENT DOCUMENTS

D. 333,389	2/1993	Saito et al. .	4,527,830	7/1985	Meyers .
D. 333,923	3/1993	Dainty .	4,633,789	1/1987	Kortering et al. .
D. 334,486	4/1993	Paradis et al. .	4,648,766	3/1987	Wollar .
D. 336,192	6/1993	Wedeking .	4,712,258	12/1987	Eves .
D. 338,110	8/1993	Peay .	4,723,493	2/1988	Siani et al. .
D. 378,966	4/1997	Helmsderfer .	4,788,726	12/1988	Rafalko .
D. 391,794	3/1998	Helmsderfer .	4,796,314	1/1989	Garduno .
2,174,363	1/1939	Eubank .	4,953,312	9/1990	Astolfi .
2,735,737	5/1956	Hancock .	4,965,896	10/1990	Berger et al. .
3,656,193	4/1972	Schneider et al. .	4,972,532	11/1990	Juan .
3,693,293	9/1972	Egan, Jr. et al. .	4,978,093	12/1990	Kennedy .
4,074,635	2/1978	Stauble .	5,072,979	12/1991	Swinton .
4,125,192	11/1978	Dayen .	5,081,724	1/1992	Takahashi et al. .
4,133,063	1/1979	Jones-Steele .	5,084,927	2/1992	Parkevich .
4,205,669	6/1980	Hamann .	5,161,270	11/1992	Najmabadi .
4,216,951	8/1980	Griffin .	5,265,296	11/1993	Abbas et al. .
4,522,381	6/1985	Ludwick .	5,754,999	5/1998	Helmsderfer .

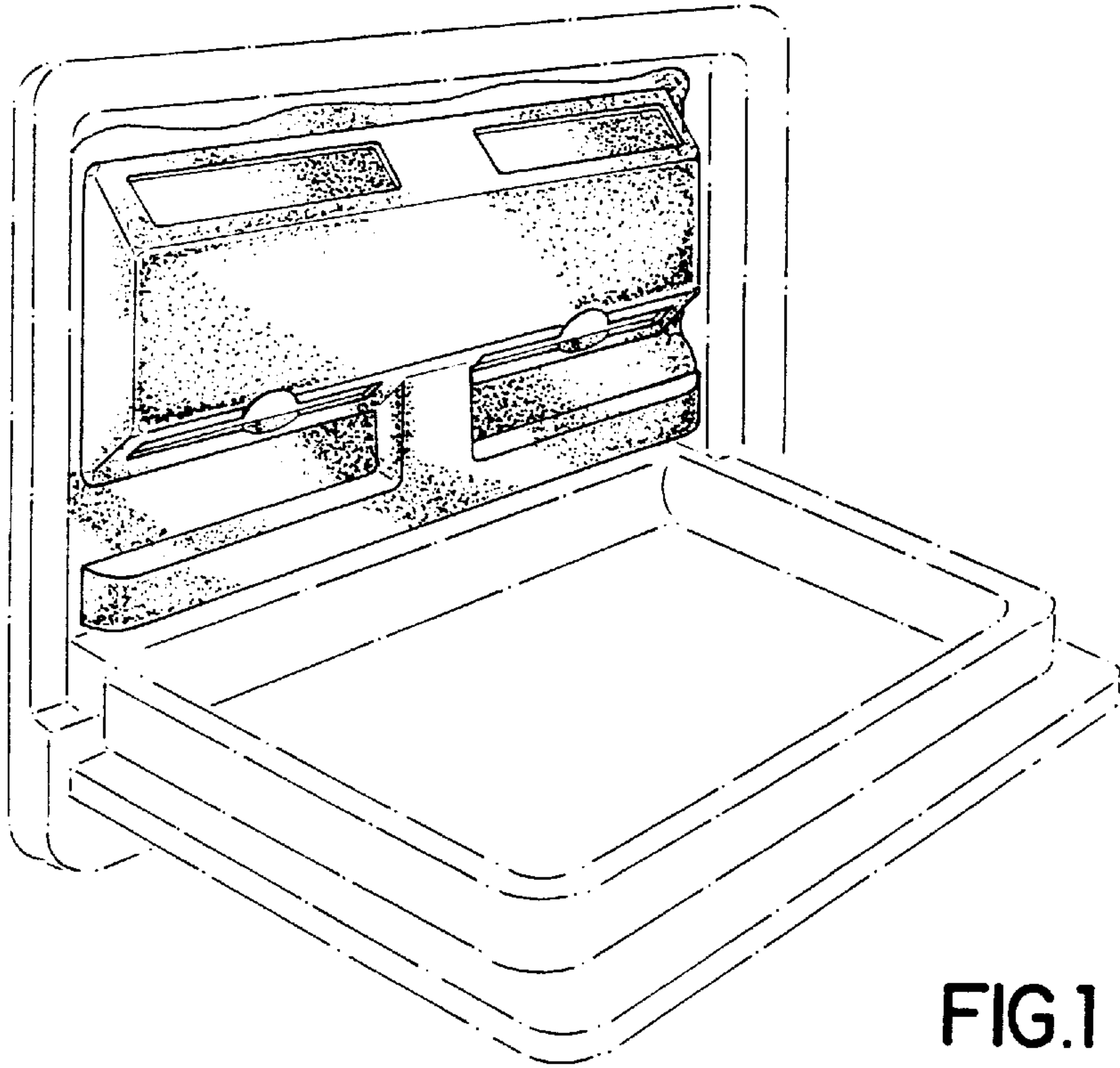
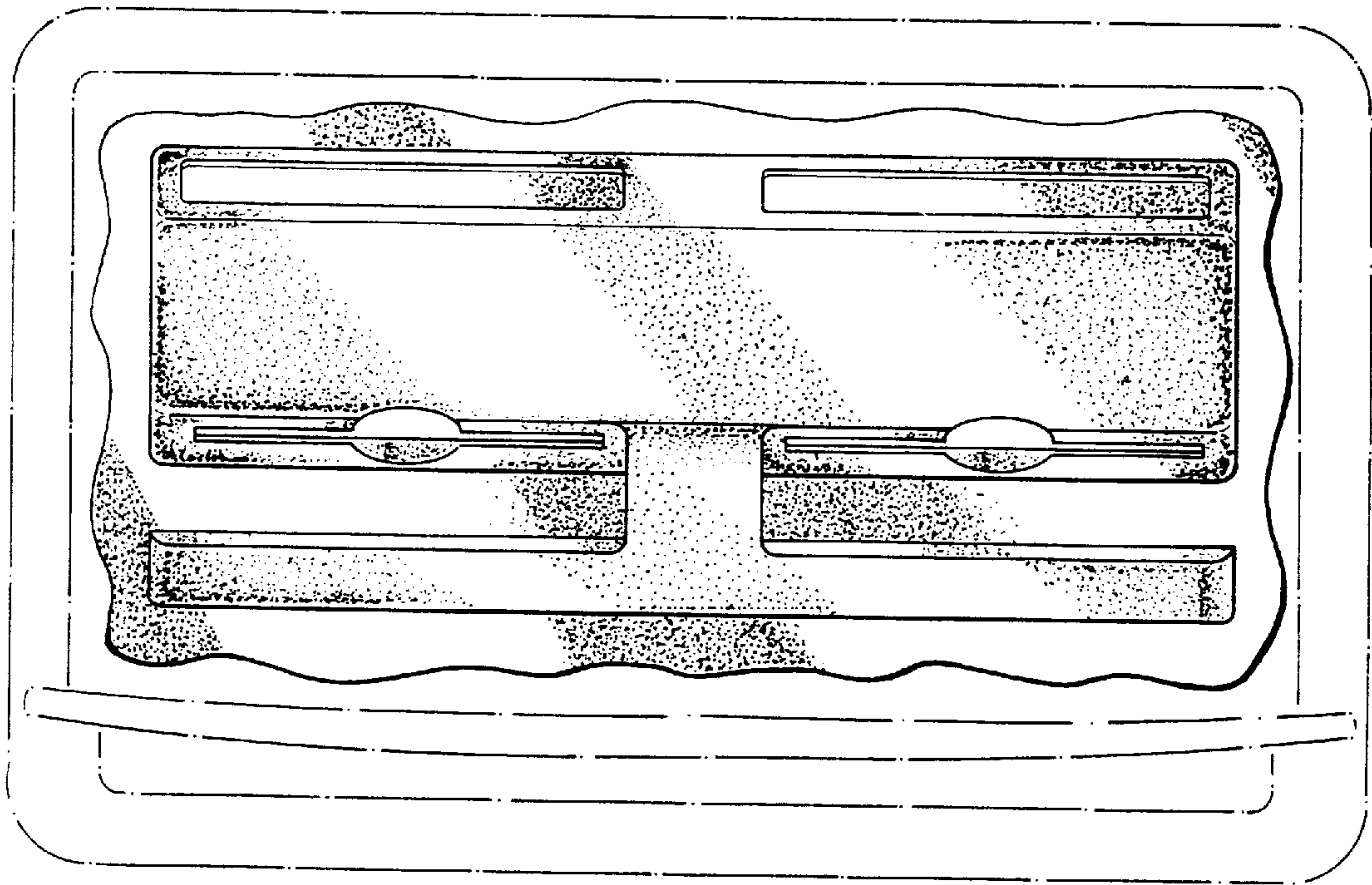


FIG.1

7



7

FIG.2

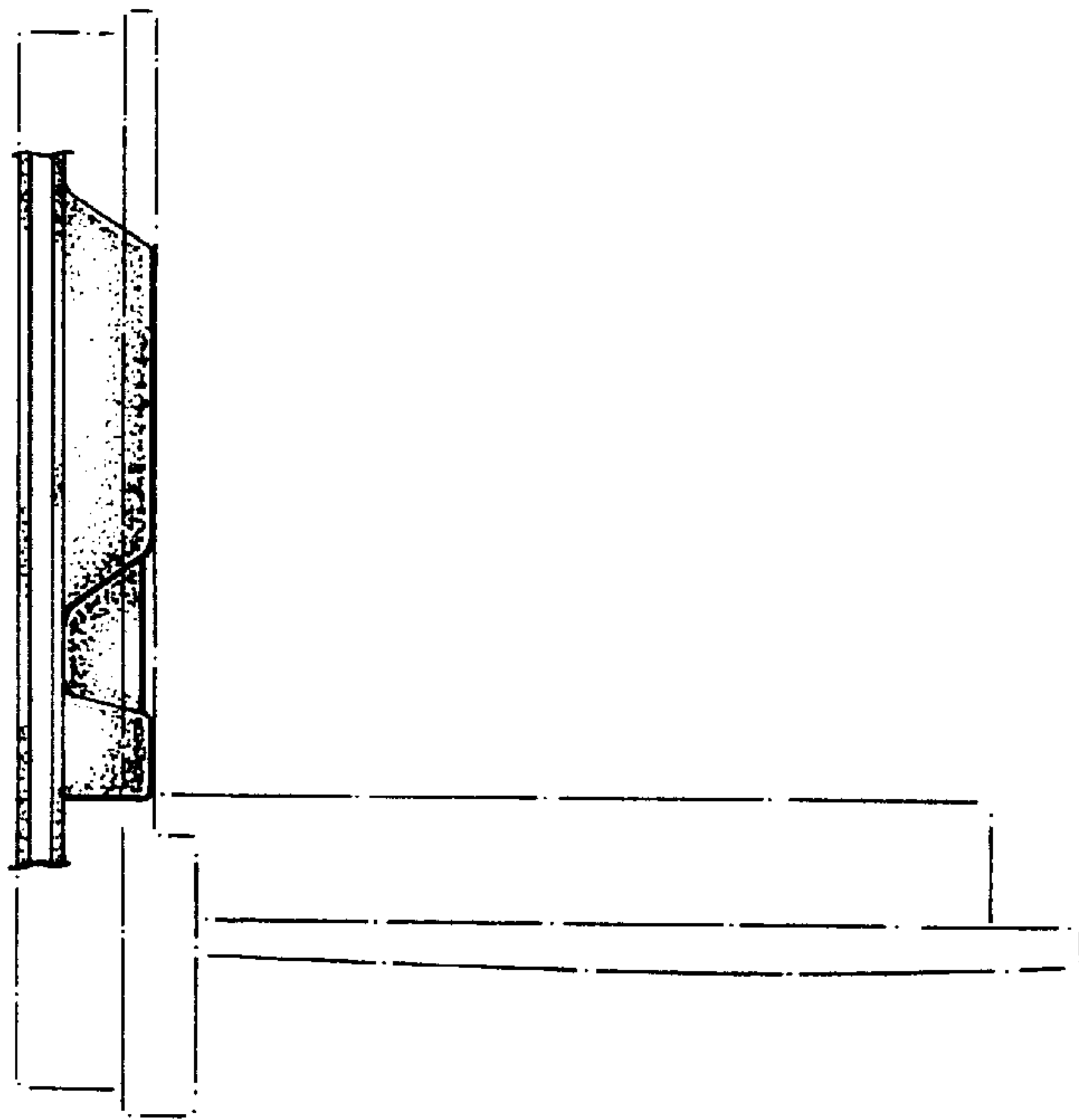


FIG. 3

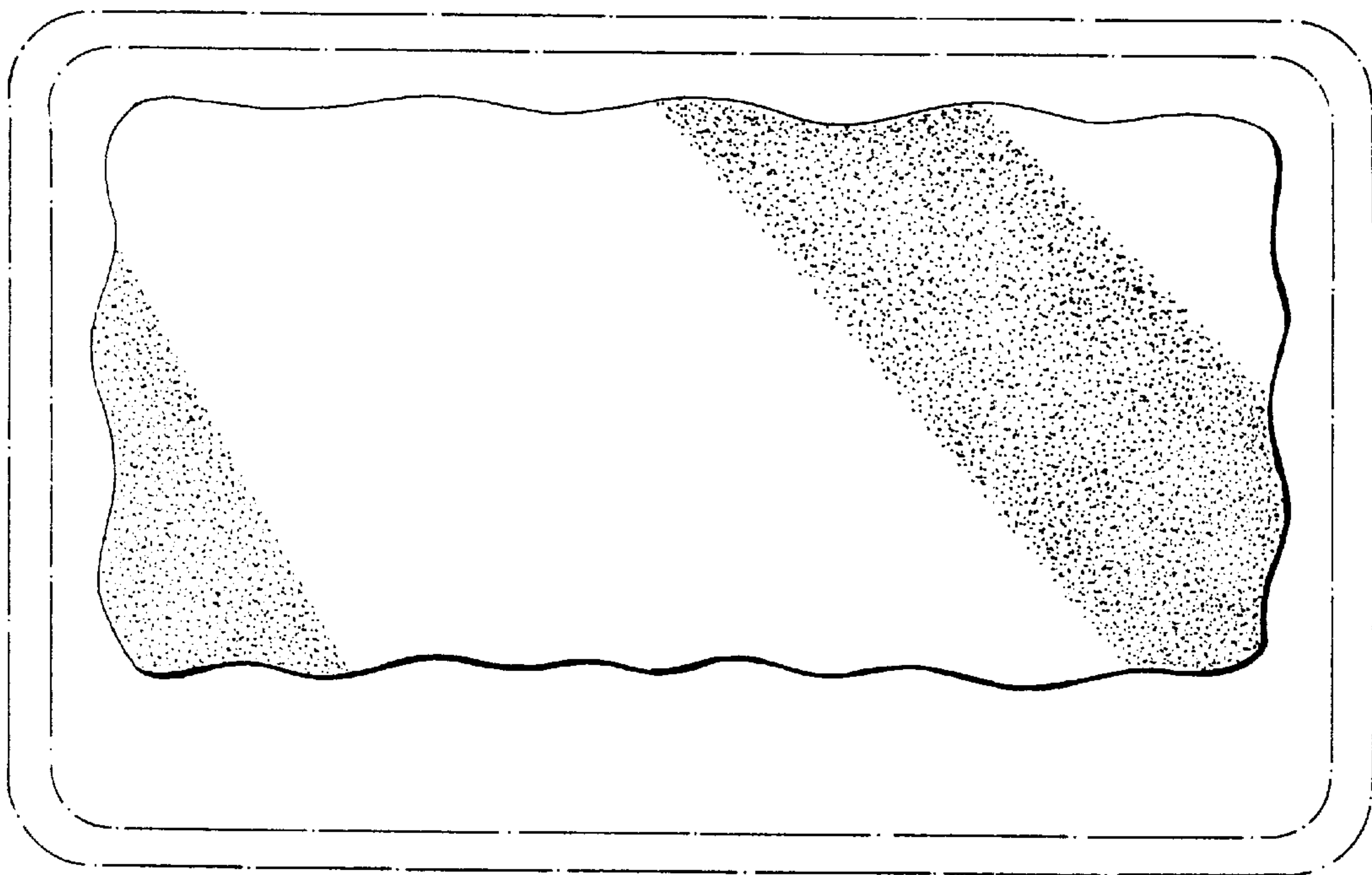


FIG. 4

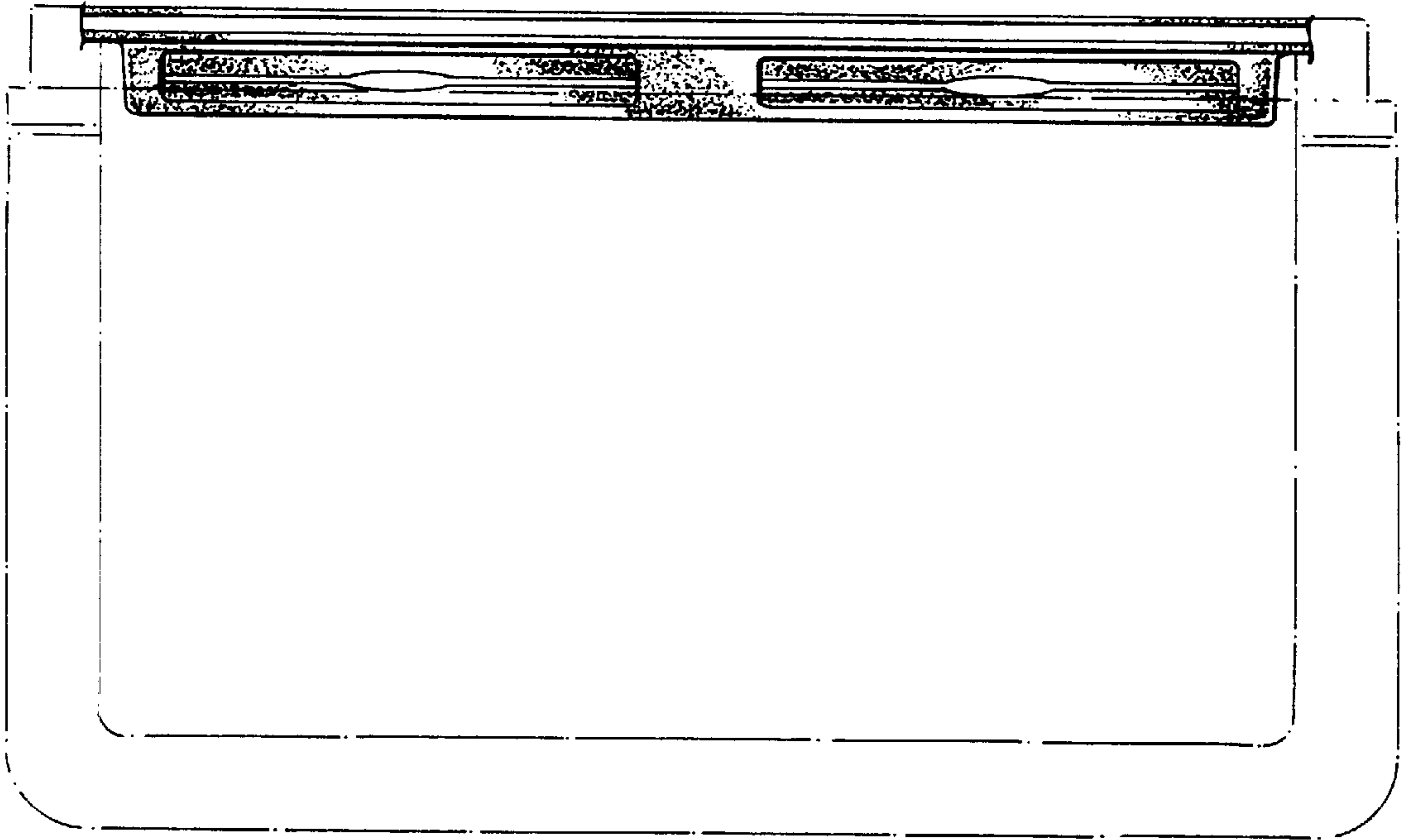


FIG. 5

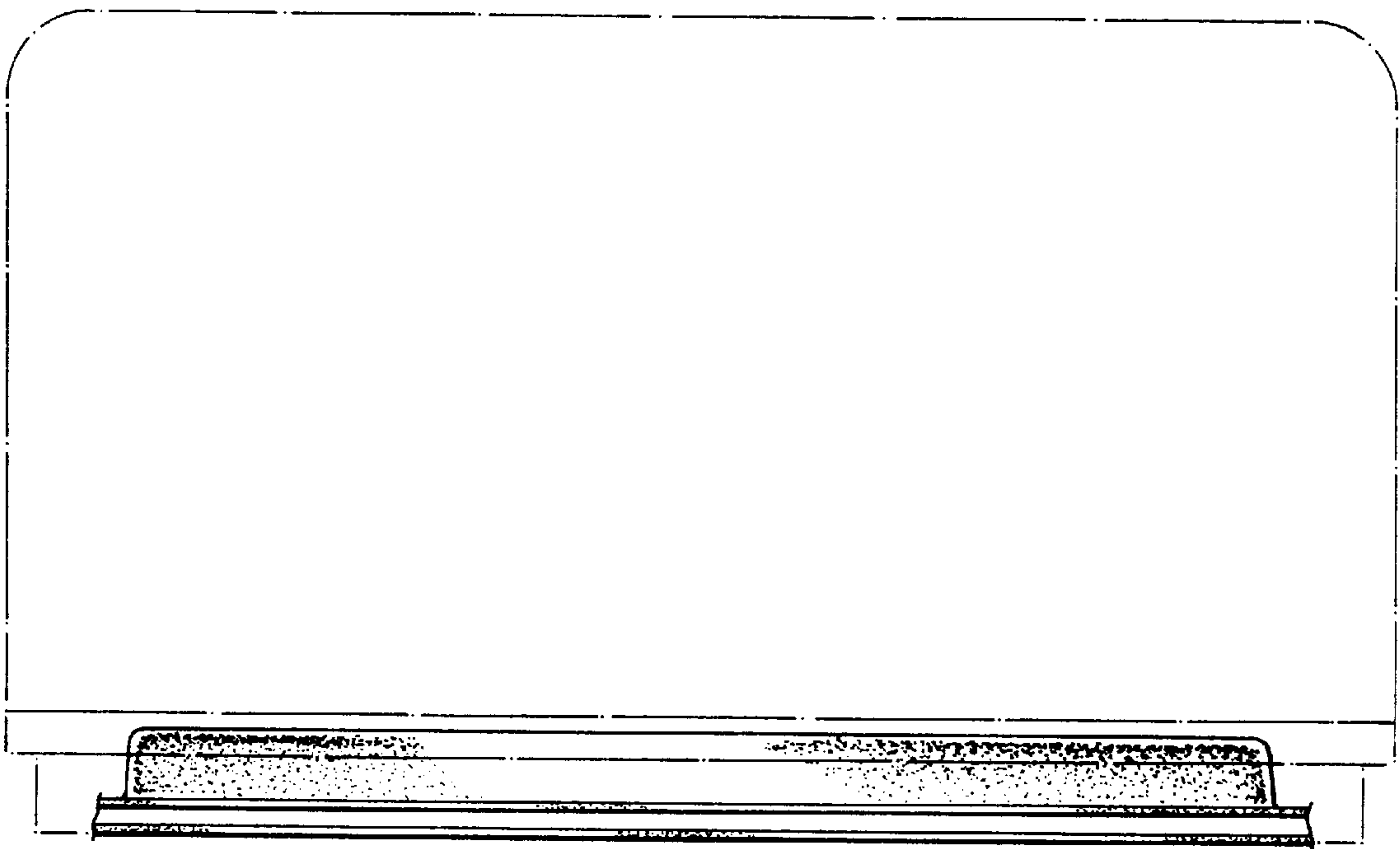


FIG. 6

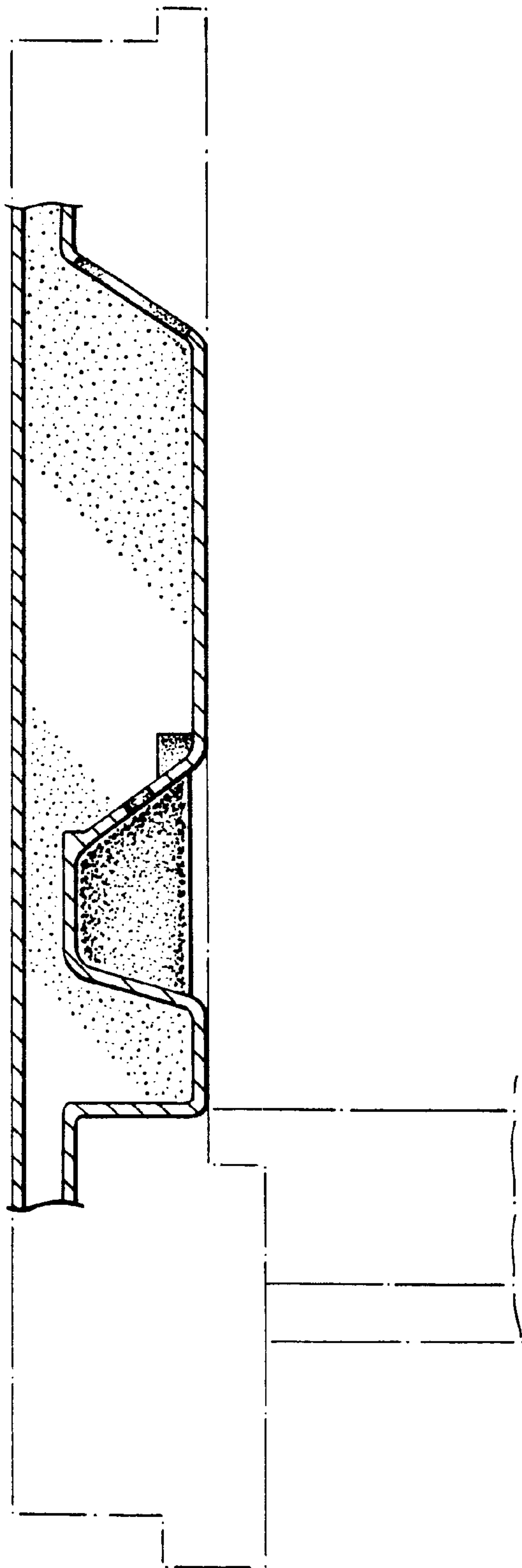


FIG.7