



US00D416150S

# United States Patent [19] Zaidman

[11] **Patent Number: Des. 416,150**

[45] **Date of Patent: \*\* Nov. 9, 1999**

[54] **BEDBOARD**

[75] Inventor: **S. Paul Zaidman**, Winnipeg, Canada

[73] Assignee: **Palliser Furniture Ltd.**, Canada

[\*\*] Term: **14 Years**

[21] Appl. No.: **29/096,387**

[22] Filed: **Nov. 12, 1998**

D. 345,061	3/1994	Tyng .....	D6/393
D. 393,162	4/1998	Bargagli-Stoffi .....	D6/505
2,504,375	4/1950	Barbieri .....	D6/301
2,746,190	5/1956	Schenkman .....	40/745

### FOREIGN PATENT DOCUMENTS

31511 7/1969 Canada .

*Primary Examiner*—Janice E. Seeger  
*Attorney, Agent, or Firm*—Michael Best & Friedrich LLP

### Related U.S. Application Data

[62] Division of application No. 29/075,443, Aug. 20, 1997.

[51] **LOC (6) Cl.** ..... **06-01**

[52] **U.S. Cl.** ..... **D6/505**

[58] **Field of Search** ..... D6/382–384, 389,  
D6/390–395, 505–508; 5/53.1, 279.1, 280,  
281, 2.1

### References Cited

#### U.S. PATENT DOCUMENTS

D. 89,719	4/1933	Rodstein et al. ....	D6/505
D. 103,092	2/1937	Braun .....	D6/505
D. 143,930	1/1946	Barbieri .....	D6/314
D. 259,978	7/1981	Hamilton, Sr. ....	D6/301

### [57] CLAIM

The ornamental design for a bedboard, as shown and described.

### DESCRIPTION

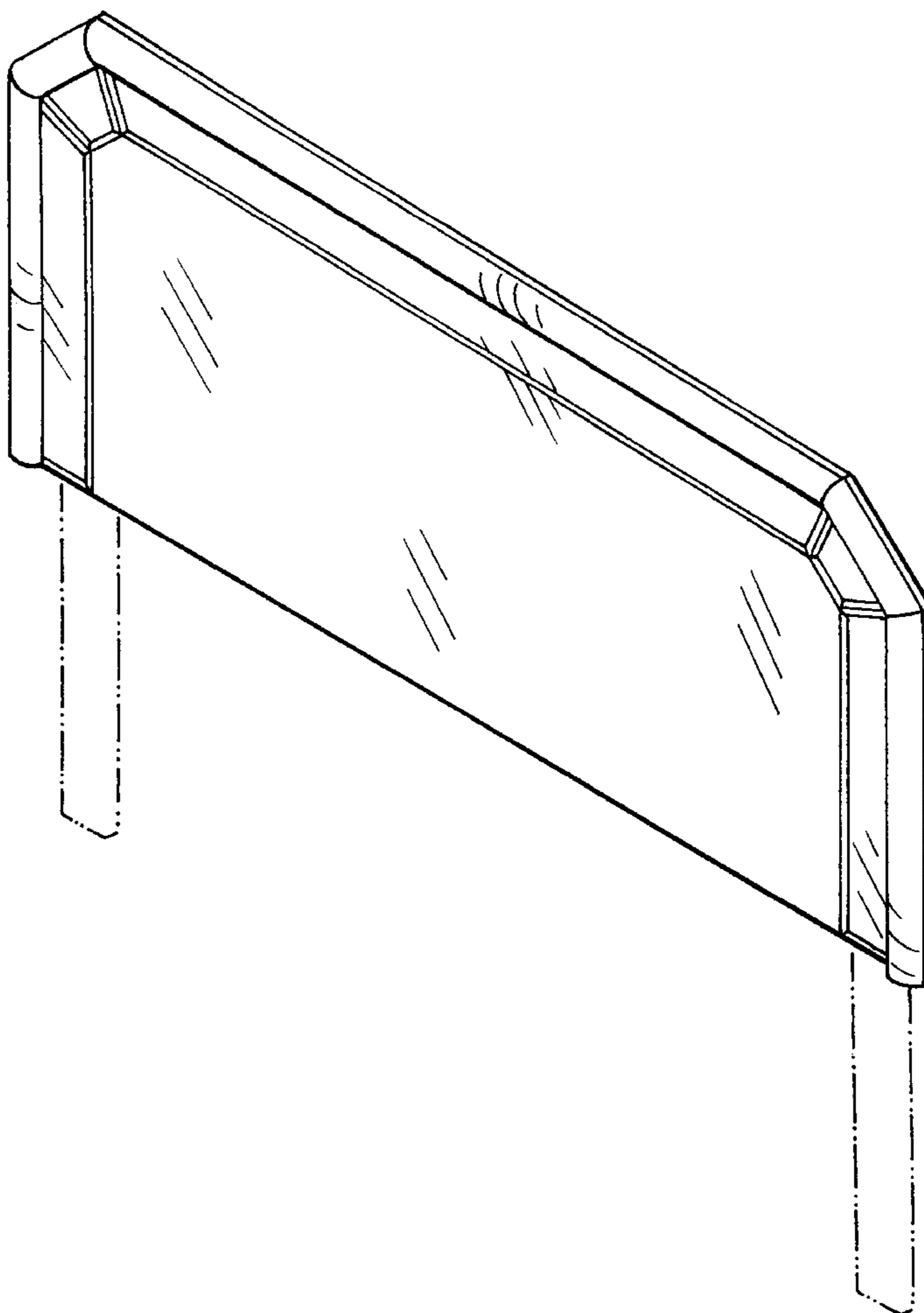
FIG. 1 is a right perspective view of a bedboard showing my new design; the left side perspective being a mirror image thereof, and,

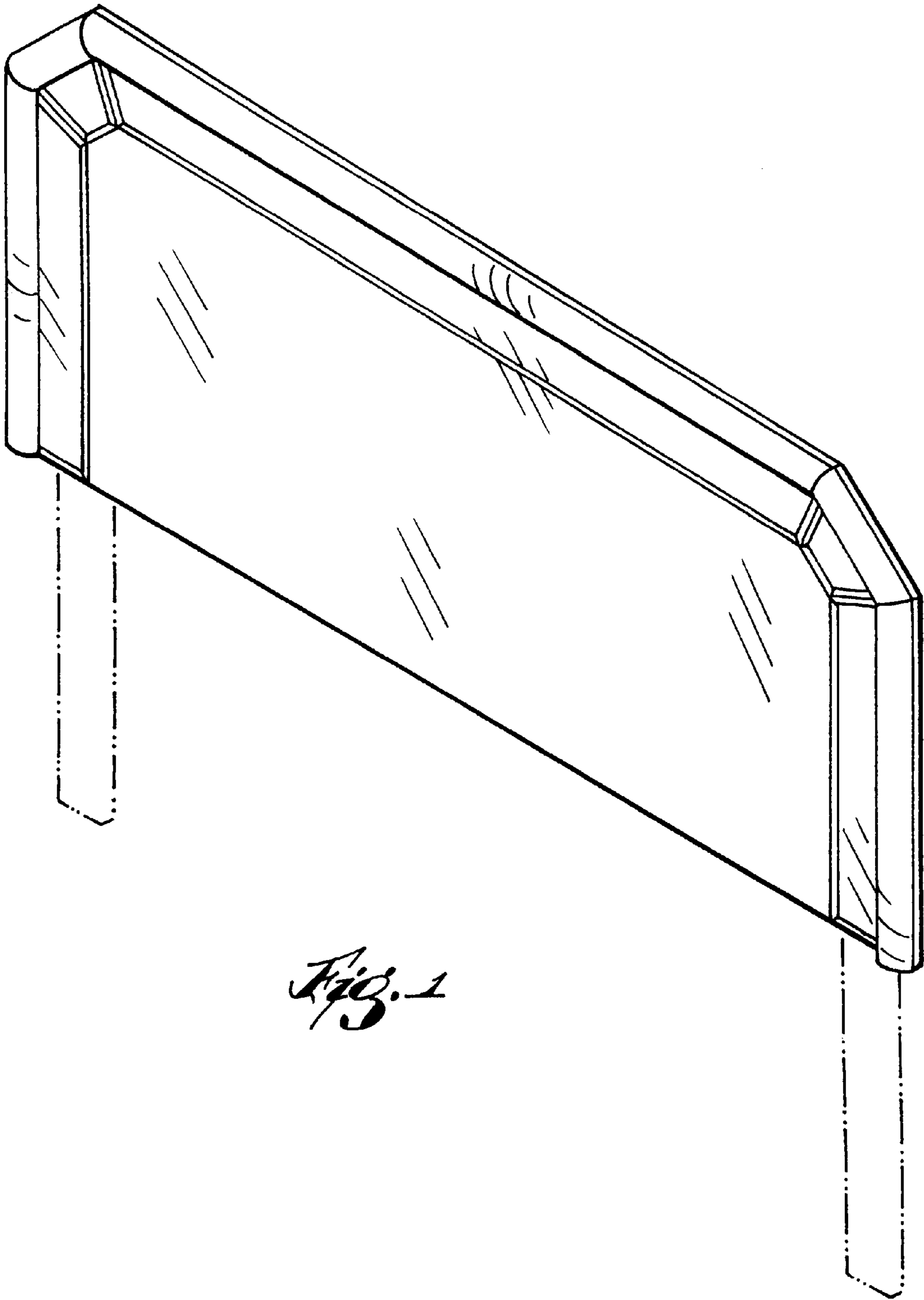
FIG. 2 is a front view of FIG. 1.

The side of the bedboard not shown is a mirror image of that shown in FIG. 1. The bottom and rear of the article form no part of the claimed design.

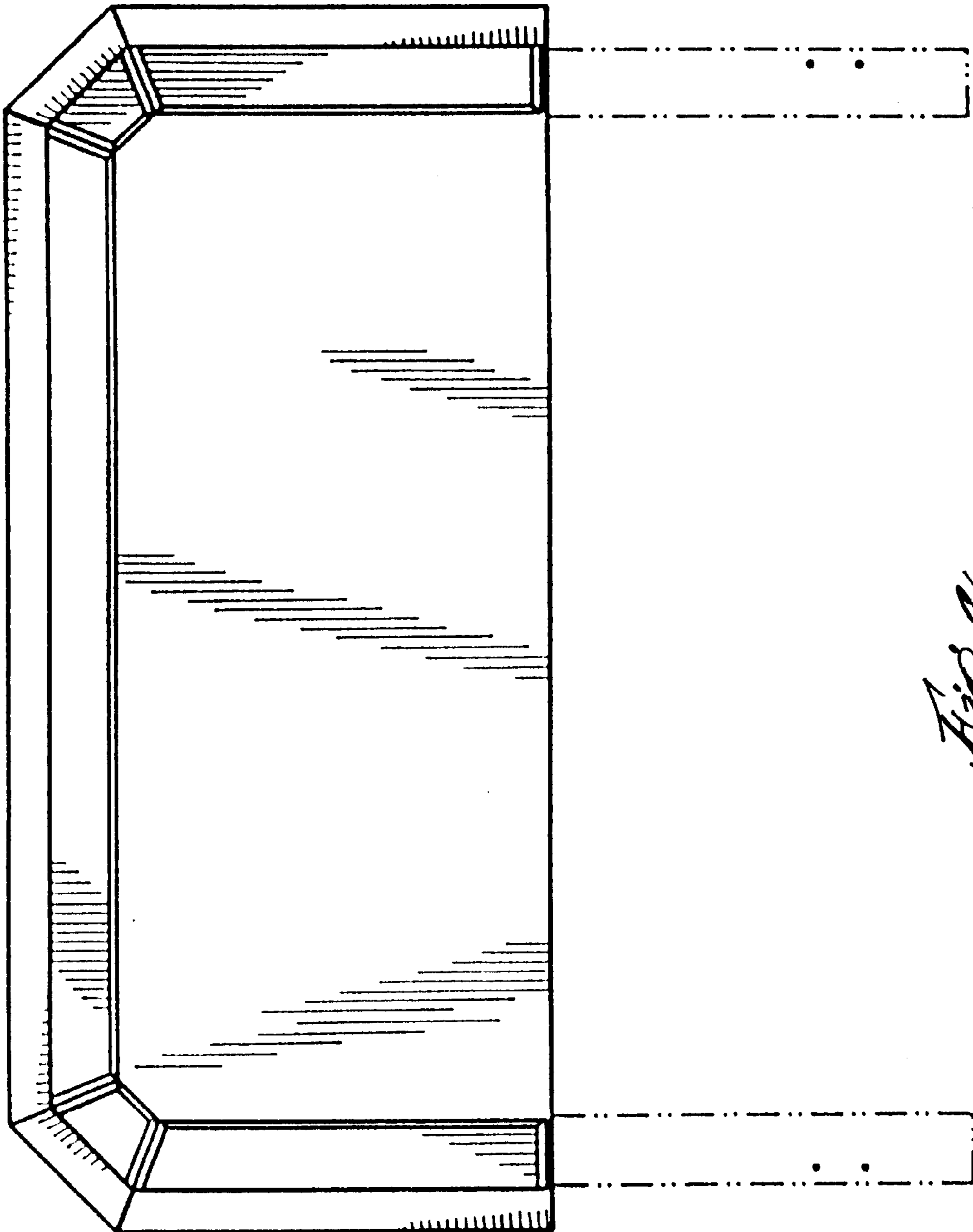
The broken lines are for environmental purposes only and form no part of the claimed design.

**1 Claim, 2 Drawing Sheets**





*Fig. 1*



*Fig. 2*