



US00D416148S

United States Patent [19]

Pagnon et al.

[11] Patent Number: **Des. 416,148**

[45] Date of Patent: **** Nov. 9, 1999**

[54] **TABLE**

[75] Inventors: **Patrick Pagnon; Claude Pelhaitre,**
both of Alforville, France

[73] Assignee: **ROSET S.A.,** France

[**] Term: **14 Years**

[21] Appl. No.: **29/094,657**

[22] Filed: **Oct. 7, 1998**

[51] **LOC (6) Cl.** **06-03**

[52] **U.S. Cl.** **D6/487; D6/429; D6/480**

[58] **Field of Search** D6/480-489, 495-497,
D6/499, 429; 108/153.1, 156, 157.1, 161,
115, 116, 131, 160, 127, 144.11, 145, 146,
147.19; 248/188, 188.1, 188.8

[56] **References Cited**

U.S. PATENT DOCUMENTS

| | | | |
|------------|---------|----------------|---------|
| 200,057 | 2/1878 | Hart | 108/116 |
| D. 233,392 | 10/1974 | Hutchison | D6/420 |
| 986,131 | 3/1911 | Braasch | 108/116 |
| 2,581,023 | 1/1952 | Jerick | 108/145 |
| 4,662,286 | 5/1987 | Barabas et al. | 108/17 |

Primary Examiner—Janice E. Seeger
Attorney, Agent, or Firm—Matthews, Collins, Shepherd & Gould, P.A.

[57] **CLAIM**

The ornamental design for a table, as shown and described.

DESCRIPTION

FIG. 1 is a top perspective view of a first embodiment of a table, showing our new design;
 FIG. 2 is a side elevational view thereof;
 FIG. 3 is a top perspective view thereof, the legs being in a folded position for the table to be used as a coffee table;
 FIG. 4 is a side elevational view thereof;
 FIG. 5 is an end perspective view thereof;
 FIG. 6 is a top perspective view, similar to FIG. 1, showing a second embodiment of our design;
 FIG. 7 is a side elevational view thereof;
 FIG. 8 is an end perspective view thereof;
 FIG. 9 is a top perspective view thereof, the legs being in a folded position for the table to be used as a coffee table; and,
 FIG. 10 is a side elevational view thereof.

The sides and ends of the table not shown, are like the sides and ends shown in FIGS. 2, 4, 5, 7, 8 and 10 respectively.

1 Claim, 10 Drawing Sheets





Figure 1

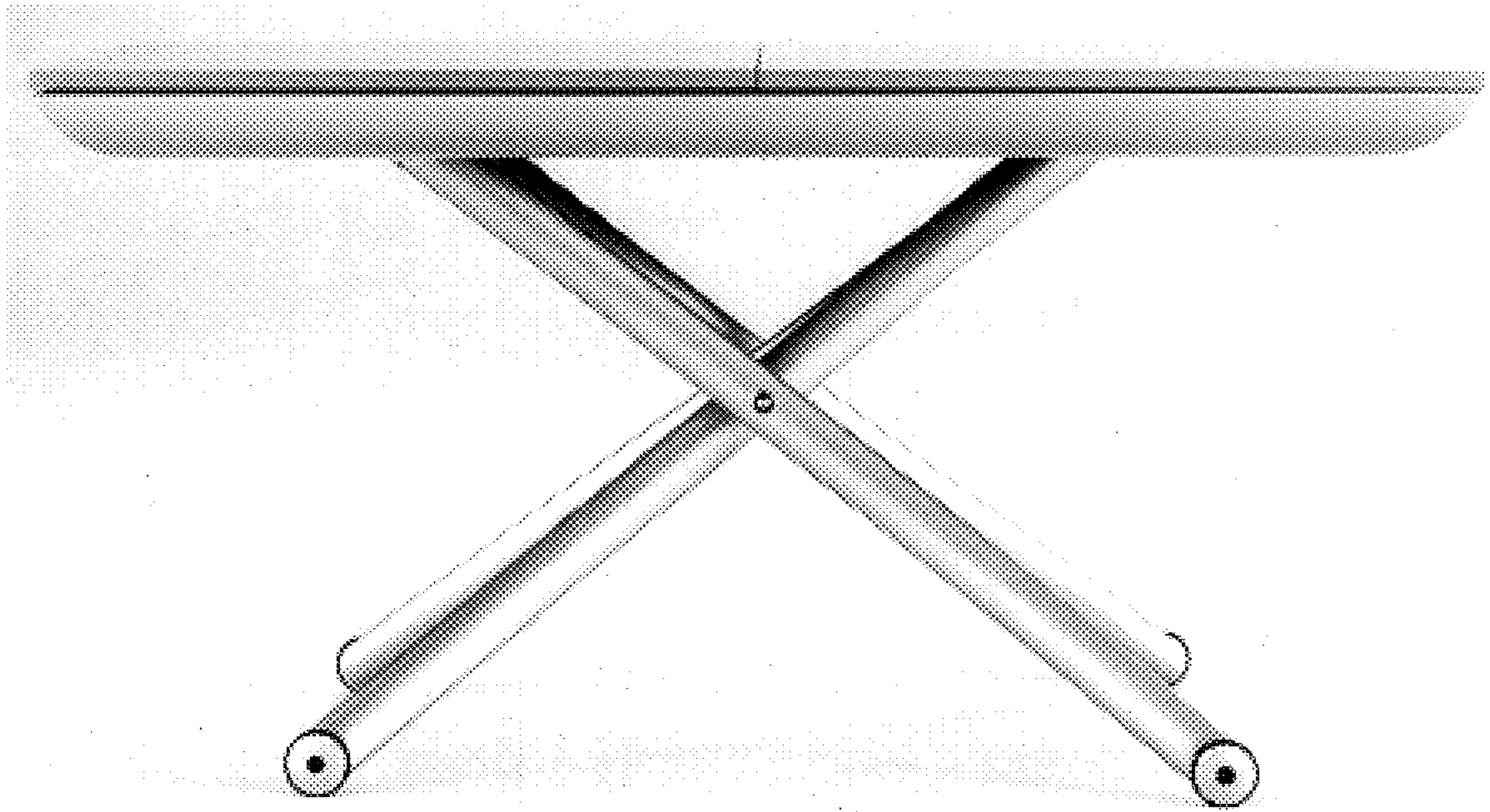


Figure 2

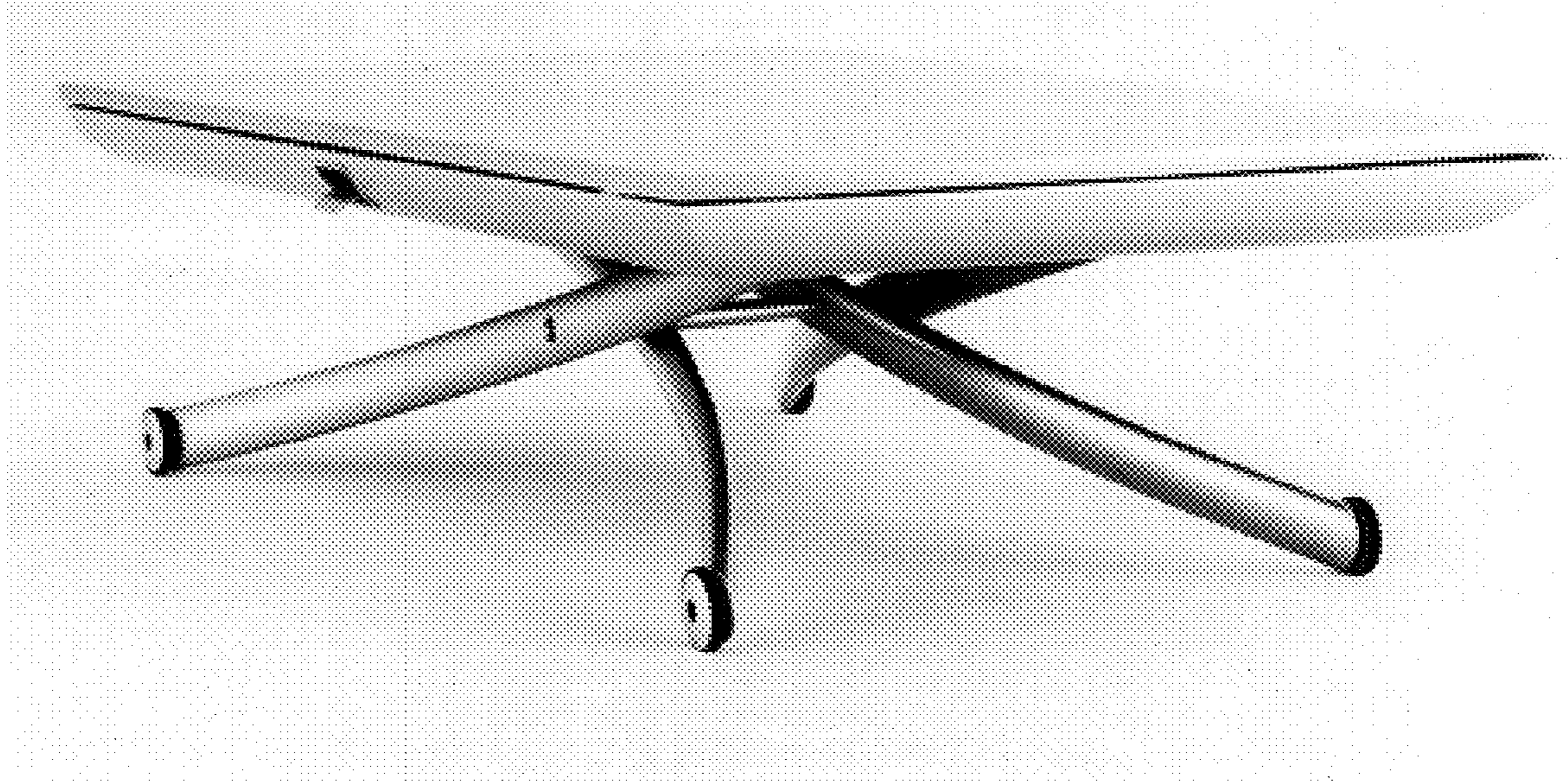


Figure 3

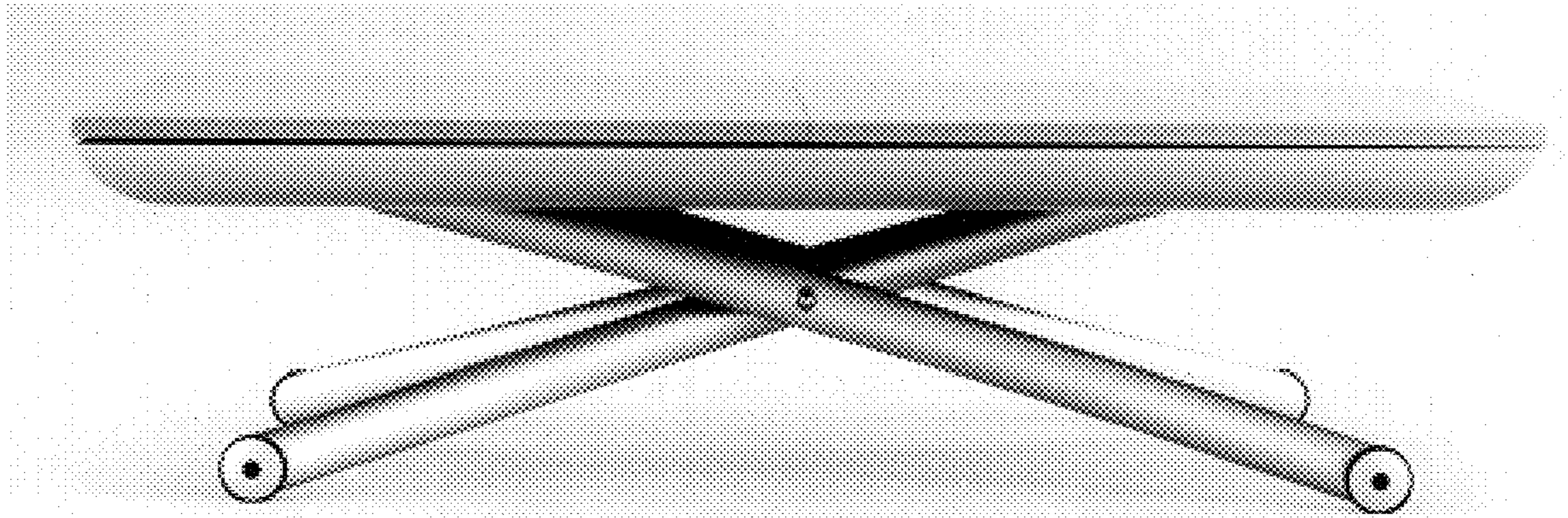


Figure 4

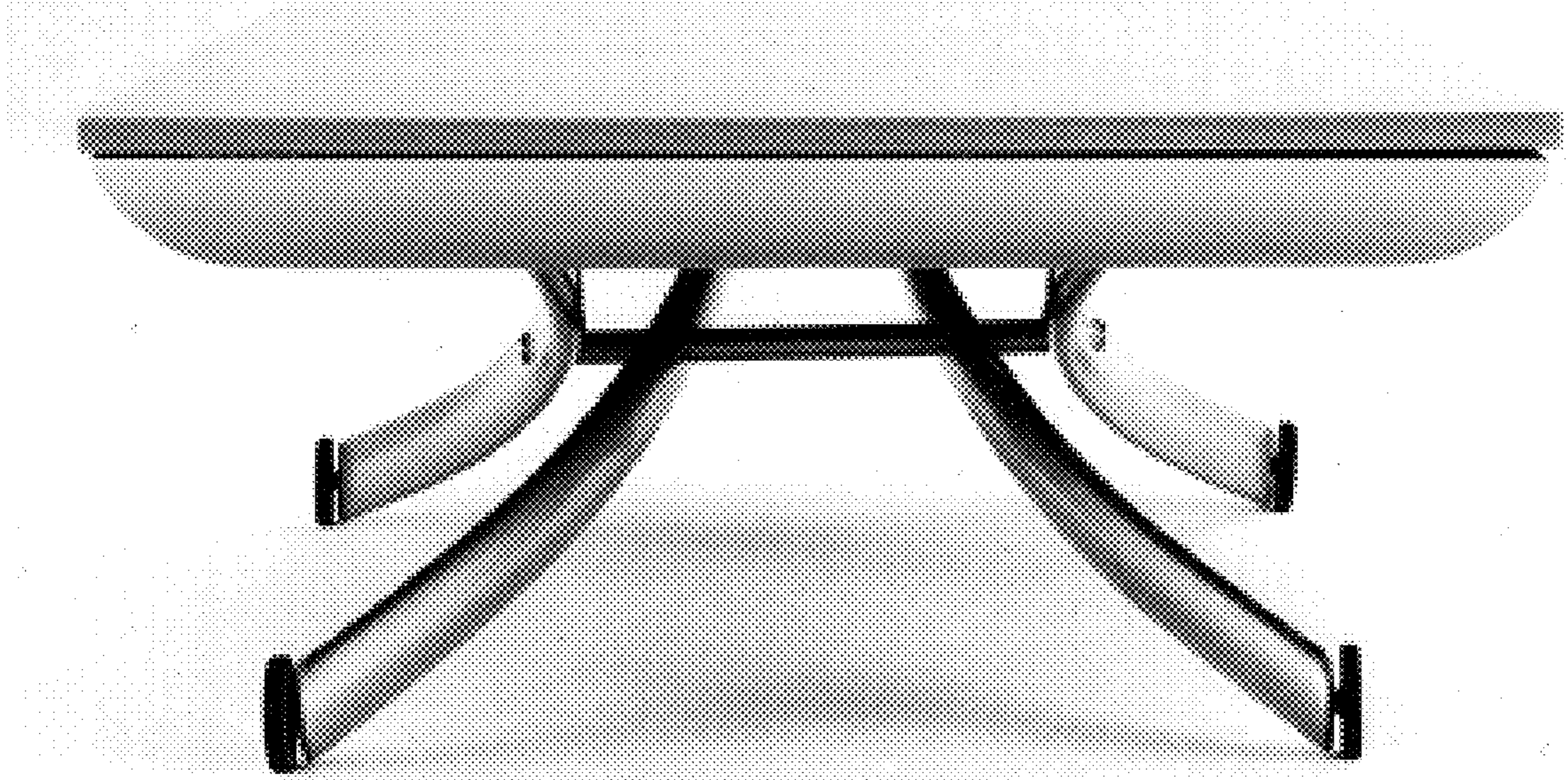


Figure 5



Figure 6

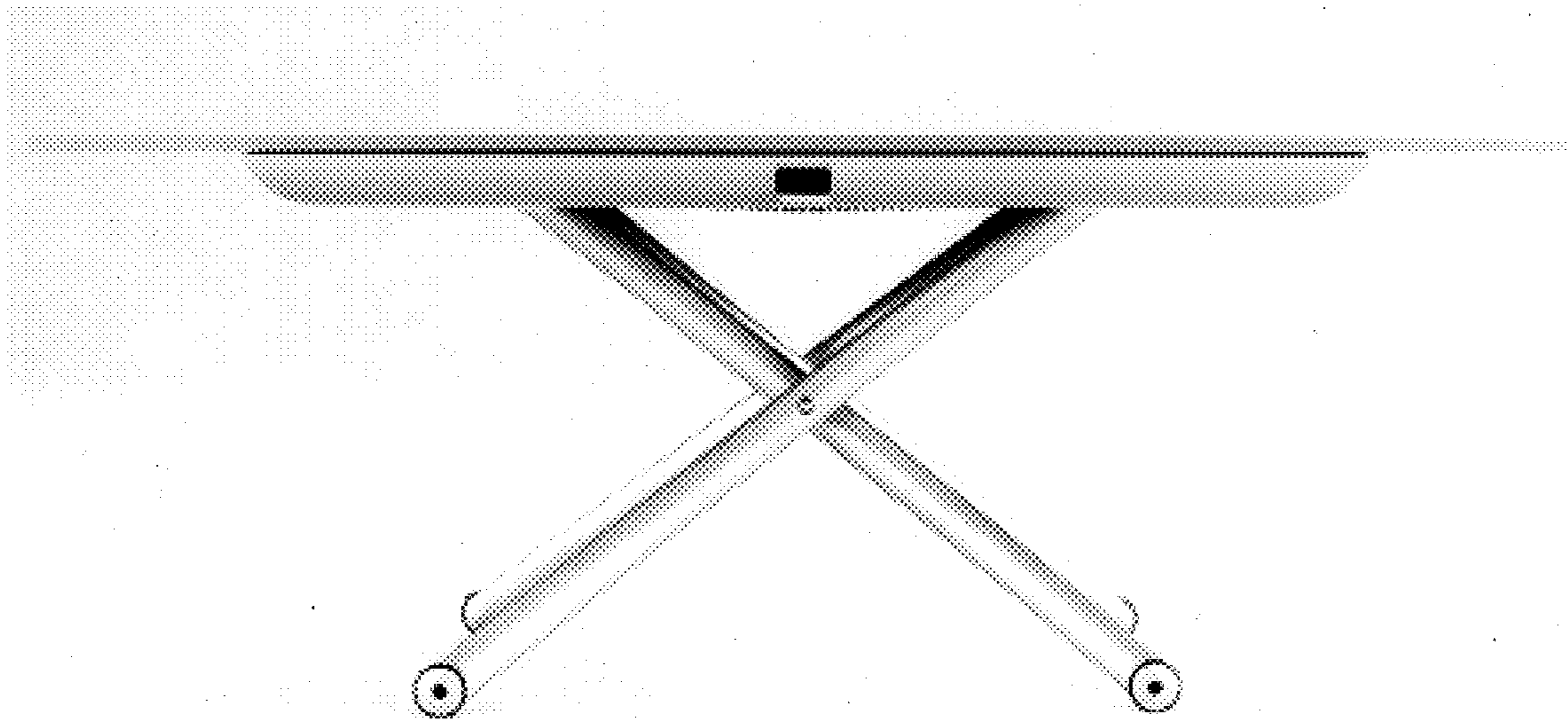


Figure 7



Figure 8

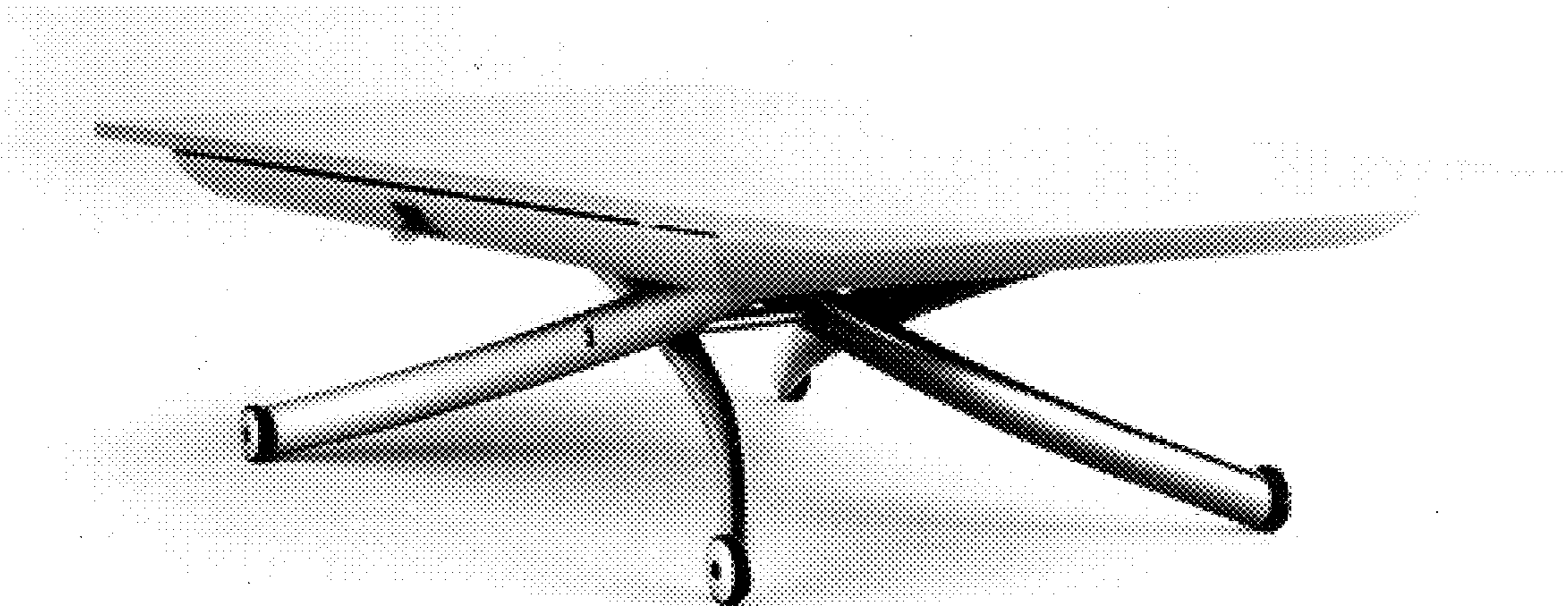


Figure 9

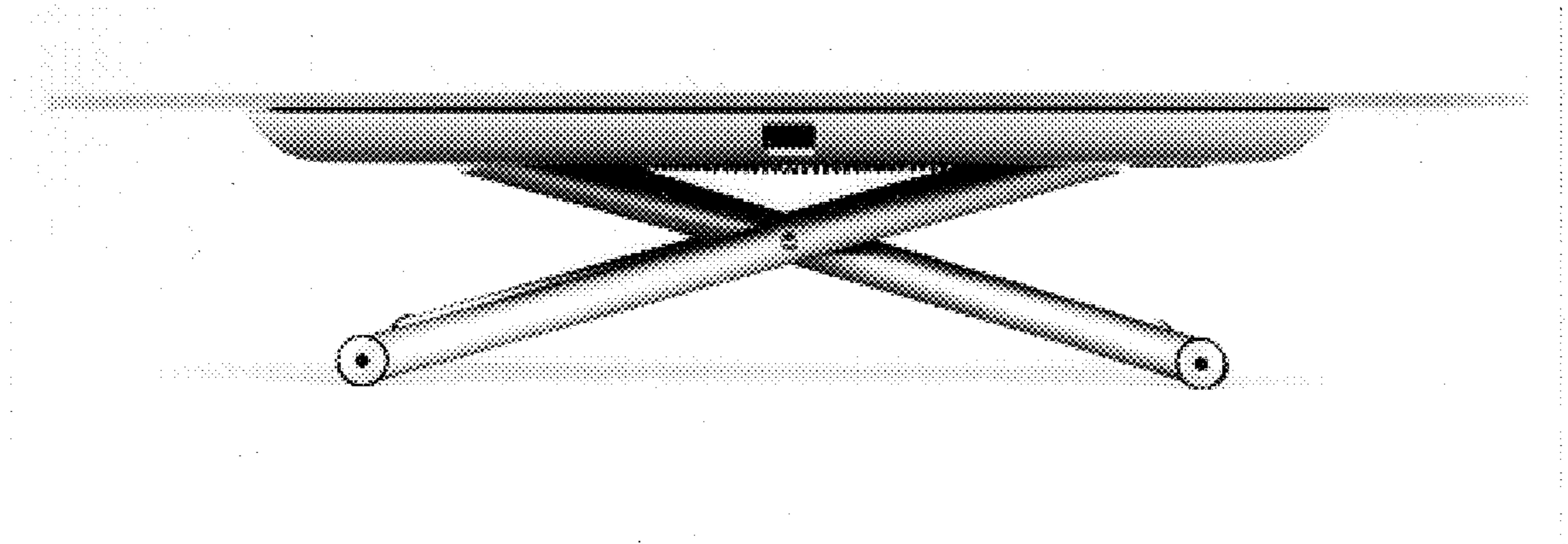


Figure 10