



US00D416146S

United States Patent [19]

Dickinson et al.

[11] Patent Number: **Des. 416,146**

[45] Date of Patent: **** Nov. 9, 1999**

[54] **FREESTANDING SHOE RACK**

[75] Inventors: **Thomas Dickinson; Bradley D. Gale,**
both of St. Louis, Mo.

[73] Assignee: **Contico International, Inc.,** St. Louis,
Mo.

[**] Term: **14 Years**

[21] Appl. No.: **29/069,460**

[22] Filed: **Apr. 2, 1997**

Related U.S. Application Data

[62] Division of application No. 29/051,922, Mar. 19, 1996.

[51] **LOC (6) Cl.** **06-04**

[52] **U.S. Cl.** **D6/463**

[58] **Field of Search** D6/411, 462-468;
D34/21, 17; 220/485, 487, 488, 494, 495;
211/34, 36, 37, 40, 41.4, 41.8, 181.1; 206/503,
504, 513

[56] References Cited

U.S. PATENT DOCUMENTS

- D. 165,942 2/1952 Stein .
- D. 270,118 8/1983 Wood D6/462
- D. 290,562 6/1987 Tocchi D6/462
- D. 303,445 9/1989 Ferguson et al. D6/462 X
- D. 318,196 7/1991 Sheng D6/462
- D. 324,142 2/1992 Cassel D6/462
- 2,695,106 11/1954 Cohen .
- 2,815,862 12/1957 Einhorn .
- 2,836,306 5/1958 Einhorn .
- 2,845,182 7/1958 Atkinson .
- 2,928,549 3/1960 Neuwirth .

- 2,943,741 7/1960 Atkinson D6/317 X
- 2,969,155 1/1961 Atkinson .
- 3,539,052 11/1970 Bellock .
- 3,913,745 10/1975 Weiss .
- 4,915,238 4/1990 Cassel 211/37
- 4,981,221 1/1991 Davis 211/37
- 5,076,442 12/1991 Hakeem .
- 5,103,985 4/1992 Davis .

Primary Examiner—James Gandy
Assistant Examiner—Linda Brooks
Attorney, Agent, or Firm—Howell & Haferkamp, L.C.

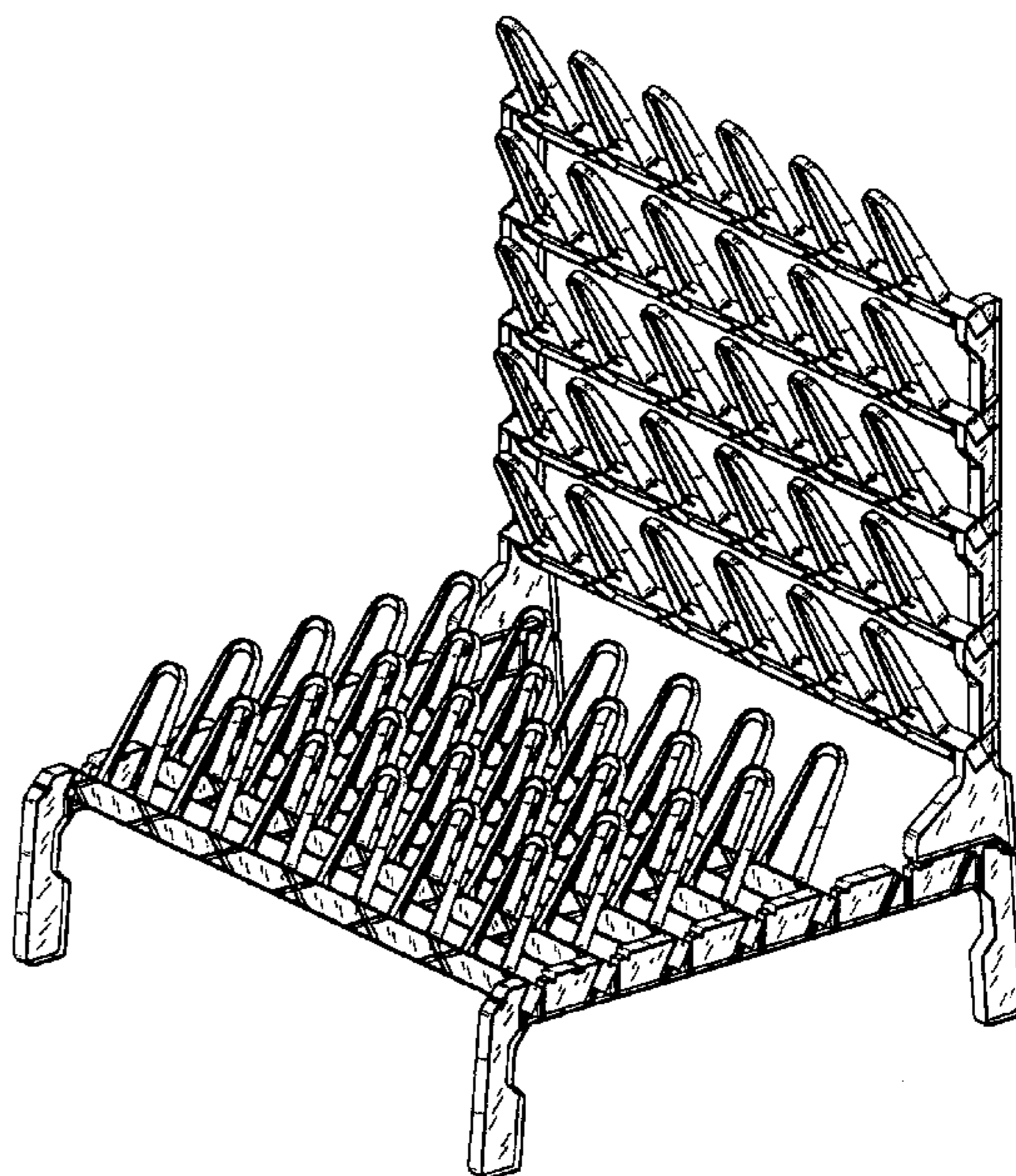
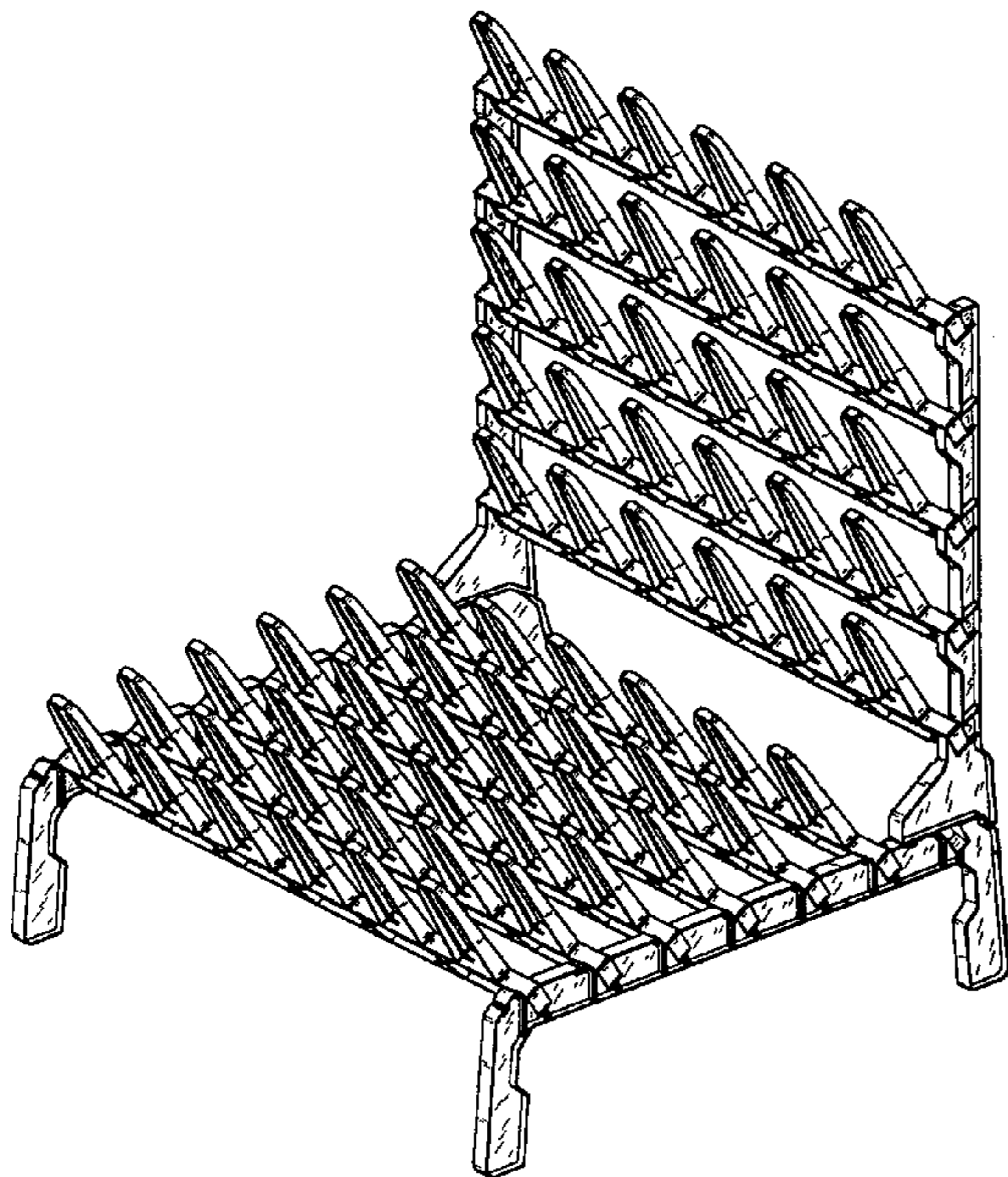
[57] CLAIM

The ornamental design for a freestanding shoe rack, as shown and described.

DESCRIPTION

FIG. 1 is an orthographic projection of the freestanding shoe rack of the present invention;
 FIG. 2 is an enlarged top plan view of the freestanding shoe rack;
 FIG. 3 is a bottom plan view of FIG. 2;
 FIG. 4 is a front elevation view of FIG. 2;
 FIG. 5 is a rear elevation view of FIG. 2;
 FIG. 6 is a right side elevation view of FIG. 2, the left side elevation view being a mirror image of the right side elevation view;
 FIG. 7 is an orthographic projection of the freestanding shoe rack in alternate assembly, the sole difference being the rearwardly slanted placement of the shoe holding elements of the bottom rack; and,
 FIG. 8 is an orthographic projection of the freestanding shoe rack in alternate assembly, the sole difference being the vertical placement of the shoe holding elements of the bottom rack.

1 Claim, 8 Drawing Sheets



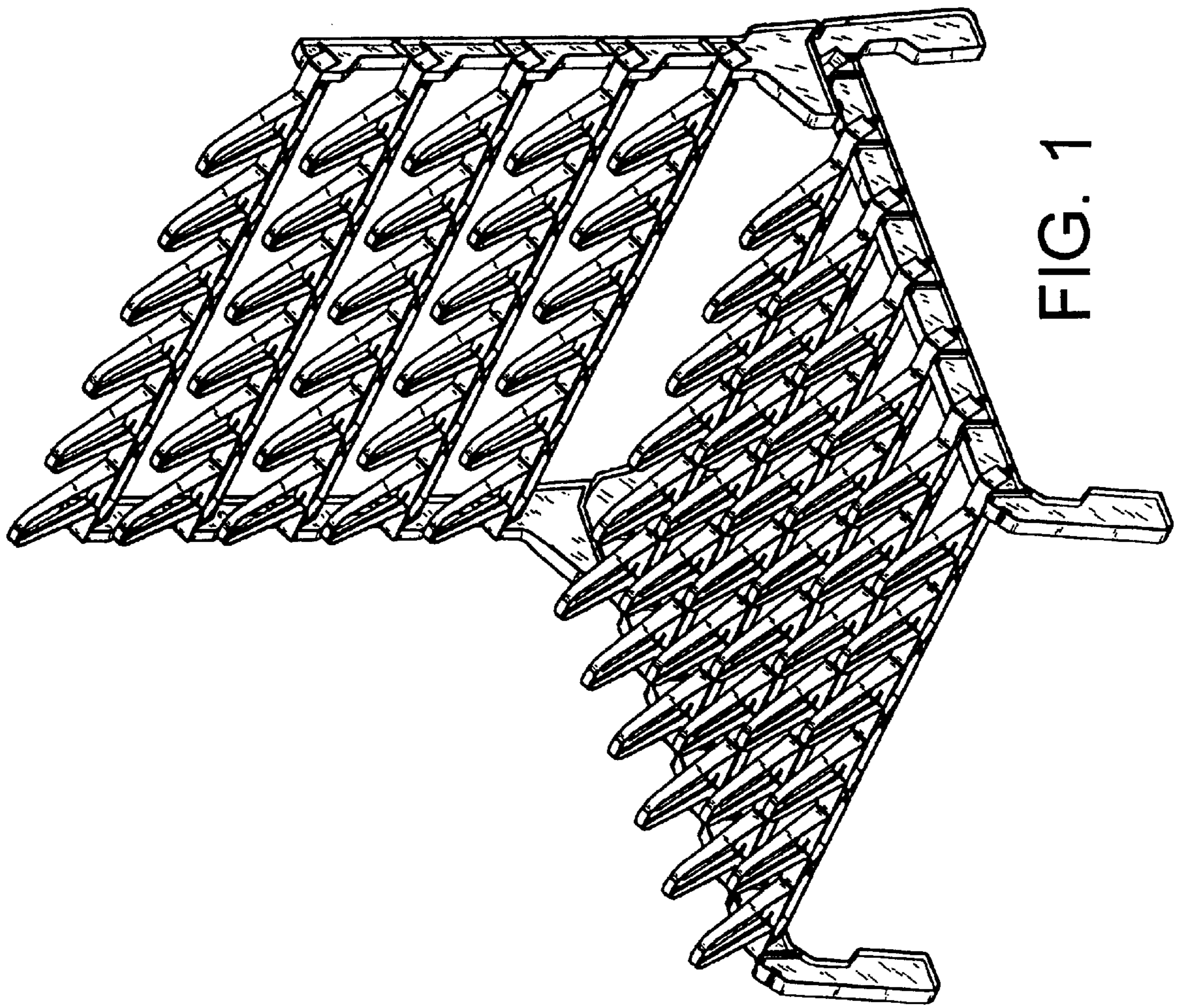


FIG. 1

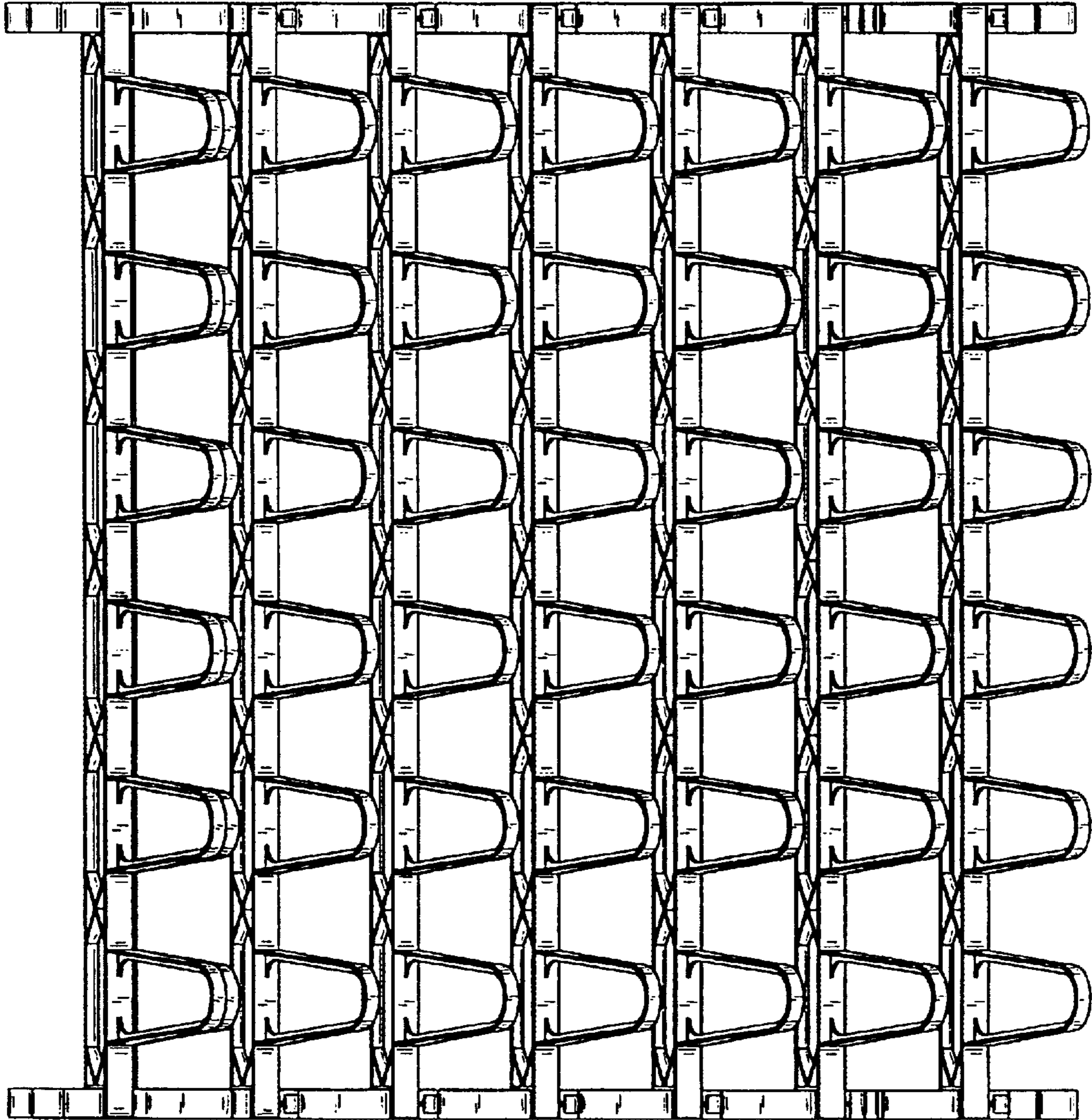


FIG. 2

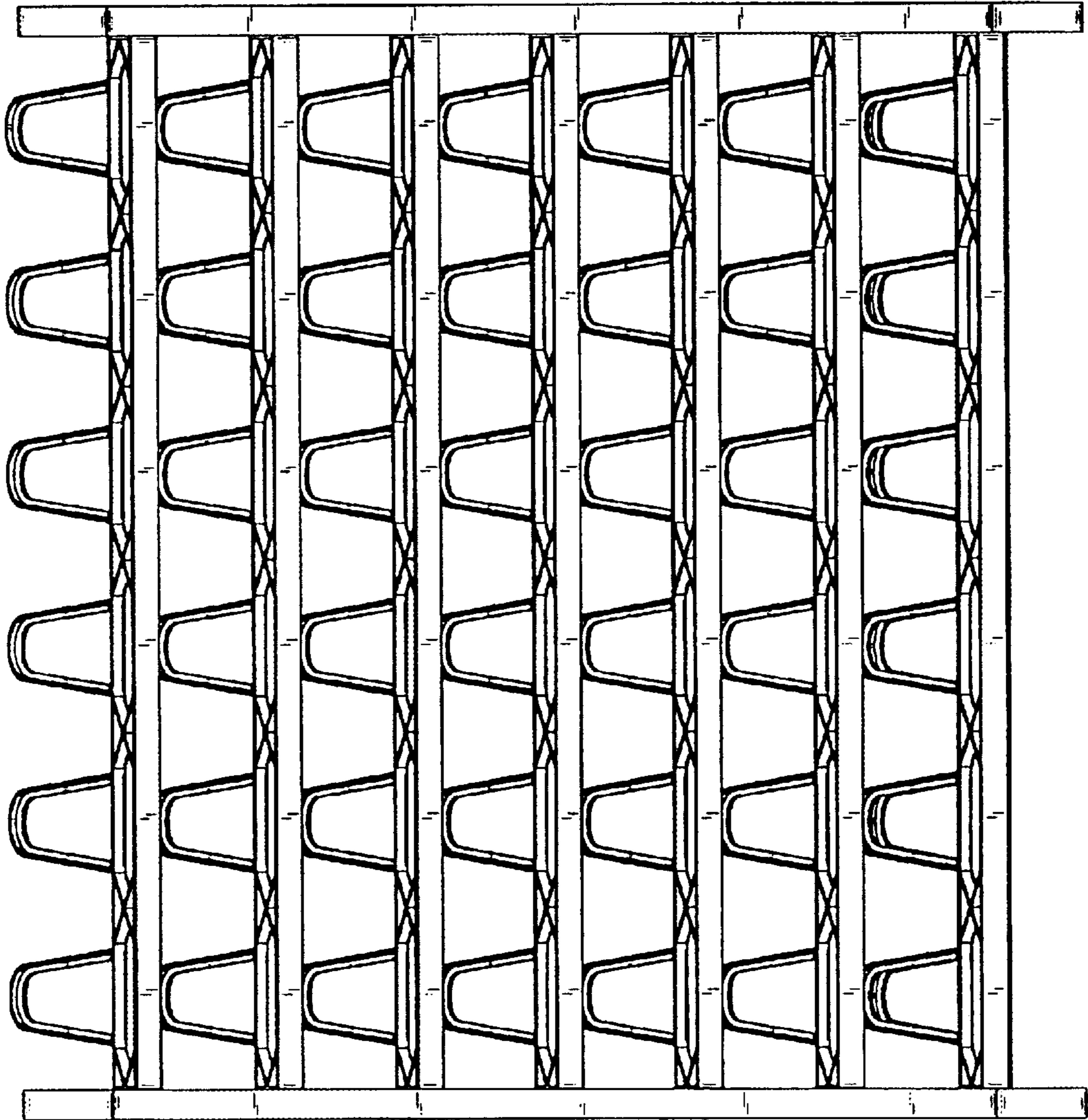


FIG. 3

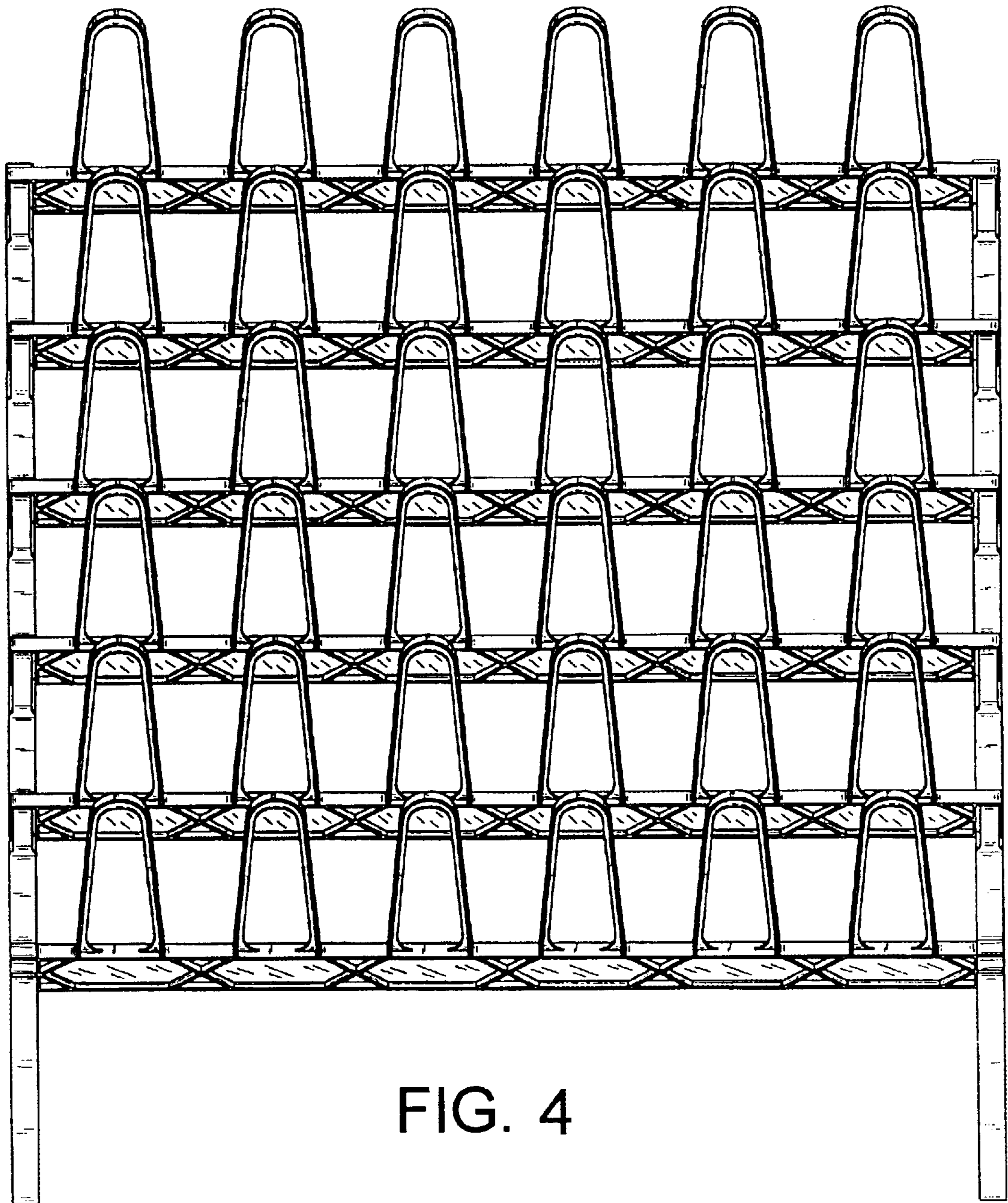


FIG. 4

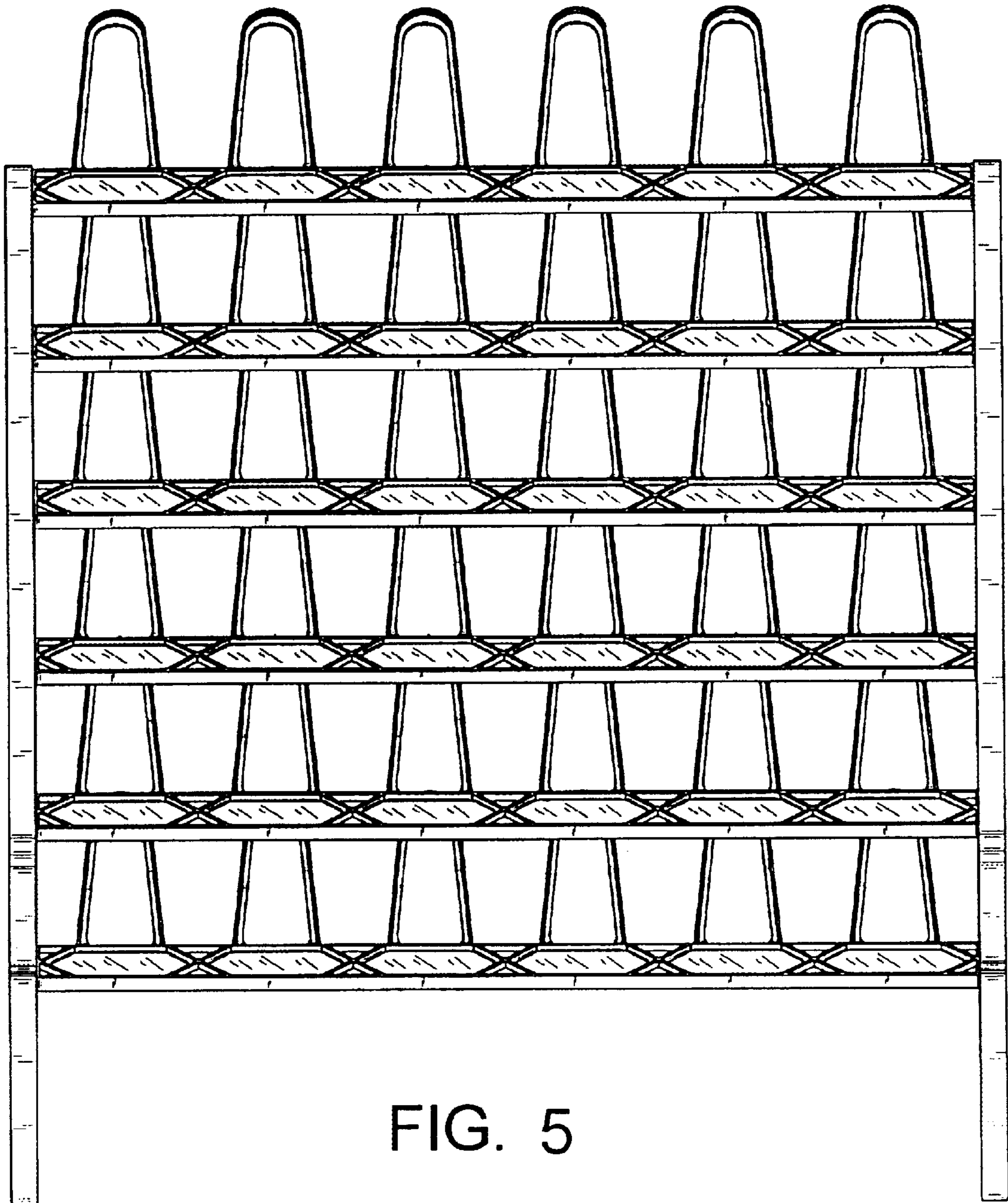


FIG. 5

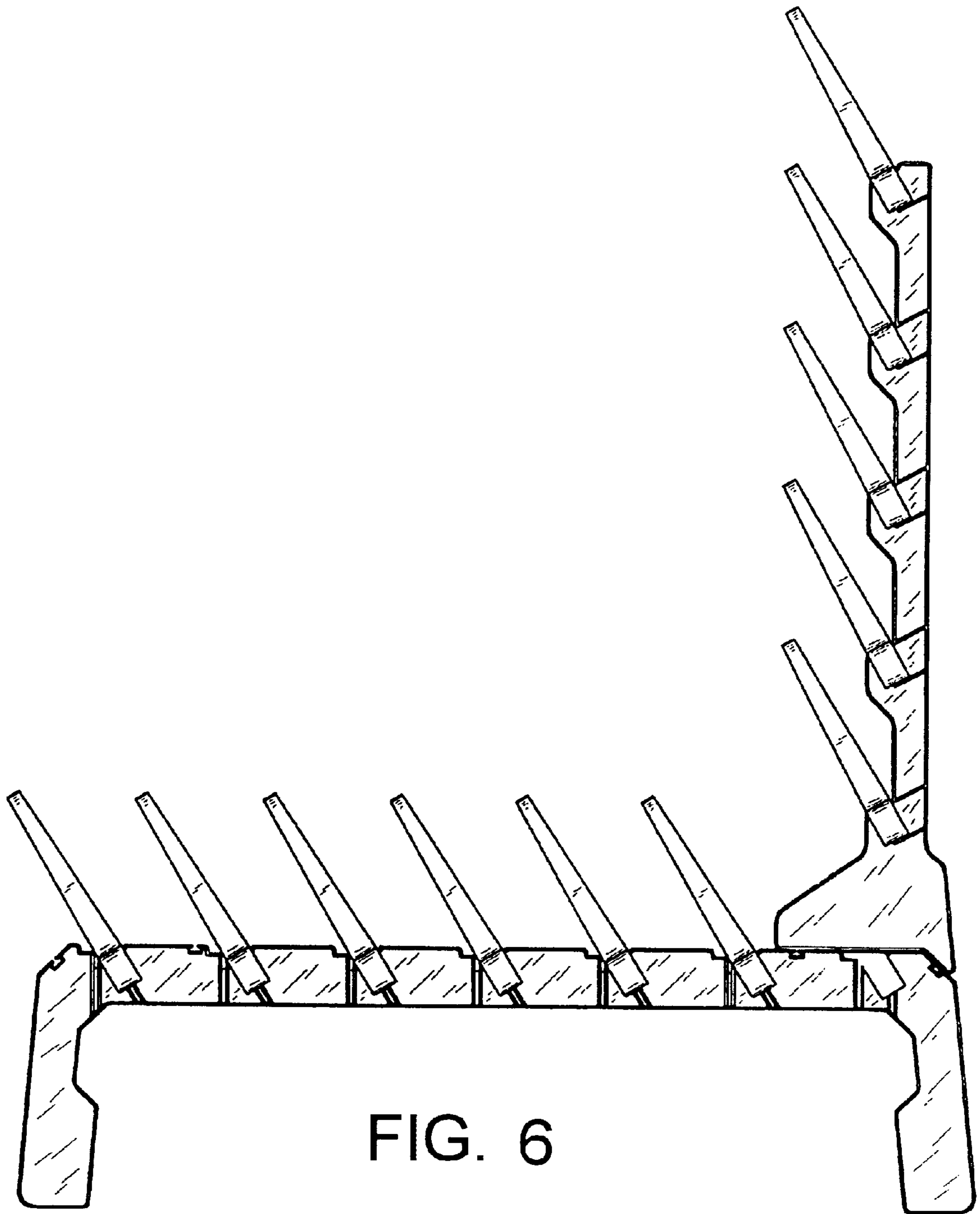
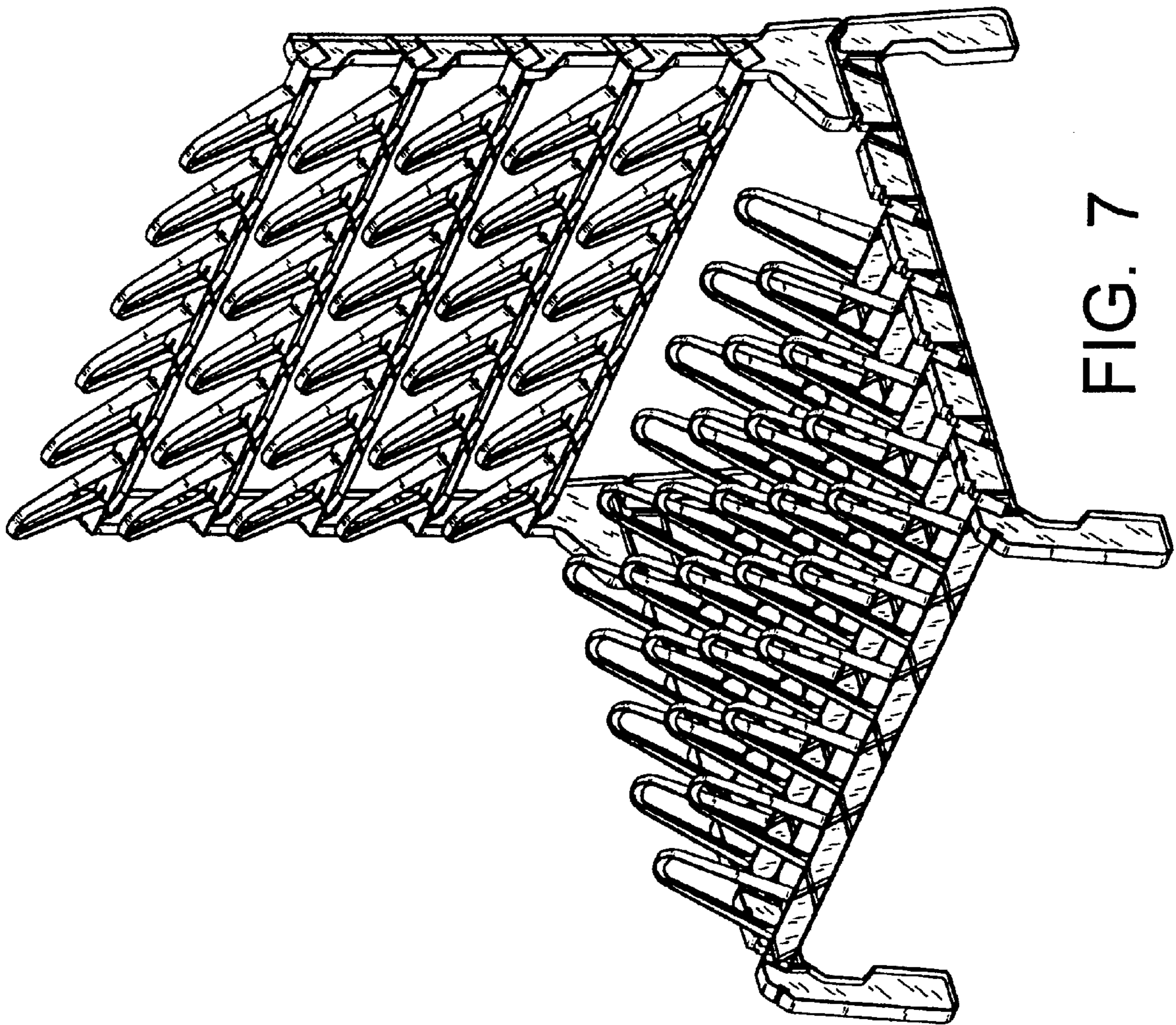


FIG. 6



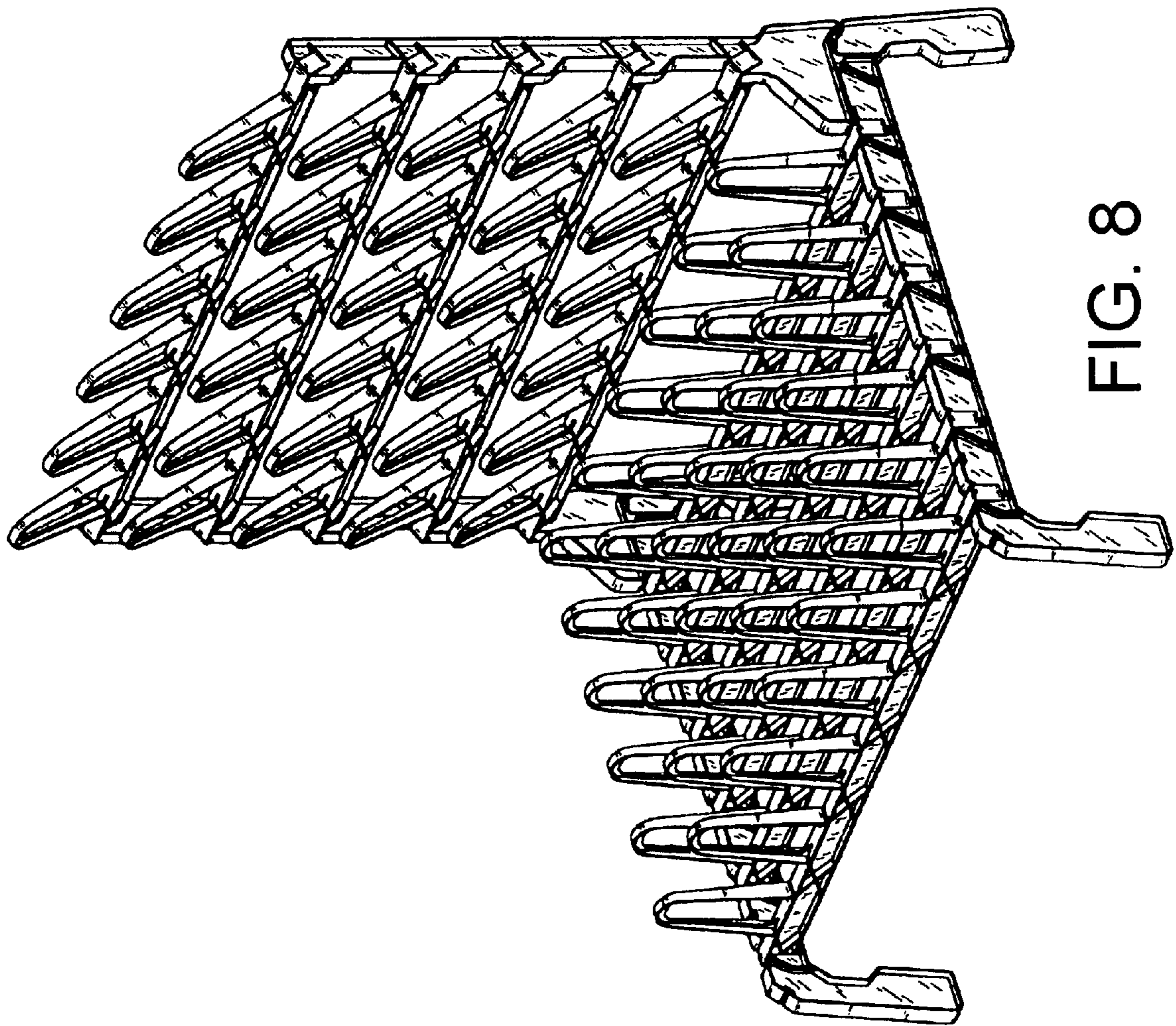


FIG. 8