



US00D416139S

United States Patent [19]

Roth et al.

[11] Patent Number: **Des. 416,139**

[45] Date of Patent: **** Nov. 9, 1999**

[54] **ROBE HOOK**

[75] Inventors: **James Edward Roth**, Los Angeles;
Melinda Jane Shafran, Reseda, both of Calif.

[73] Assignee: **Creative Specialties, Inc.**, Sylmar, Calif.

[**] Term: **14 Years**

[21] Appl. No.: **29/098,658**

[22] Filed: **Jan. 4, 1999**

[51] **LOC (6) Cl.** **06-08**

[52] **U.S. Cl.** **D6/323; D8/372**

[58] **Field of Search** **D6/323, 550; D8/352, D8/367, 372; 16/402; 248/303, 304**

[56] **References Cited**

U.S. PATENT DOCUMENTS

- D. 305,863 2/1990 Gresens et al. D8/352
- D. 353,492 12/1994 Goodman et al. D6/323

- D. 361,671 8/1995 Sharpe D6/323
- D. 389,326 1/1998 Moore D6/323
- D. 390,709 2/1998 Moore D6/323
- 928,717 7/1909 Vance .
- 2,679,998 6/1954 Keller .
- 5,026,012 6/1991 Wang .

Primary Examiner—B. J. Bullock
Attorney, Agent, or Firm—Dorn, McEachran, Jambor & Keating

[57] **CLAIM**

The ornamental design for a robe hook, as shown and described.

DESCRIPTION

FIG. 1 is a front view of a robe hook showing our new design;
FIG. 2 is a right side view thereof, the left side being a mirror image of the right side;
FIG. 3 is a top view thereof; and,
FIG. 4 is a bottom view thereof.

1 Claim, 1 Drawing Sheet

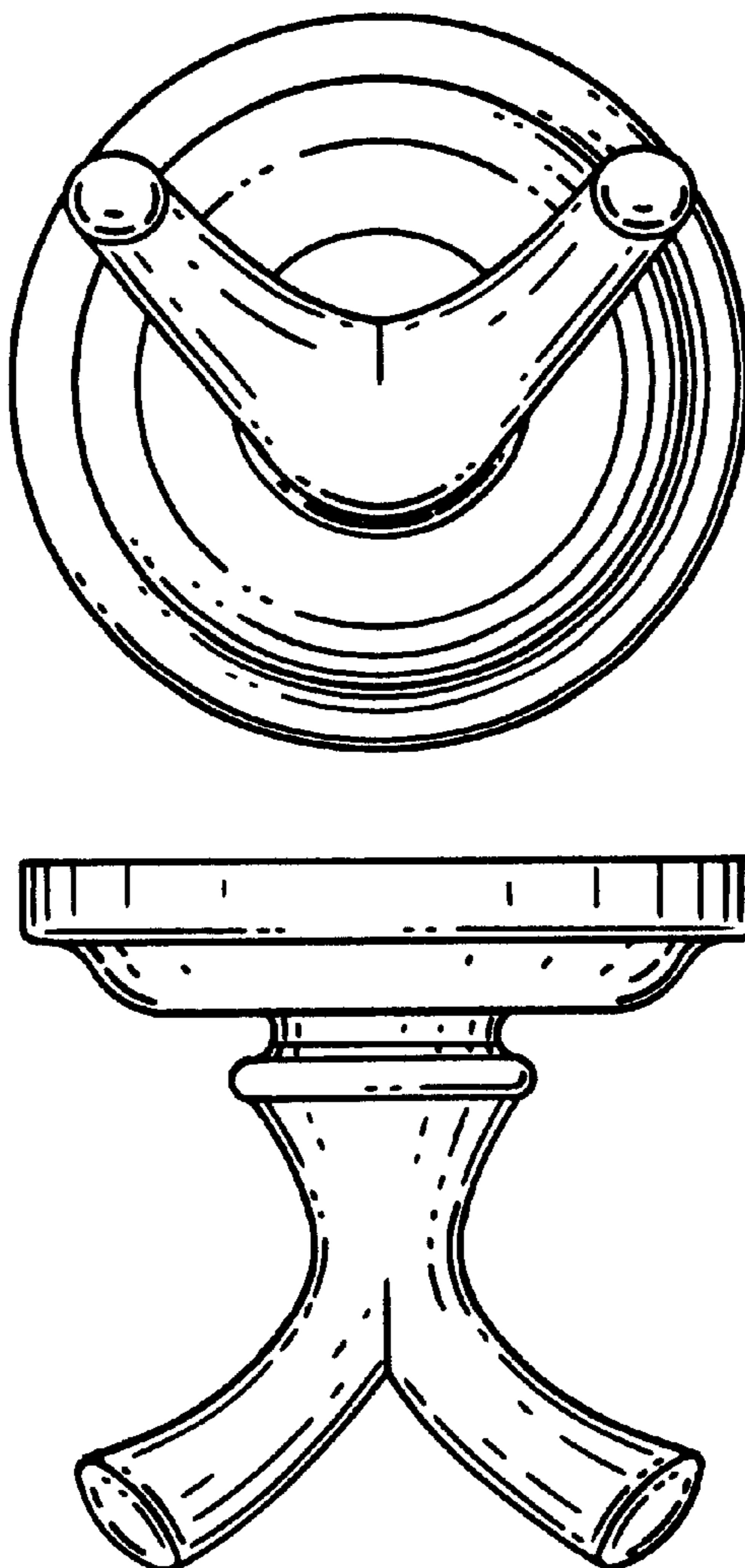


Fig. 1.

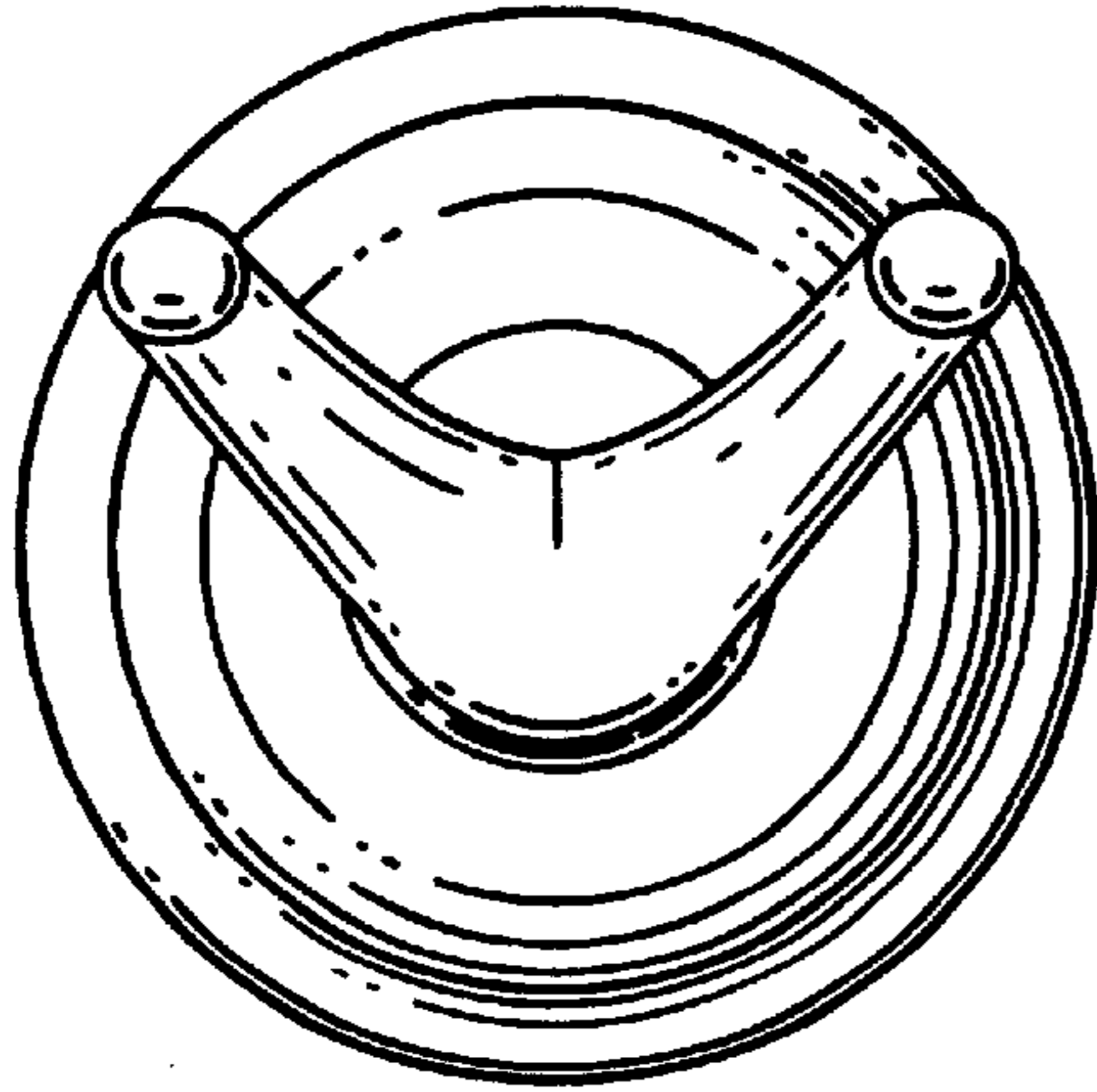


Fig. 2.

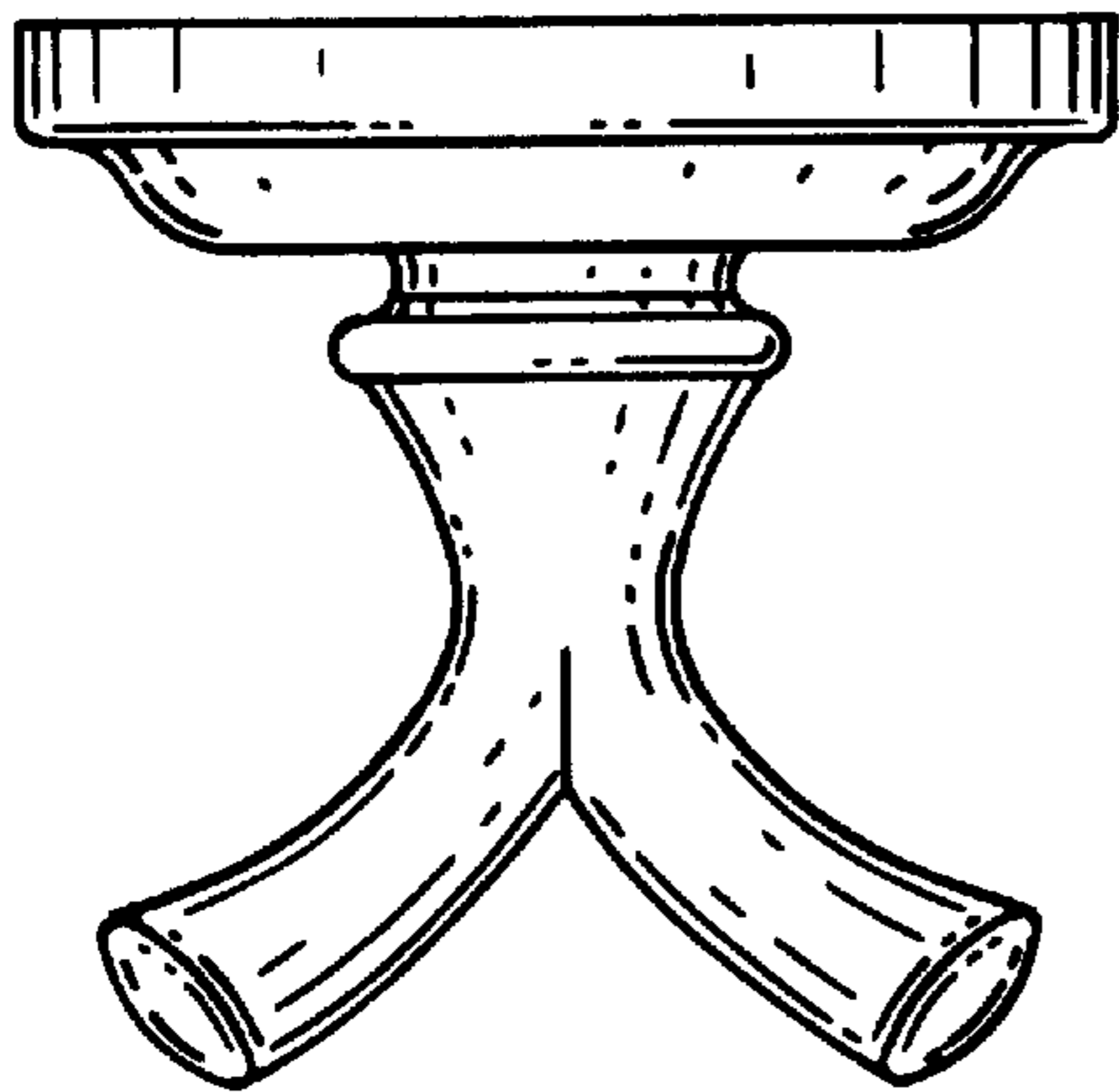
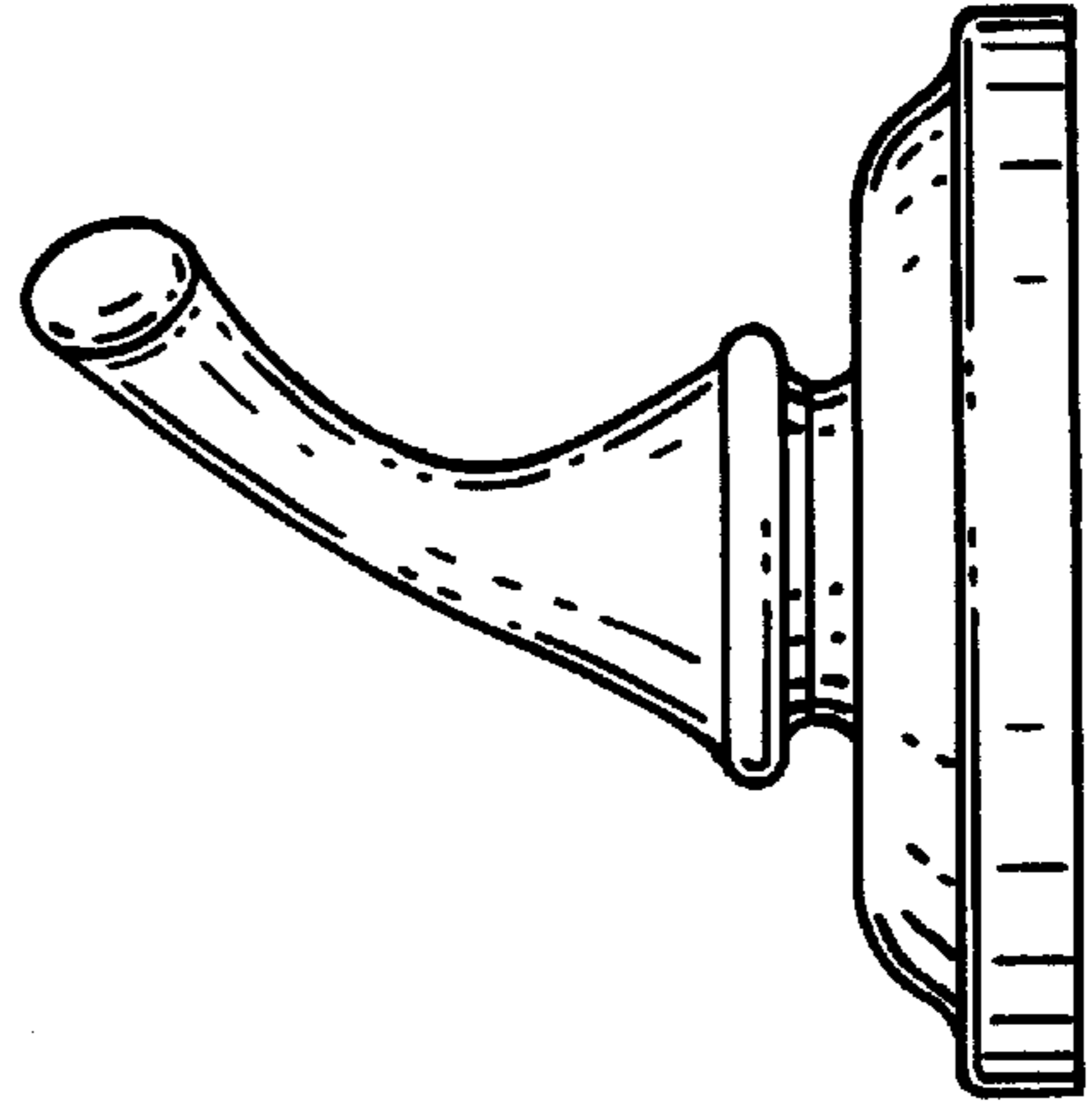


Fig. 3.

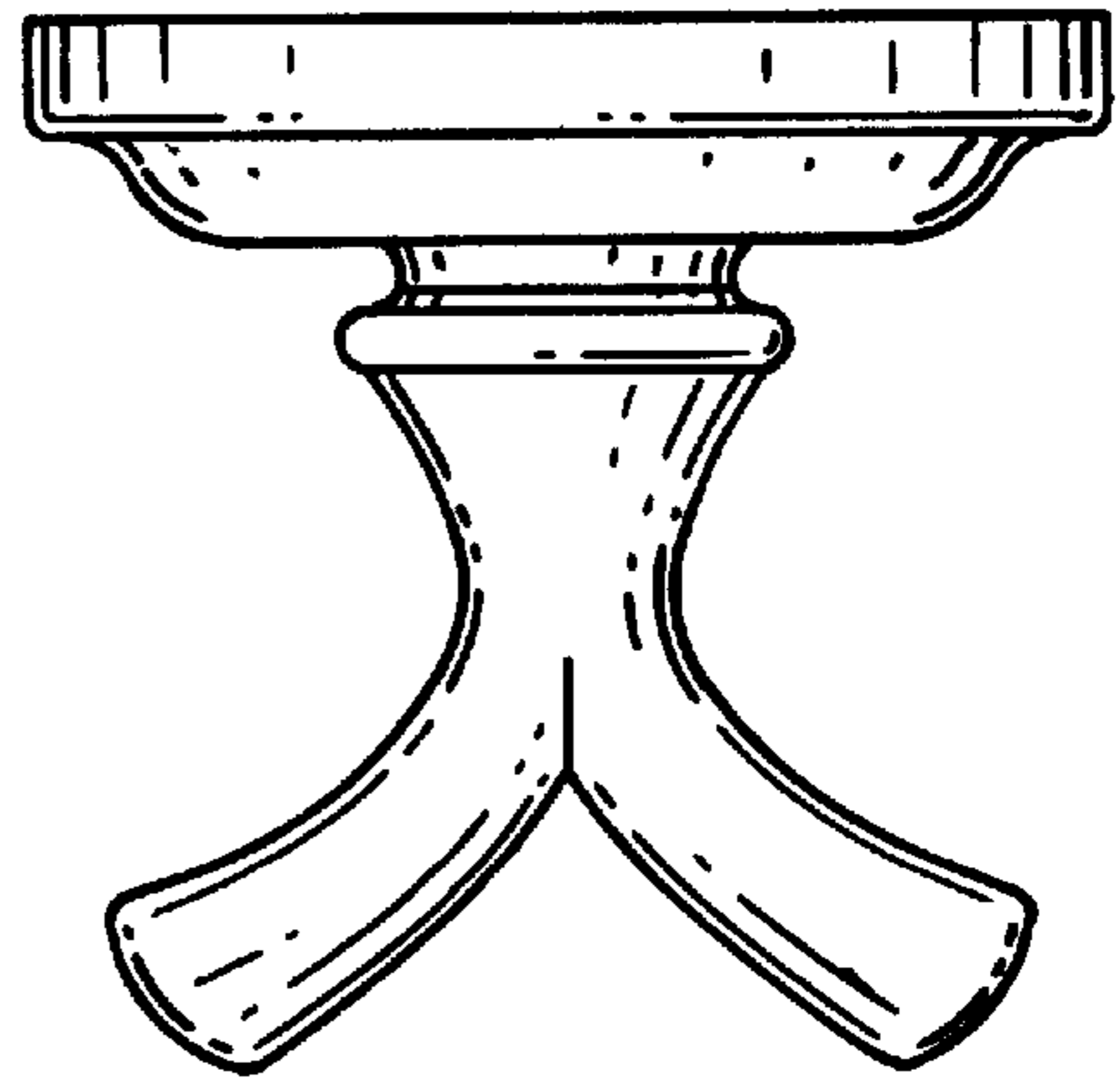


Fig. 4.