



US00D416135S

United States Patent [19] Chen

[11] Patent Number: Des. 416,135

[45] Date of Patent: ** Nov. 9, 1999

[54] COSMETIC CASE

[75] Inventor: Sung-Tsei Chen, Hacienda Heights, Calif.

[73] Assignee: Markwins International Corporation, La Verne, Calif.

[**] Term: 14 Years

[21] Appl. No.: 29/092,615

[22] Filed: Aug. 24, 1998

[51] LOC (6) Cl. 03-01

[52] U.S. Cl. D3/276; D3/905; D3/294

[58] Field of Search D3/276, 287, 289, D3/232, 233, 239, 901, 294; 190/110, 111, 112, 113, 114, 115, 100; 206/823

[56] References Cited

U.S. PATENT DOCUMENTS

D. 319,145	8/1991	Goude	D3/289
D. 333,039	2/1993	Wells et al.	D3/289
D. 360,526	7/1995	Roncato	D3/276
1,734,587	11/1929	Lowe	D3/289
2,490,222	12/1949	Lowe	190/100
2,745,524	5/1956	Plotkin	190/100
2,937,728	5/1960	Koffler	190/100

Primary Examiner—Philip S. Hyder
Attorney, Agent, or Firm—Sheldon & Mak

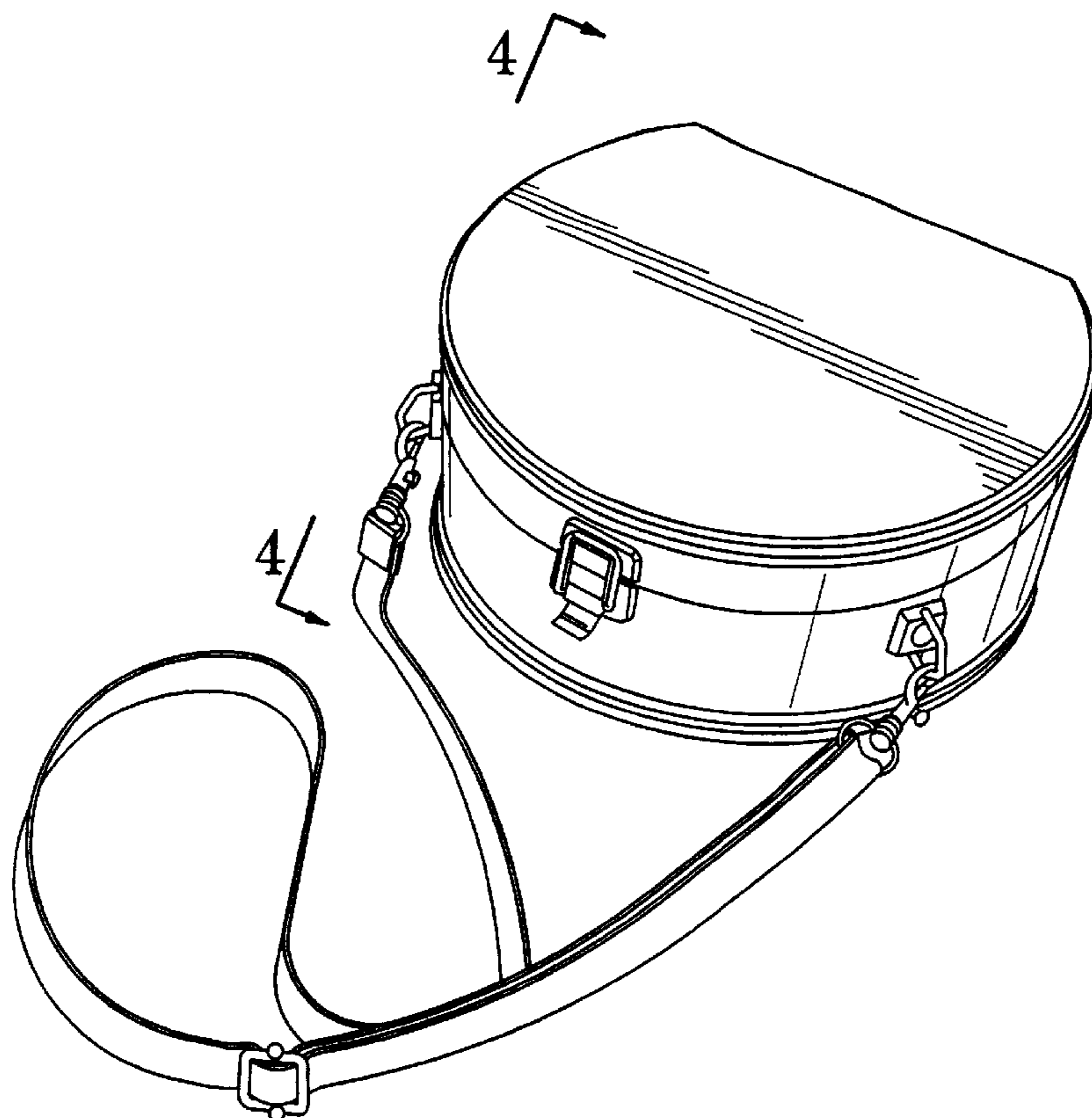
[57] CLAIM

The ornamental design for a cosmetic case, as shown and described.

DESCRIPTION

FIG. 1 is a perspective view of a first embodiment of a cosmetic case according to the present invention; FIG. 2 is a front elevation view of the cosmetic case of FIG. 1; FIG. 3 is a rear elevation view of the cosmetic case of FIG. 1; FIG. 4 is a side elevation view of the cosmetic case of FIG. 1 taken on line 4—4 of FIG. 1, wherein the other side elevation view is not shown because it is a mirror image of the view of FIG. 4; FIG. 5 is a top plan view of the cosmetic case of FIG. 1; FIG. 6 is a bottom plan view of the cosmetic case of FIG. 1; FIG. 7 is a perspective view of the cosmetic case of FIG. 1 with the top open; FIG. 8 is a perspective view of a second embodiment of the cosmetic case according to the present invention wherein the long strap is replaced with a short strap; and, FIG. 9 is a perspective view of a third embodiment of a cosmetic case according to the present invention having both a long strap and a short strap. The strap has been shown fragmentarily in FIGS. 2, 4, 5, and 6, and omitted from FIG. 3, for ease of illustration.

1 Claim, 4 Drawing Sheets



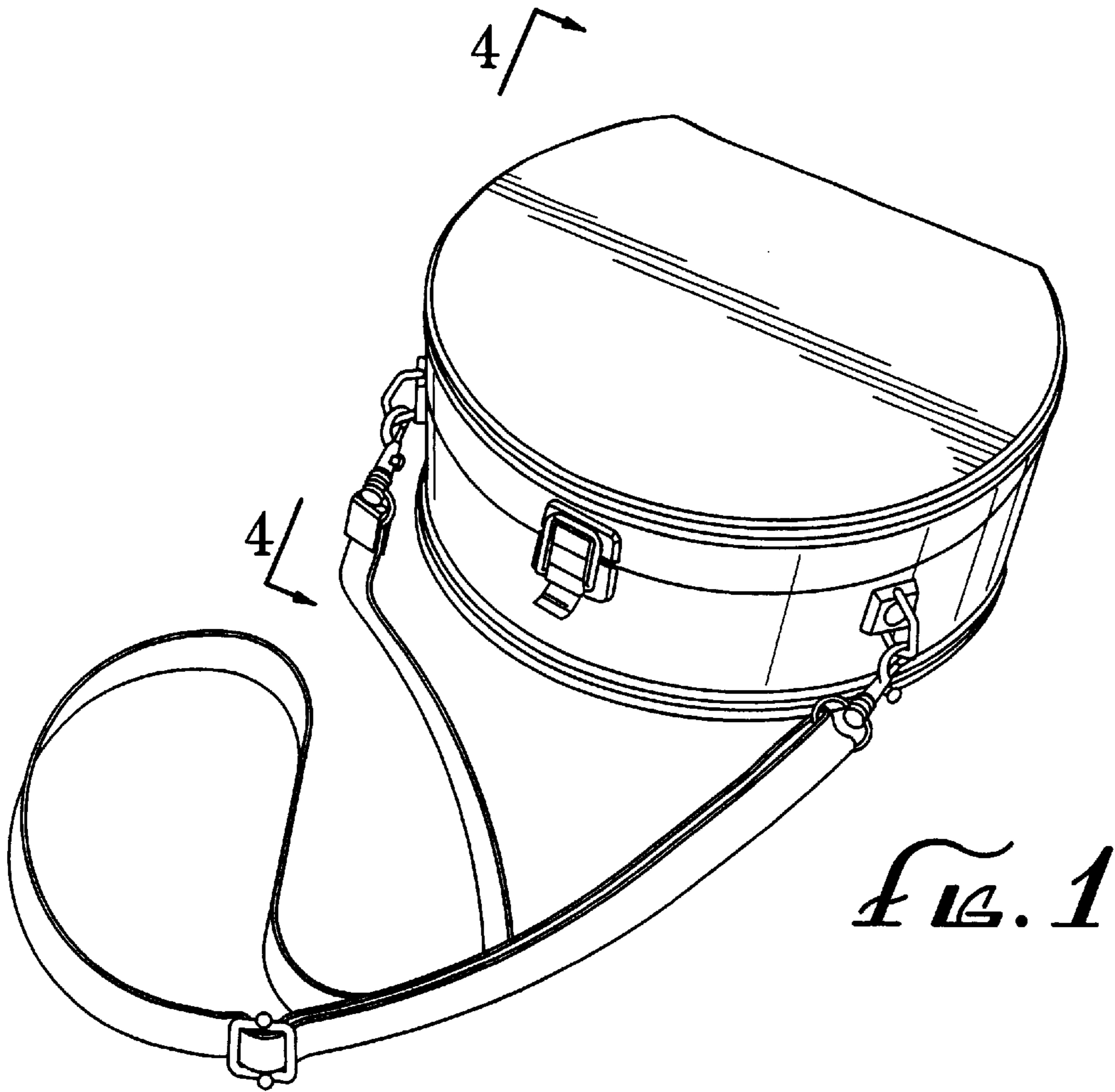
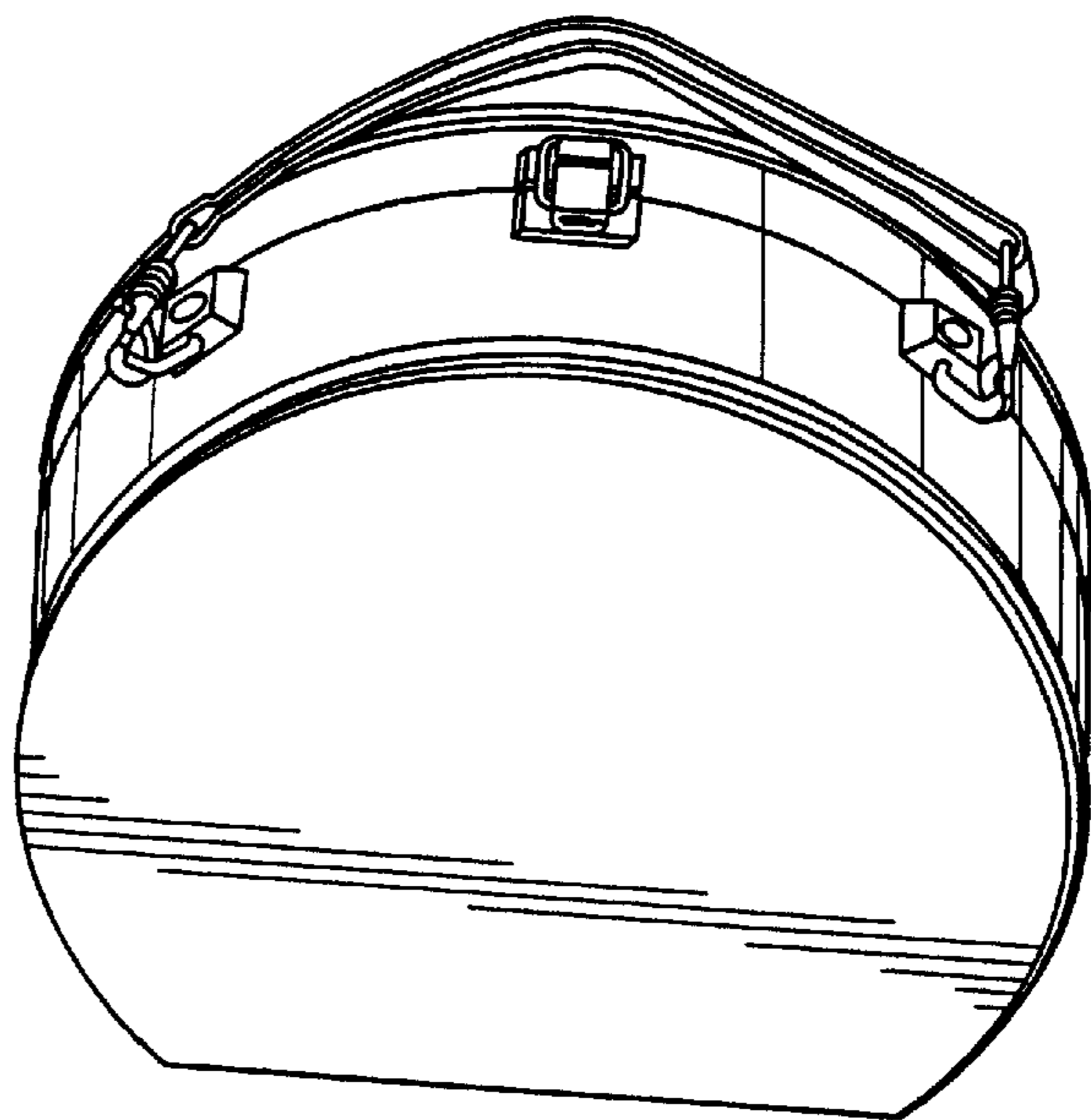


FIG. 8



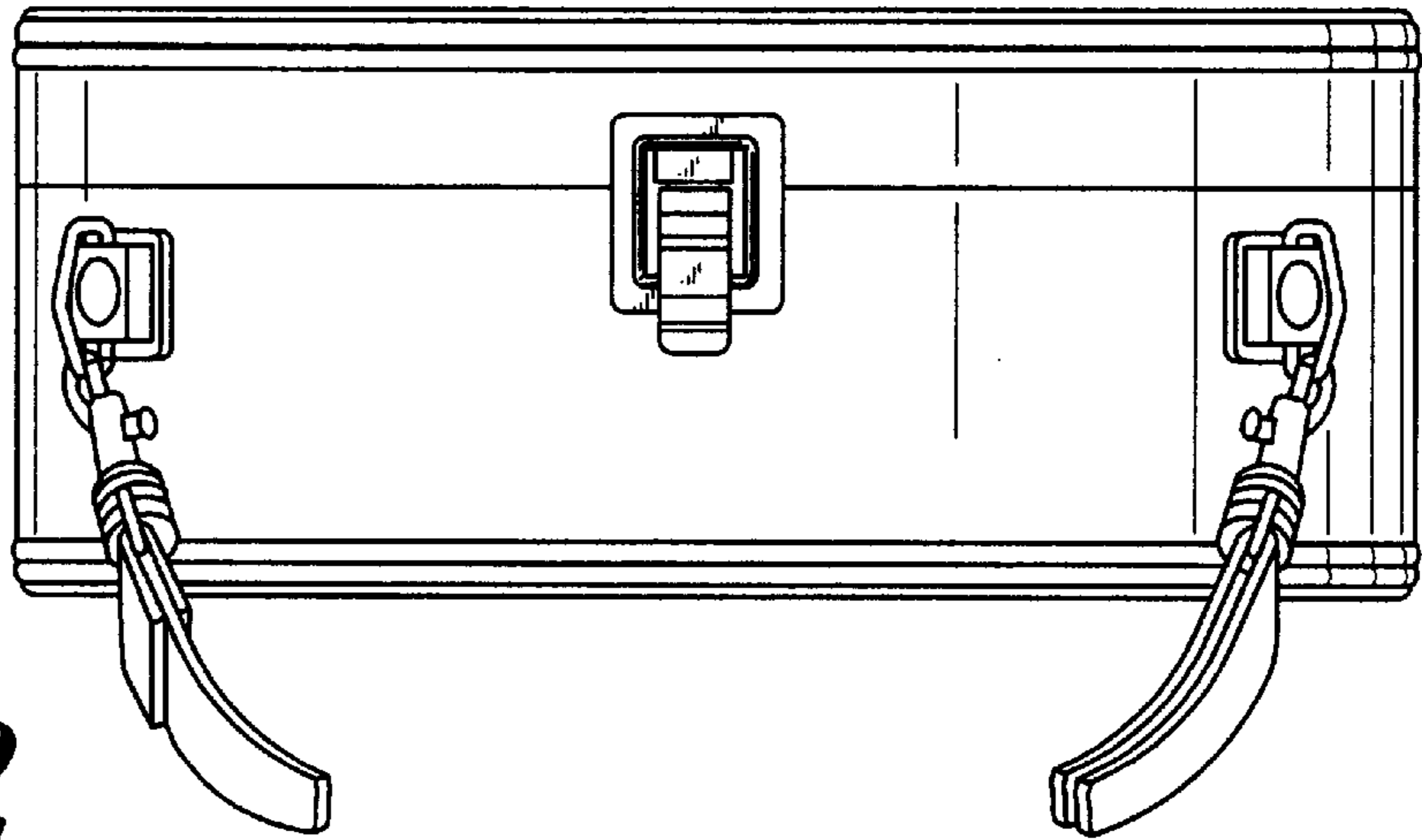


FIG. 2

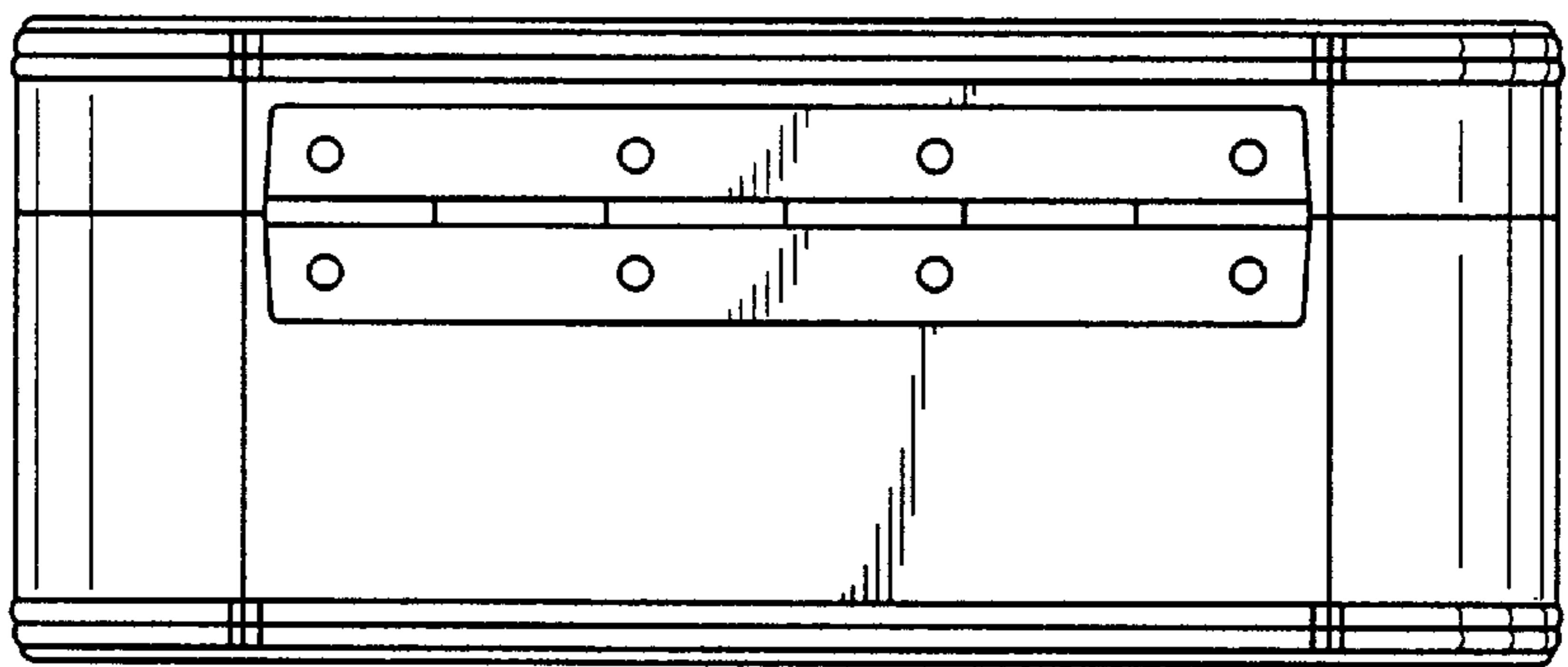


FIG. 3

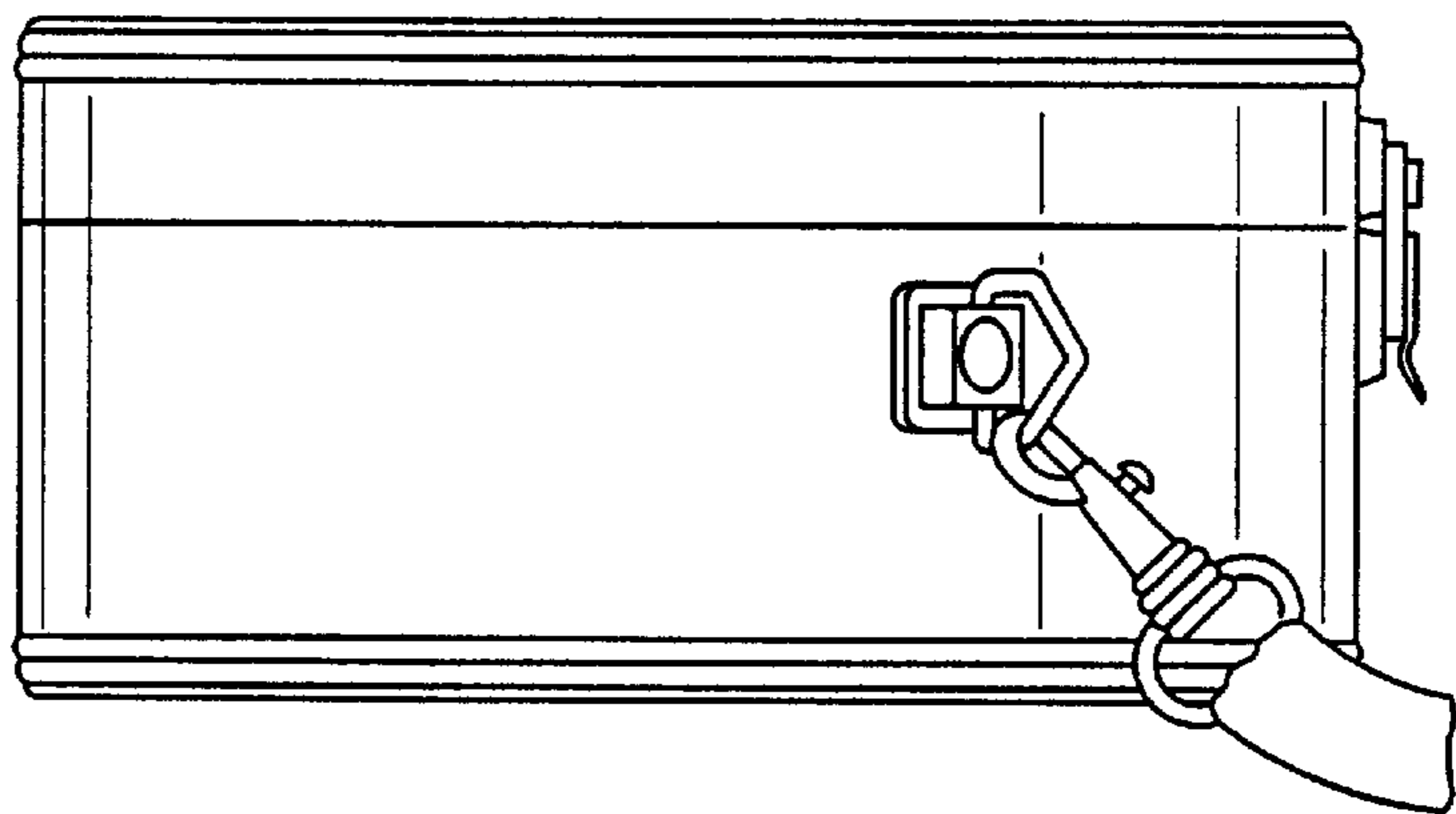


FIG. 4

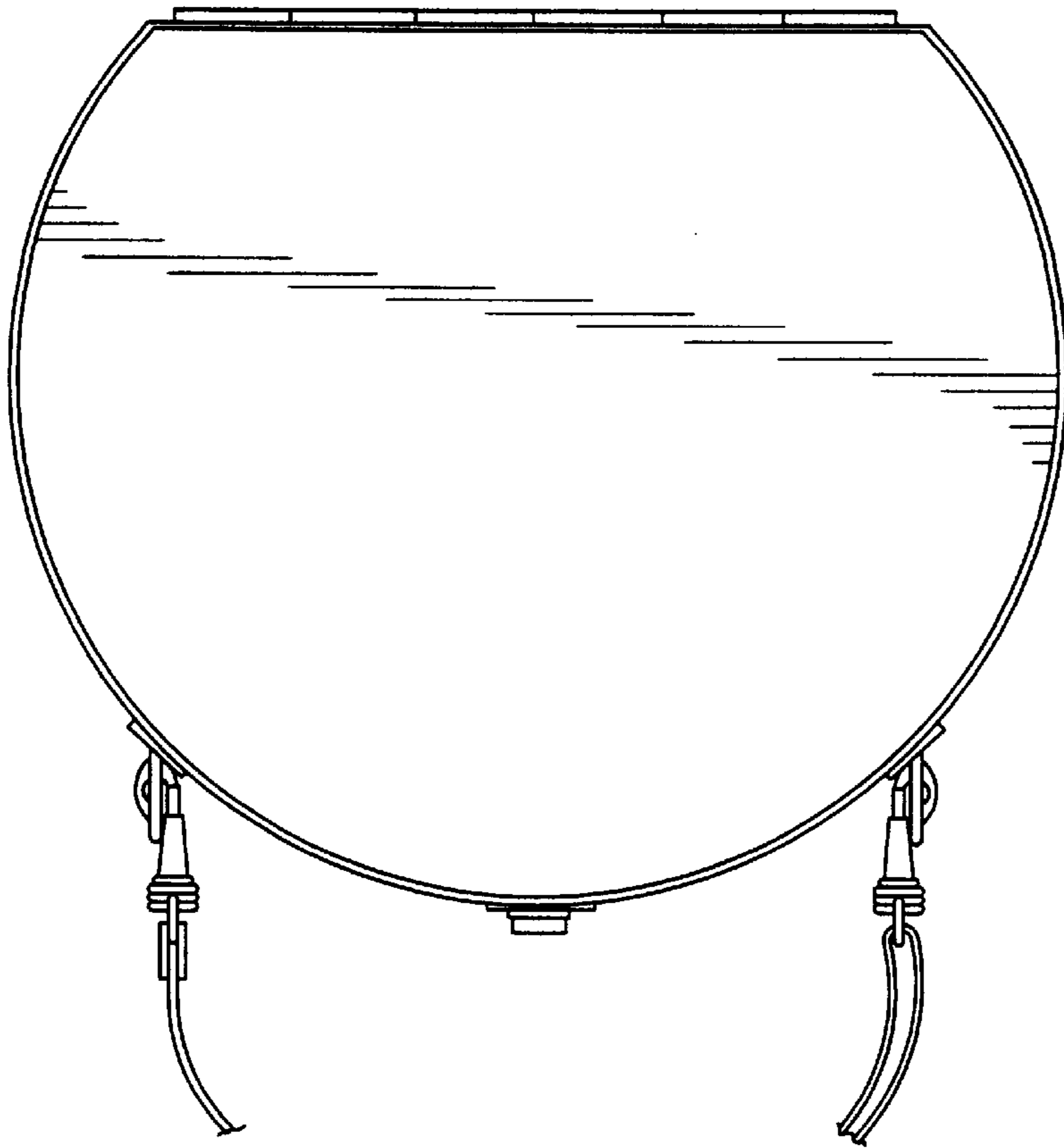


FIG. 5

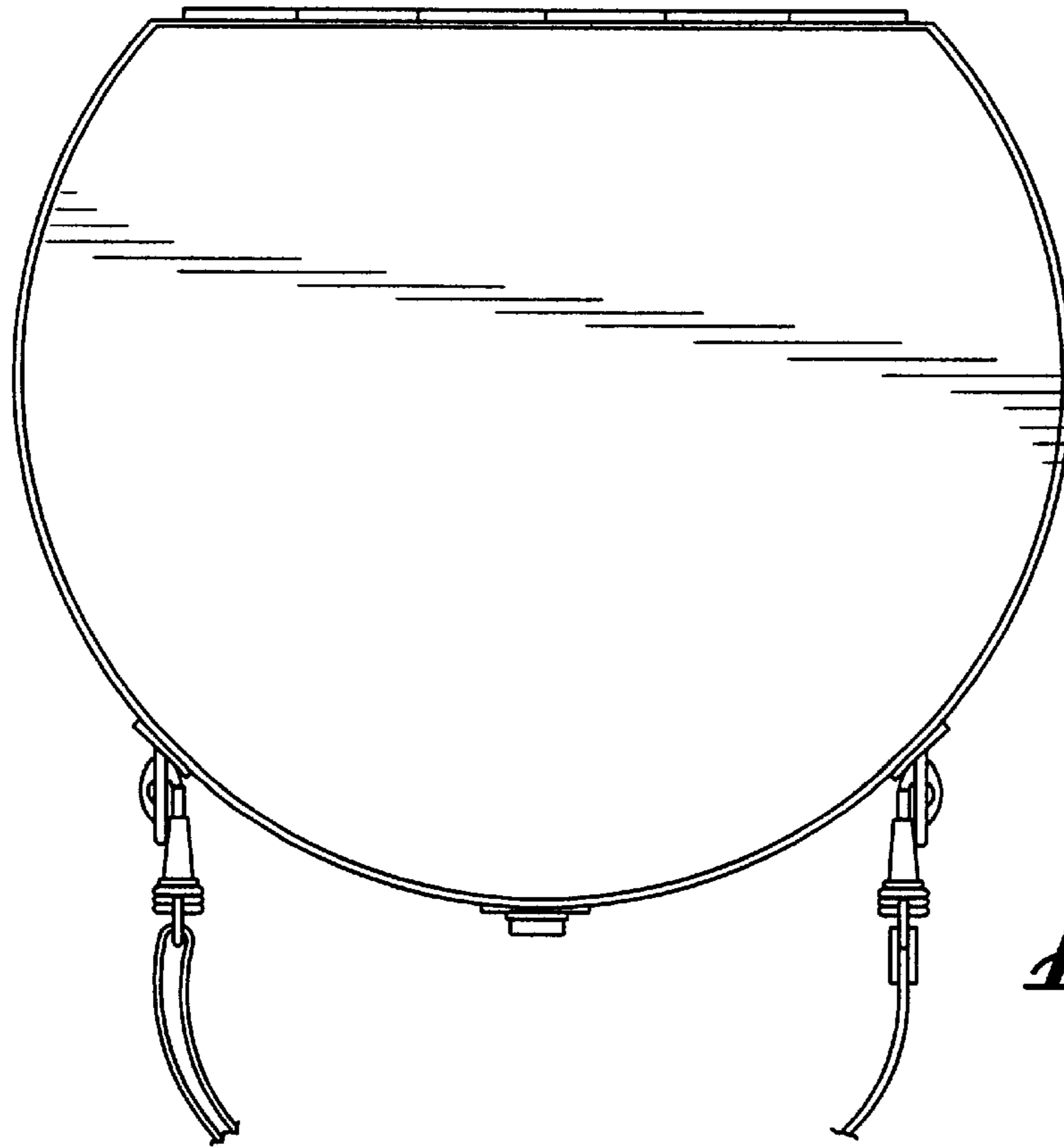


FIG. 6

FIG. 9

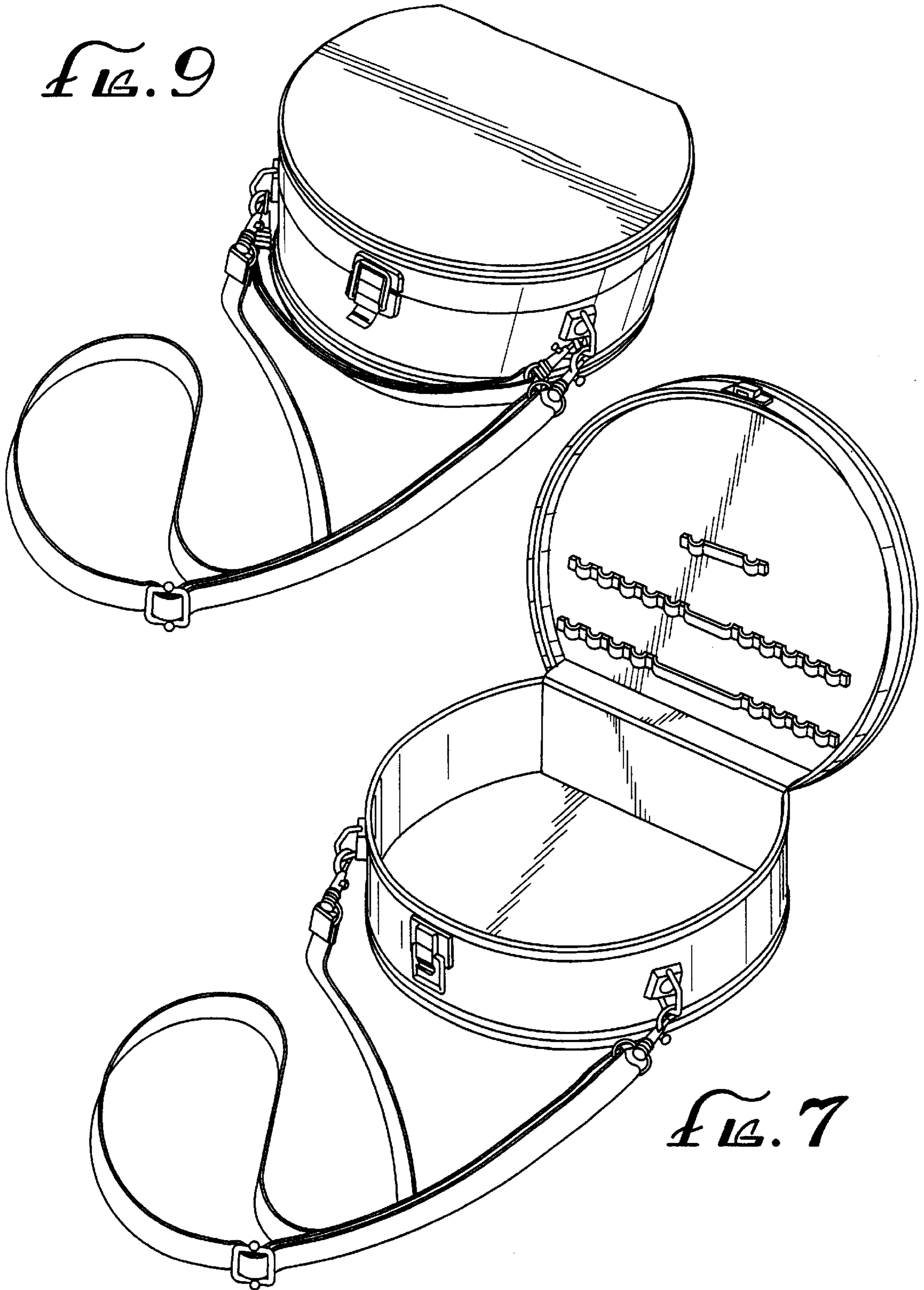


FIG. 7