



US00D416134S

United States Patent [19] Cloutier

[11] Patent Number: Des. 416,134

[45] Date of Patent: ** Nov. 9, 1999

[54] GOLF GLOVE HOLDER

4,886,196 12/1989 Plummer 224/918 X

[76] Inventor: **Kenneth F Cloutier**, 52 Mooreland Ave., Leominster, Mass. 01453

Primary Examiner—Louis S. Zarfaz
Assistant Examiner—Catherine R. Oliver
Attorney, Agent, or Firm—Mark P. White

[**] Term: 14 Years

[57] CLAIM

[21] Appl. No.: 29/102,556

The ornamental design for a golf glove holder, as shown and described.

[22] Filed: Mar. 26, 1999

DESCRIPTION

[51] LOC (6) Cl. 03-01

[52] U.S. Cl. D3/221

[58] Field of Search D3/221, 215, 224,
D3/226; 224/918, 919, 240, 236, 245, 904;
206/315.2–315.8

FIG. 1 is a perspective view of the golf glove holder showing my new design;

FIG. 2 is a front elevational view thereof;

FIG. 3 is a rear elevational view thereof;

FIG. 4 is a side elevational view, with the opposite side being a mirror image thereof;

FIG. 5 is a top plan view thereof; and,

FIG. 6 is a bottom plan view.

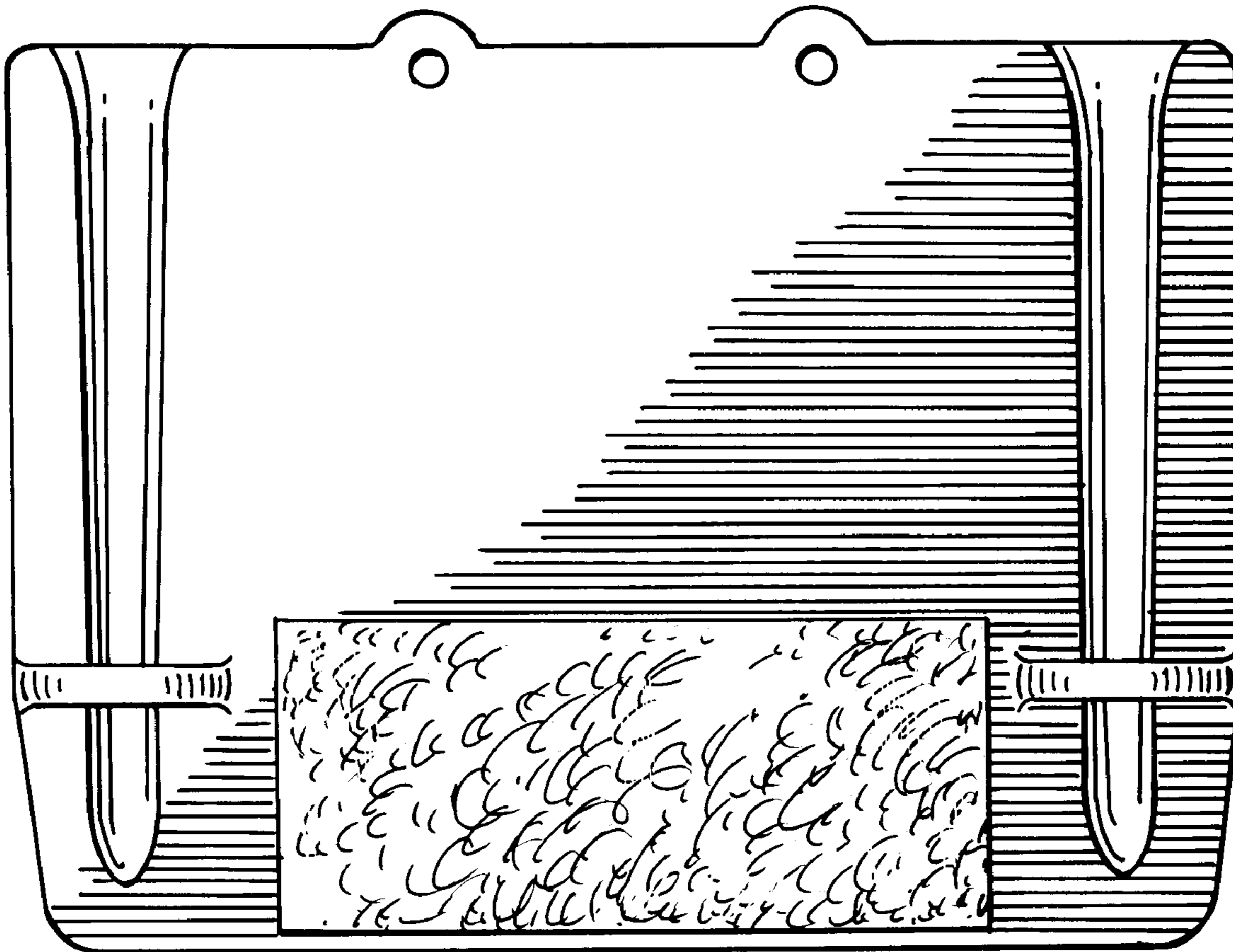
The broken line showing of environment in FIG. 1 is for illustrative purposes only and forms no part of the claimed design.

[56] References Cited

U.S. PATENT DOCUMENTS

D. 338,254	8/1993	Ribbeck	D3/221	X
D. 390,354	2/1998	Presley	D3/221	
D. 405,257	2/1999	Frisby, Jr.	D3/221	
D. 409,379	5/1999	Ellis	D3/221	
4,699,303	10/1987	Kline	224/918	X

1 Claim, 2 Drawing Sheets



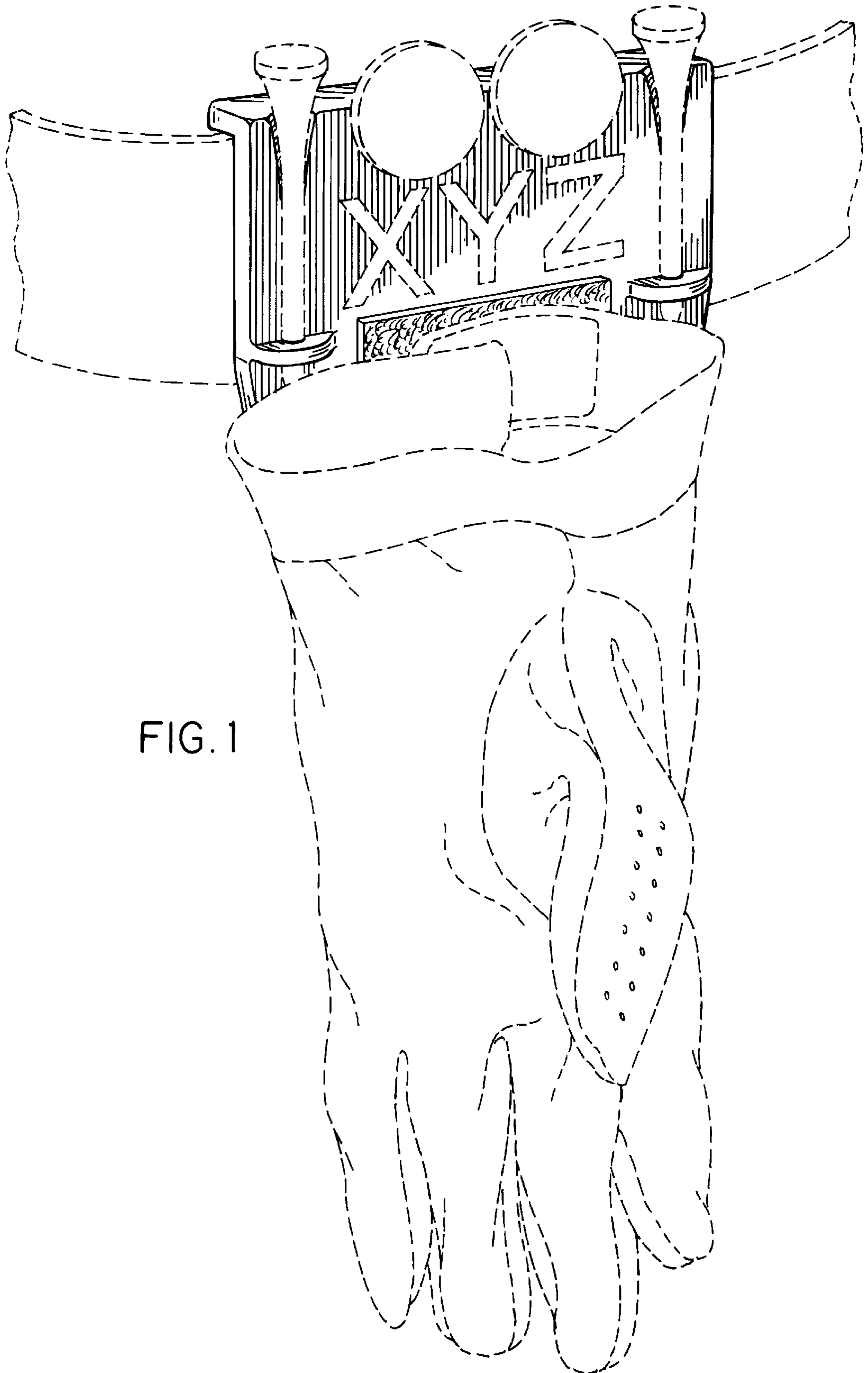


FIG. 1



FIG. 5

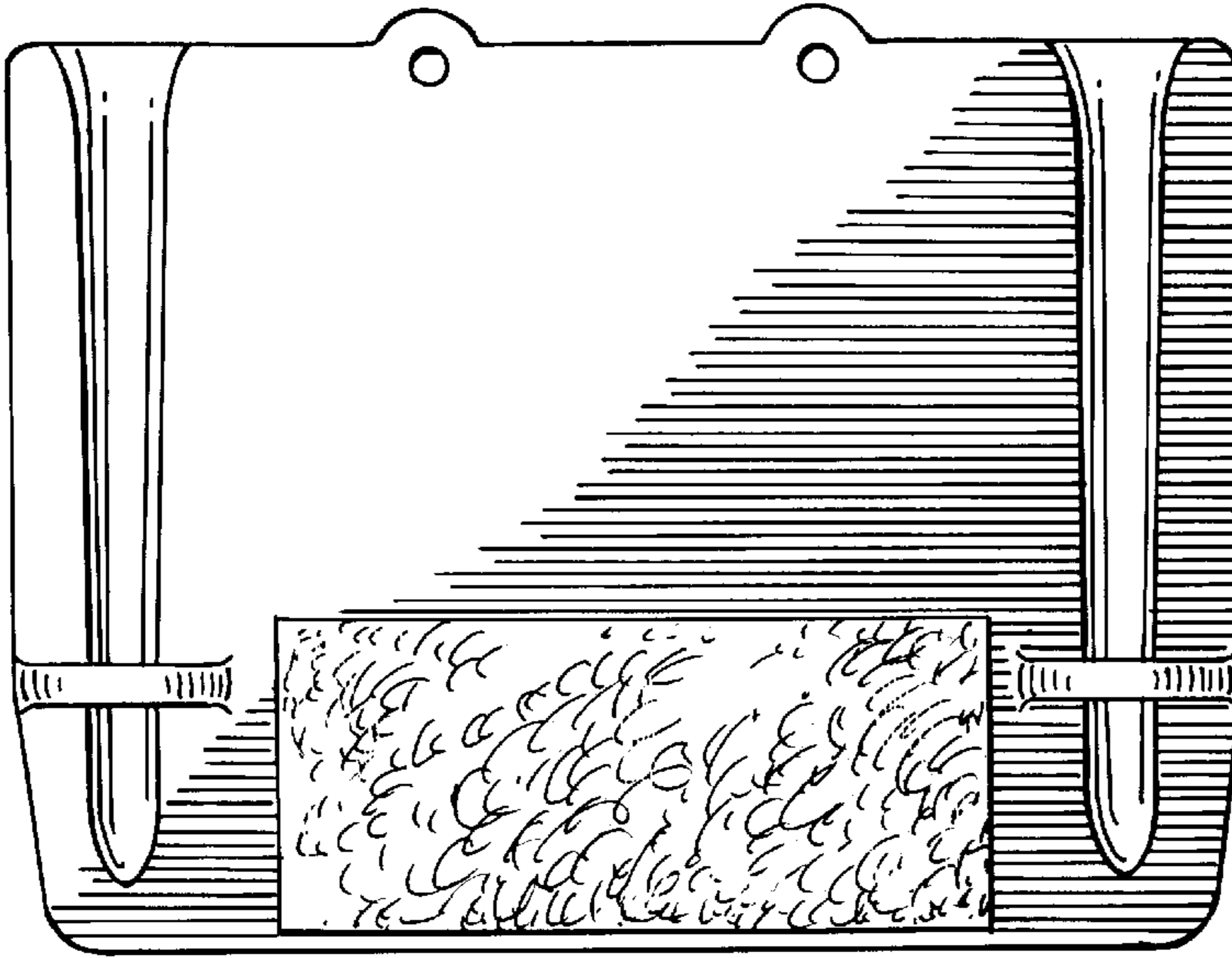


FIG. 2



FIG. 4

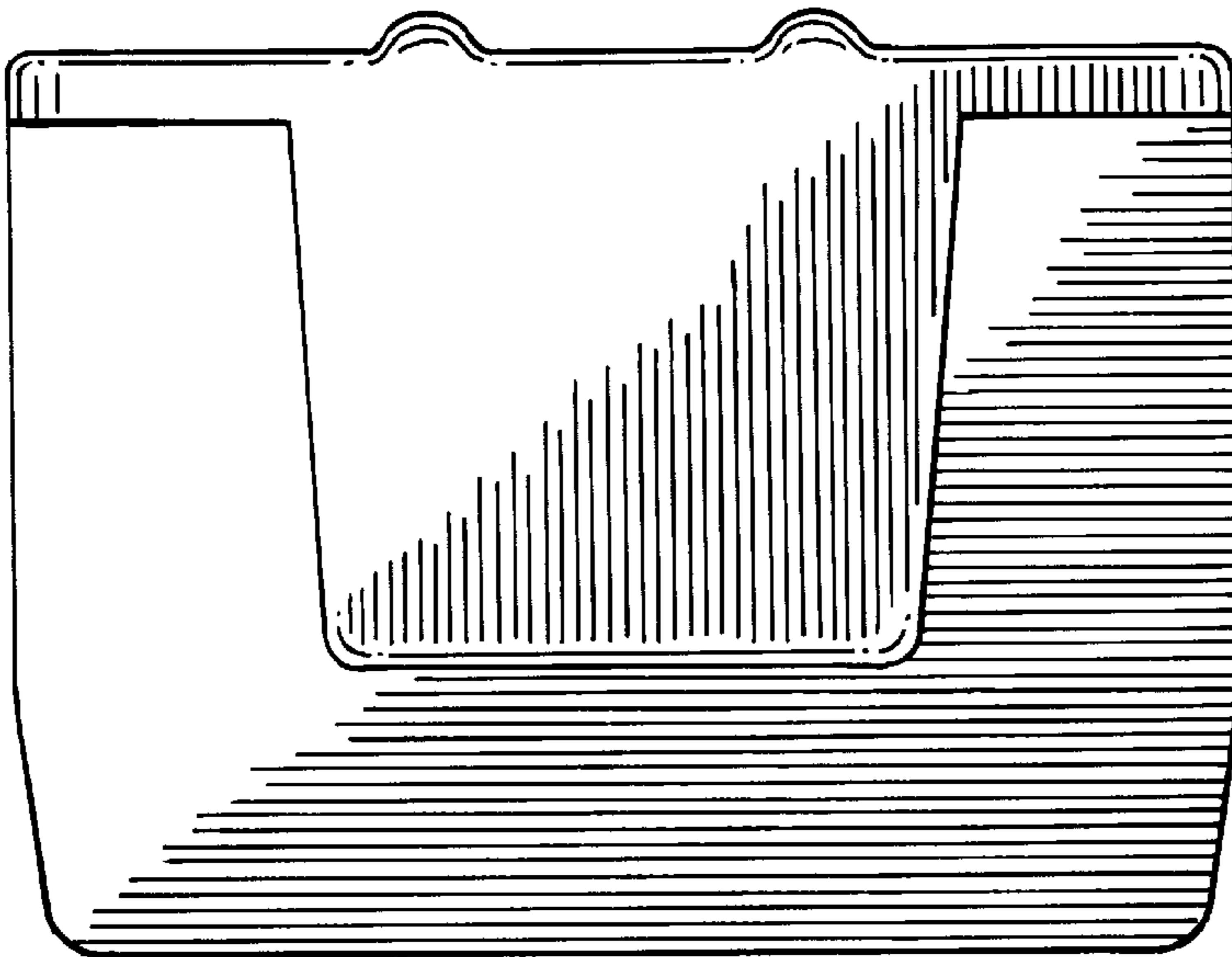


FIG. 3

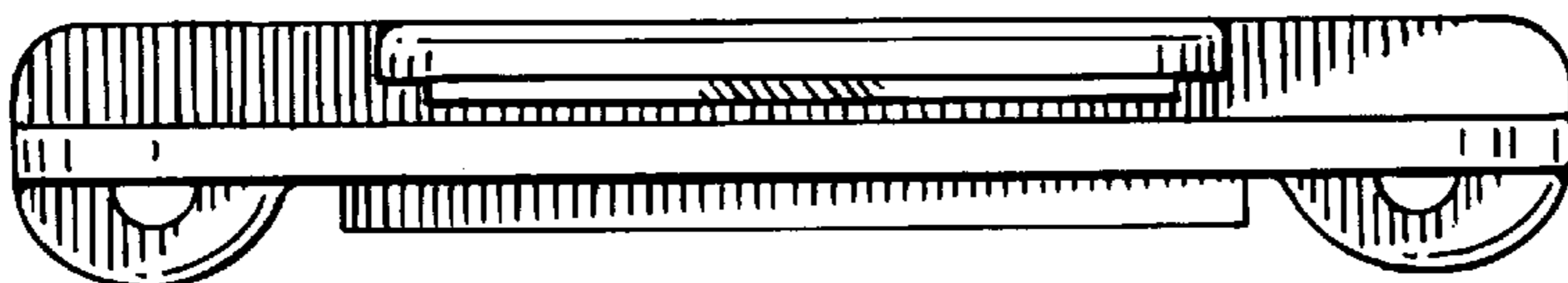


FIG. 6