



US00D416120S

# United States Patent [19] Campolito

[11] **Patent Number: Des. 416,120**

[45] **Date of Patent: \*\* Nov. 2, 1999**

[54] **PALLET PULLER**

4,869,540 9/1989 Faul ..... 294/116  
5,226,688 7/1993 Russo et al. .

[76] Inventor: **John Campolito**, 1731 Island Dr.,  
Boardman, Ohio 44514

*Primary Examiner*—Susan J. Lucas  
*Assistant Examiner*—Cynthia E. Ramirez  
*Attorney, Agent, or Firm*—Harpman & Harpman

[\*\*] Term: **14 Years**

[21] Appl. No.: **29/079,213**

[57] **CLAIM**

[22] Filed: **Nov. 14, 1997**

The ornamental design for a pallet puller, as shown and described.

[51] **LOC (6) Cl.** ..... **12-05**

**DESCRIPTION**

[52] **U.S. Cl.** ..... **D34/28**

[58] **Field of Search** ..... D34/35, 38, 28,  
D34/45; 294/116, 104, 118; 248/323, 126;  
D8/14

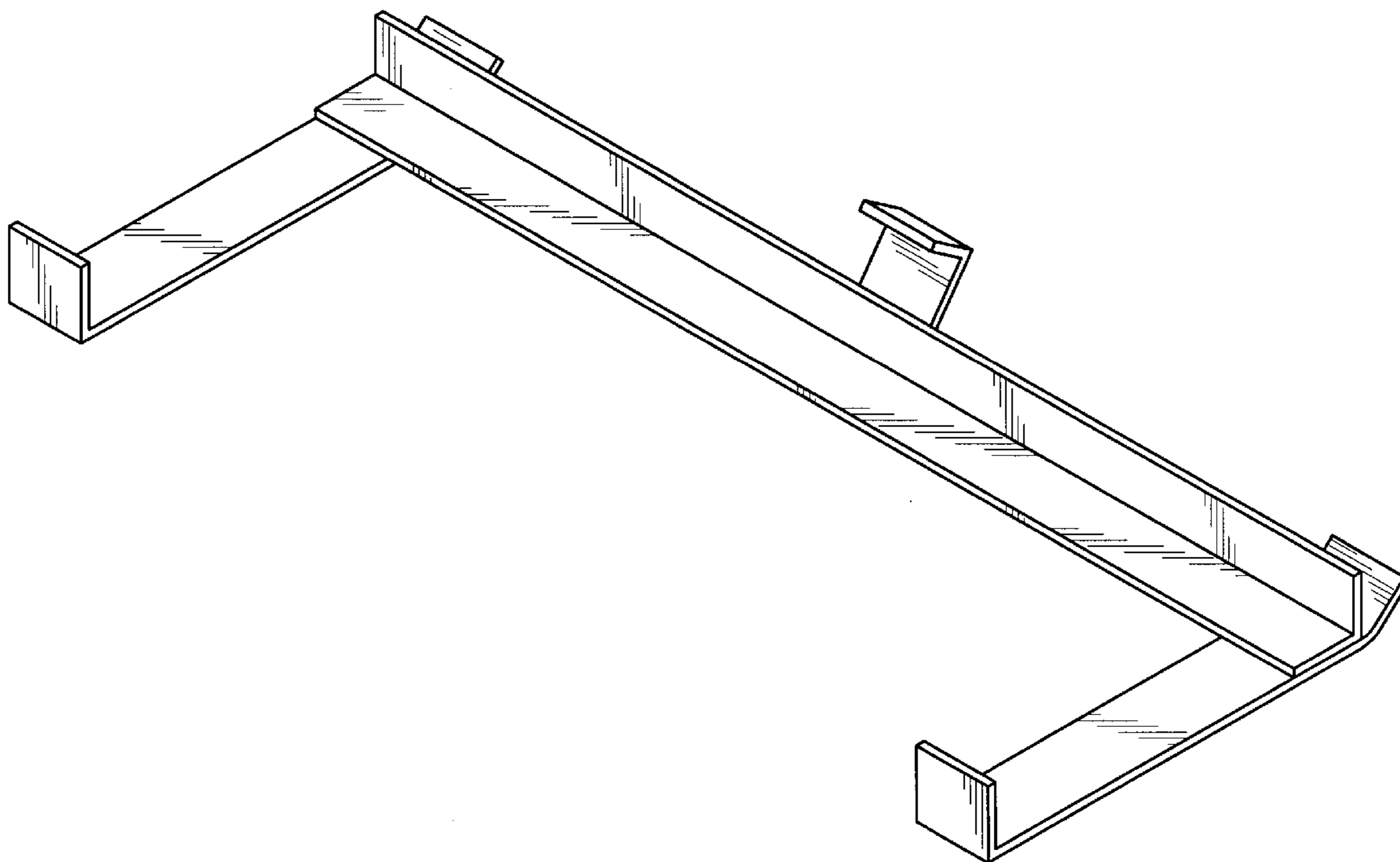
FIG. 1 is a perspective view for a pallet puller showing my new design;  
FIG. 2 is a right side elevational view thereof, the left side elevation is identical thereto;  
FIG. 3 is a front elevational view thereof;  
FIG. 4 is a rear elevational view thereof;  
FIG. 5 is a top plan view thereof; and,  
FIG. 6 is a bottom plan view thereof.

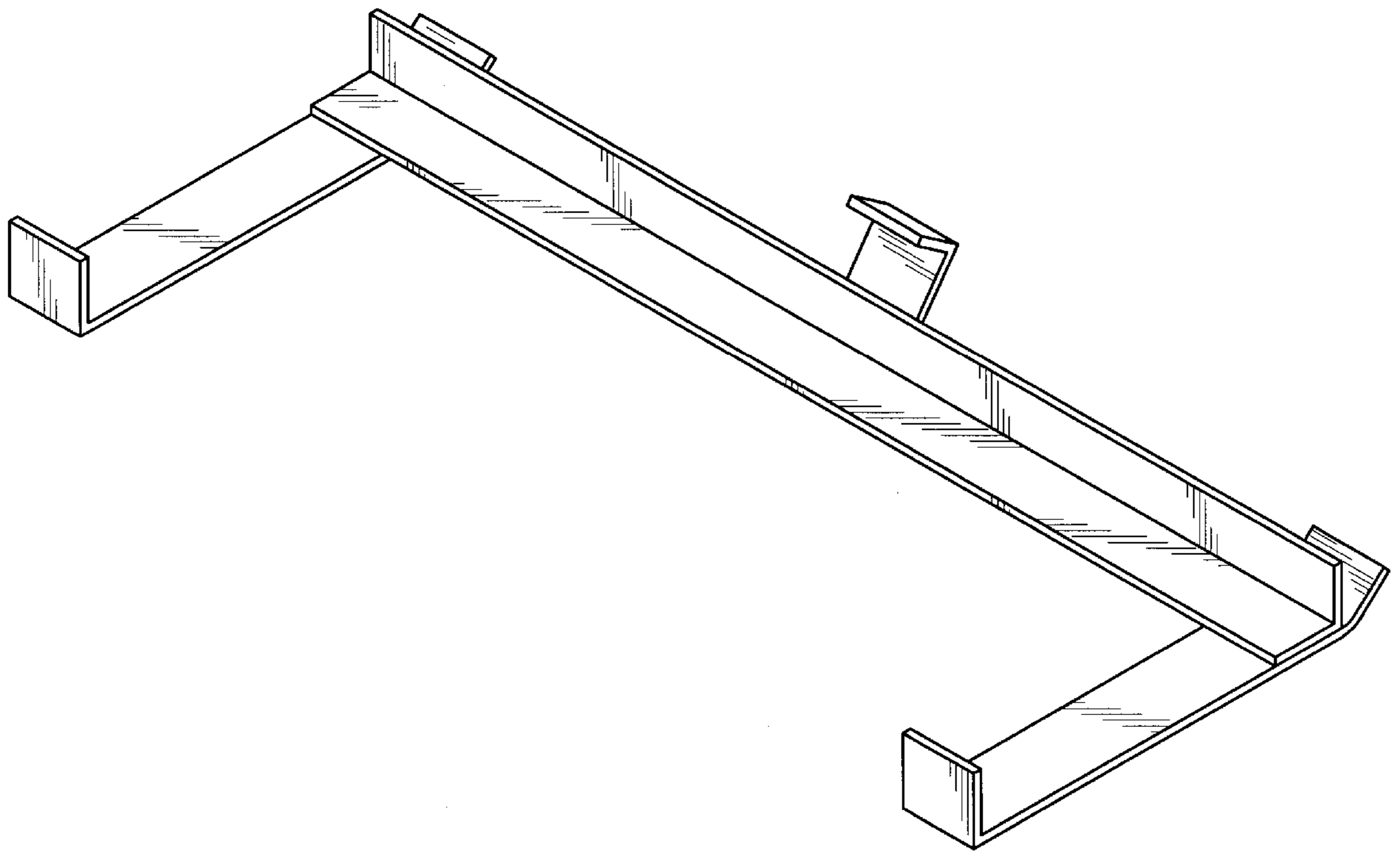
[56] **References Cited**

**U.S. PATENT DOCUMENTS**

- D. 315,239 3/1991 Krause et al. .... D34/28
- D. 366,195 1/1996 Hammond et al. .... D8/14
- D. 388,582 12/1997 Irvin, Jr. .... D34/28

**1 Claim, 3 Drawing Sheets**





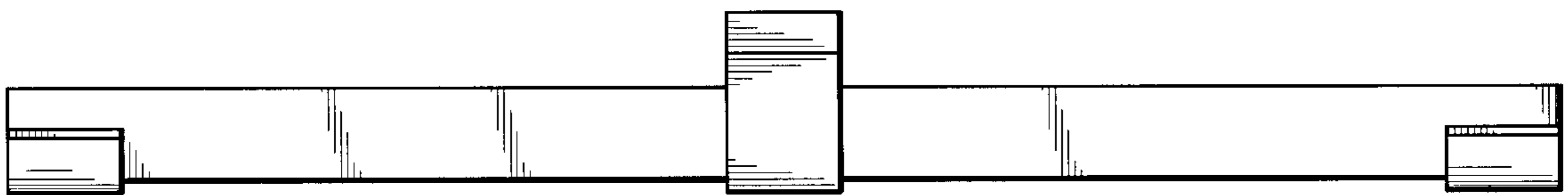
*Fig. 1*



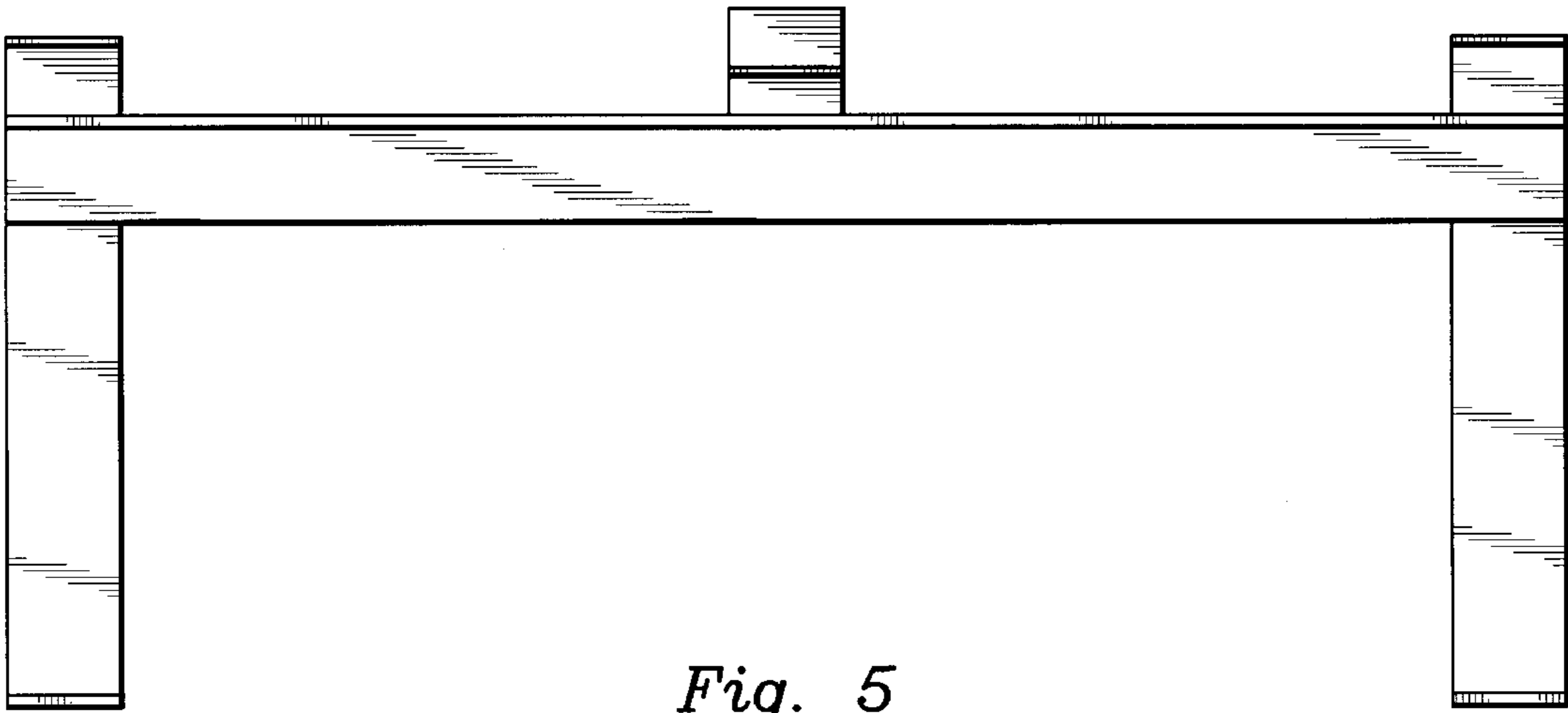
*Fig. 2*



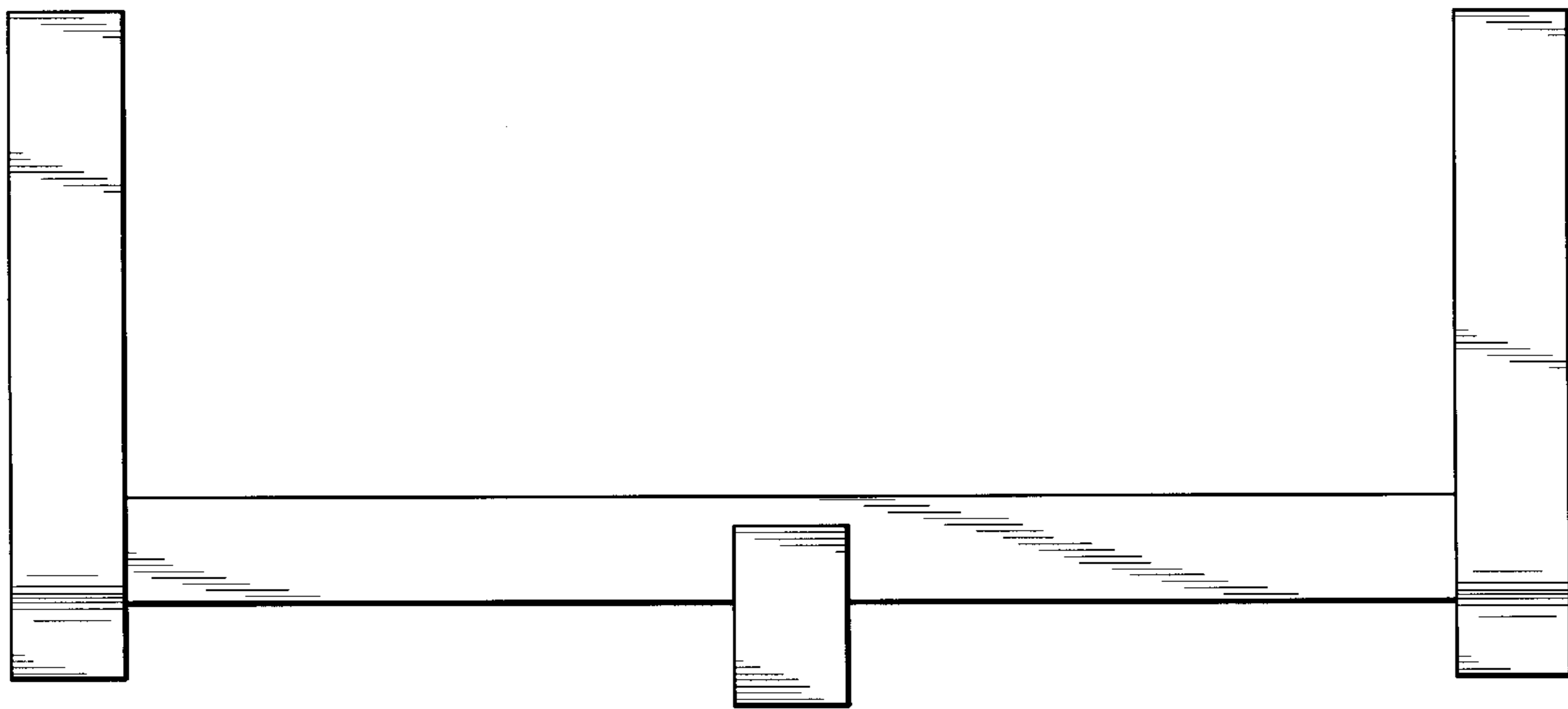
*Fig. 3*



*Fig. 4*



*Fig. 5*



*Fig. 6*