



US00D416117S

United States Patent [19]
Holland

[11] **Patent Number: Des. 416,117**

[45] **Date of Patent: ** Nov. 2, 1999**

[54] **WINDSHIELD CLEANER**

3,724,017 4/1973 Mallory 15/121
4,240,176 12/1980 Farmer 15/121

[76] Inventor: **Kenneth M Holland**, 95 First St.,
Woodland, Calif. 95695

Primary Examiner—Susan J. Lucas
Assistant Examiner—Cynthia E Ramirez

[**] Term: **14 Years**

[57] **CLAIM**

[21] Appl. No.: **29/093,096**

The ornamental design for a windshield cleaner, as shown.

[22] Filed: **Sep. 3, 1998**

DESCRIPTION

[51] **LOC (6) Cl.** **08-05**

[52] **U.S. Cl.** **D32/42; D4/116**

[58] **Field of Search** D32/40, 41, 46,
D32/49, 42; D4/118, 132, 116; 15/236.02,
245, 245.1, 105.52, 111, 117, 118, 121

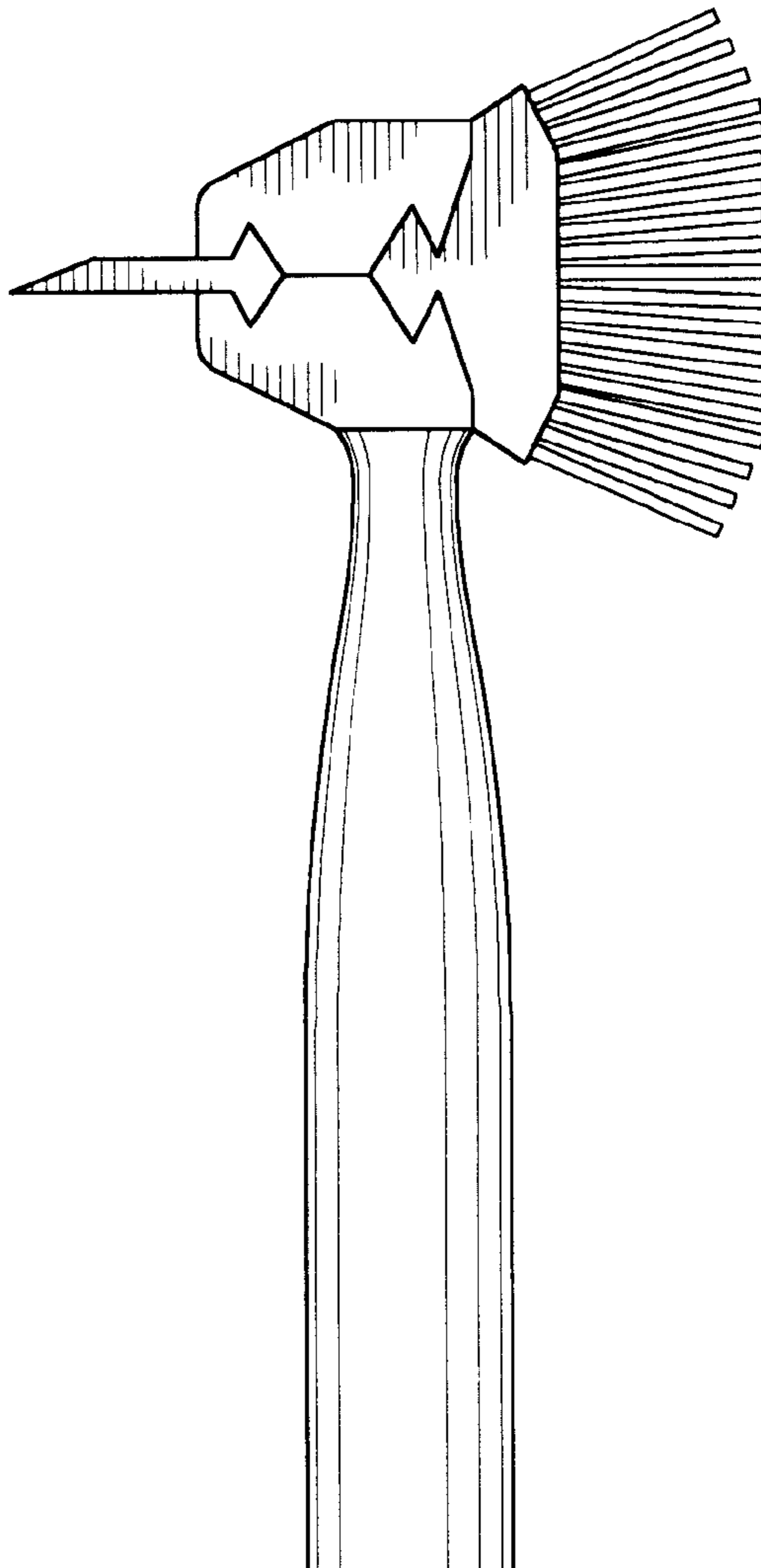
FIG. 1 is a front elevational view of the windshield cleaner of the present invention;
FIG. 2 is a back elevational view of the windshield cleaner of FIG. 1;
FIG. 3 is a left side elevational view of the windshield cleaner of FIG. 1;
FIG. 4 is a right side elevational view of the windshield cleaner of FIG. 1;
FIG. 5 is a top plan view of the windshield cleaner of FIG. 1; and,
FIG. 6 is a bottom plan view of the windshield cleaner of FIG. 1.

[56] **References Cited**

U.S. PATENT DOCUMENTS

| | | | |
|------------|---------|--------------------|--------|
| D. 151,021 | 9/1948 | Vosbikian et al. . | |
| D. 292,949 | 12/1987 | Vetter | D4/116 |
| D. 308,139 | 5/1990 | Viner | D4/118 |
| D. 316,318 | 4/1991 | Cheang | D32/42 |
| D. 386,852 | 11/1997 | Viner | D32/42 |

1 Claim, 3 Drawing Sheets



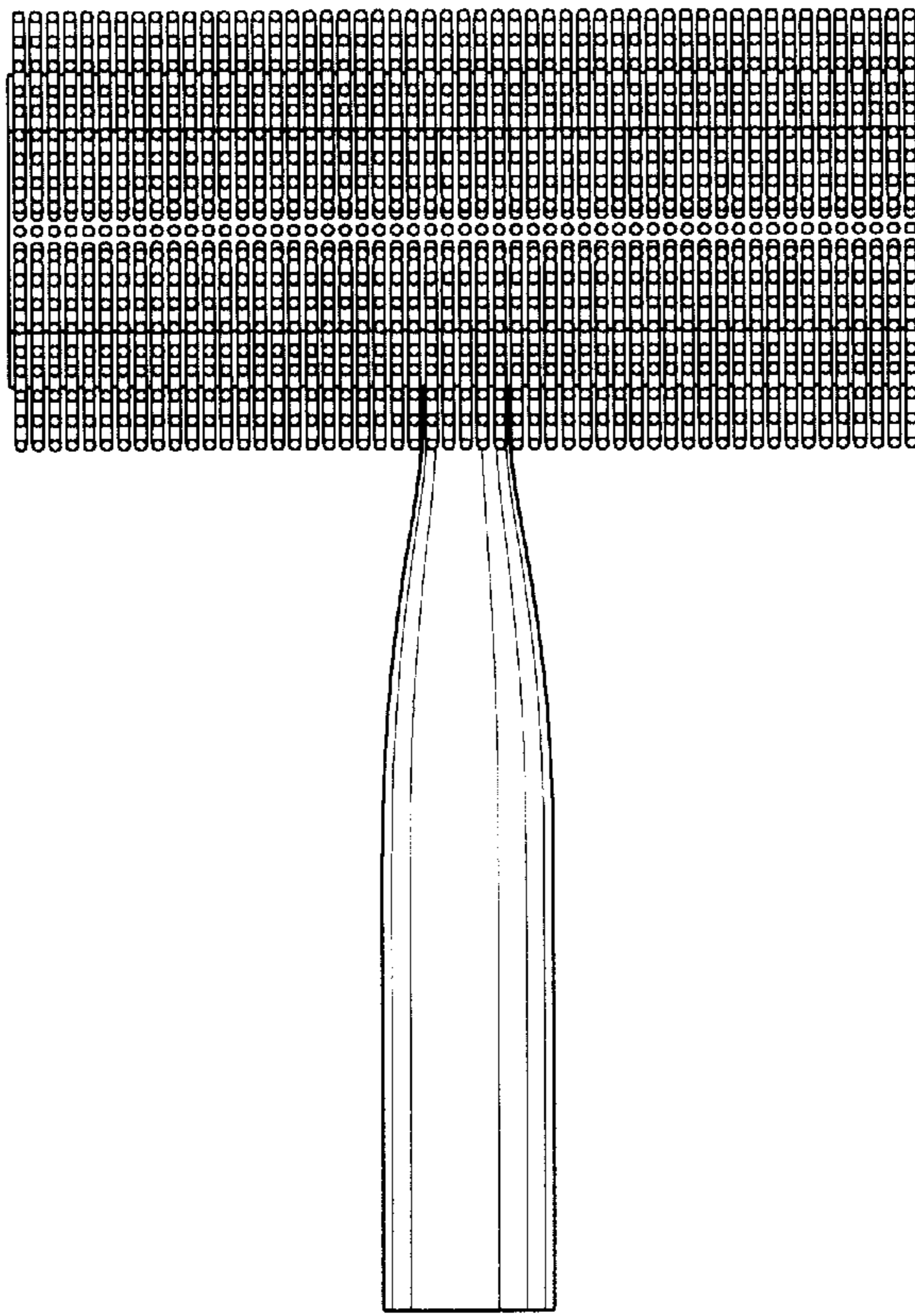


Fig. 1

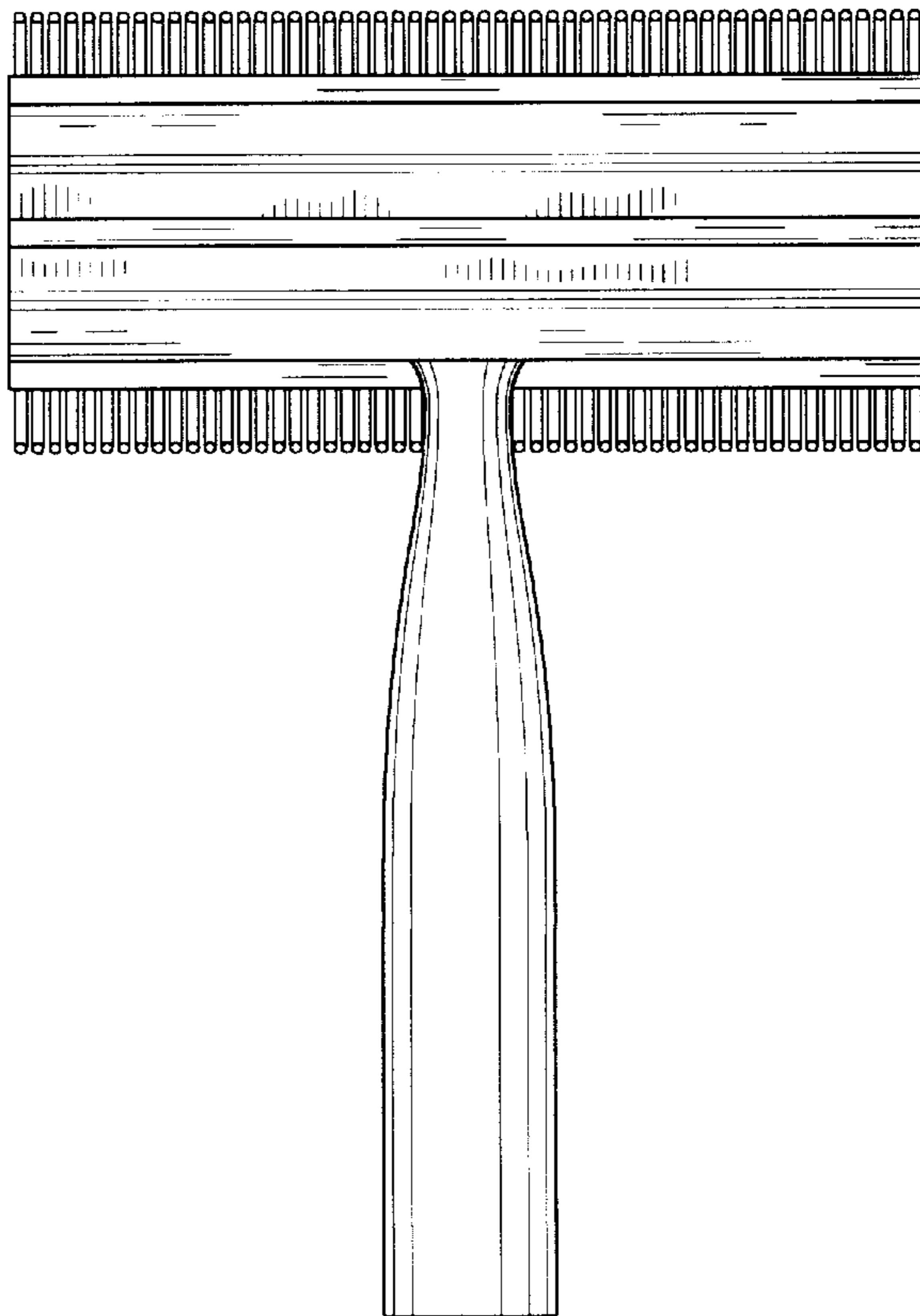


Fig. 2

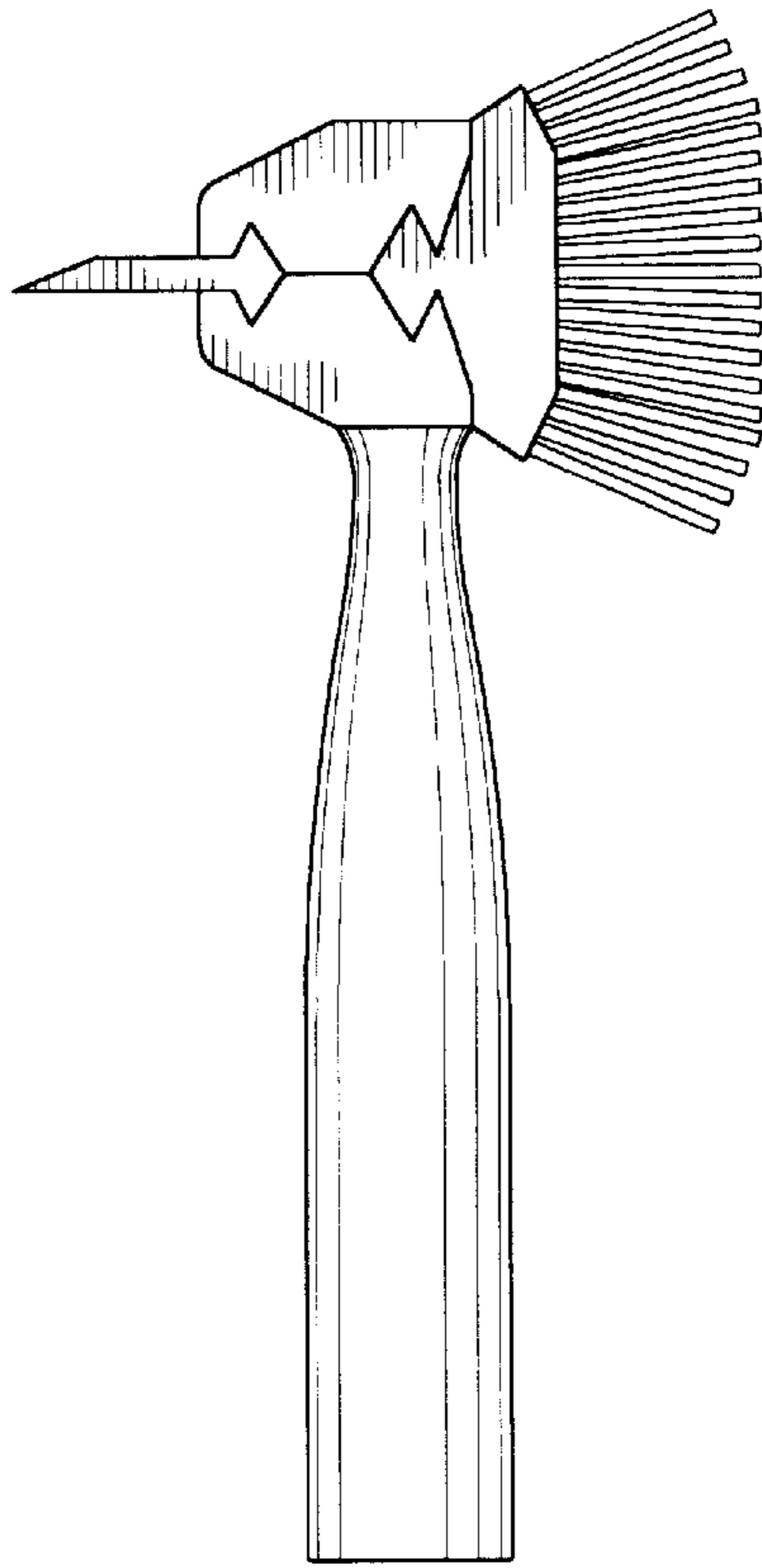


Fig. 3

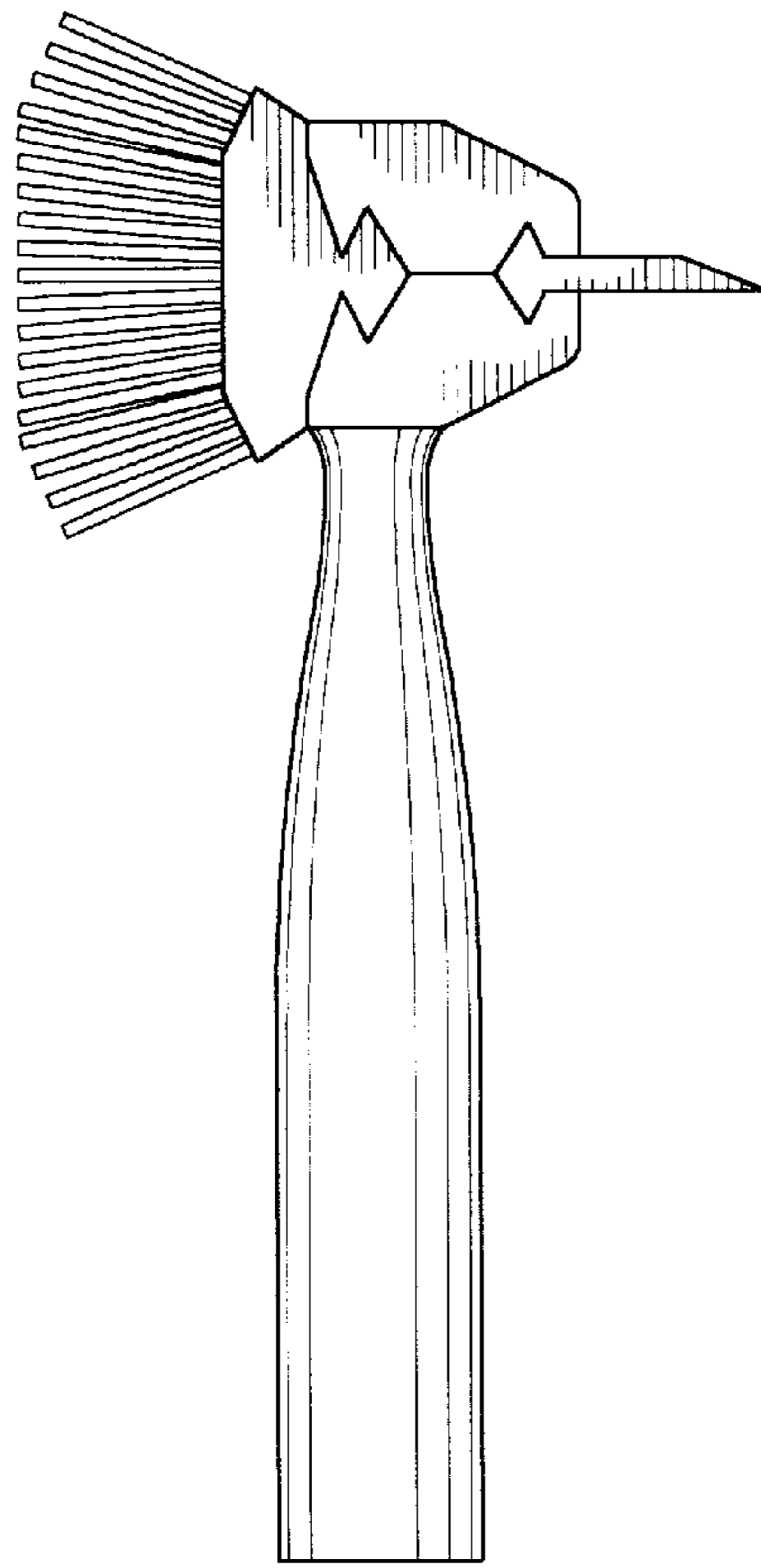


Fig. 4

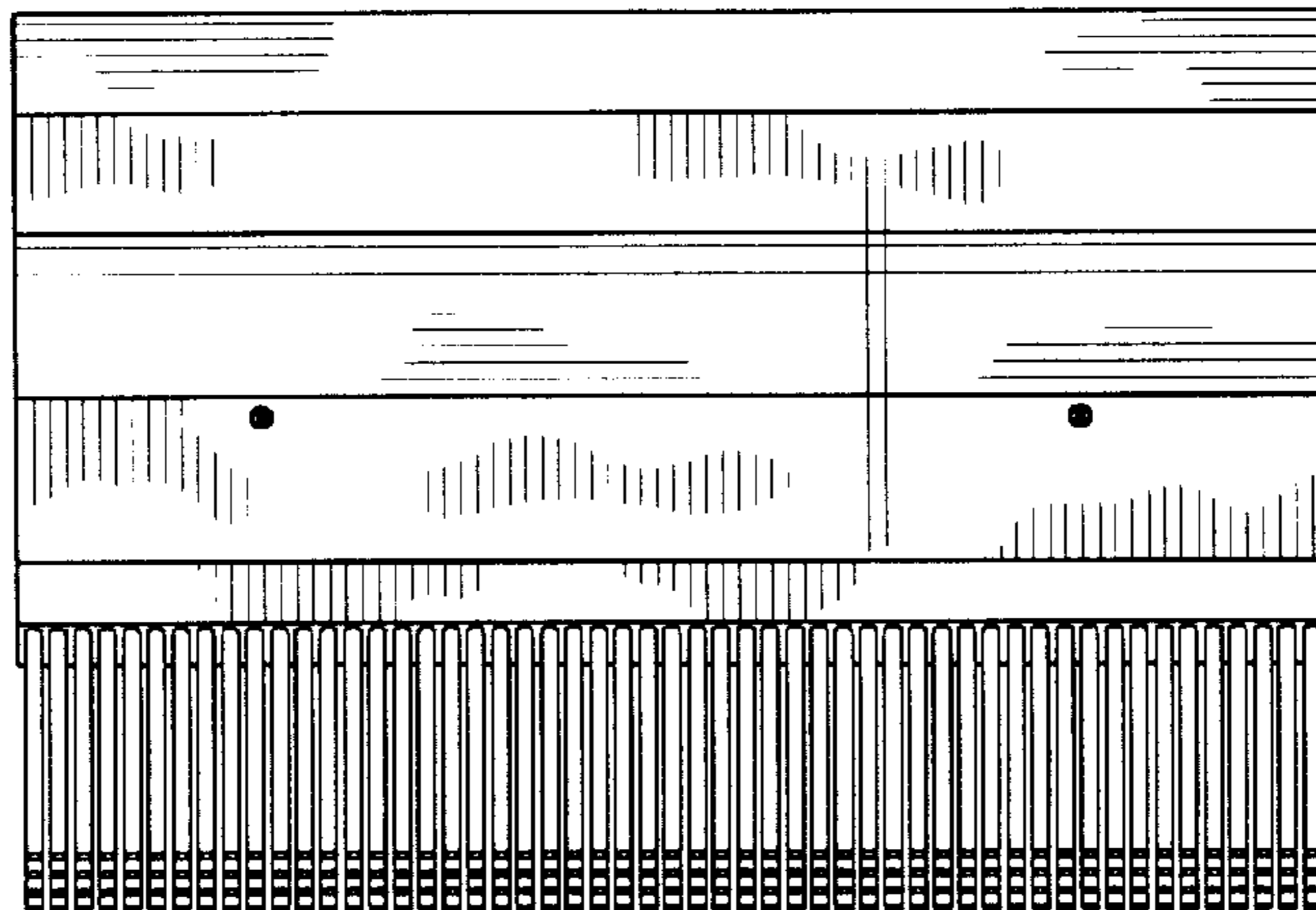


Fig. 5

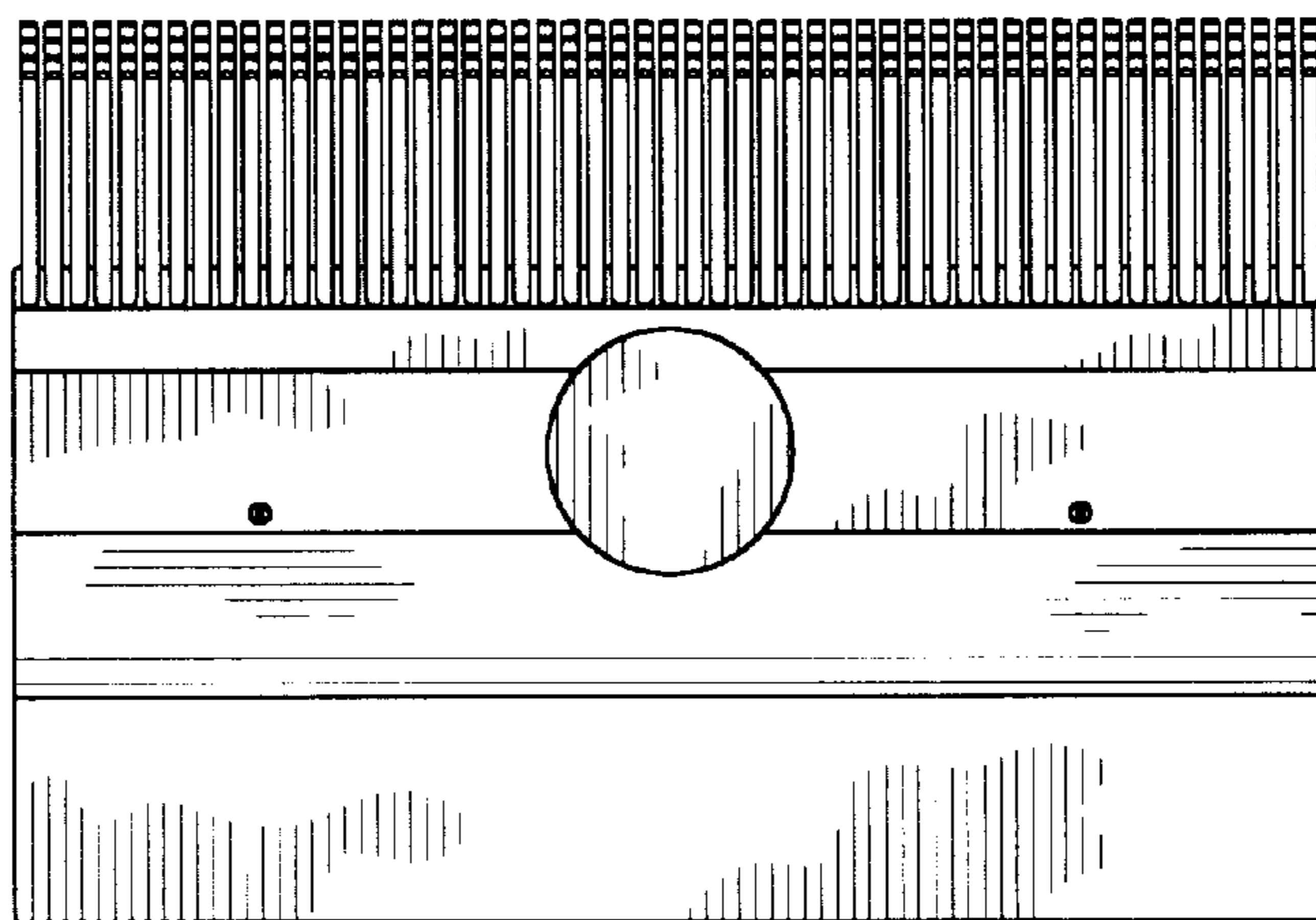


Fig. 6