



US00D416115S

# United States Patent [19]

Rohn et al.

[11] Patent Number: **Des. 416,115**

[45] Date of Patent: **\*\* Nov. 2, 1999**

[54] **VACUUM CLEANER NOZZLE**

[75] Inventors: **Dean Robert Rohn**, Cadillac, Mich.;  
**John David Gundlach**, Action, Mass.

[73] Assignee: **Rexair, Inc.**, Troy, Mich.

[\*\*] Term: **14 Years**

[21] Appl. No.: **29/087,302**

[22] Filed: **Apr. 30, 1998**

[51] **LOC (6) Cl.** ..... **15-05**

[52] **U.S. Cl.** ..... **D32/32**

[58] **Field of Search** ..... D32/21, 22, 31-34;  
15/322, 354, 355, 358, 362, 366, 378, 400,  
412, 414, 415.1-422, 422.1, 339

[56] **References Cited**

**U.S. PATENT DOCUMENTS**

Re. 21,256	11/1939	Brock	15/156
D. 263,236	3/1982	Ueda	D32/32
D. 329,512	9/1992	McKnight et al.	D32/32
D. 331,991	12/1992	Wright et al.	D32/32
D. 347,305	5/1994	Roh et al.	D32/32
D. 352,809	11/1994	Reath	D32/31
D. 358,242	5/1995	McKnight	D32/32
D. 376,879	12/1996	Selewski et al.	D32/32
2,035,688	3/1936	Brock	15/156
2,325,739	8/1943	Brock	15/157

2,706,826	4/1955	Brock	15/368
3,225,379	12/1965	Cummins	15/367
4,053,962	10/1977	McDowell	15/415 R
4,485,518	12/1984	Kasper	15/322
5,022,115	6/1991	Kasper	15/353
5,123,141	6/1992	Erickson et al.	15/373
5,125,129	6/1992	Kasper et al.	15/353
5,280,666	1/1994	Wood et al.	15/401
5,339,487	8/1994	Kasper	15/246.2
5,537,710	7/1996	Selewski	15/377

*Primary Examiner*—Ruth McInroy  
*Attorney, Agent, or Firm*—Howard & Howarwd

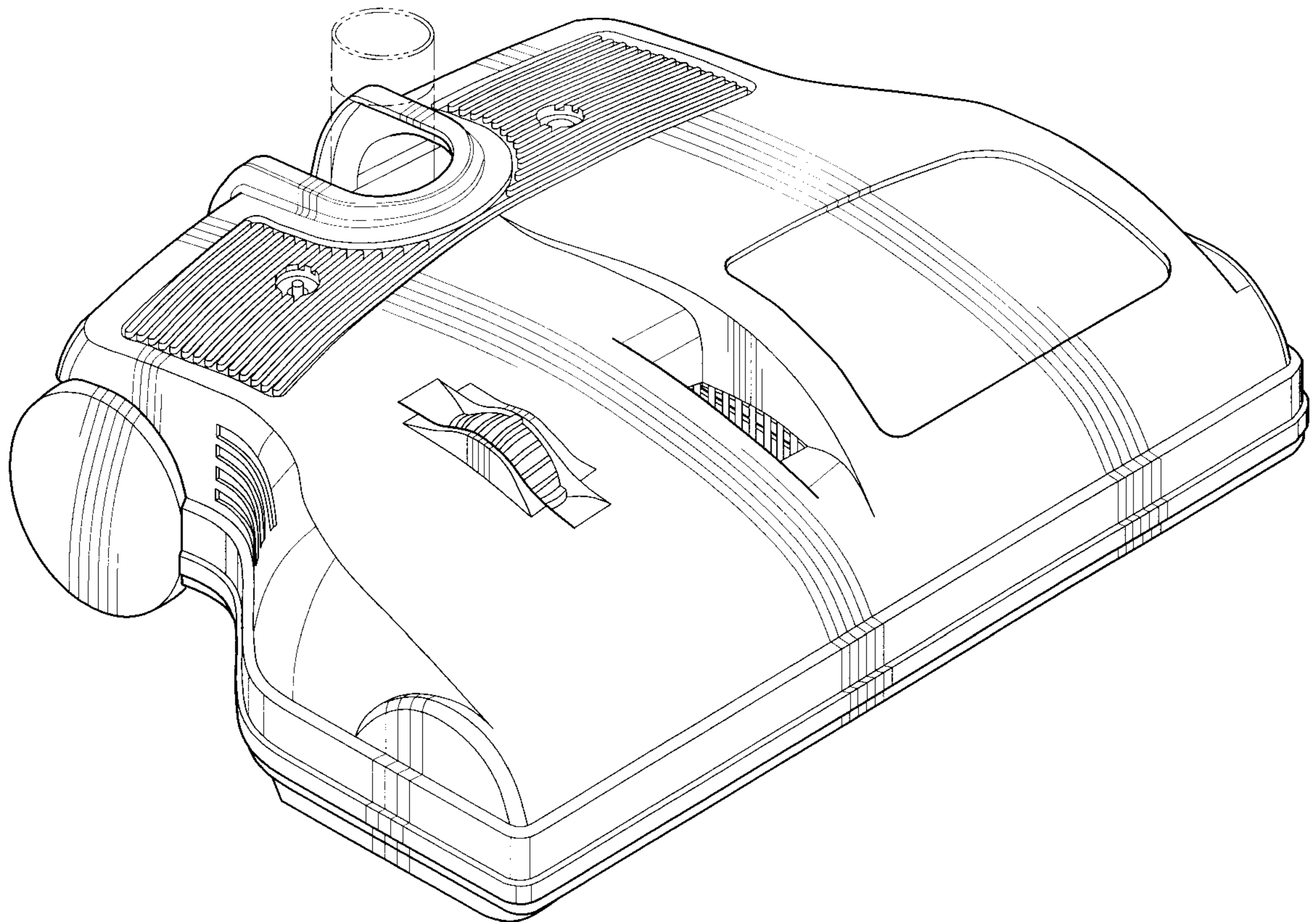
[57] **CLAIM**

The ornamental vacuum cleaner nozzle, as shown and described.

**DESCRIPTION**

FIG. 1 is a perspective view of a vacuum cleaner nozzle showing our new design;  
FIG. 2 is a top elevational view thereof;  
FIG. 3 is a front elevational view thereof;  
FIG. 4 is a rear elevational view thereof;  
FIG. 5 is a side elevational view thereof; and,  
FIG. 6 is a side elevational view of the opposite side of FIG. 5.  
The detail shown in broken lines in FIG. 1 is for illustrative purposes only and forms no part of the claimed design.

**1 Claim, 4 Drawing Sheets**



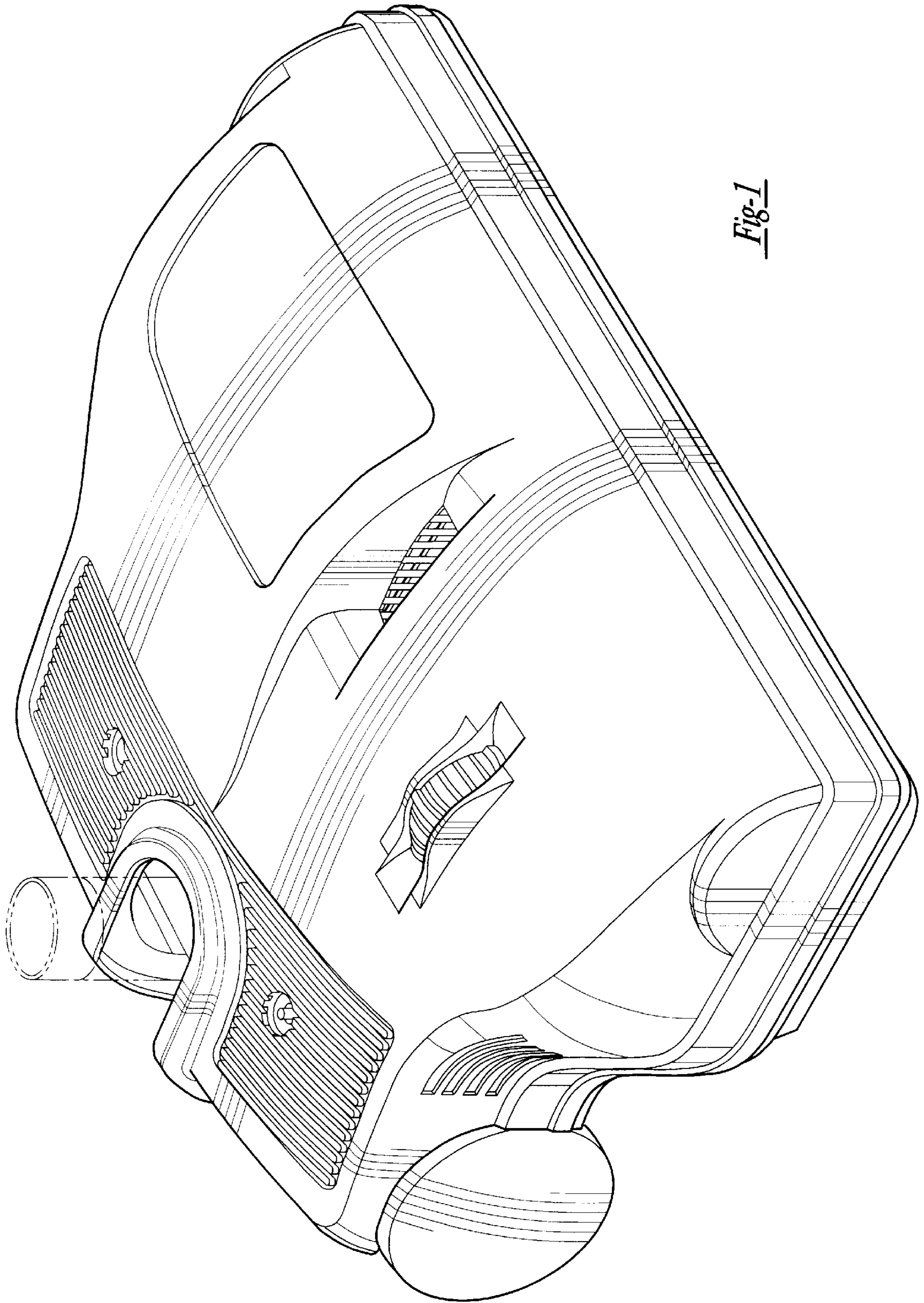
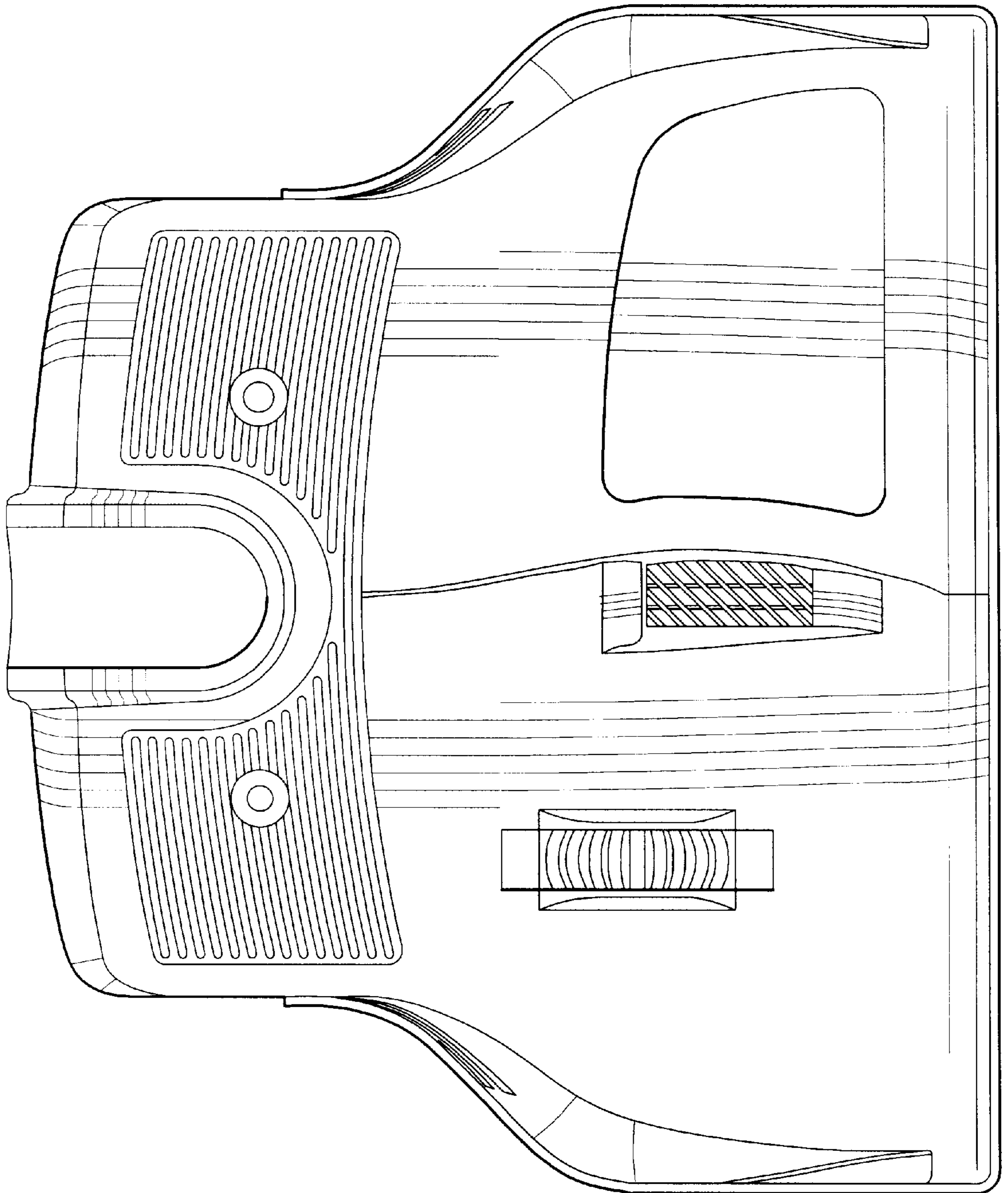


Fig-1

Fig-2



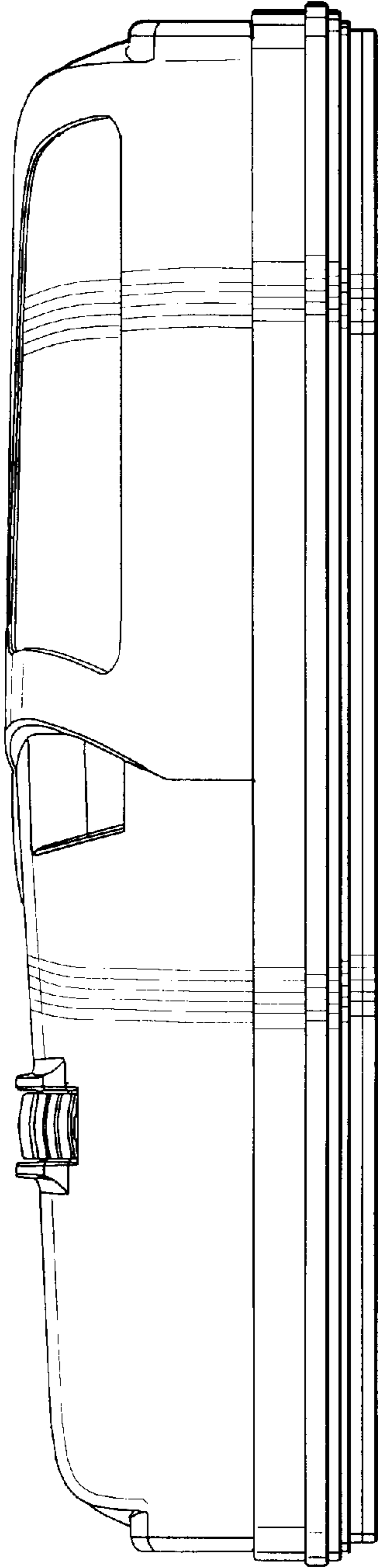


Fig-3

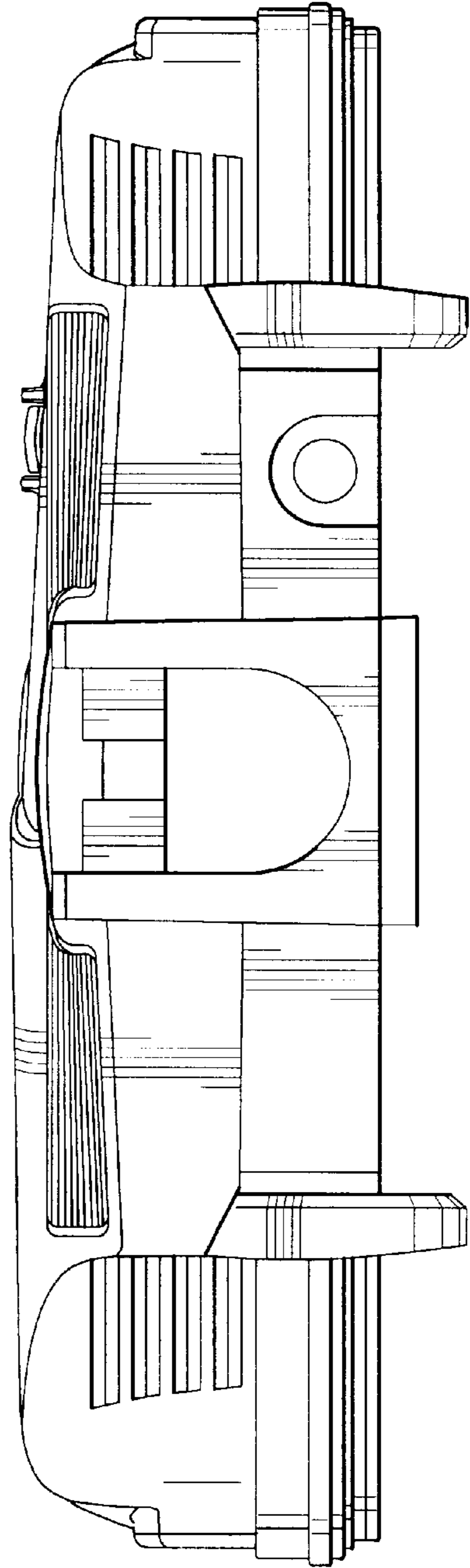


Fig-4

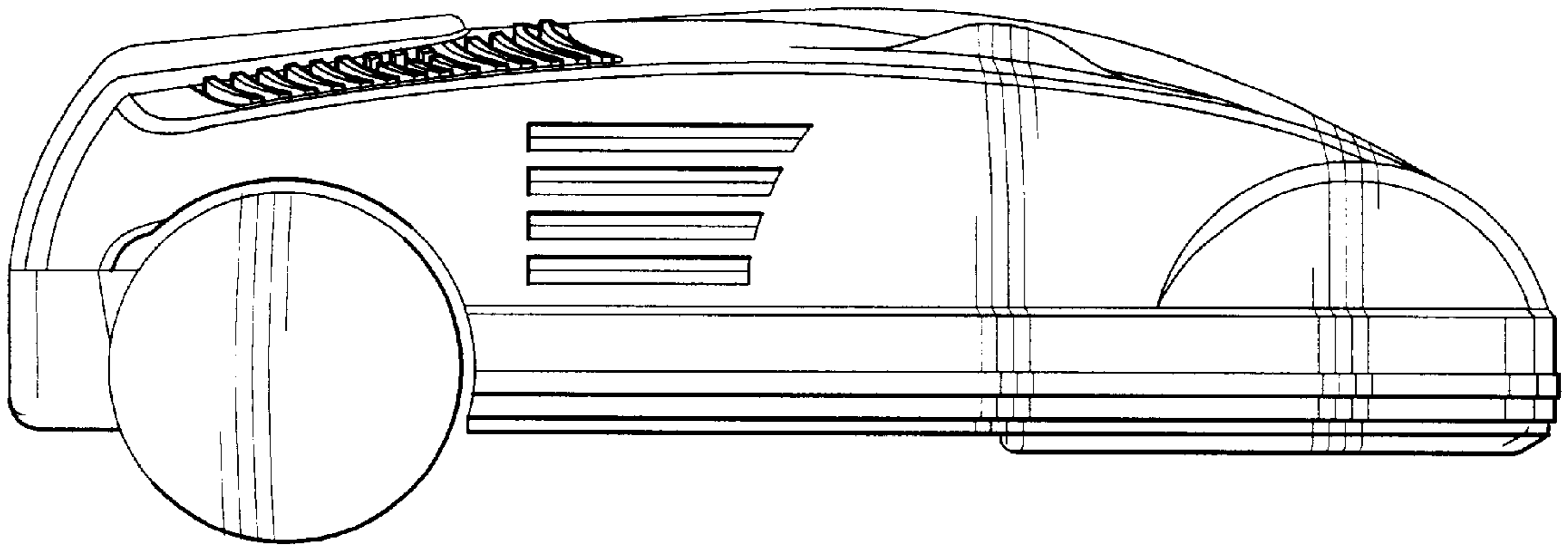


Fig-5

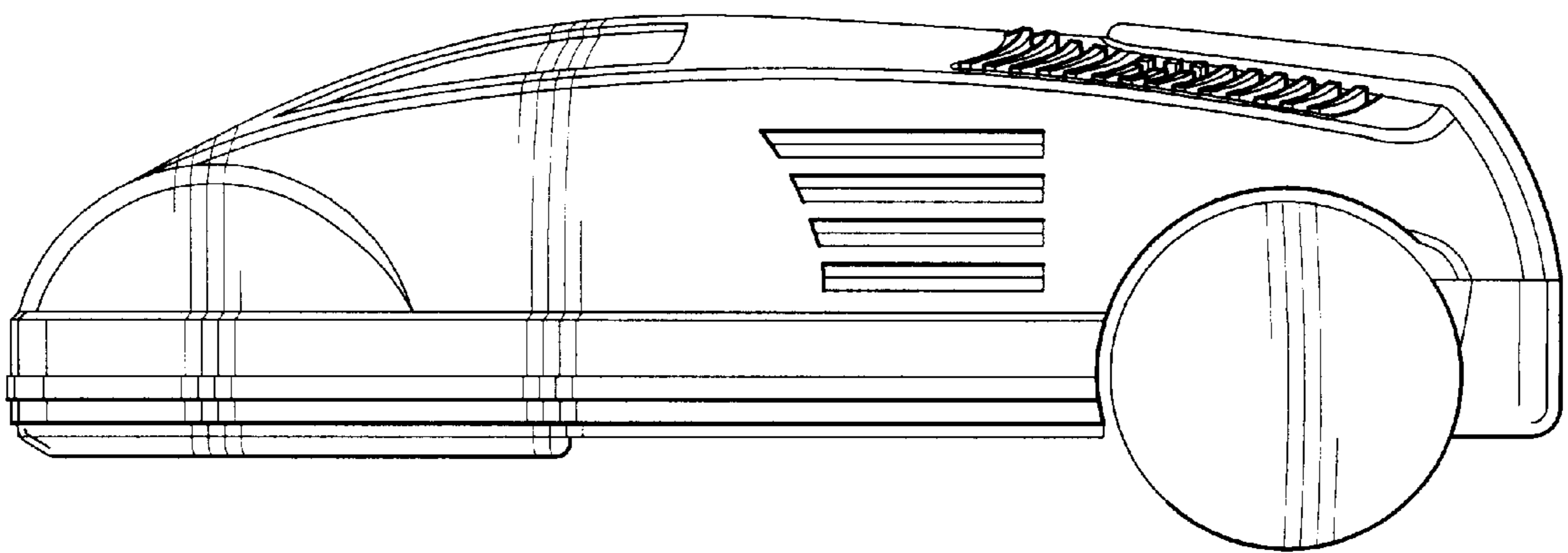


Fig-6