



US00D416114S

United States Patent [19] Mehaffey

[11] Patent Number: **Des. 416,114**

[45] Date of Patent: **** Nov. 2, 1999**

[54] UPRIGHT VACUUM CLEANER

[75] Inventor: **David E. Mehaffey**, Danville, Ky.

[73] Assignee: **Matsushita Home Appliance Corporation of America**, Danville, Ky.

[**] Term: **14 Years**

[21] Appl. No.: **29/082,016**

[22] Filed: **Jan. 12, 1998**

[51] LOC (6) Cl. **15-05**

[52] U.S. Cl. **D32/22**

[58] Field of Search D32/17, 18, 21-22,
D32/31-34; 15/320-323, 329, 335, 344,
347, 350-351, 352, 361, 410, 412

[56] **References Cited**

U.S. PATENT DOCUMENTS

- D. 325,658 4/1992 Brewin D32/22
- D. 358,913 5/1995 Sugiyama et al. D32/22
- D. 398,094 9/1998 Sato et al. D32/22

- D. 398,095 9/1998 Sato et al. D32/22
- D. 403,479 12/1998 Diebel D32/22

Primary Examiner—Ruth McInroy
Attorney, Agent, or Firm—King and Schickli

[57] **CLAIM**

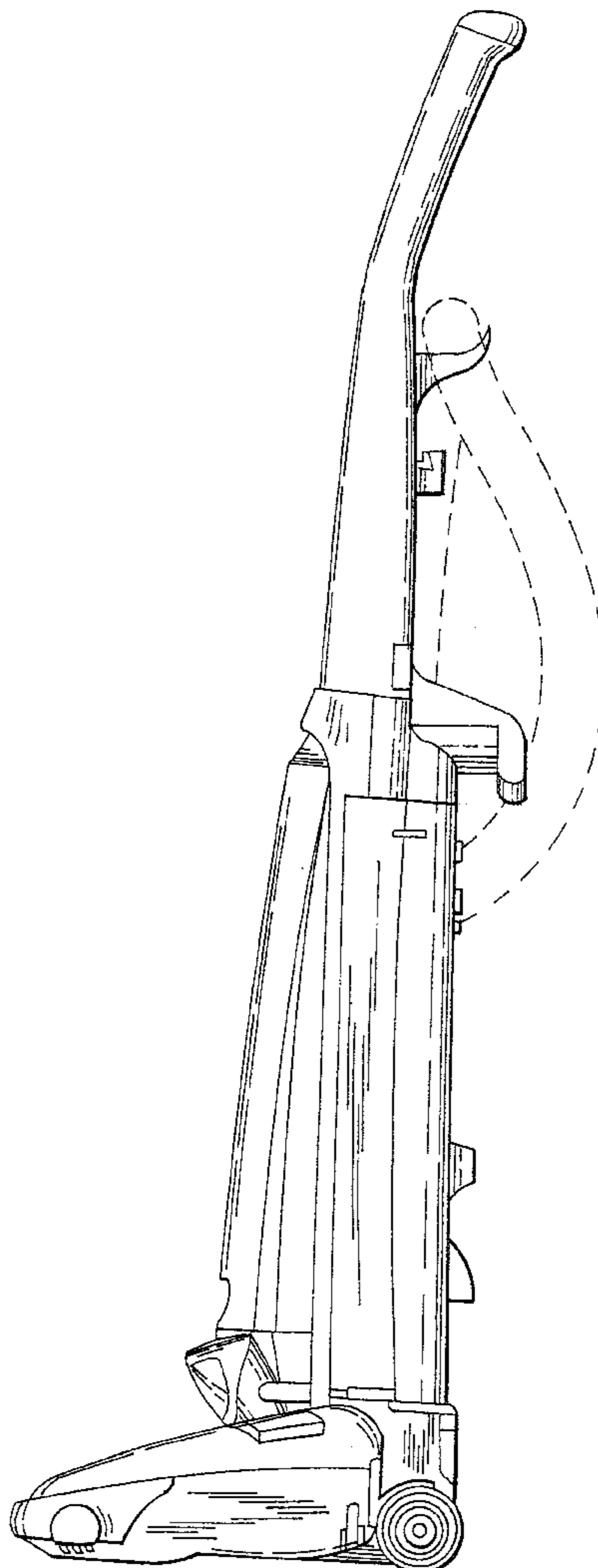
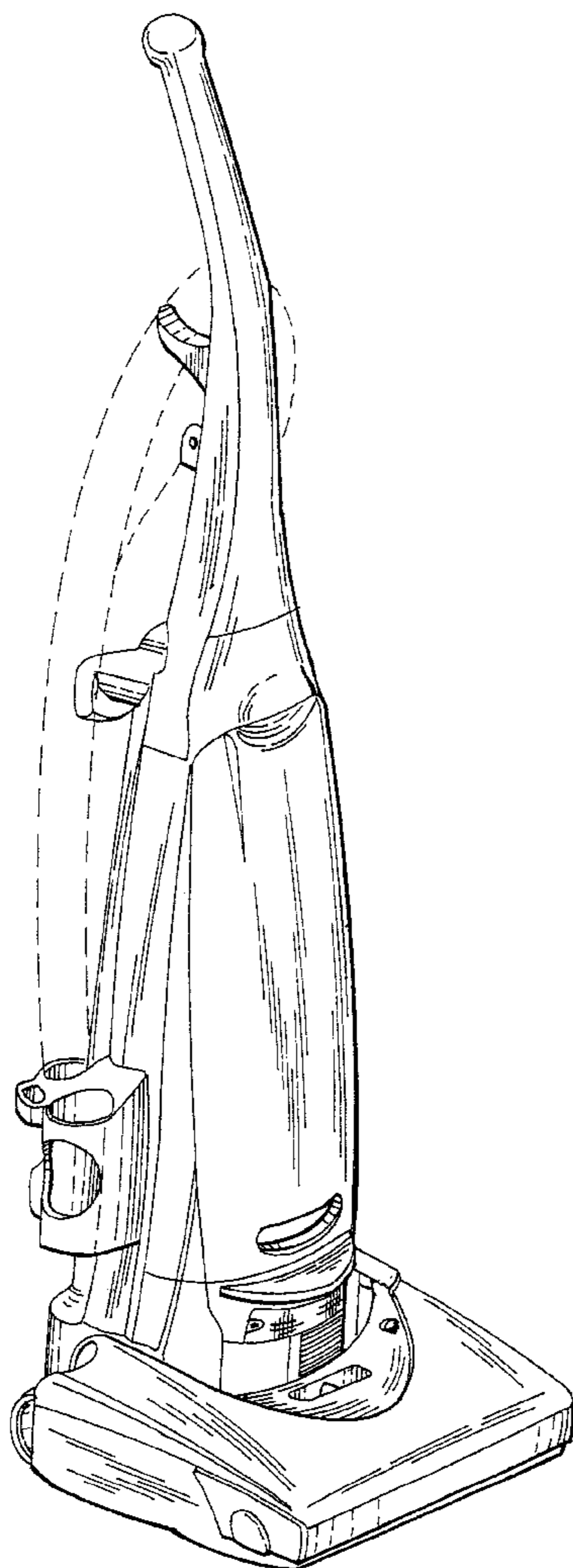
The ornamental design of an upright vacuum cleaner, as shown and described.

DESCRIPTION

FIG. 1 is a perspective view of an upright vacuum cleaner showing my new design;
FIG. 2 is a left side elevational view thereof;
FIG. 3 is a front elevational view thereof;
FIG. 4 is a right side elevational view thereof;
FIG. 5 is a rear elevational view thereof;
FIG. 6 is a top plan view thereof.

The hose shown in broken lines in the drawing figures is shown for illustrative purposes only and forms no part of the claimed design.

1 Claim, 3 Drawing Sheets



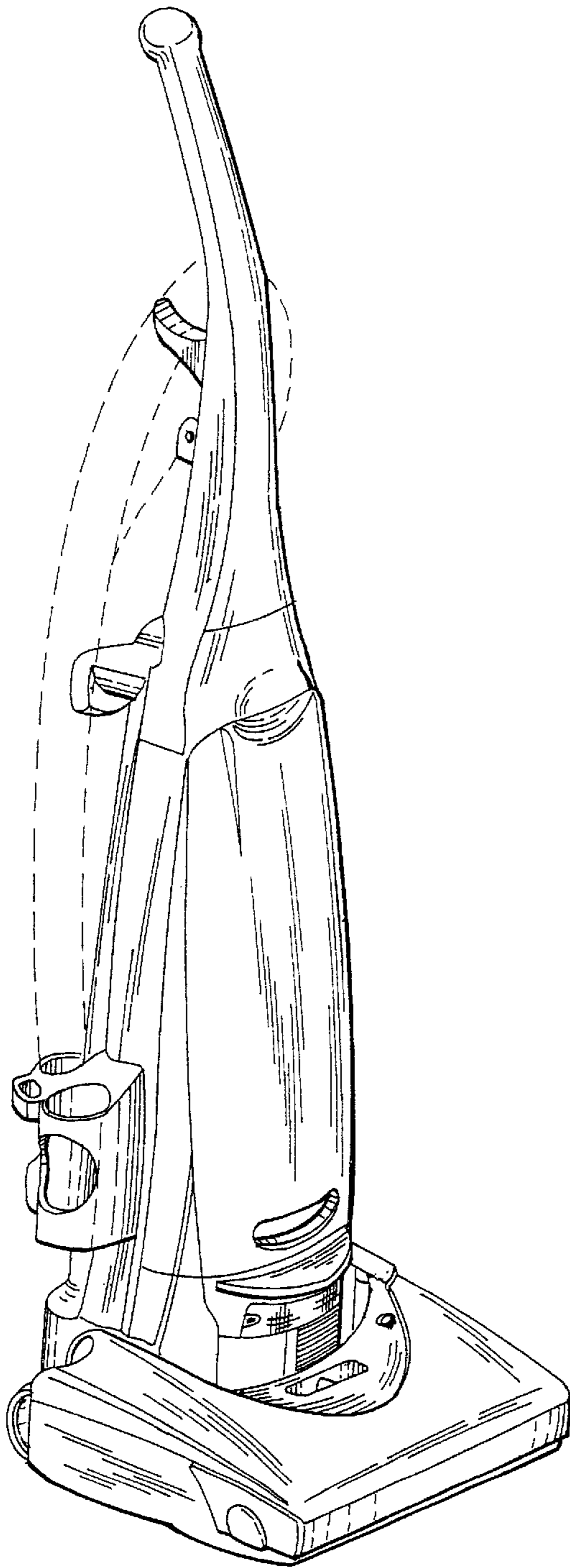


Fig 1

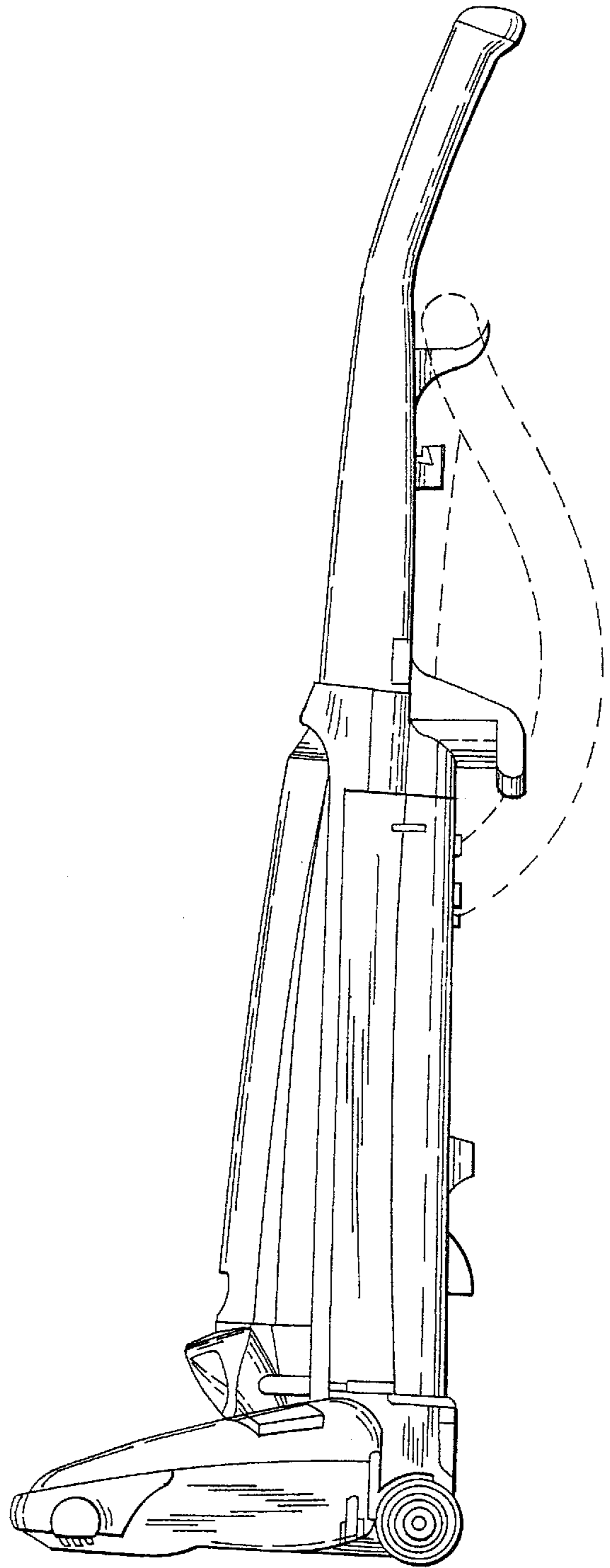


Fig 2

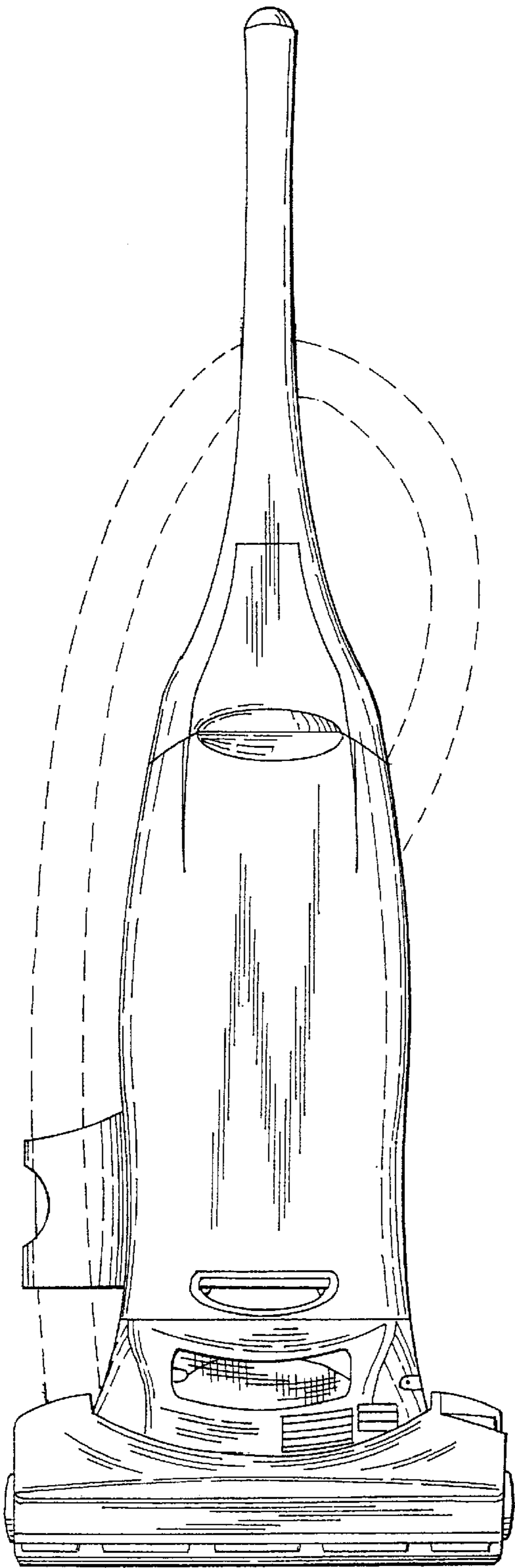


Fig. 3

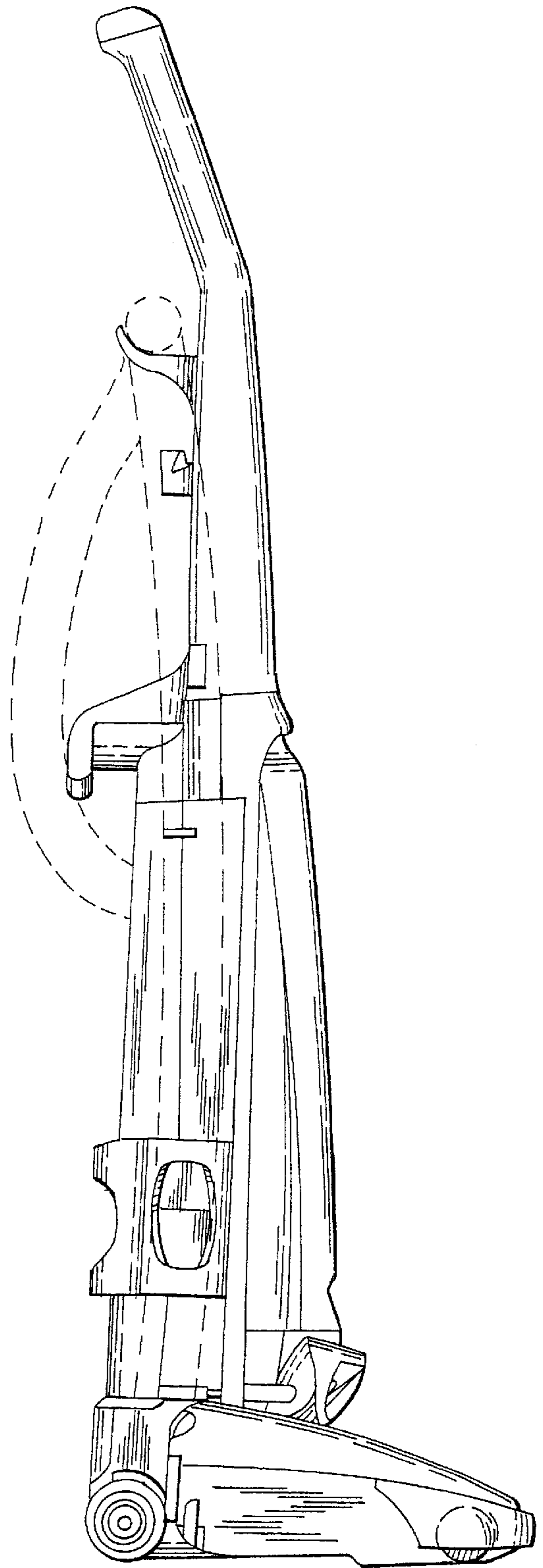


Fig. 2

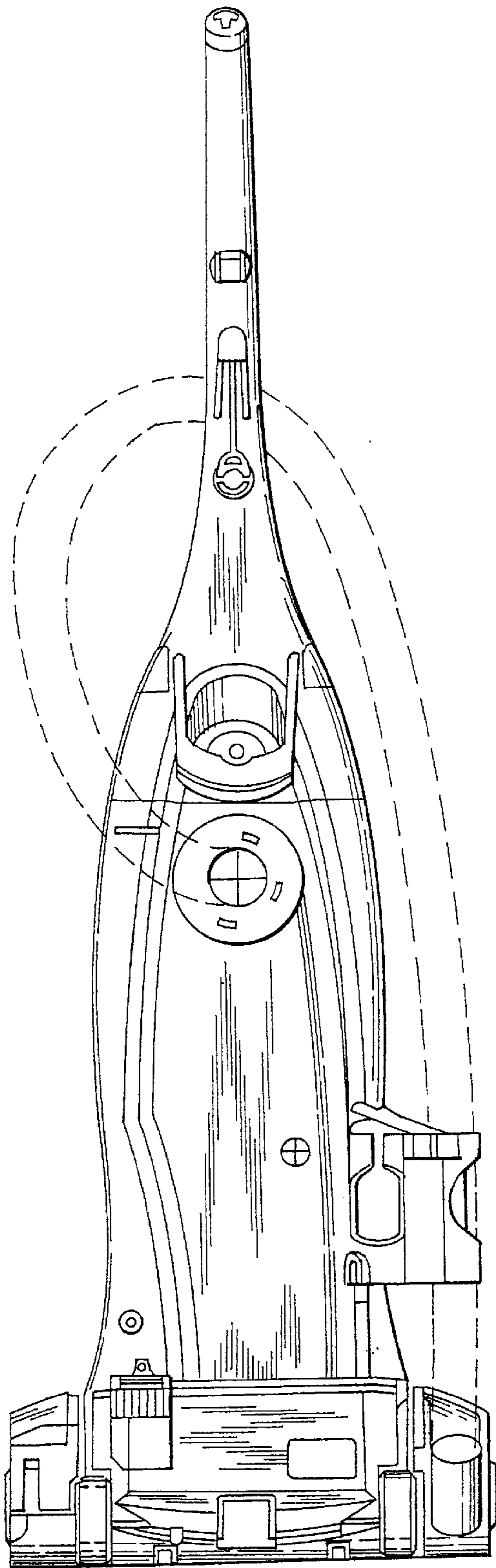


Fig. 5

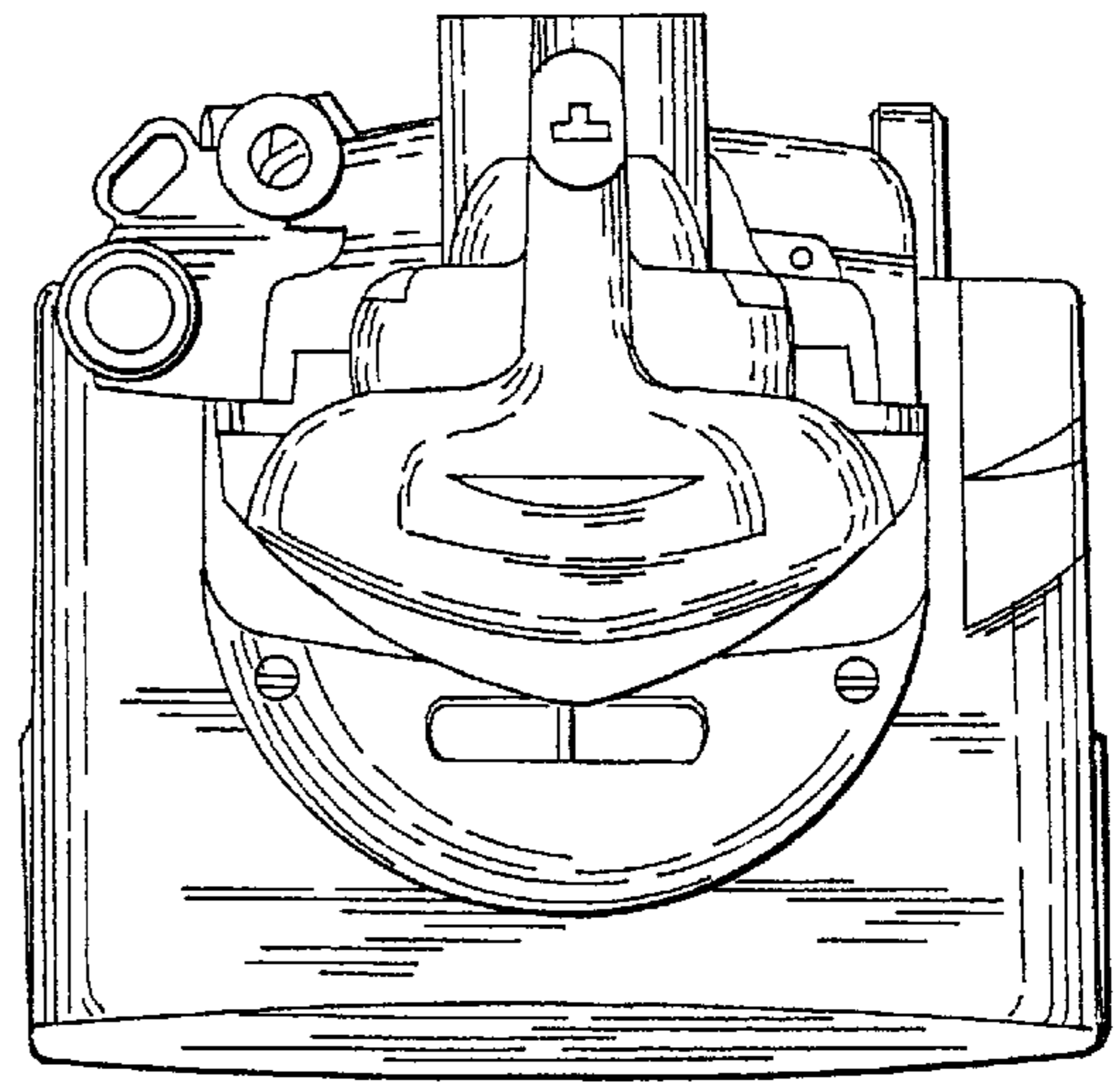


Fig. 6