



US00D416112S

United States Patent [19]

[11] Patent Number: Des. 416,112

Holliday et al.

[45] Date of Patent: ** Nov. 2, 1999

[54] **HAND-HELD APPLICATOR FOR APPLYING A CLEANING OR POLISHING SOLUTION TO A SURFACE**

[75] Inventors: **Brian Holliday**, Danbury; **Paul Metaxatos**, Collinsville; **David Mathieu**, Middletown, all of Conn.

[73] Assignee: **Prestone Products Corporation**, Danbury, Conn.

[**] Term: **14 Years**

[21] Appl. No.: **29/084,609**

[22] Filed: **Mar. 6, 1998**

[51] **LOC (6) Cl.** **15-05**

[52] **U.S. Cl.** **D32/19; D8/62**

[58] **Field of Search** D8/62; D32/1, D32/17, 19, 14.1, 15, 25; D4/137; 15/4, 52.1, 53.2, 97.3, 50.3

[56] References Cited

U.S. PATENT DOCUMENTS

233,238	10/1880	Halbert .	
D. 249,928	10/1978	De Nijs .	
D. 264,797	6/1982	Burglin et al.	D8/62
D. 283,590	4/1986	Ibaraki	D8/62
D. 312,714	12/1990	Simonelli et al.	D32/19
D. 313,094	12/1990	Itaya et al.	D32/19
D. 322,734	12/1991	Solomon	D7/322
D. 339,918	10/1993	Chamberlain .	
D. 345,089	3/1994	Kikuchi et al.	D8/62
D. 349,789	8/1994	Bunyea	D32/19
D. 379,749	6/1997	Gildersleeve et al.	D8/67
D. 380,950	7/1997	Gildersleeve et al.	D8/62
D. 386,376	11/1997	Kaneko et al.	D8/62
D. 392,861	3/1998	Gildersleeve et al.	D8/62
595,910	12/1897	Fili, Jr. .	
1,208,623	12/1916	Nakashima .	
2,204,200	6/1940	Wisner .	
2,886,916	5/1959	Rossi .	
3,256,894	6/1966	Sherman .	
4,077,083	3/1978	Siemund et al. .	
4,077,725	3/1978	Slautterback .	
4,085,475	4/1978	Silver .	
4,315,342	2/1982	Ash .	
4,325,499	4/1982	Shay .	

4,351,081	9/1982	Tarkinson .
4,381,766	5/1983	Avolio .
4,390,324	6/1983	Karliner .
4,486,109	12/1984	Rosofsky .
4,507,004	3/1985	Moffitt, Jr. .
4,543,680	10/1985	Vlahos .
4,546,903	10/1985	Burch .
4,674,903	6/1987	Chen .
4,738,887	4/1988	Govertsen .
4,750,233	6/1988	Swaiin .
4,811,445	3/1989	Lagieski et al. .
4,896,799	1/1990	Giuffredi .
4,955,747	9/1990	Tarver .
4,966,481	10/1990	Satten et al. .
4,970,750	11/1990	Davis, III .
4,993,859	2/1991	Assad et al. .
5,003,659	4/1991	Paepke .
5,020,694	6/1991	Pettengill .
5,020,930	6/1991	Kuhn .
5,031,448	7/1991	Saito .
5,038,963	8/1991	Pettengill et al. .
5,073,057	12/1991	Lathrop et al. .
5,099,541	3/1992	Tressler .
5,289,949	3/1994	Gentile .
5,335,827	8/1994	Gentile .
5,387,290	2/1995	Kolinsky .
5,397,194	3/1995	Yuan et al. .
5,454,656	10/1995	Rowe .
5,454,660	10/1995	Sakurai et al. .
5,645,193	7/1997	Gentile et al. .

Primary Examiner—Ruth McInroy
Attorney, Agent, or Firm—Frommer Lawrence & Haug LLP

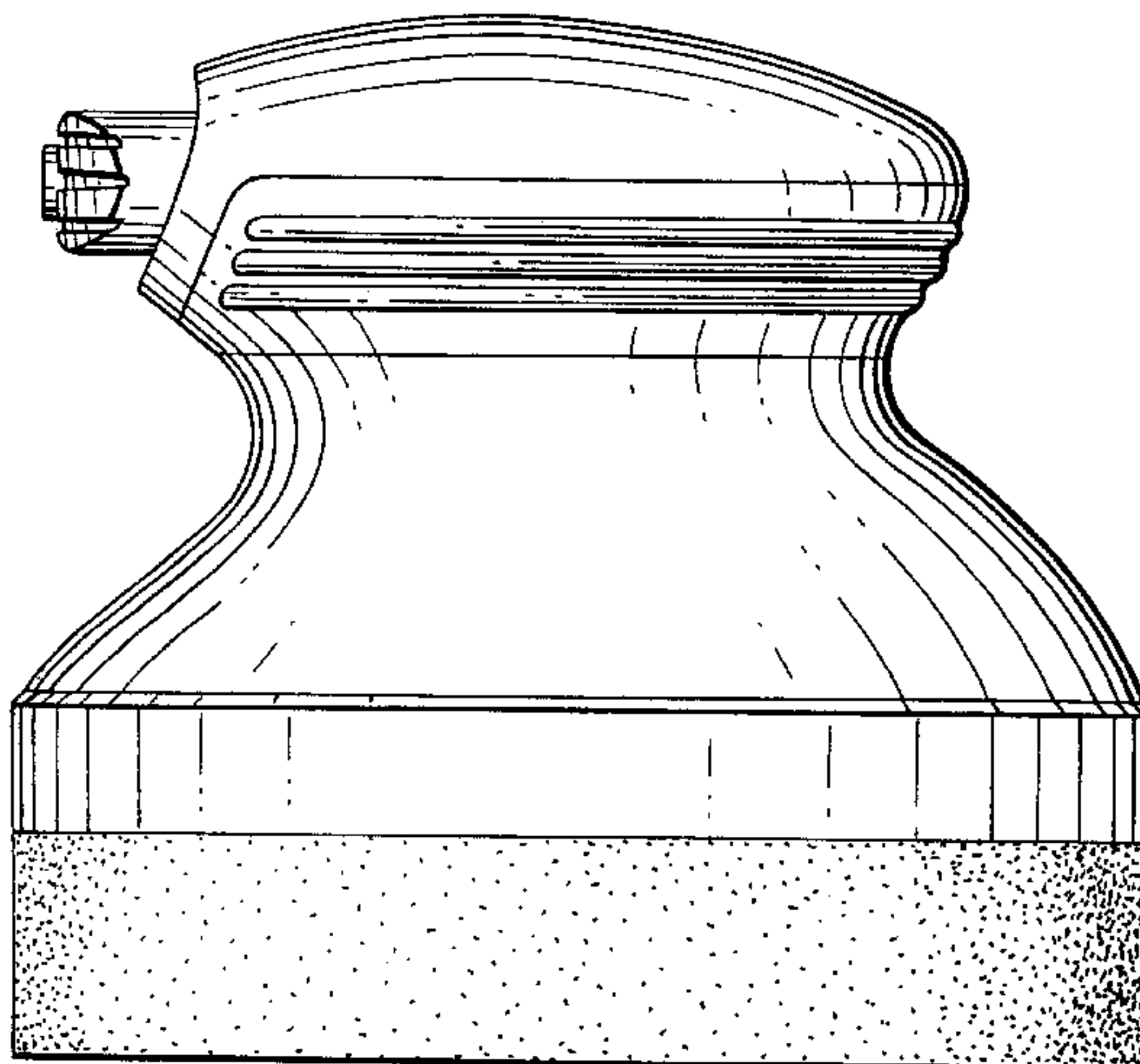
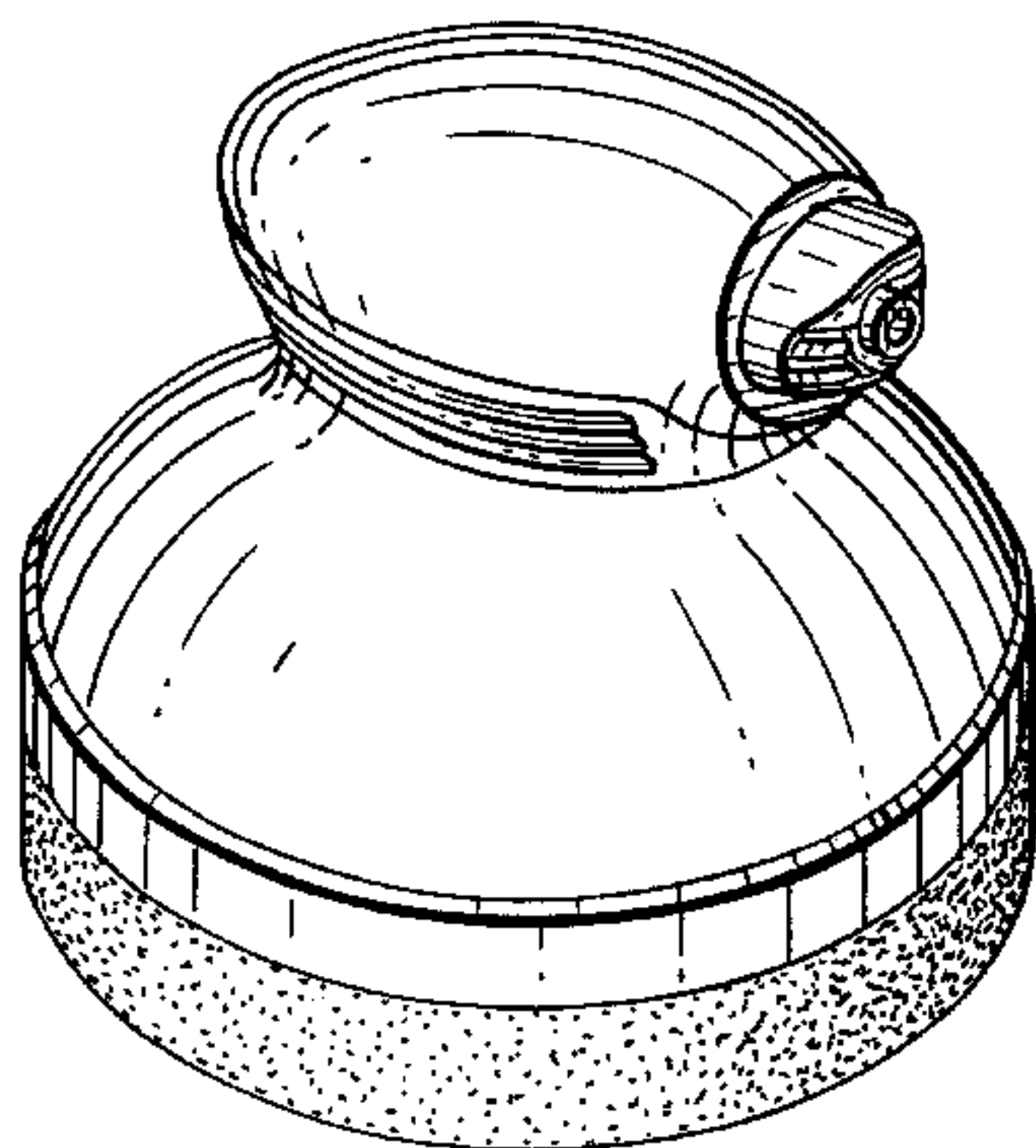
[57] CLAIM

The ornamental design for a hand-held applicator for applying a cleaning or polishing solution to a surface, as shown and described.

DESCRIPTION

FIG. 1 is a front perspective view of one embodiment of a hand-held applicator for applying a cleaning or polishing solution to a surface showing our new design; FIG. 2 is a top plan view thereof; FIG. 3 is a side elevational view thereof; FIG. 4 is a rear elevational view thereof; FIG. 5 is a side elevation view thereof; and, FIG. 6 is a bottom plan view thereof.

1 Claim, 3 Drawing Sheets



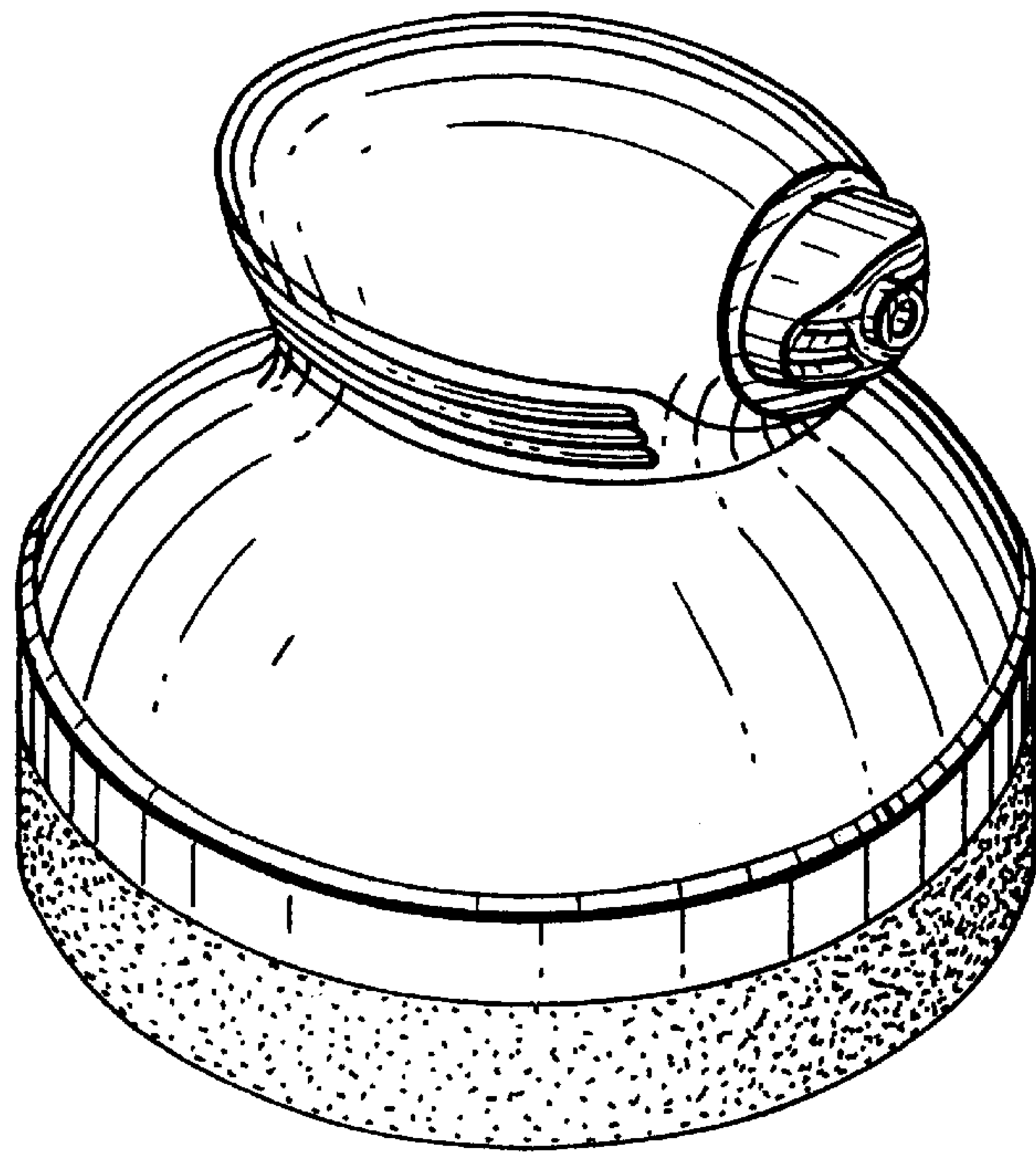


FIG. 1

FIG. 2

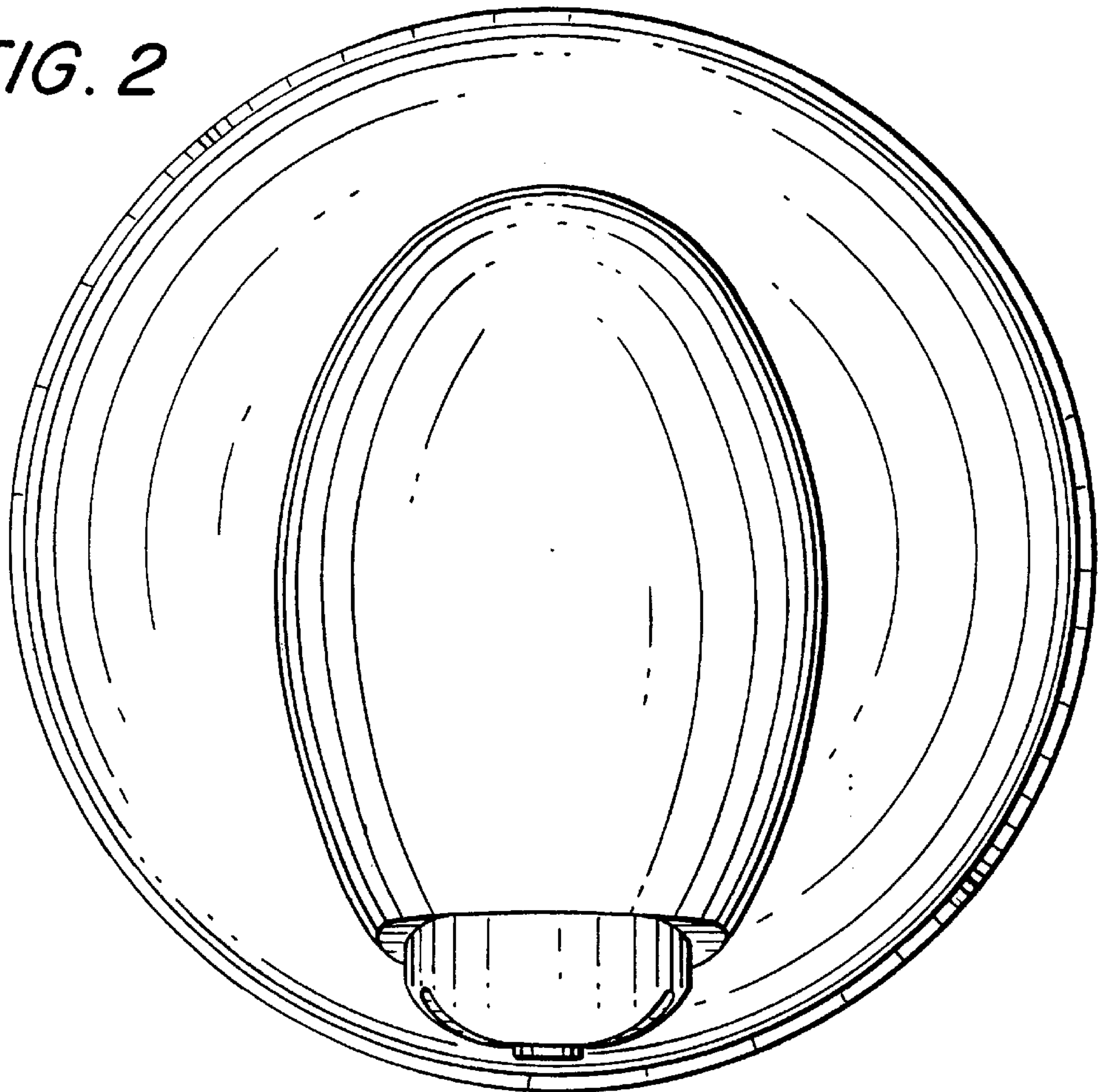


FIG. 3

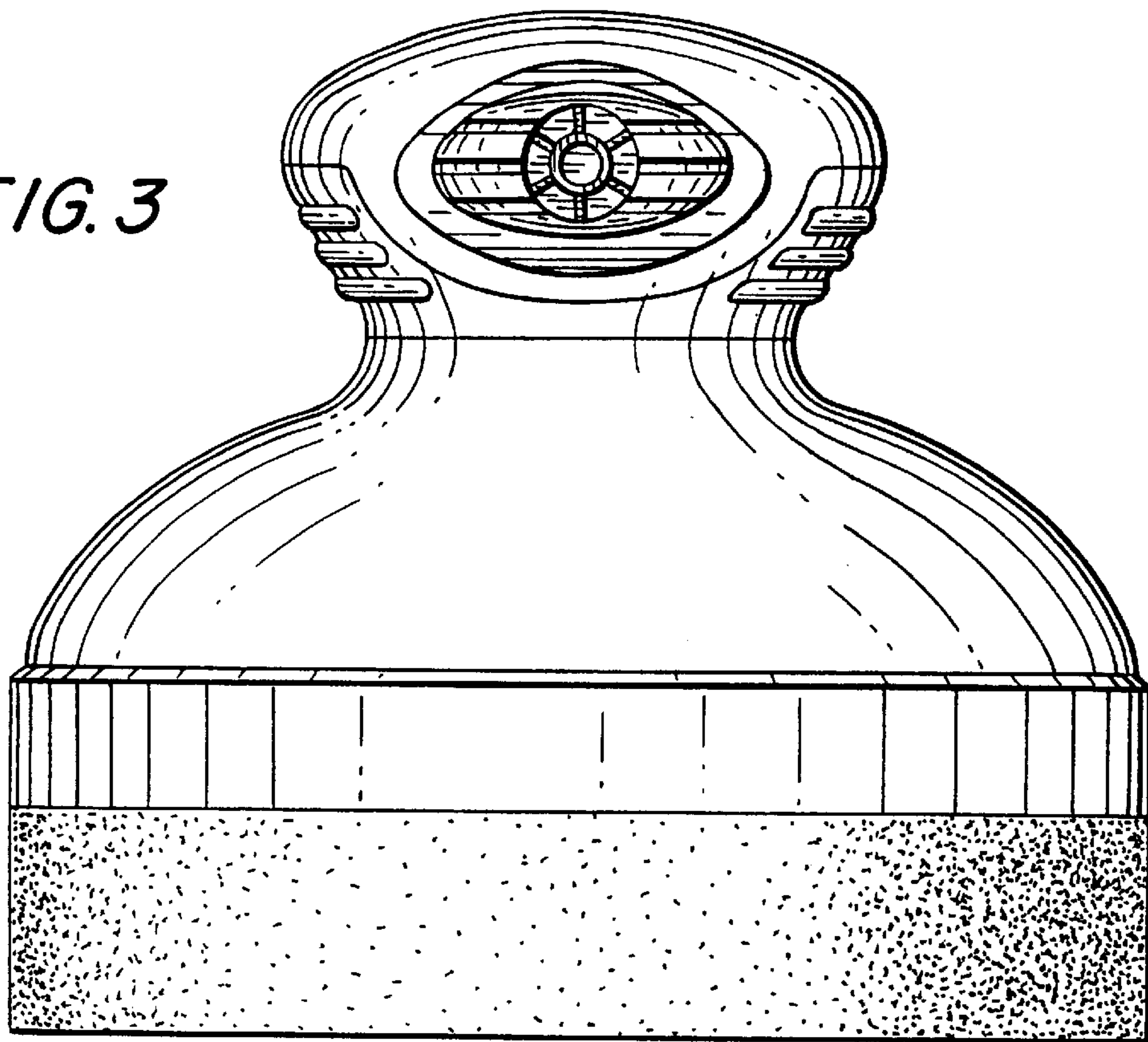


FIG. 4

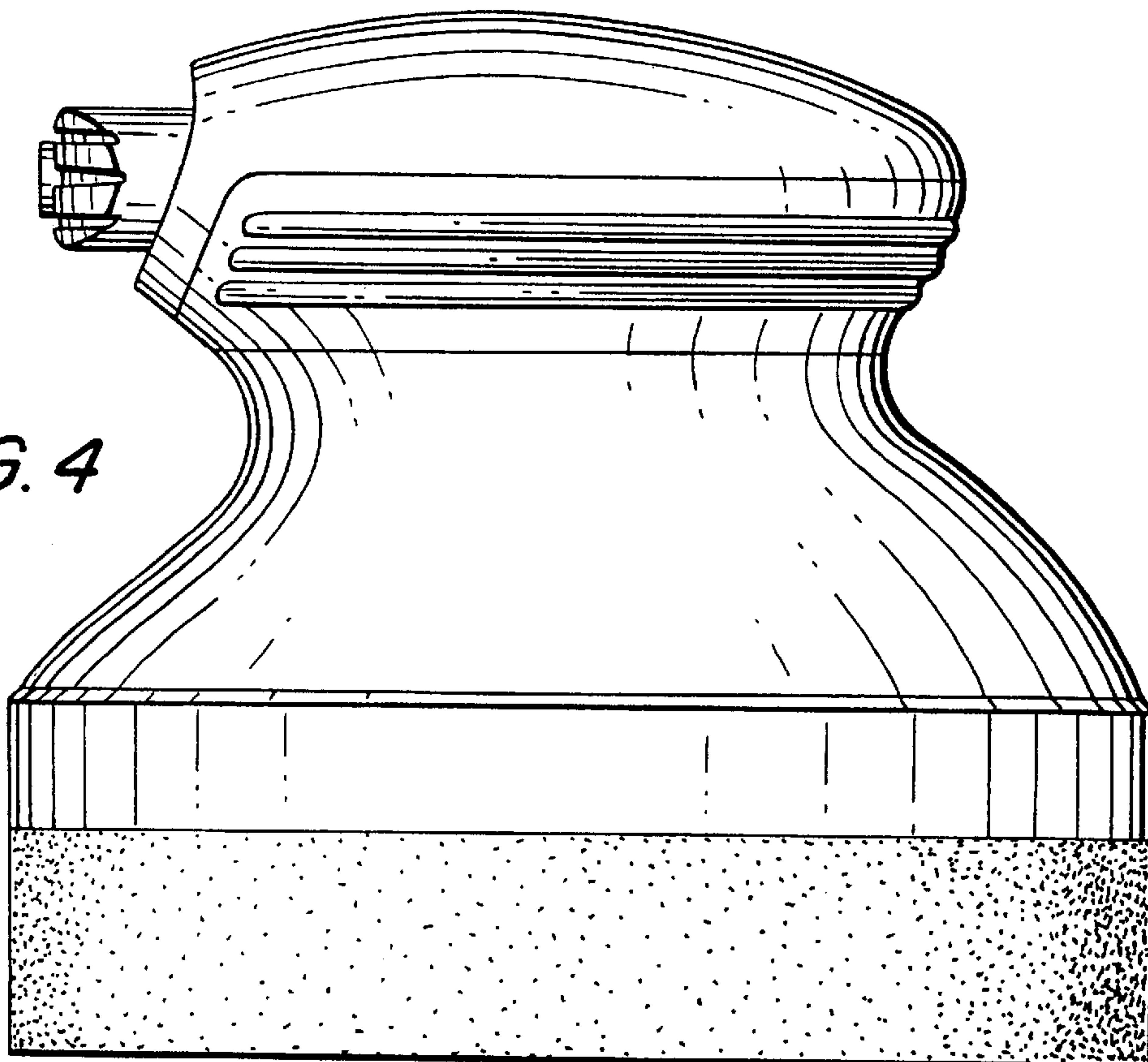


FIG. 5

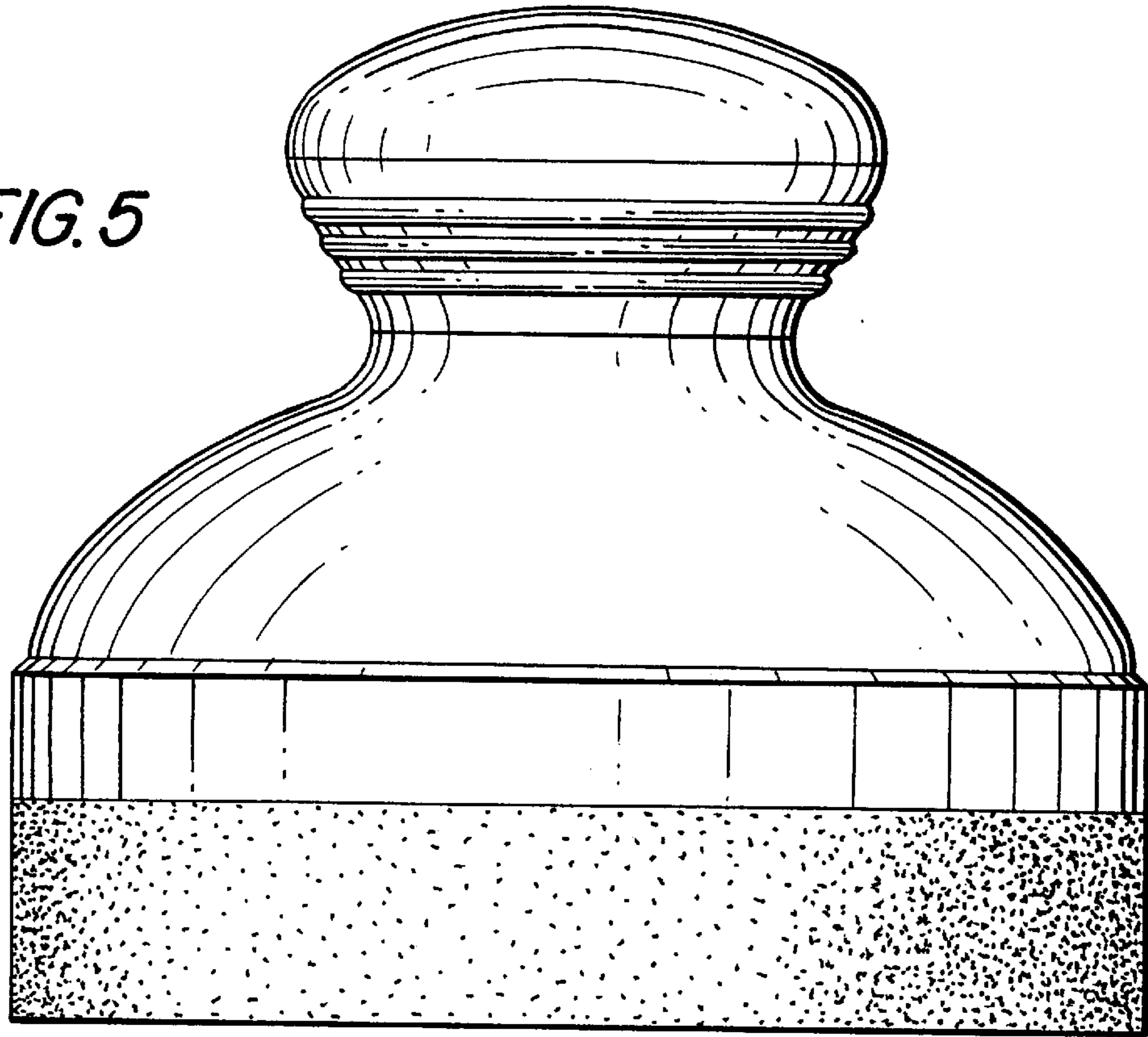


FIG. 6

