



US00D416107S

United States Patent [19] Freeman

[11] **Patent Number: Des. 416,107**

[45] **Date of Patent: ** Nov. 2, 1999**

[54] **BIRD SOAP**

[75] Inventor: **Faith Freeman**, Huntington Beach, Calif.

[73] Assignee: **In A Lather, Inc.**, Garden Grove, Calif.

[**] Term: **14 Years**

[21] Appl. No.: **29/097,602**

[22] Filed: **Dec. 10, 1998**

[51] **LOC (6) Cl. 28-02**

[52] **U.S. Cl. D28/8.2**

[58] **Field of Search** D28/8.1, 8.2; D11/131, D11/134, 158, 137, 162; D19/97; D20/30; 40/635, 661, 800; 428/13; 510/137-149, 483

Hong Kong Enterprise Oct. 1997, p. 126—third soap from left in third row from top.

“Berry Buttons”, ©1997; “Facets of the Sea”, ©1996; “Flower Power”, ©1996; “Gardenia”, ©1996; “Green Tea”, ©1997; “Lavender Oatmeal”, ©1995; “Orange Canteloupe”, ©1996; “Peppermint”, ©1996; “Rain Scent”, ©1995; “Stained Glass”, ©1997; “Tahitian Vanilla”, ©1997; “Virtual Blue”, ©1997; and “Fruitti Tutti”, ©1996.

Primary Examiner—Ted Shooman

Assistant Examiner—C Tuttle

Attorney, Agent, or Firm—Stetina Brunda Garred & Brucker

[57] CLAIM

The ornamental design for a bird soap, as shown and described.

[56] References Cited

U.S. PATENT DOCUMENTS

D. 149,117	3/1948	Funfrock	D19/97
D. 284,114	6/1986	Robson	D24/102
683,181	9/1901	Mereness	510/440
1,827,549	10/1931	Villain	510/143
2,440,205	4/1948	Mc Lain	40/538 X
2,917,856	12/1959	Soloff	D11/157 X
3,108,392	10/1963	Sams	248/690
5,869,437	2/1999	Wolfersberger	510/483 X

OTHER PUBLICATIONS

AVON C6-66, p. 27—soaps with bird motif.

Boy's Life, Sep. 1976, p. 41: plastic cast specimens at top of page.

DESCRIPTION

FIG. 1 is a front perspective view of the bird soap of the present invention showing my new design;

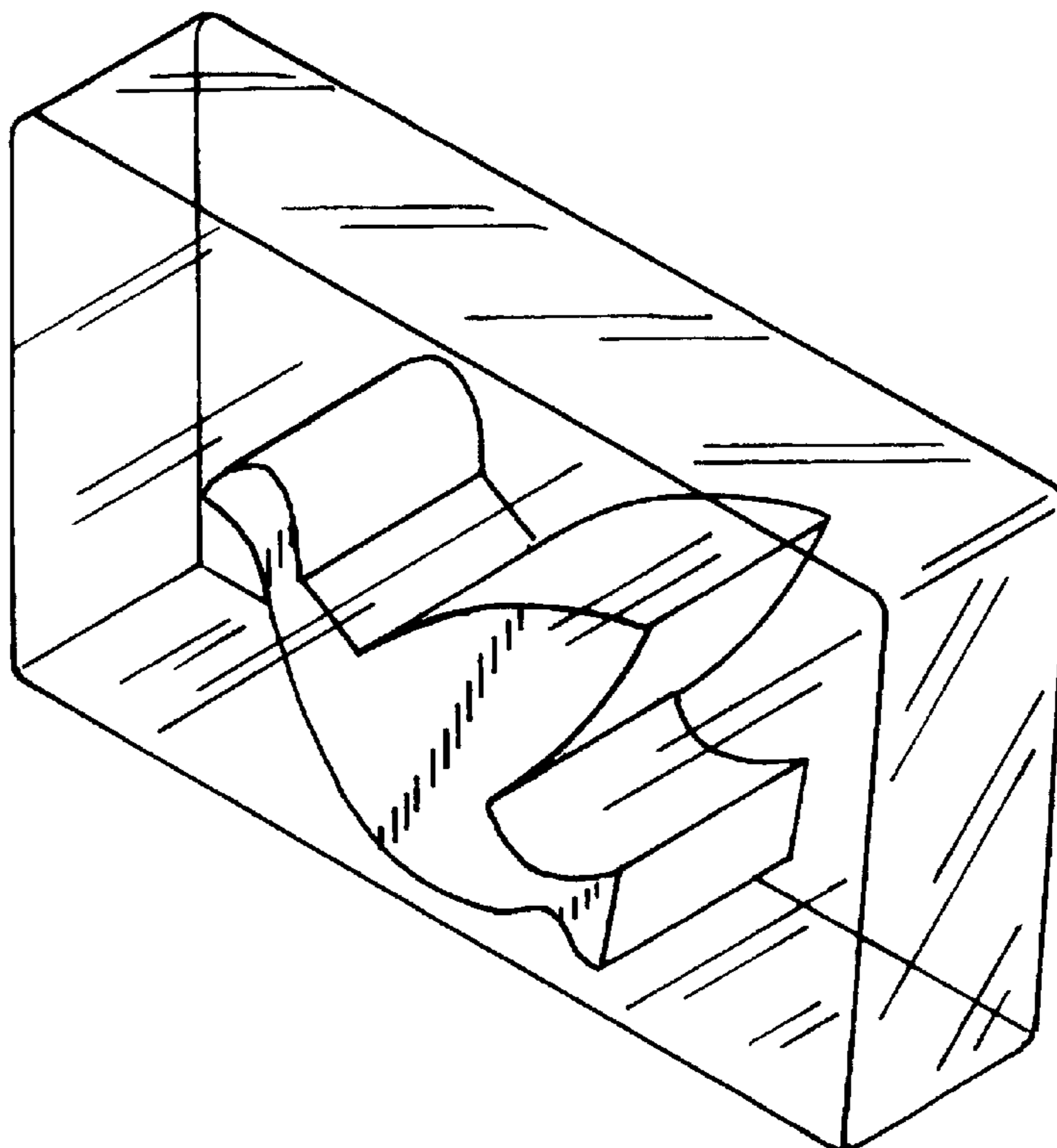
FIG. 2 is a left side elevational view thereof;

FIG. 3 is a front elevational view thereof, the rear view being a mirror image of the front; and,

FIG. 4 is a right side elevational view thereof.

The bottom view follows the configuration and surface appearance of the sides shown.

1 Claim, 1 Drawing Sheet



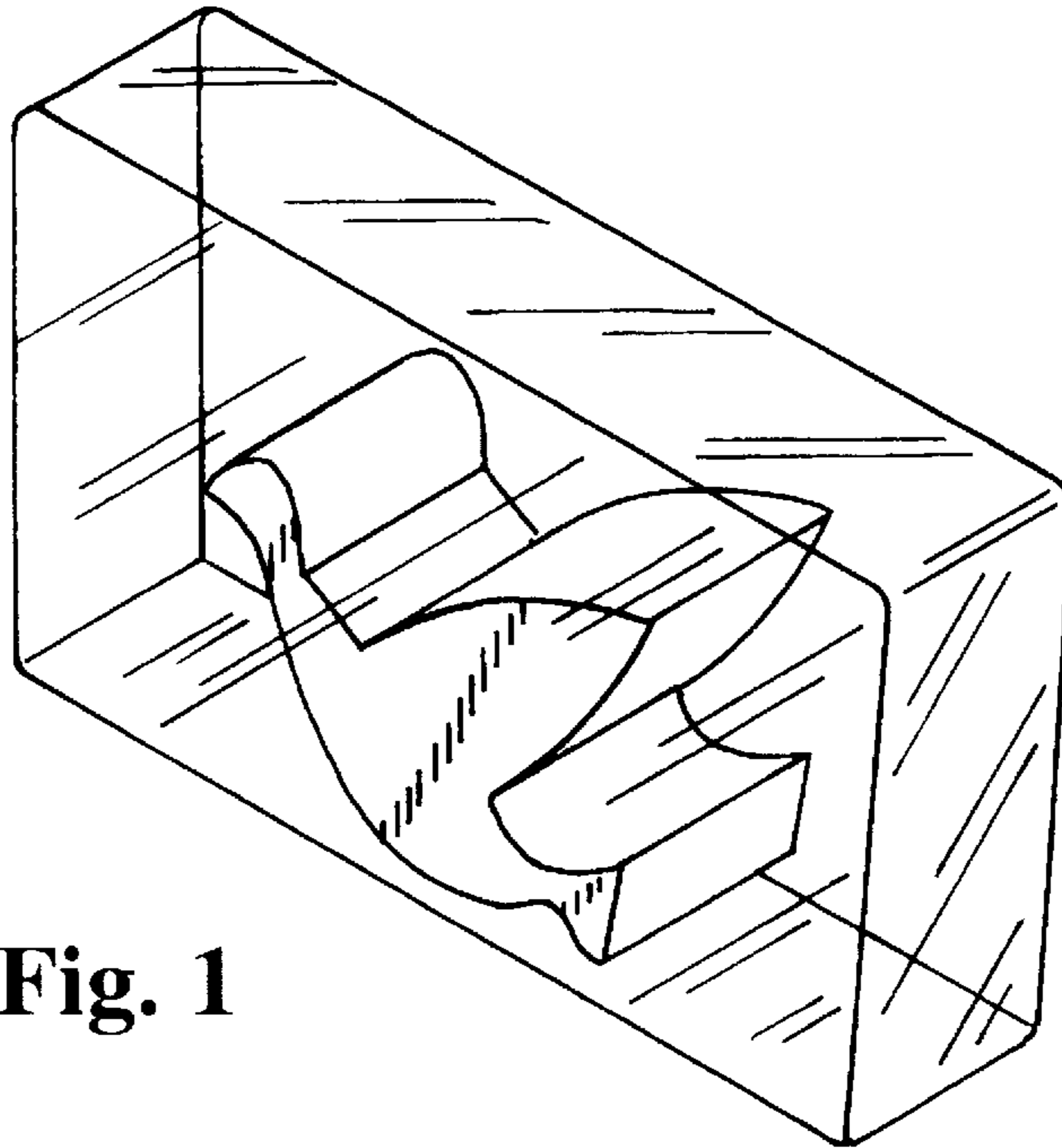


Fig. 1

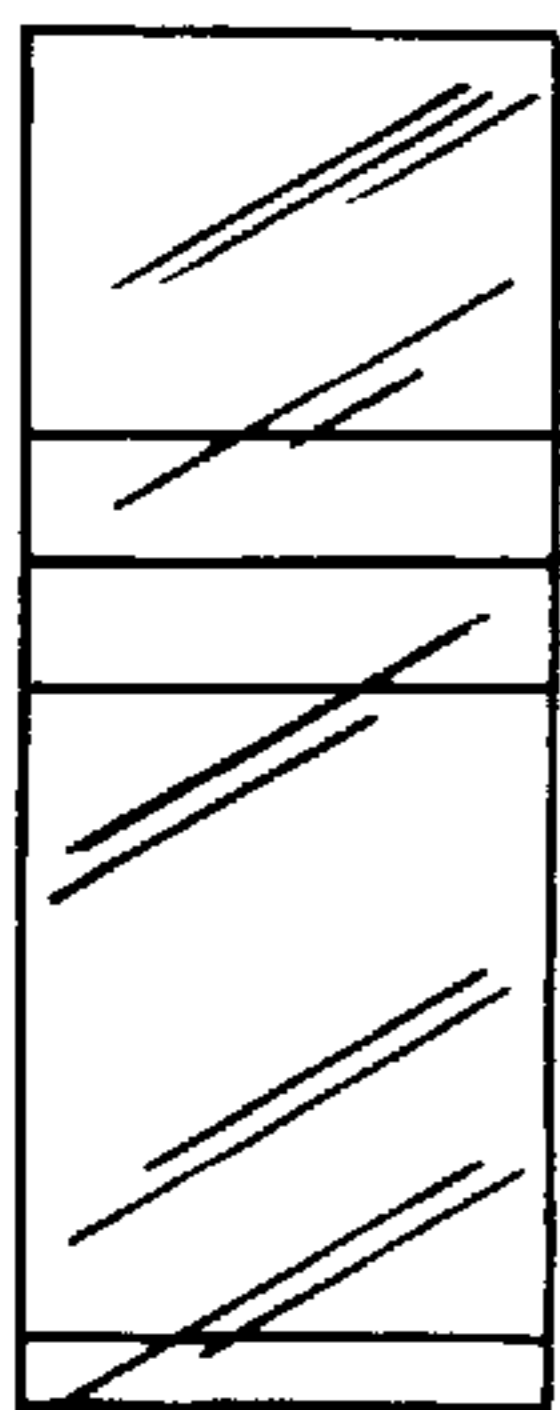


Fig. 2

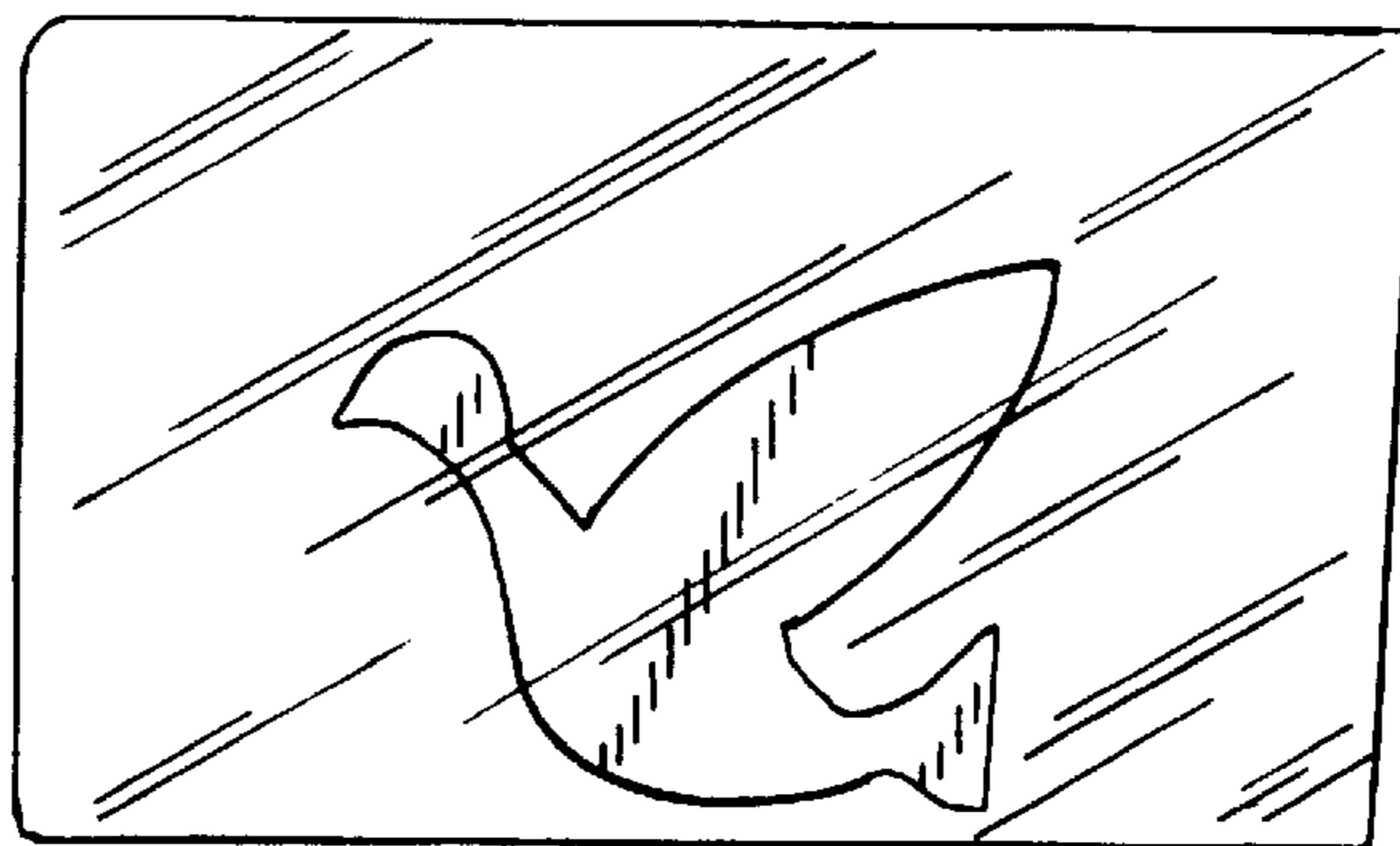


Fig. 3

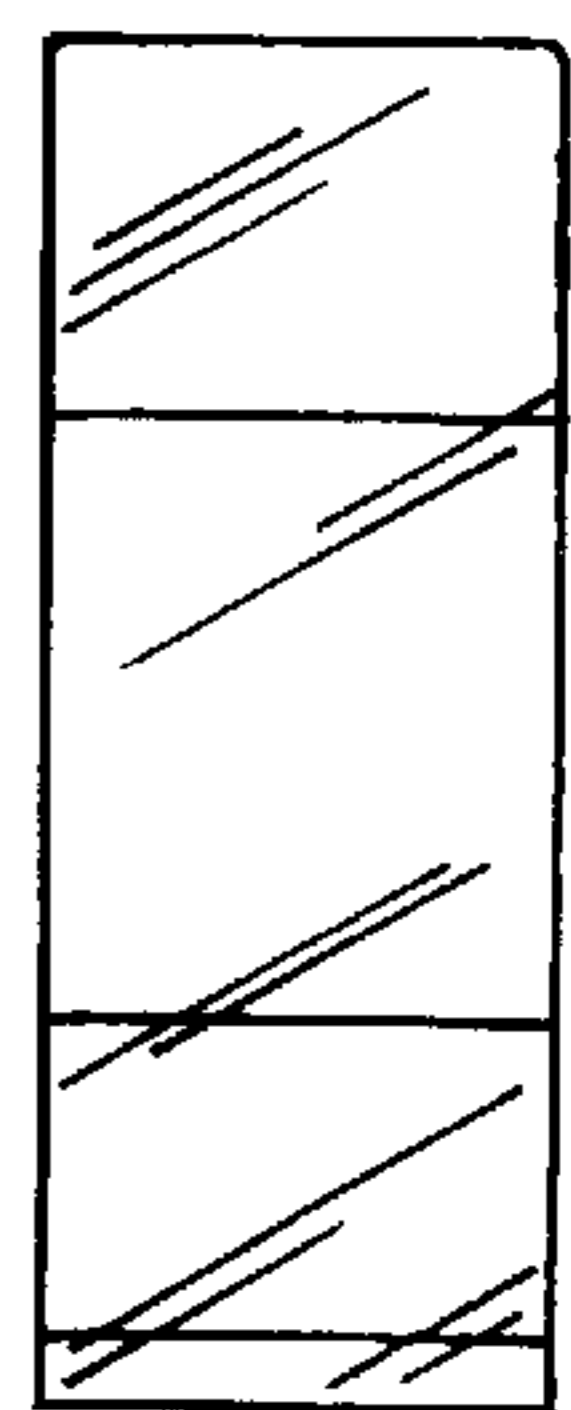


Fig. 4