



US00D416105S

# United States Patent [19]

Garrison et al.

[11] **Patent Number: Des. 416,105**

[45] **Date of Patent: \*\* Nov. 2, 1999**

[54] **CIGAR HUMIDOR**

5,803,247 9/1998 Holmes et al. .... 206/213.1

[76] Inventors: **Jerry Garrison**, 27761 San Pasqual St., Mission Viejo, Calif. 92692; **David R. Kane**, 2537 N. Ontario St., Burbank, Calif. 91504

*Primary Examiner*—Susan J. Lucas  
*Assistant Examiner*—Jennifer Rivard  
*Attorney, Agent, or Firm*—J. E. McTaggart

[\*\*] Term: **14 Years**

[57] **CLAIM**

The ornamental design for a cigar humidor, as shown and described.

[21] Appl. No.: **29/079,846**

[22] Filed: **Nov. 24, 1997**

[51] **LOC (6) Cl.** ..... **27-06**

[52] **U.S. Cl.** ..... **D27/189**

[58] **Field of Search** ..... 312/31, 31.1; 217/61, 217/57; 206/242, 256, 265, 213.1; D9/414, 430, 432; D27/172, 183–192; 229/909

**DESCRIPTION**

FIG. 1 is a perspective view showing our new design of a cigar humidor, showing the cover in a closed position. FIG. 2 is a perspective view of the subject matter of FIG. 1, showing the cover partially opened. FIG. 3 is a perspective view of the subject matter of FIG. 2, showing the cover further opened to a vertical position, and showing an interior cover panel; and, FIG. 4 is a perspective view of the subject matter of FIG. 3 showing the interior cover panel opened. The bottom and rear surfaces are flat and unornamented.

[56] **References Cited**

**U.S. PATENT DOCUMENTS**

- D. 396,732 9/1998 Bucher ..... D27/189
- D. 397,826 9/1998 McDiarmid ..... D27/189
- 5,607,051 3/1997 Espinosa ..... 206/213.1

**1 Claim, 4 Drawing Sheets**

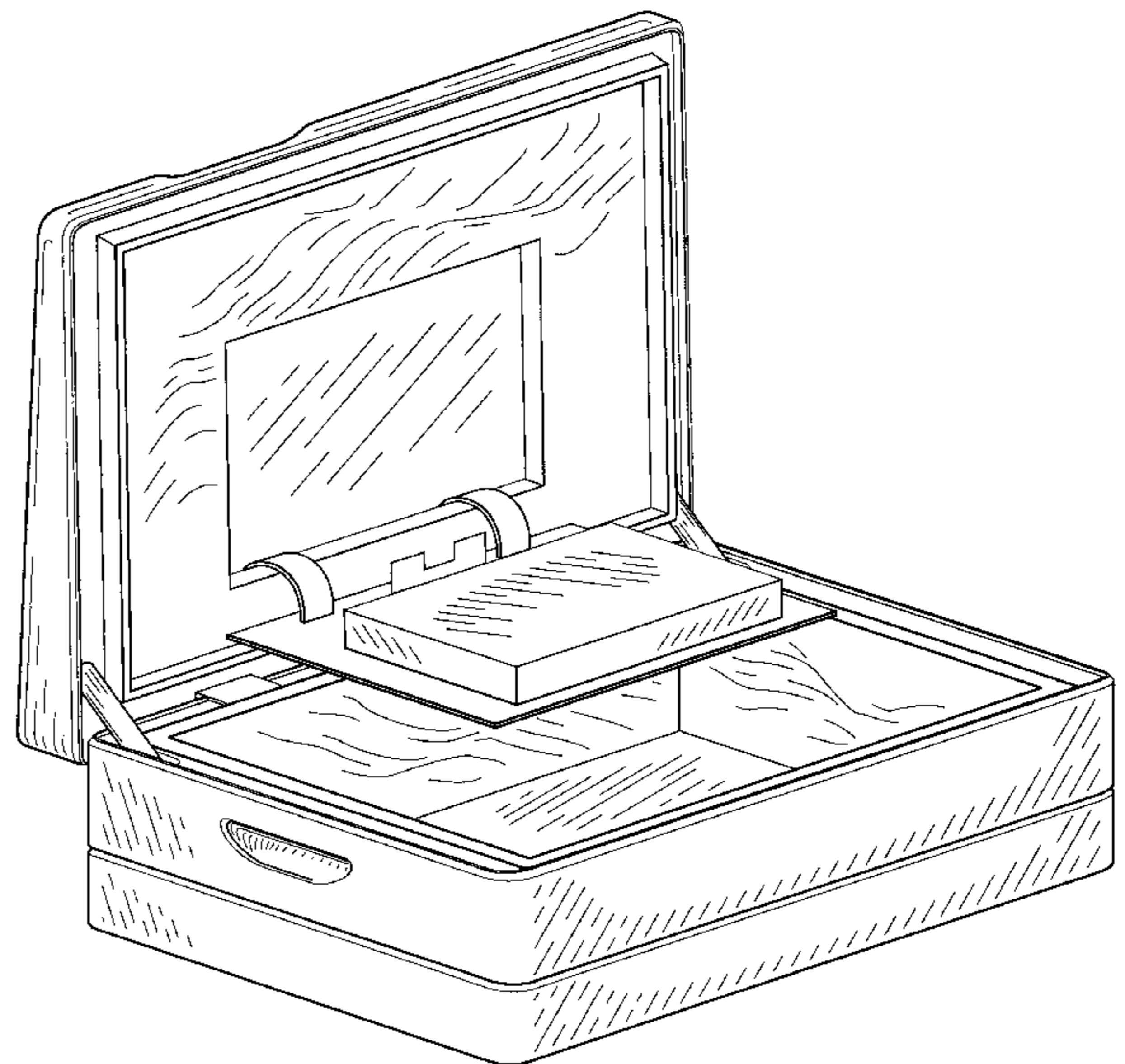
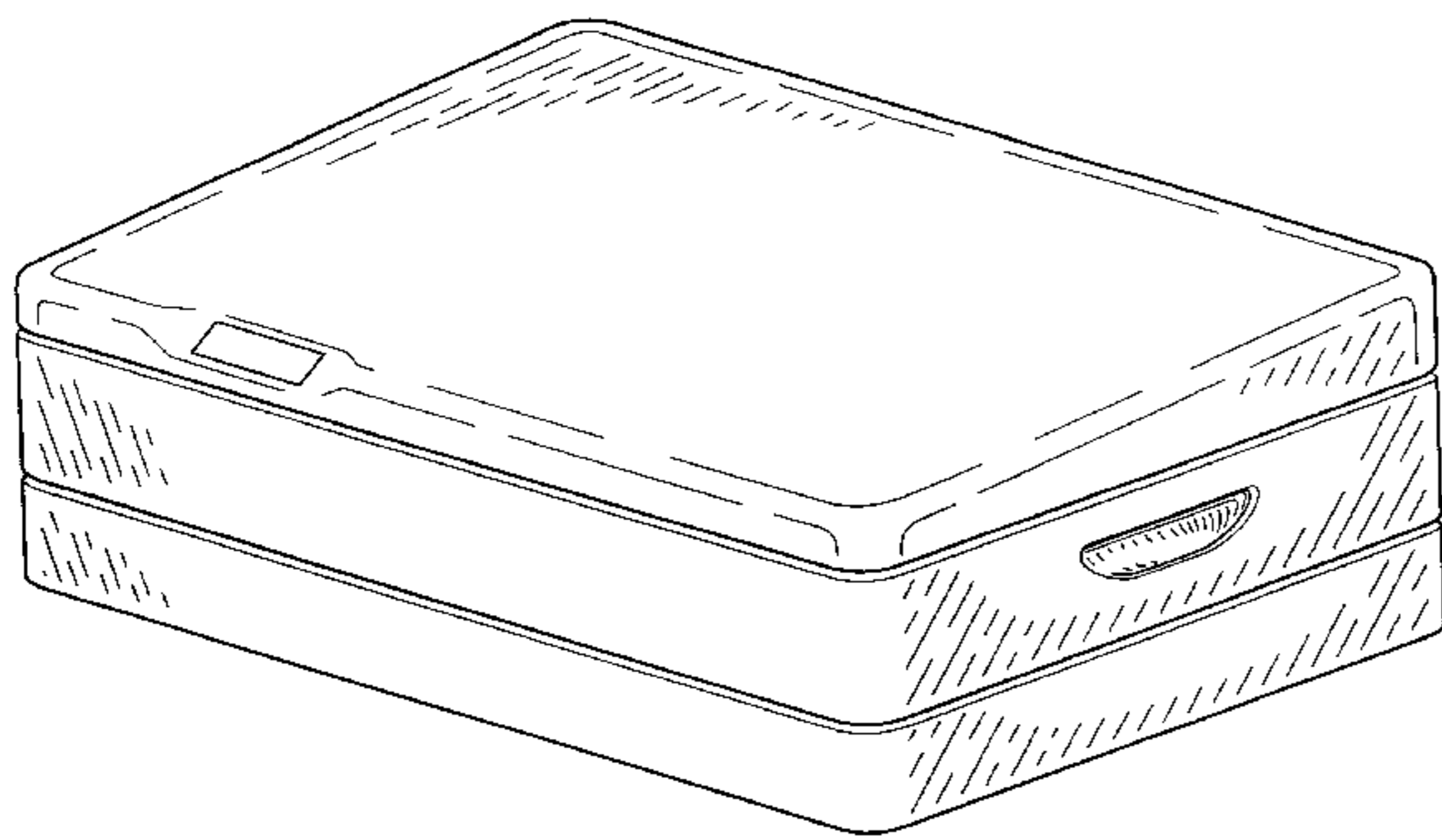


Fig. 1

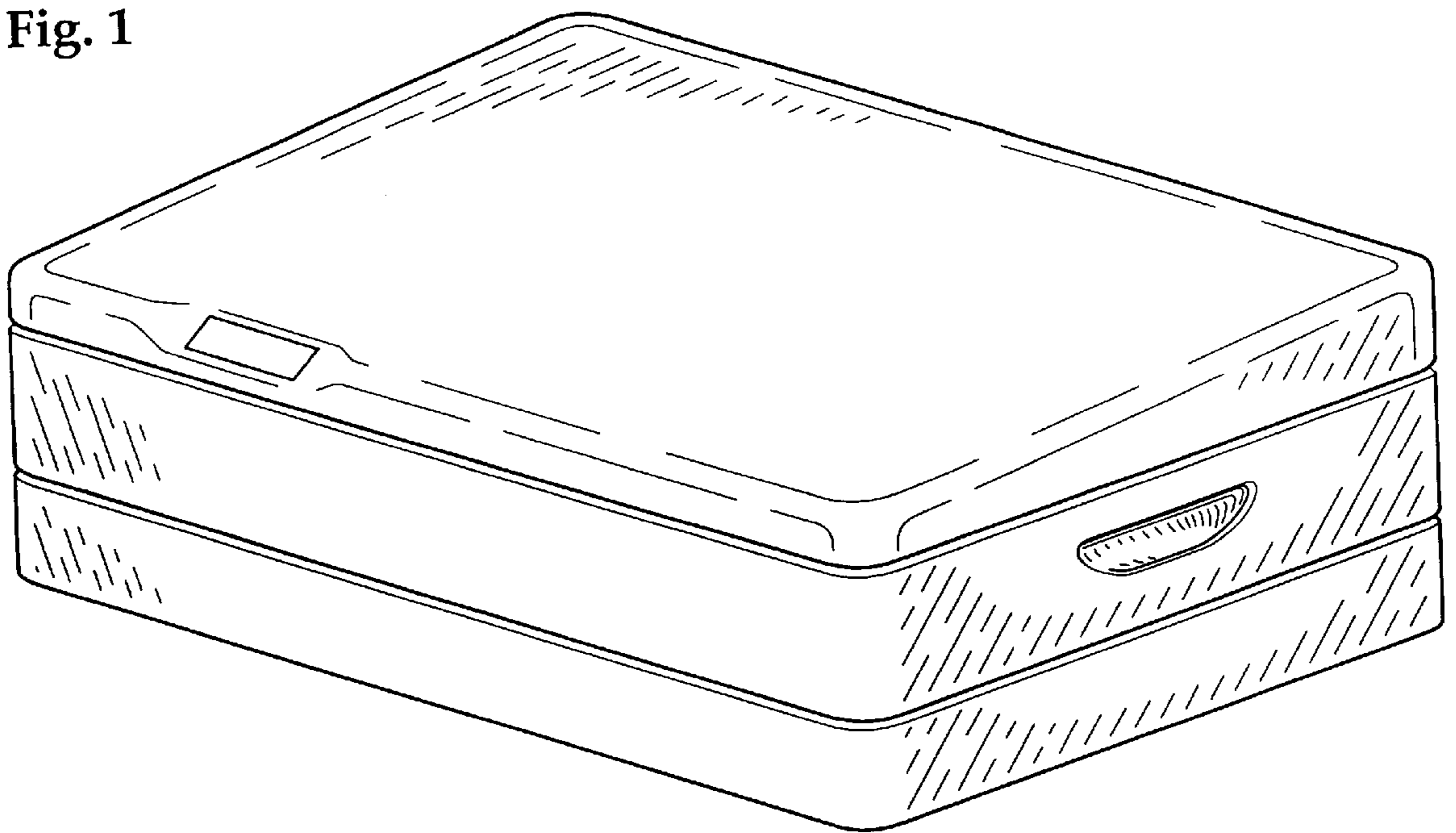


Fig. 2

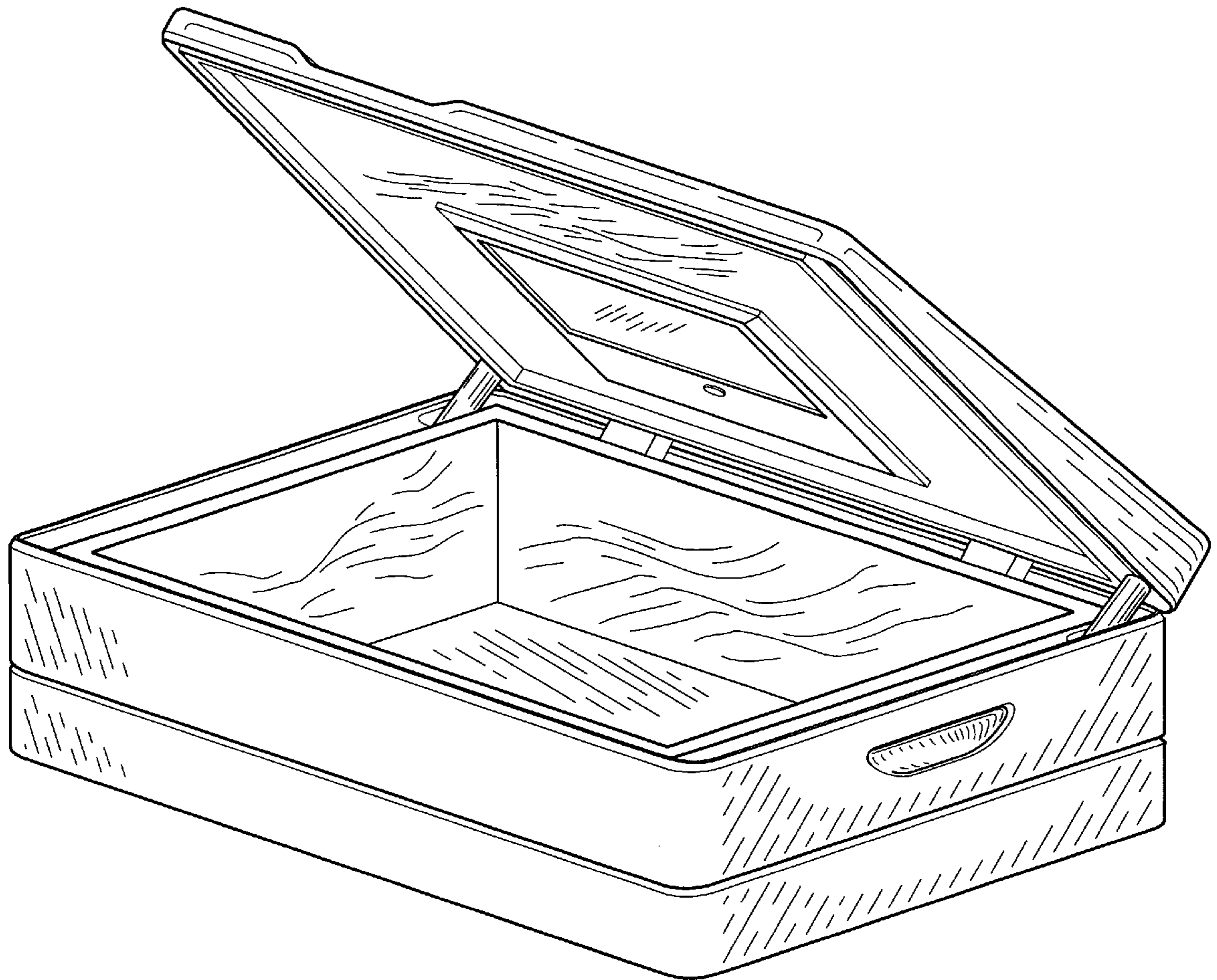


Fig. 3

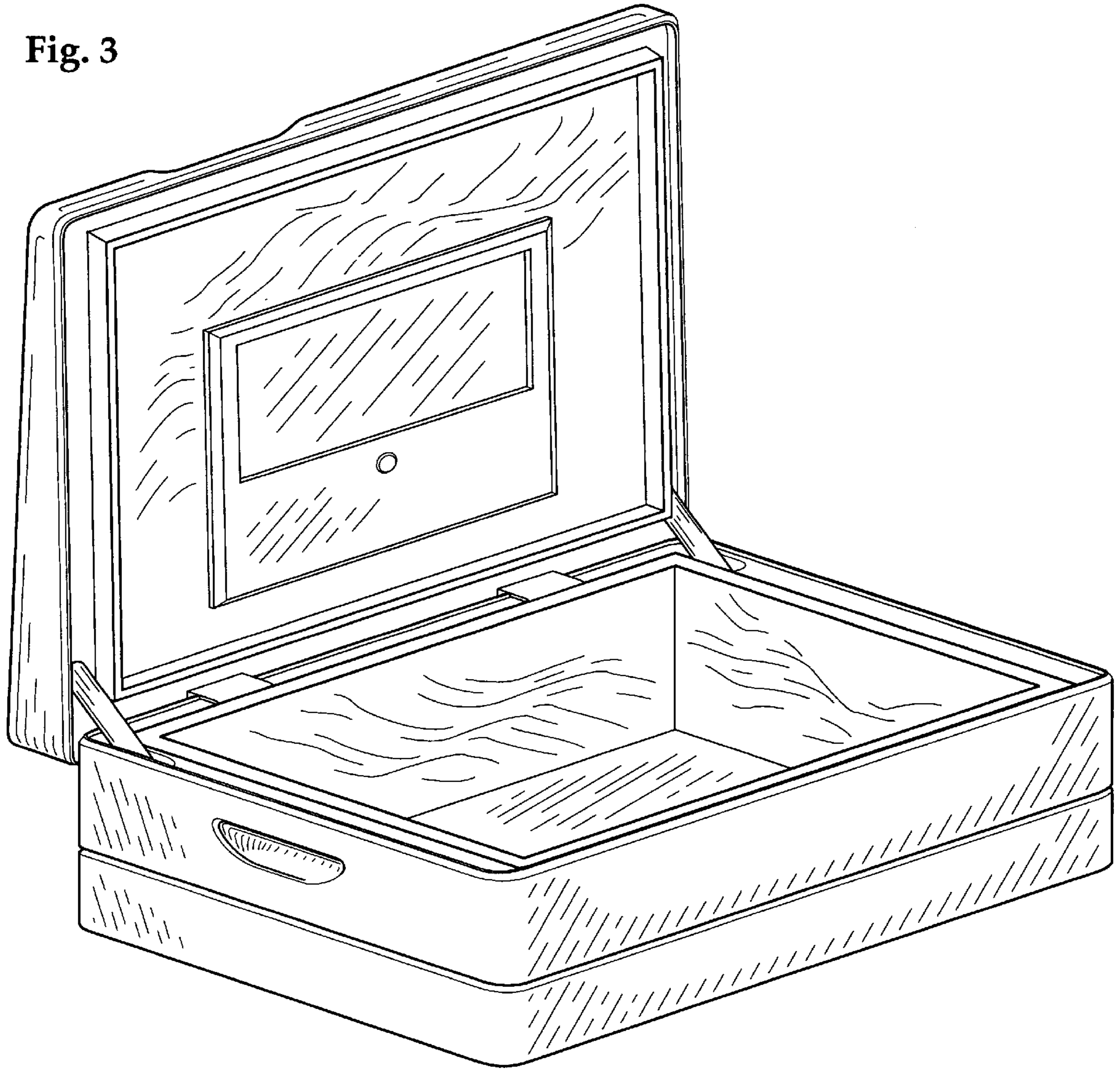


Fig. 4

