



US00D416101S

# United States Patent [19] Yuen

[11] **Patent Number: Des. 416,101**  
[45] **Date of Patent: \*\* Nov. 2, 1999**

[54] **COMBINED FLUORESCENT LIGHT AND SPOTLIGHT**

[75] Inventor: **John Se-Kit Yuen**, Kowloon, The Hong Kong Special Administrative Region of the People's Republic of China

[73] Assignee: **John Manufacturing Limited**, Kowloon, The Hong Kong Special Administrative Region of the People's Republic of China

[\*\*] Term: **14 Years**

[21] Appl. No.: **29/090,262**

[22] Filed: **Jul. 2, 1998**

[30] **Foreign Application Priority Data**

Jan. 6, 1998 [GB] United Kingdom ..... 2071493

[51] **LOC (6) Cl.** ..... **26-02**

[52] **U.S. Cl.** ..... **D26/42**

[58] **Field of Search** ..... D26/37-50; 362/157, 362/158, 183-202

[56] **References Cited**

**U.S. PATENT DOCUMENTS**

D. 274,002 5/1984 Poon ..... D26/42

D. 329,504	9/1992	Yuen	.....	D26/42
D. 344,152	2/1994	Yuen	.....	D26/42
D. 363,563	10/1995	Yuen	.....	D26/42
D. 373,209	8/1996	Yuen	.....	D26/42
D. 377,839	2/1997	Yuen	.....	D26/42
D. 378,141	2/1997	Yuen	.....	D26/42
D. 391,656	3/1998	Wan	.....	D26/42
D. 399,578	10/1998	Yuen	.....	D26/37

*Primary Examiner*—Marcus A. Jackson  
*Attorney, Agent, or Firm*—Fay, Sharpe, Beall, Fagan, Minnich & McKee

[57] **CLAIM**

The ornamental design for a combined fluorescent light and spotlight, as shown and described.

**DESCRIPTION**

FIG. 1 is a perspective view of a combined fluorescent light and spotlight showing my new design;  
FIG. 2 is a perspective view showing fluorescent tube in an alternative position thereof;  
FIG. 3 is a front elevational view thereof;  
FIG. 4 is a top plan view thereof;  
FIG. 5 is an rear elevational view thereof;  
FIG. 6 is a bottom plan thereof;  
FIG. 7 is a left side elevational view thereof; and,  
FIG. 8 is a right side elevational view thereof.

**1 Claim, 3 Drawing Sheets**

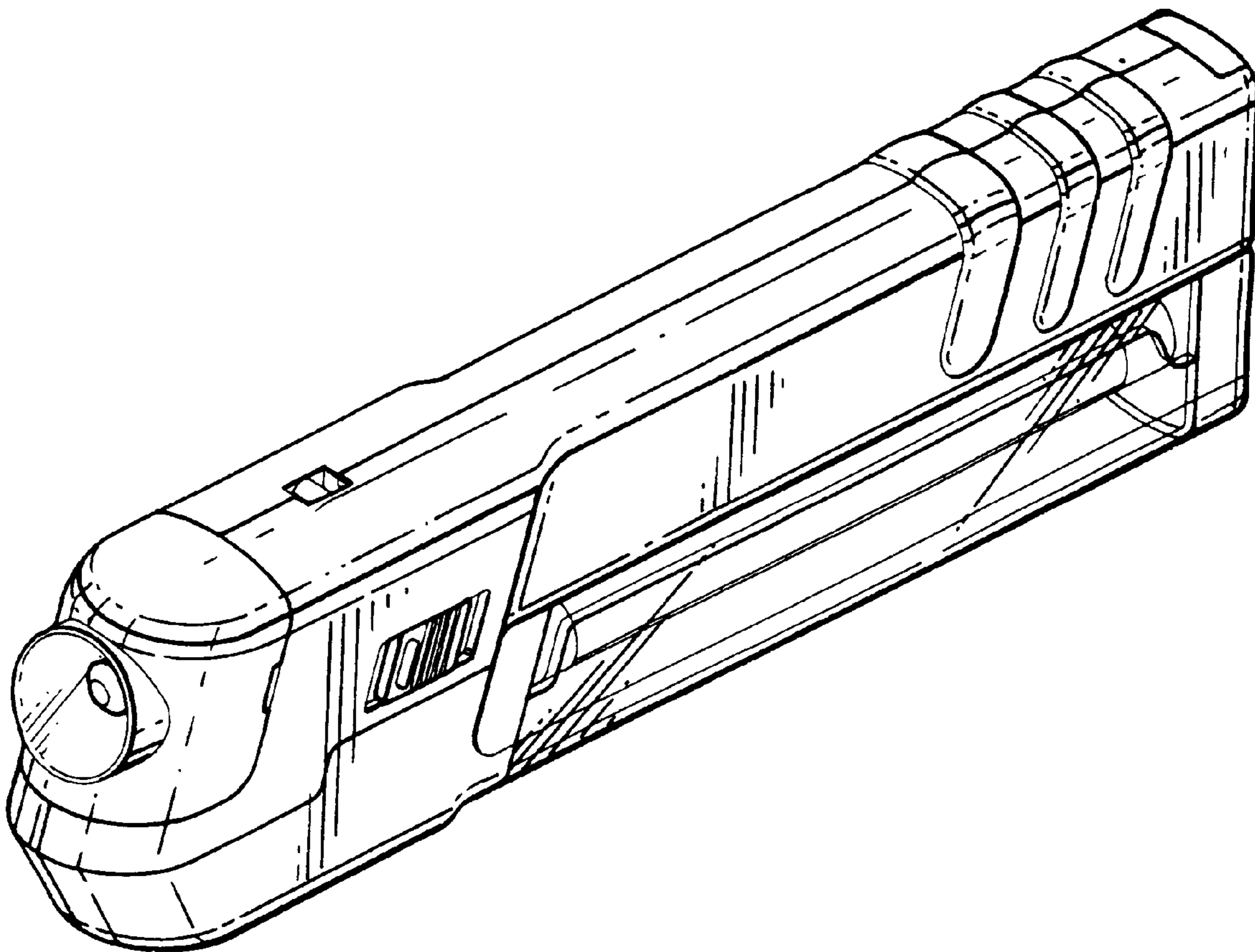


FIG. 1

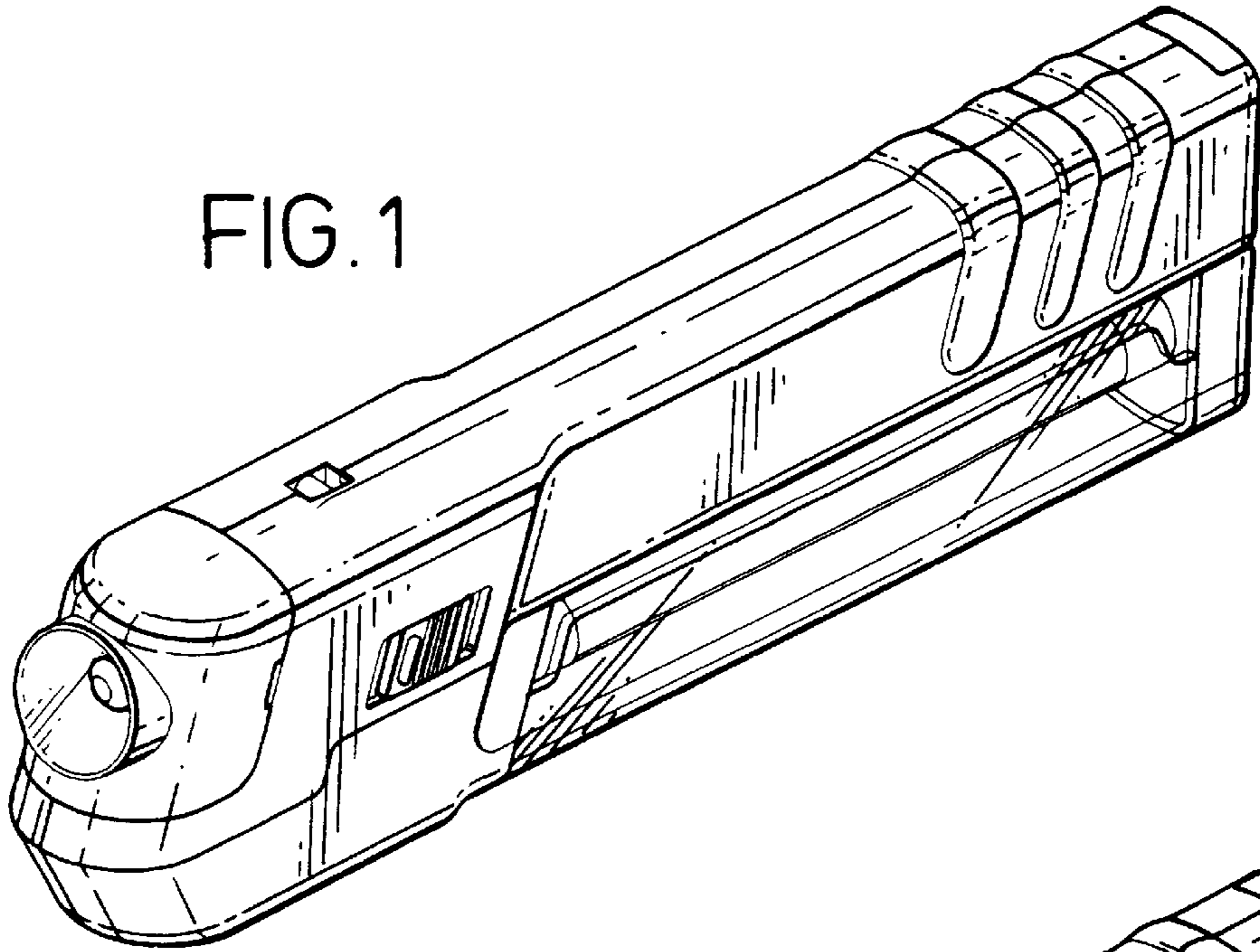
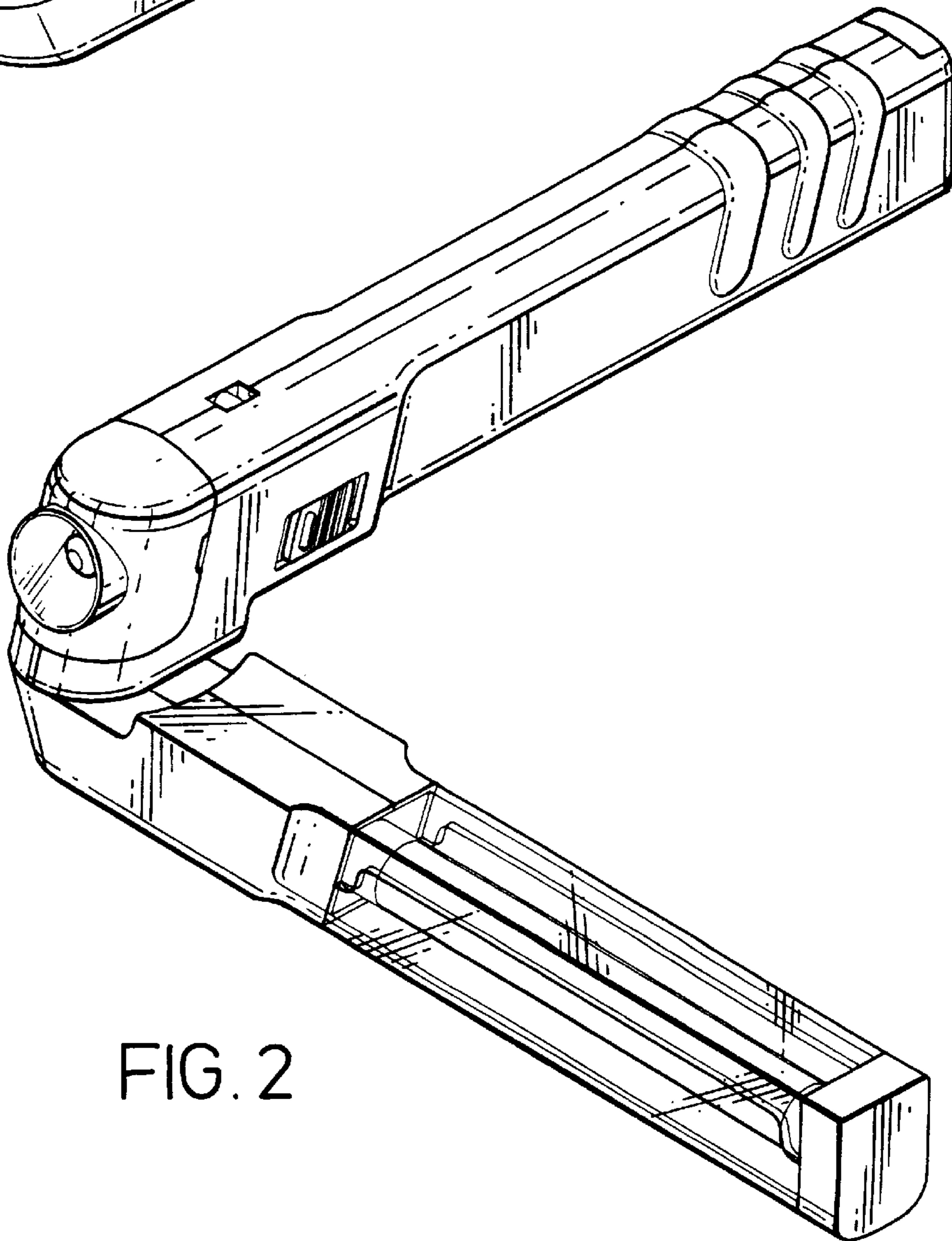


FIG. 2



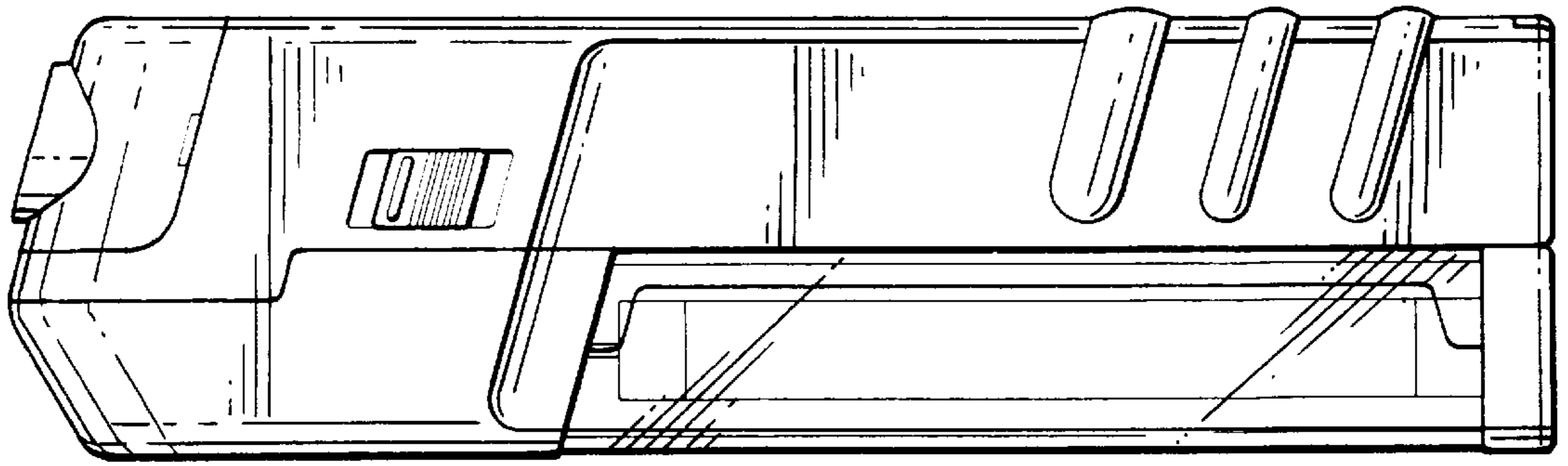


FIG. 3

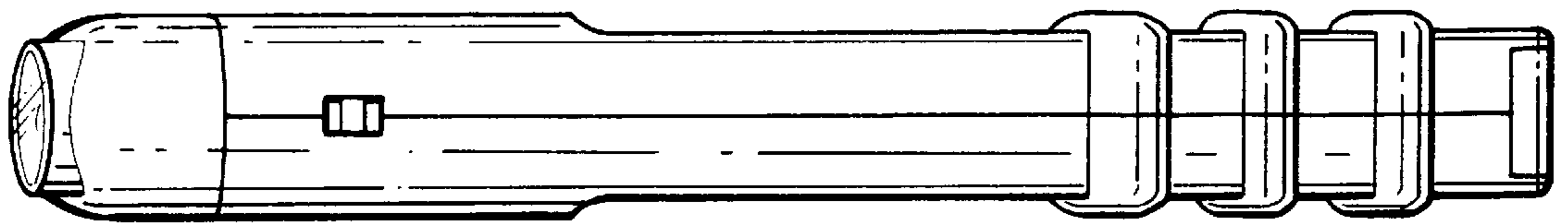


FIG. 4

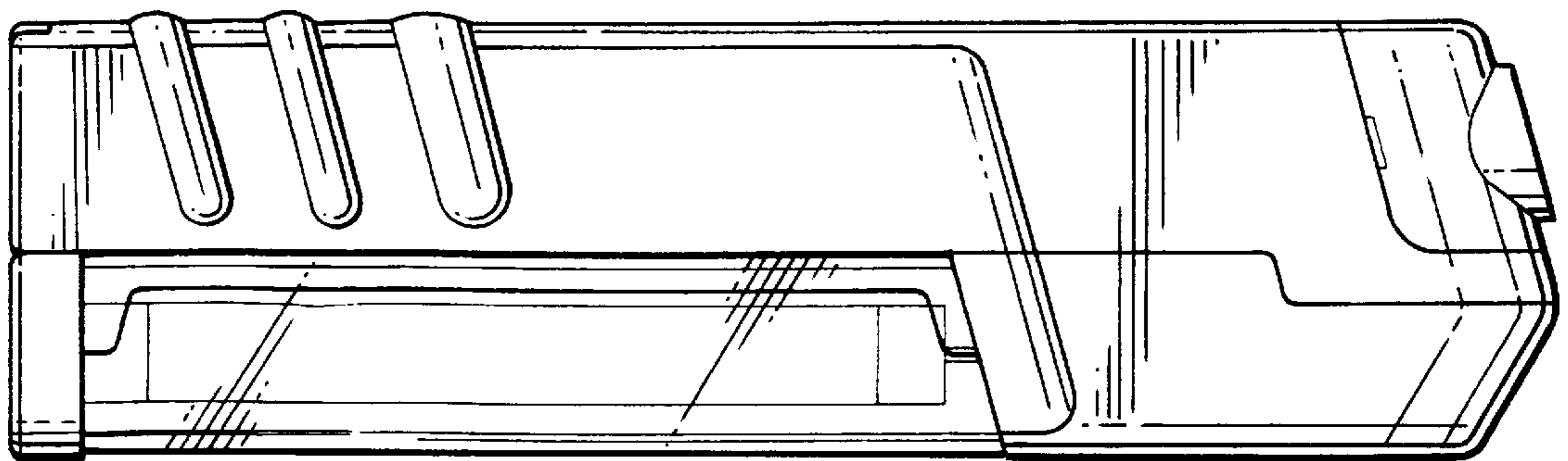


FIG. 5

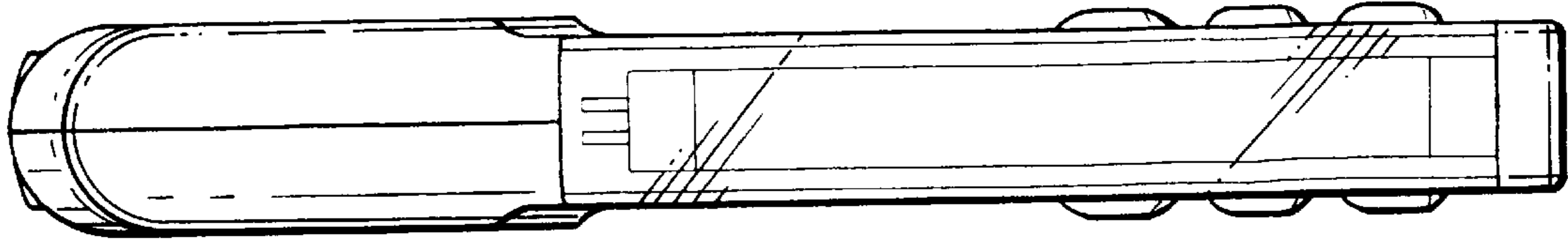


FIG. 6

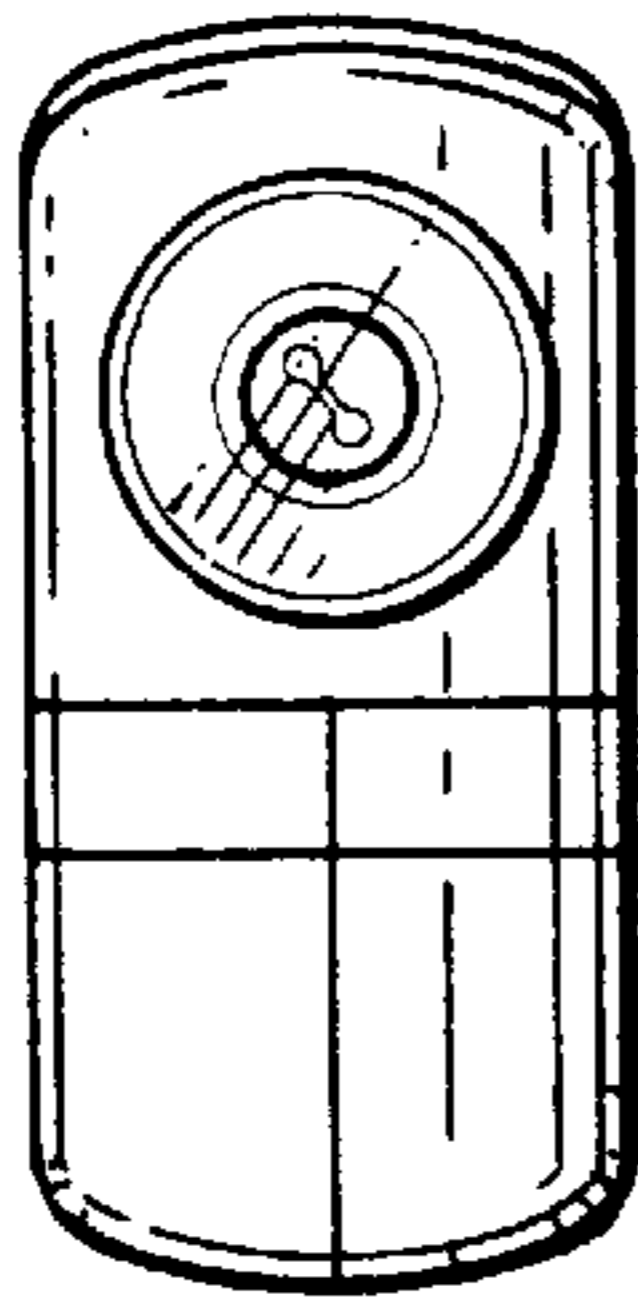


FIG. 7

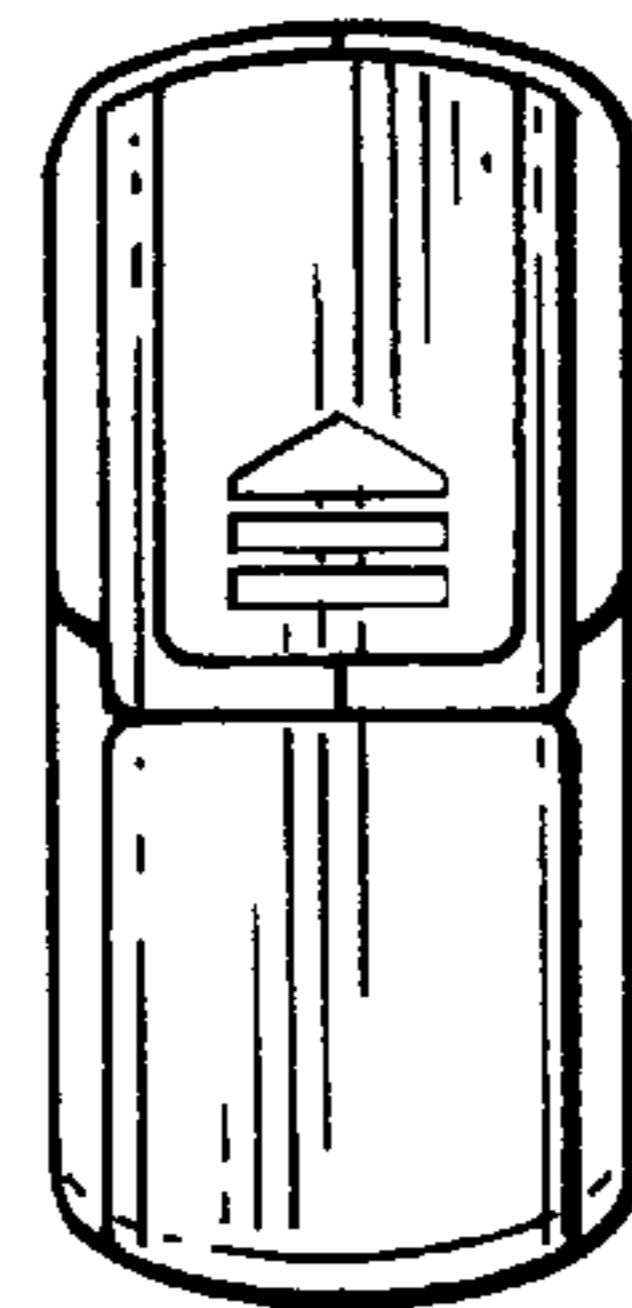


FIG. 8