



US00D416100S

United States Patent [19]
Hussaini

[11] **Patent Number: Des. 416,100**

[45] **Date of Patent: ** Nov. 2, 1999**

[54] **AUXILIARY VEHICLE LIGHT**

[75] Inventor: **Saied Hussaini**, Miami, Fla.

[73] Assignee: **Rally Manufacturing, Inc.**, Miami, Fla.

[**] Term: **14 Years**

[21] Appl. No.: **29/097,592**

[22] Filed: **Dec. 10, 1998**

[51] **LOC (6) Cl.** **26-06**

[52] **U.S. Cl.** **D26/29**

[58] **Field of Search** D26/28, 29, 36;
362/460, 464, 465, 467, 493, 499, 507,
512, 523, 529, 530, 538, 269, 275, 285,
287, 418, 419, 427

[56] **References Cited**

U.S. PATENT DOCUMENTS

D. 248,691	7/1978	Cibie	D26/36
D. 261,051	9/1981	Catte	D26/29
D. 324,429	3/1992	Davis	D26/29
D. 354,362	1/1995	Tsai	D26/28
5,611,510	3/1997	Yamamoto	362/269 X

Primary Examiner—Susan J. Lucas
Attorney, Agent, or Firm—Liniak, Berenato, Longacre & White

[57] **CLAIM**

The ornamental design for an auxiliary vehicle light, as shown and described.

DESCRIPTION

FIG. 1 is a front view of an auxiliary vehicle light showing my new design.

FIG. 2 is a rear view of the auxiliary vehicle light shown in FIG. 1.

FIG. 3 is a left side view of the auxiliary vehicle light shown in FIG. 1.

FIG. 4 is a right side view of the auxiliary vehicle light shown in FIG. 1.

FIG. 5 is a top view of the auxiliary vehicle light shown in FIG. 1.

FIG. 6 is a bottom view of the auxiliary vehicle light shown in FIG. 1; and,

FIG. 7 is a perspective view of the auxiliary vehicle light shown in FIG. 1.

The broken lines are shown for illustrative purposes only and form no part of the claimed design.

1 Claim, 4 Drawing Sheets

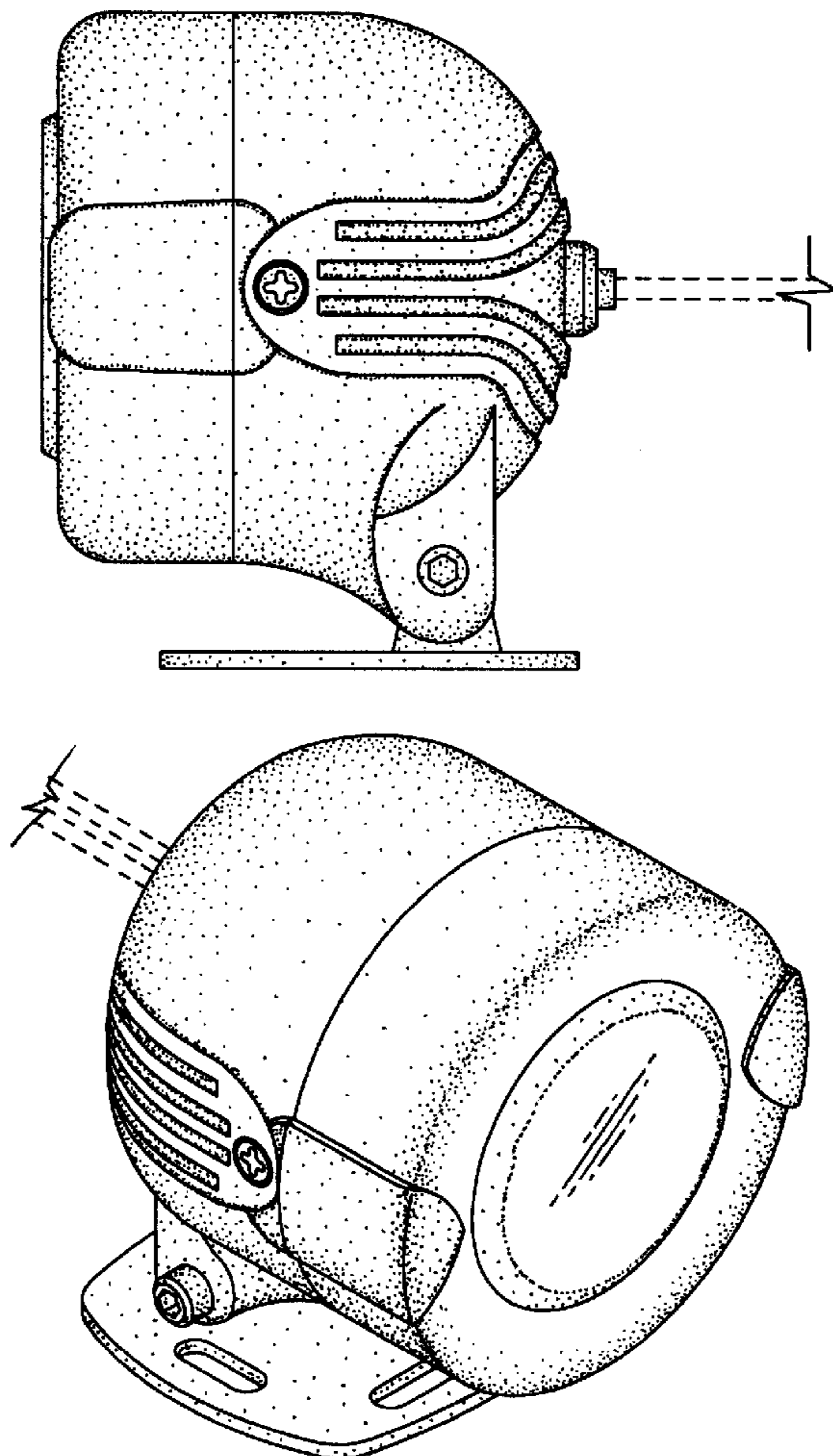


Fig. 1

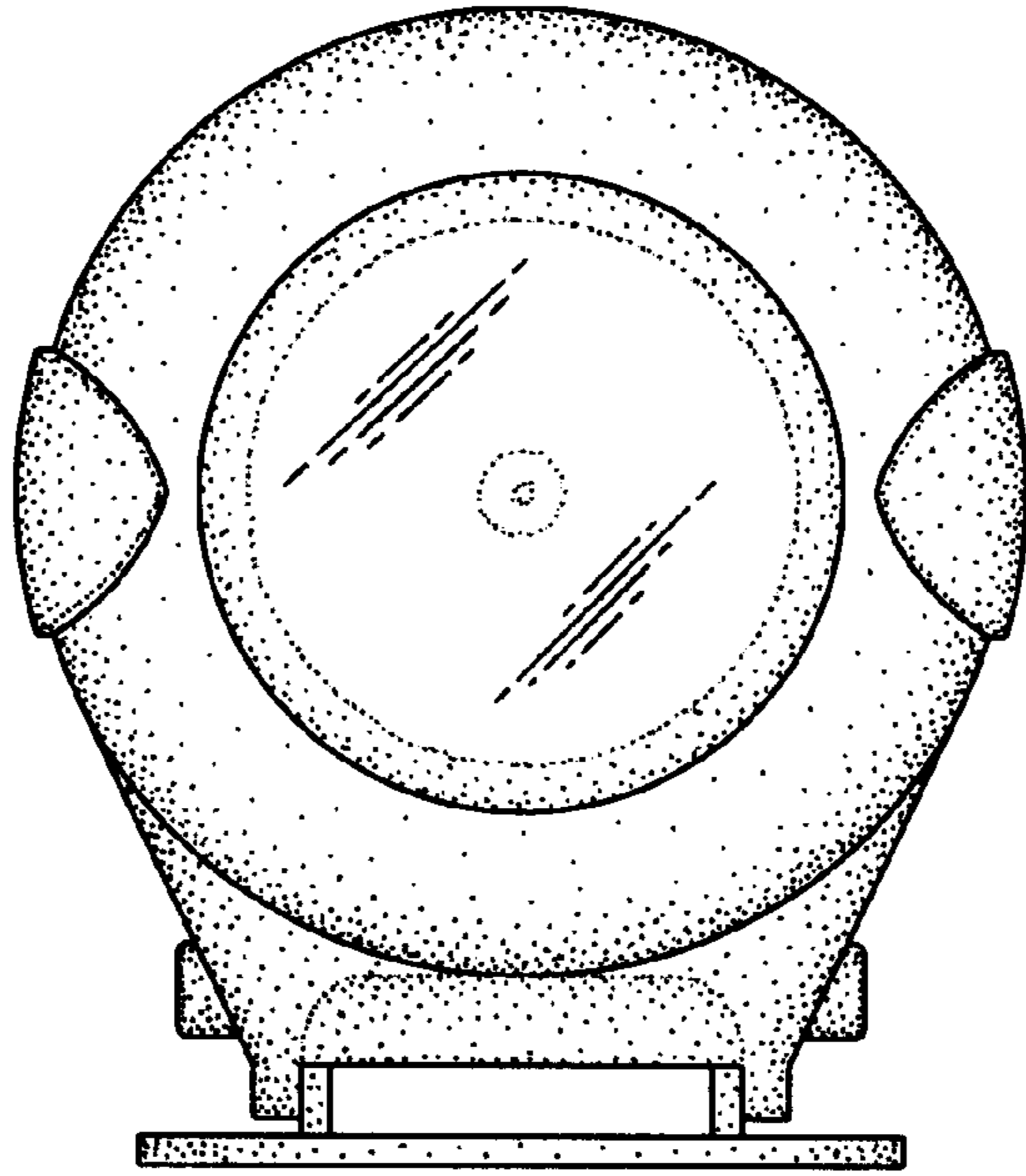


Fig. 2

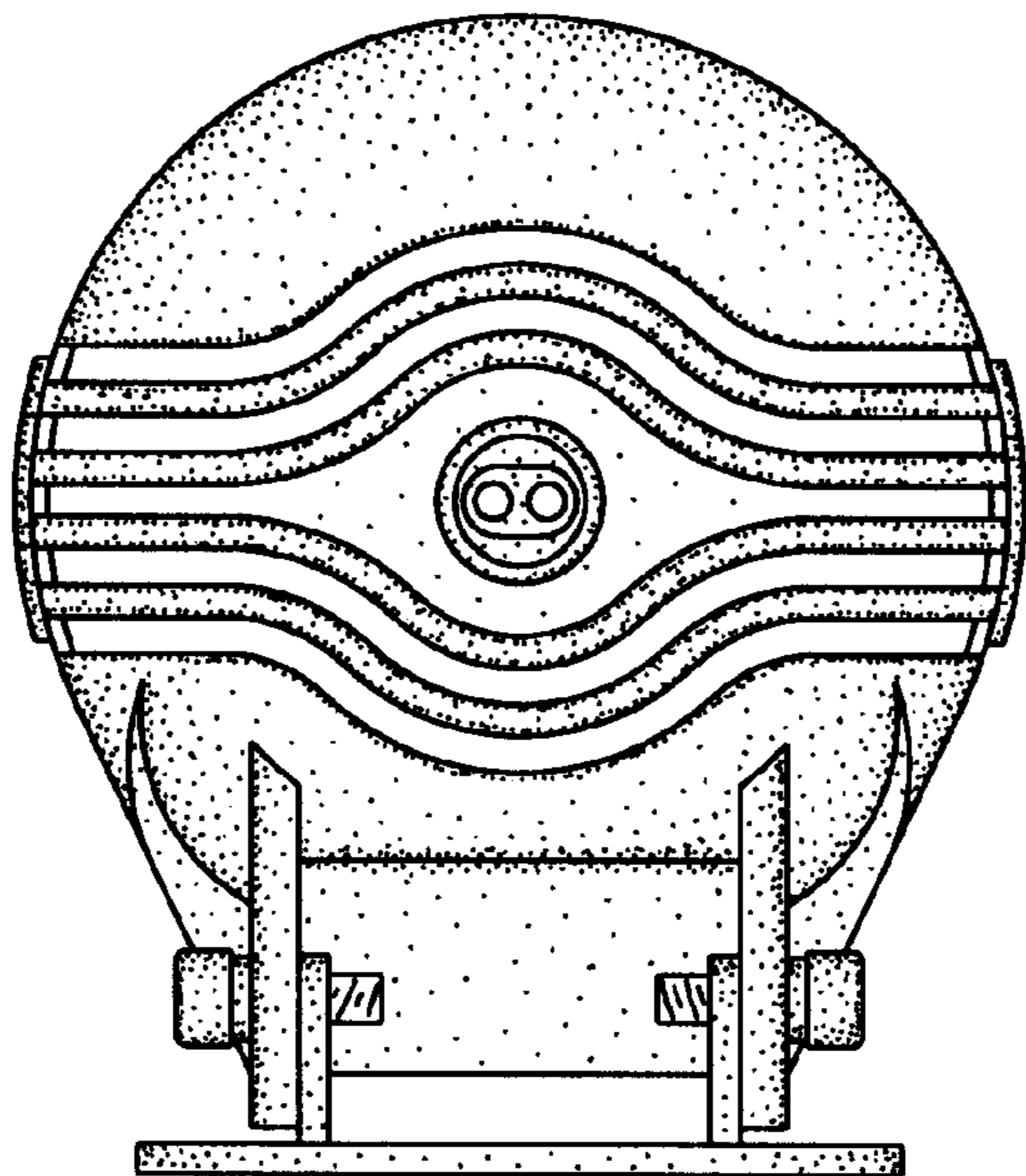


Fig. 3

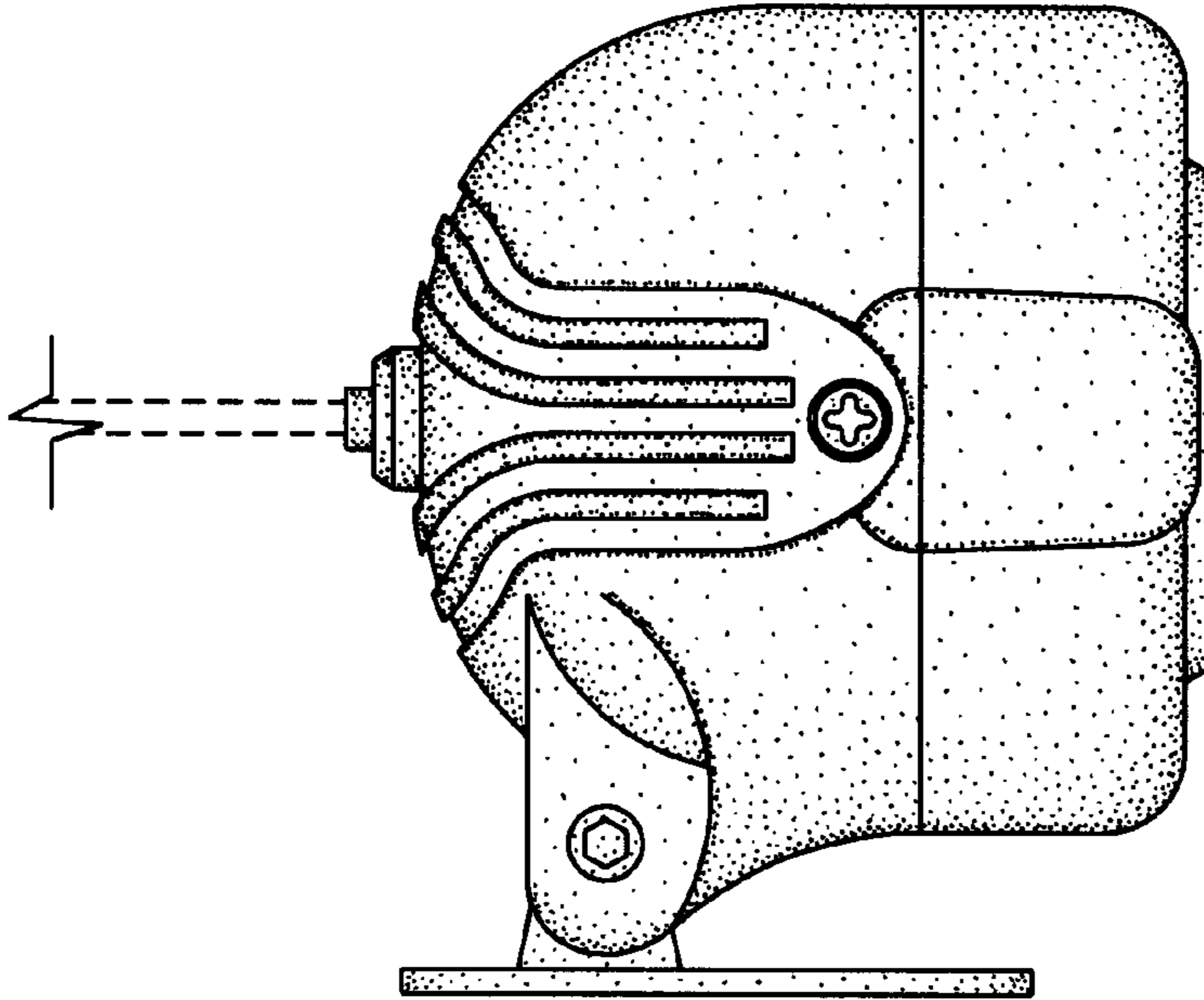


Fig. 4

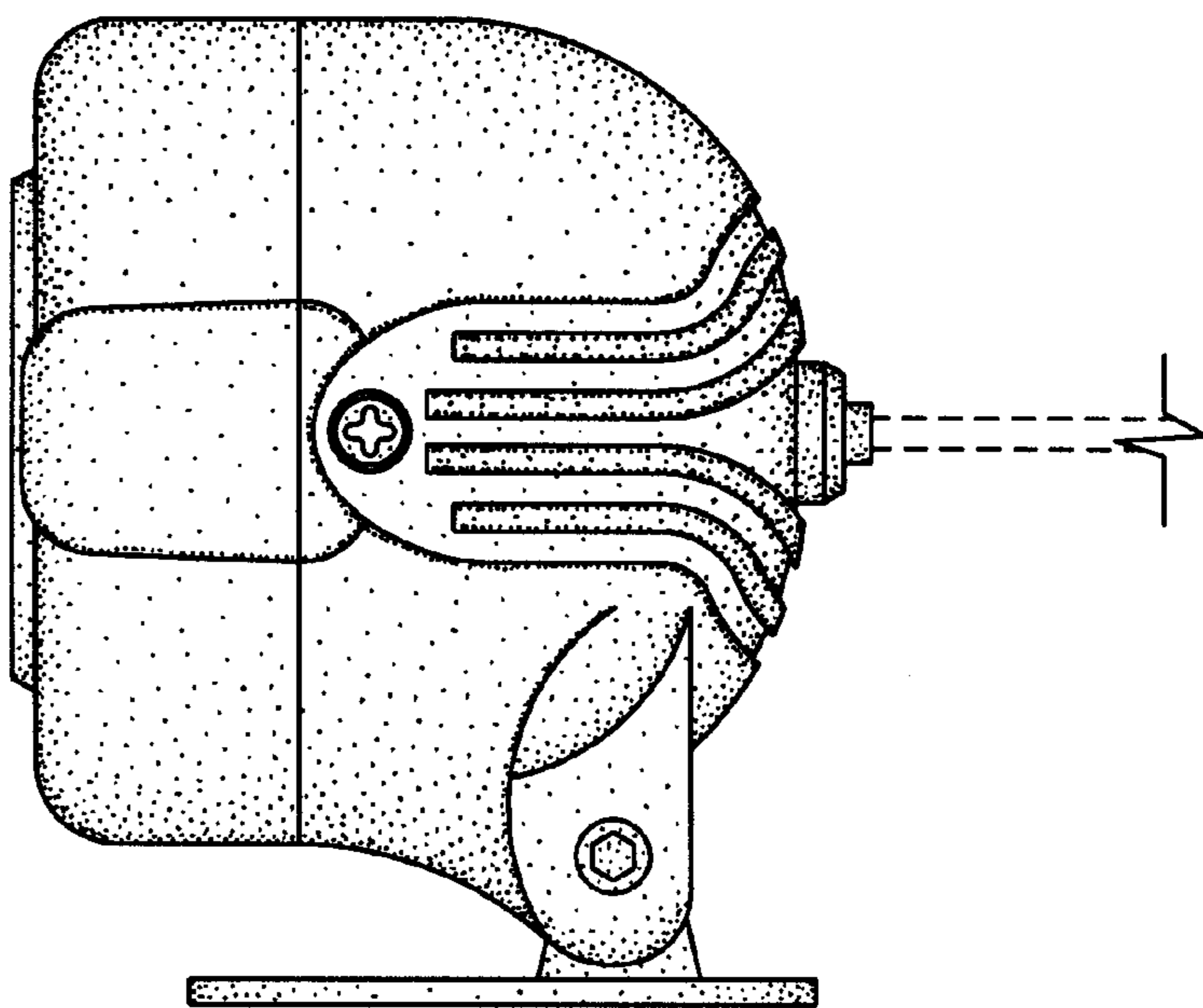


Fig. 5

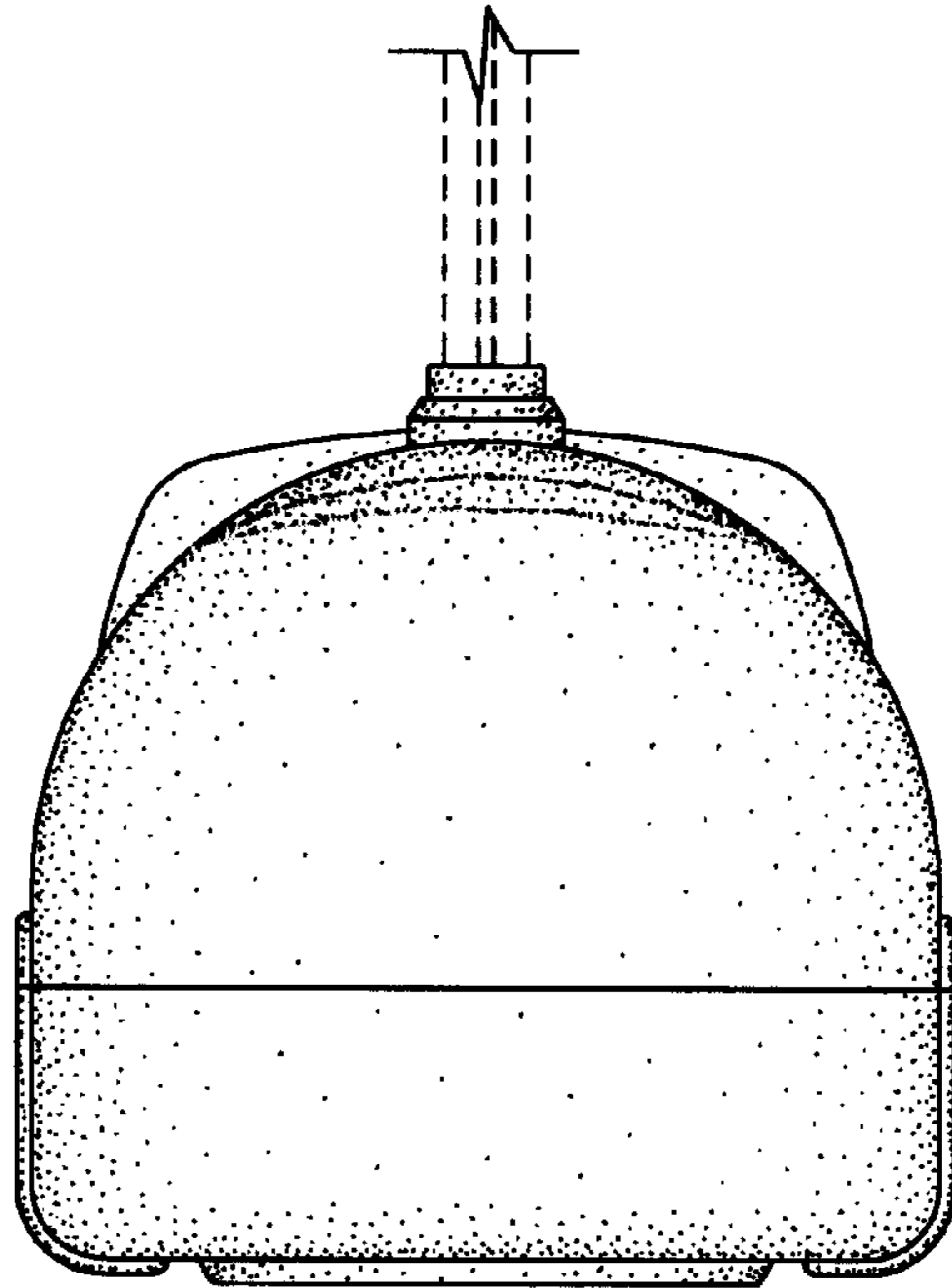


Fig. 6

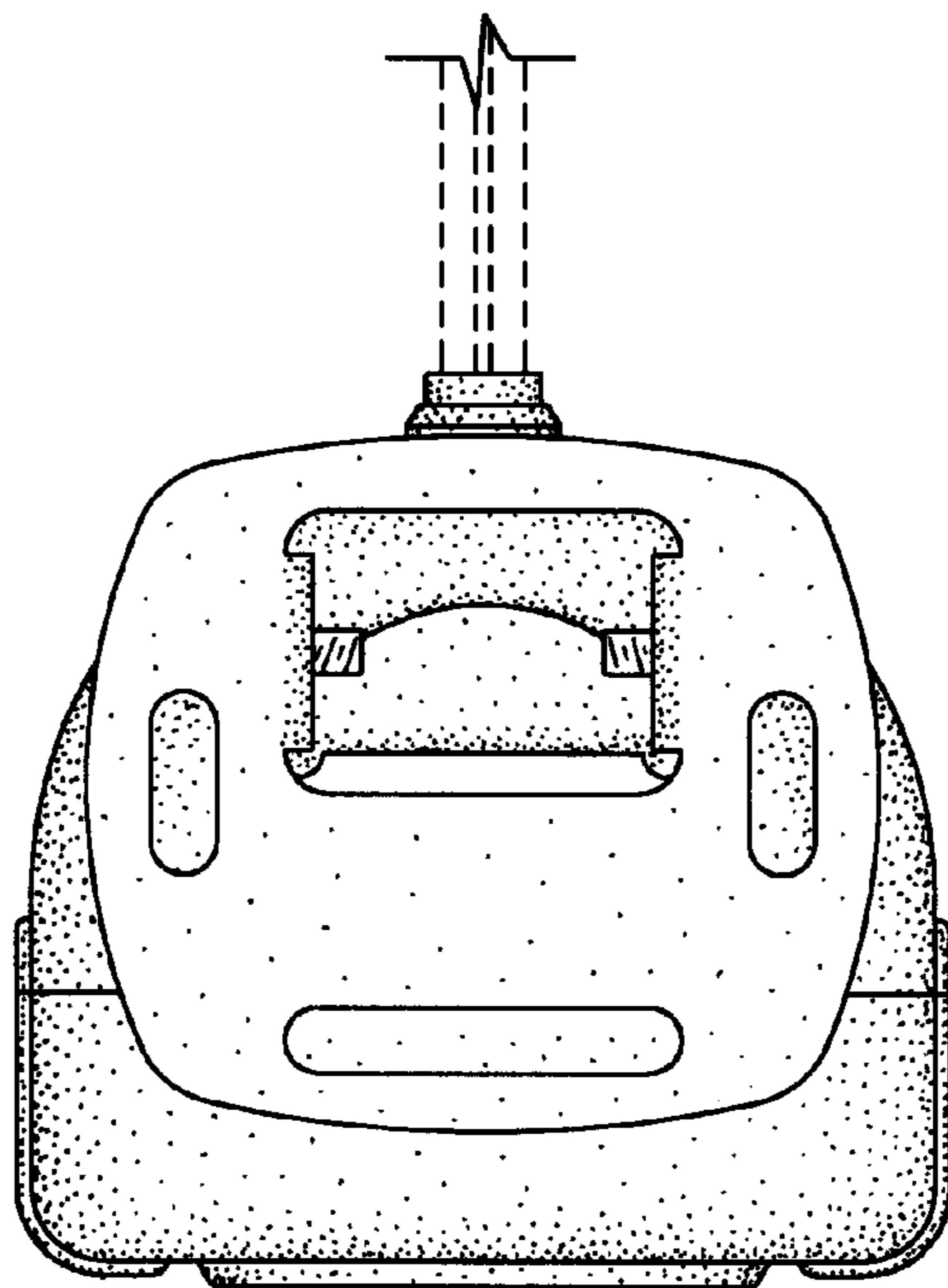


Fig. 7

