



US00D416098S

United States Patent [19] Sher

[11] **Patent Number: Des. 416,098**

[45] **Date of Patent: ** Nov. 2, 1999**

[54] **CANDLE HOLDER**

[76] Inventor: **Diane Risa Sher**, 5840 74th St., Los Angeles, Calif. 90045

[**] Term: **14 Years**

[21] Appl. No.: **29/097,816**

[22] Filed: **Dec. 15, 1998**

[51] **LOC (6) Cl.** **26-01**

[52] **U.S. Cl.** **D26/9**

[58] **Field of Search** D26/6, 7, 9-16,
D26/20, 23; 431/125, 126, 292-295

[56] **References Cited**

U.S. PATENT DOCUMENTS

D. 47,483	6/1915	Burger	D26/9
D. 132,868	6/1942	Sawyer	D26/9
D. 171,517	2/1954	Pachico	D26/9

Primary Examiner—Robin V. Taylor
Attorney, Agent, or Firm—David A. Belasco; William H. Pavitt, Jr.; Beehler & Pavitt

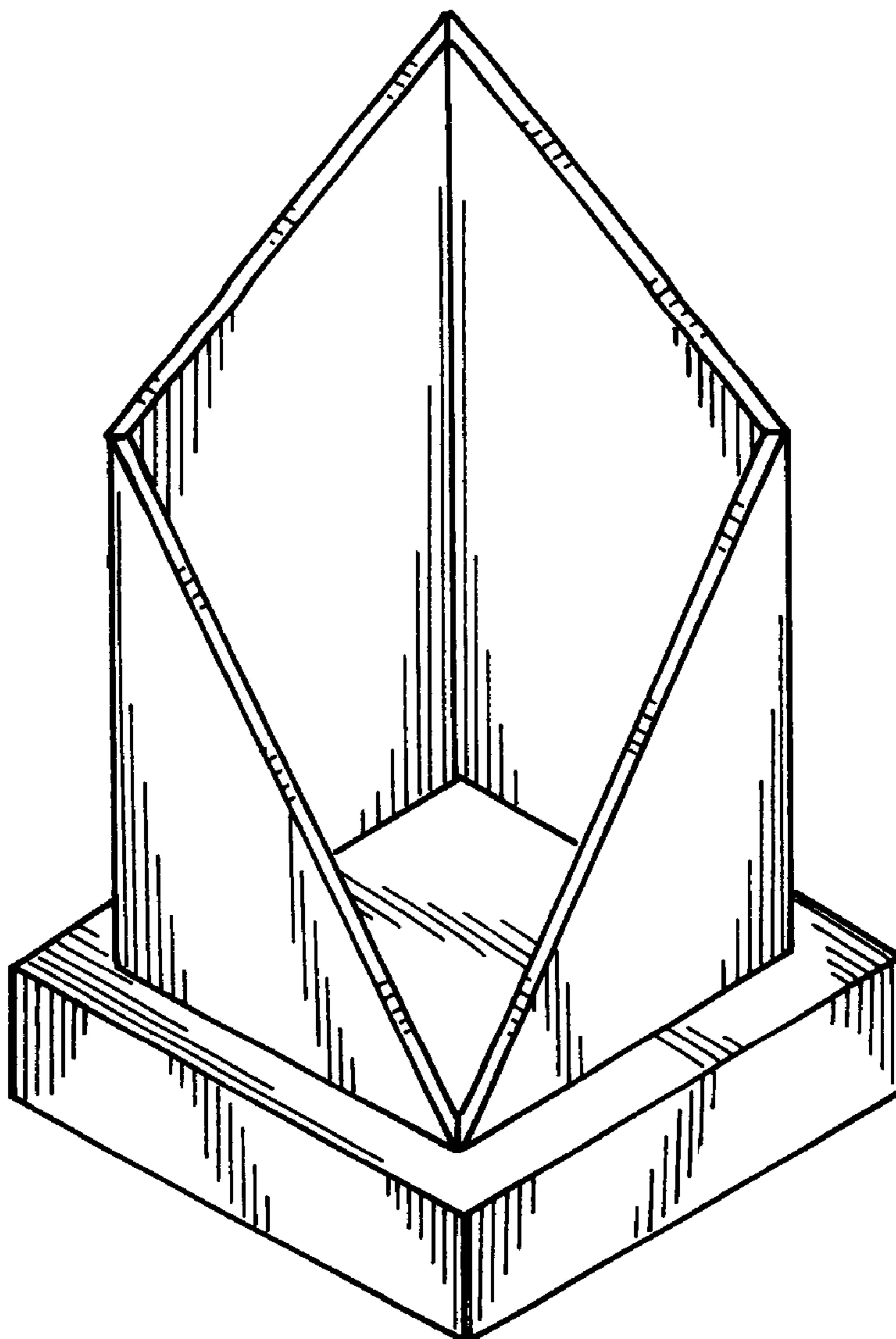
[57] **CLAIM**

The ornamental design for candle holder, as shown and described.

DESCRIPTION

FIG. 1 is a perspective view of the candle holder, according to my new design;
FIG. 2 is a side elevation looking from right front of FIG. 1;
FIG. 3 is a side elevation looking from left front of FIG. 1;
FIG. 4 is a top plan view;
FIG. 5 is a side elevation looking from right rear of FIG. 1;
FIG. 6 is a side elevation looking from left rear of FIG. 1;
and,
FIG. 7 is a bottom plan view of the candle holder.

1 Claim, 1 Drawing Sheet



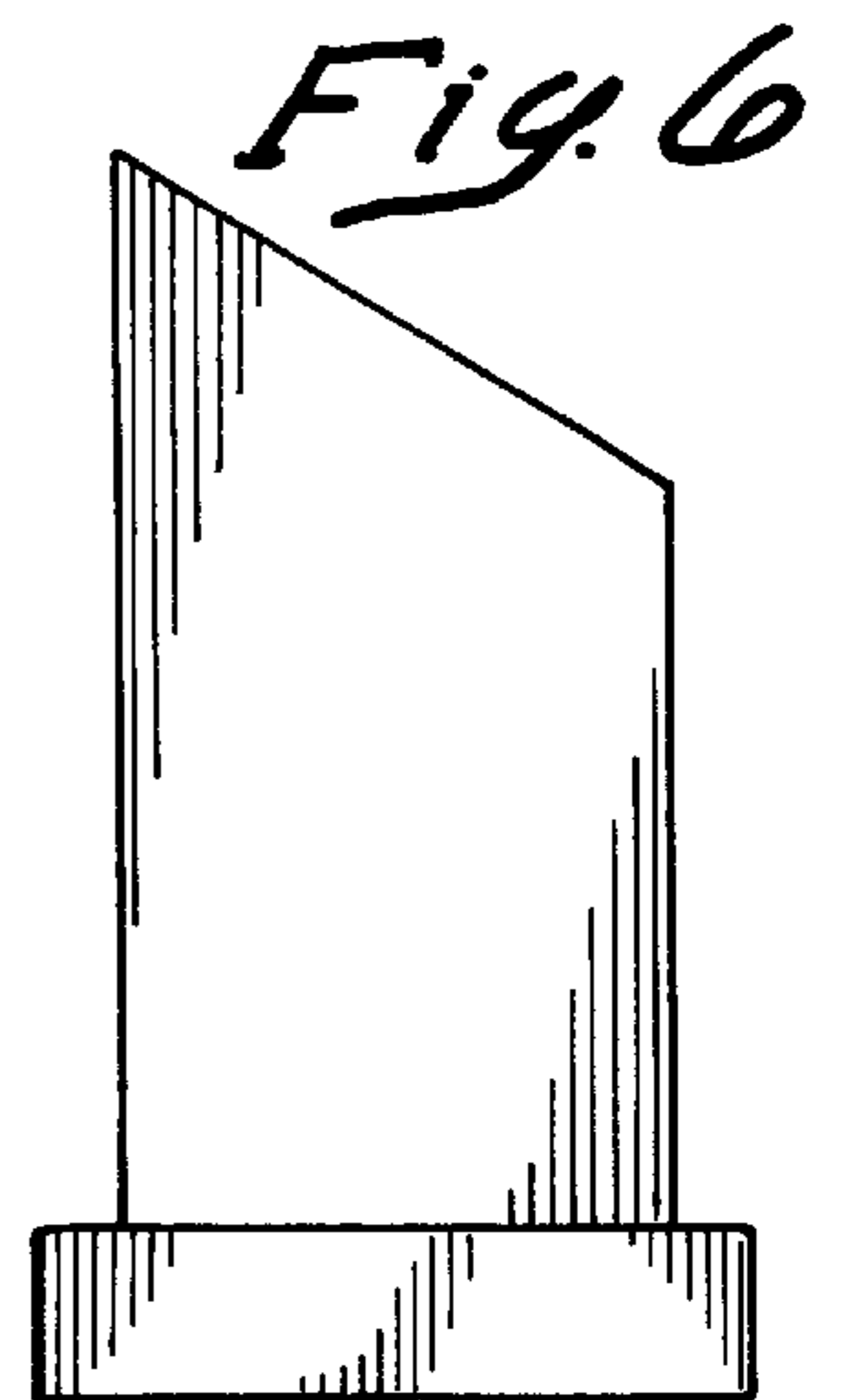
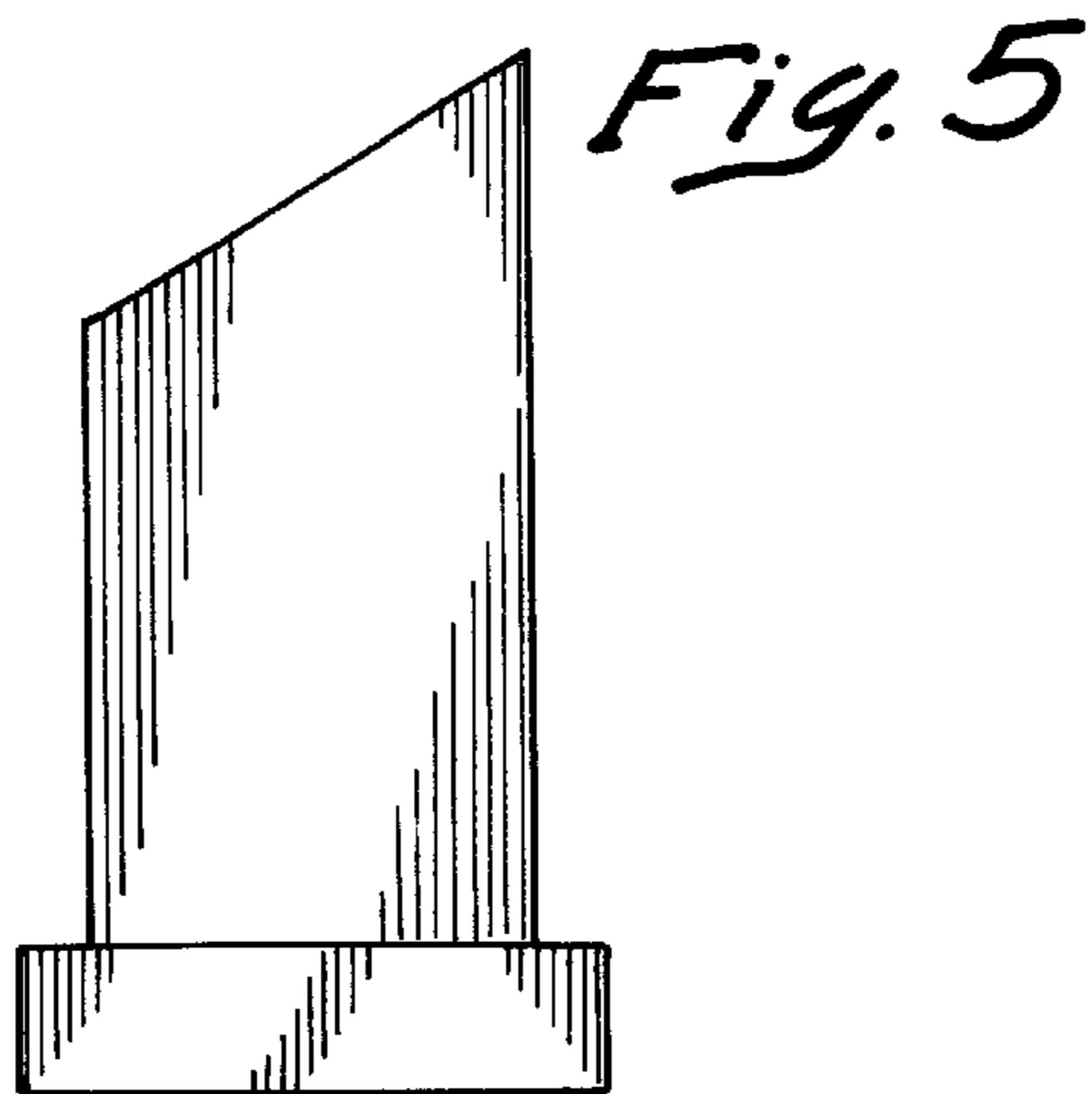
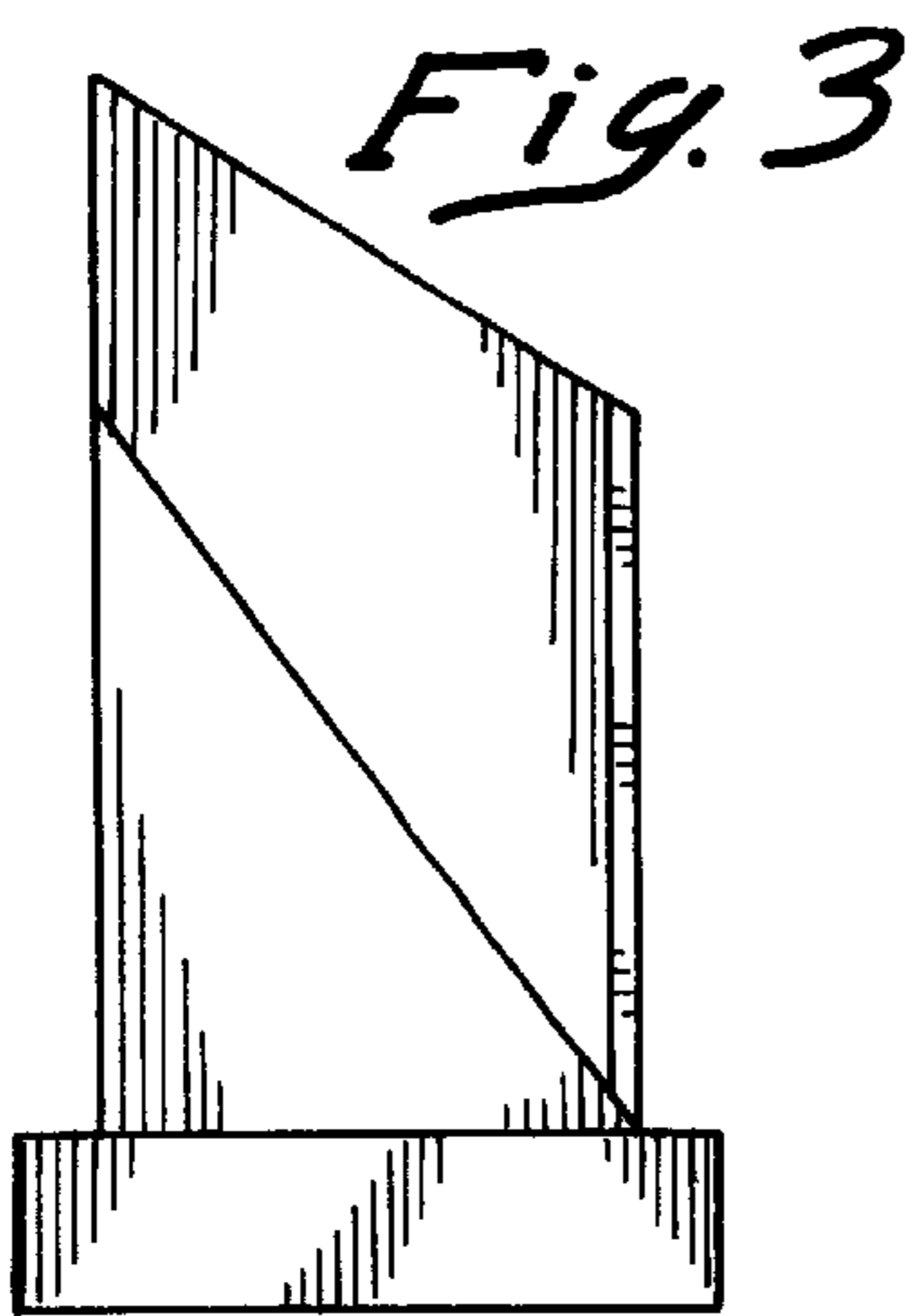
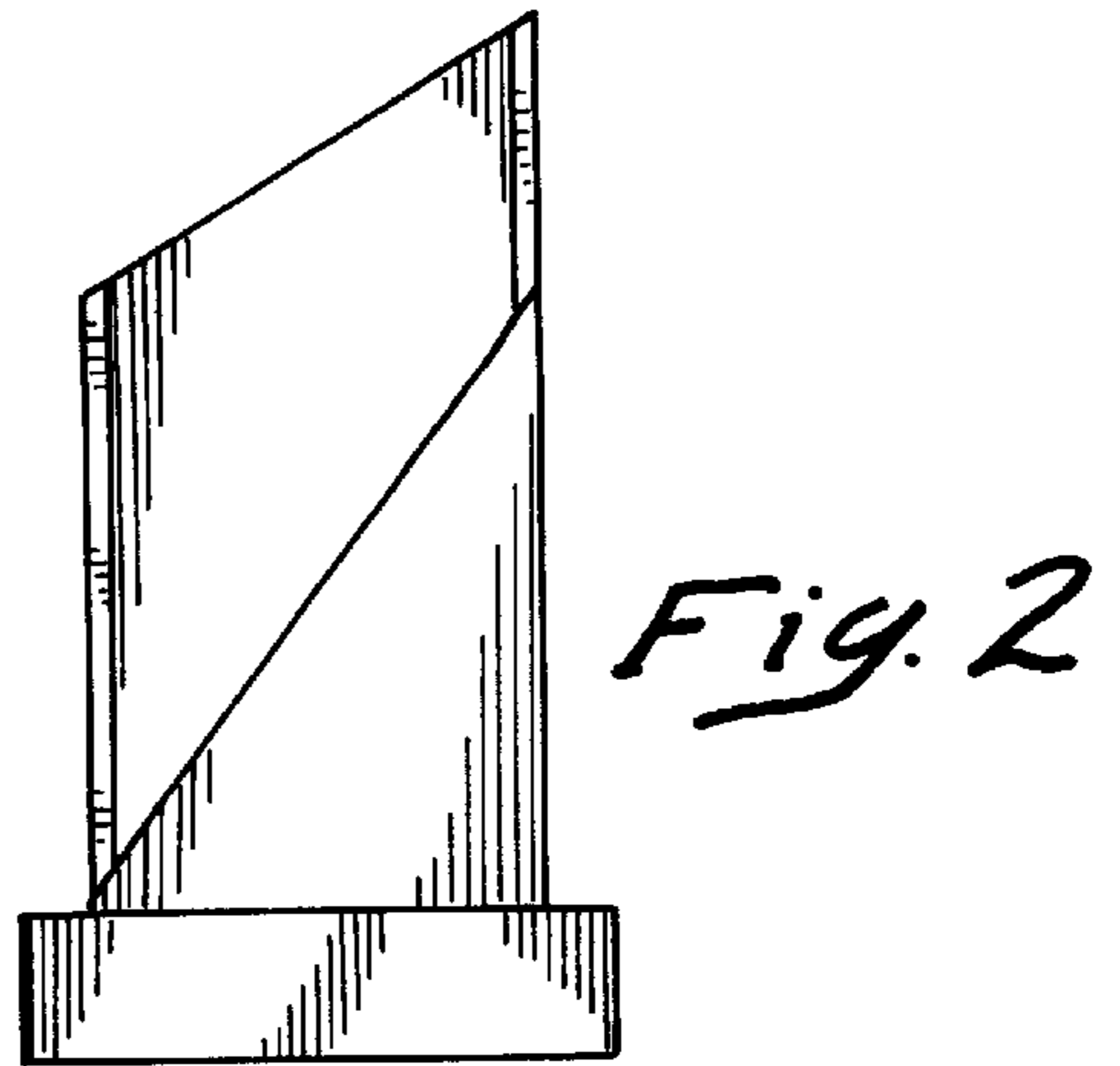
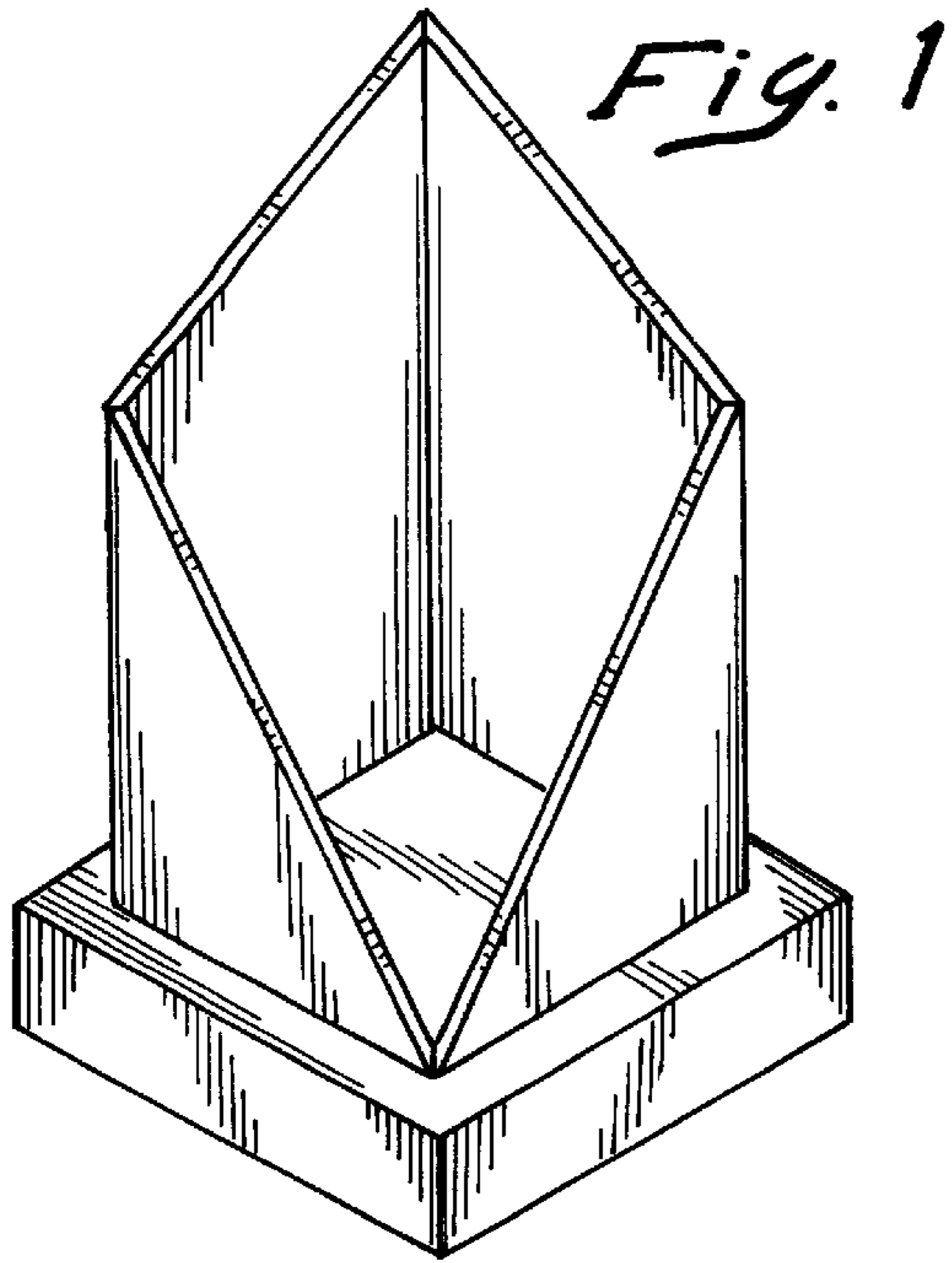


Fig. 4

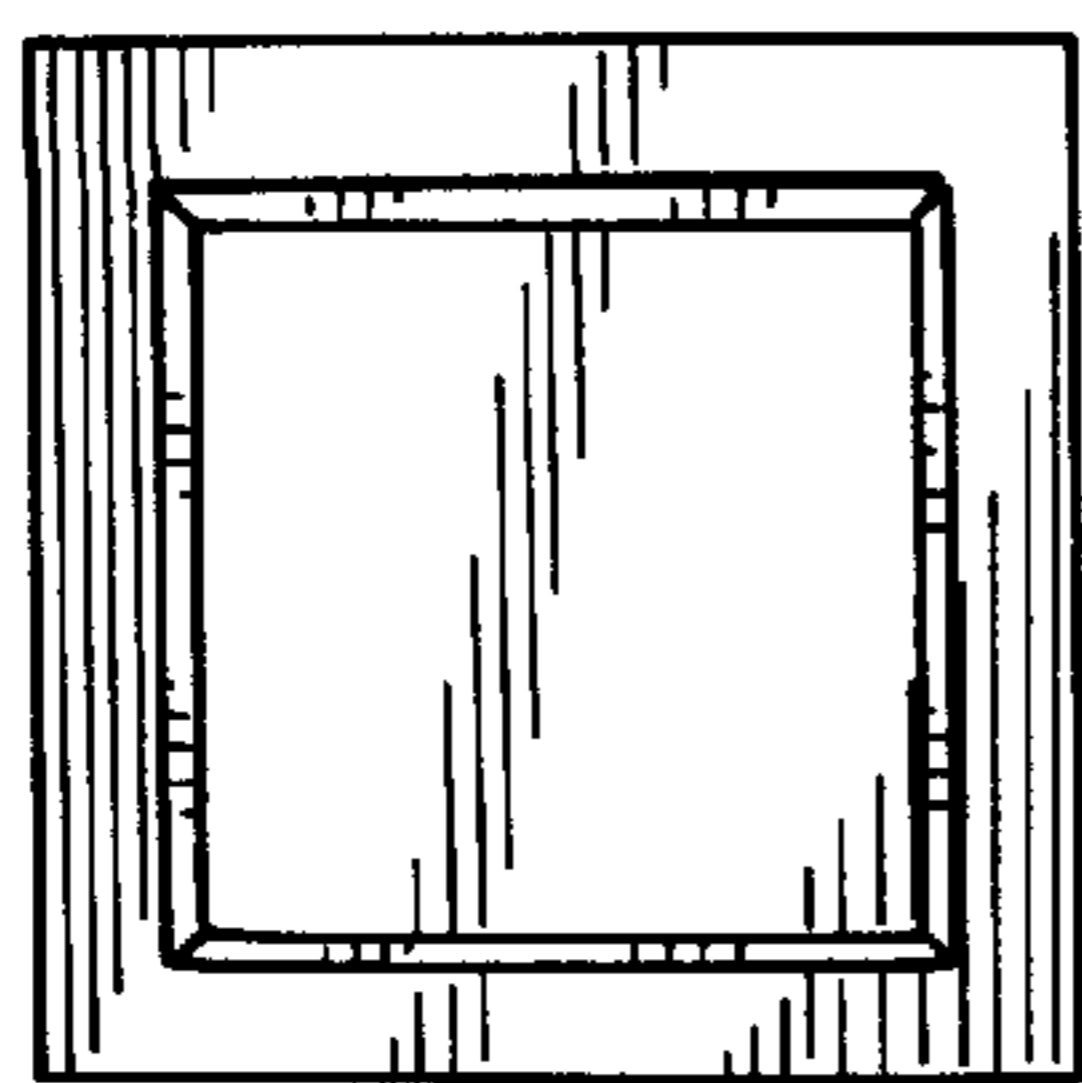


Fig. 7

