



US00D416097S

# United States Patent [19]

Tsutsui

[11] Patent Number: Des. 416,097

[45] Date of Patent: \*\* Nov. 2, 1999

[54] DISCHARGE LAMP

[75] Inventor: Naoki Tsutsui, Yokosuka, Japan

[73] Assignee: Toshiba Lightec Kabushiki Kaisha, Tokyo, Japan

[\*\*] Term: 14 Years

[21] Appl. No.: 29/099,222

[22] Filed: Jan. 15, 1999

### [30] Foreign Application Priority Data

Jul. 21, 1998 [JP] Japan ..... 10-20918

[51] LOC (6) Cl. .... 26-06

[52] U.S. Cl. .... D26/3

[58] Field of Search ..... D26/1, 2, 3, 26;  
313/313, 315, 317, 318, 634; 315/41, 53,  
54, 56, 58, 59, 62, 65, 70, 75; 362/216,  
226

### [56] References Cited

#### U.S. PATENT DOCUMENTS

D. 272,098 1/1984 Haraden et al. .... D26/3  
D. 273,809 5/1984 Chapman et al. .... D26/3

D. 353,899 12/1994 Foo ..... D26/3  
D. 362,733 9/1995 Murata ..... D26/3

Primary Examiner—Marcus A. Jackson  
Attorney, Agent, or Firm—J. Warren Whitesel; Laff,  
Whitesel & Saret

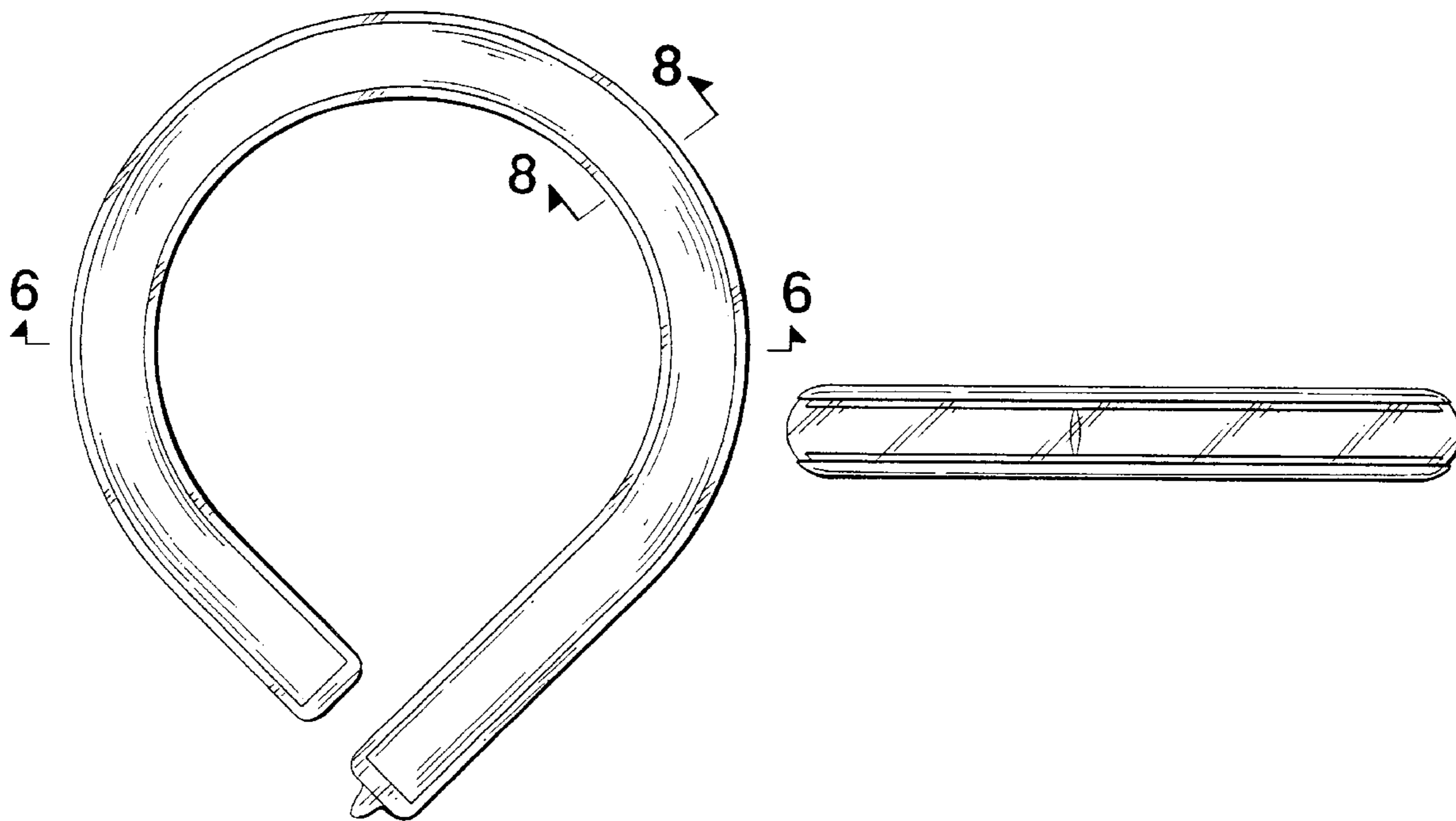
### [57] CLAIM

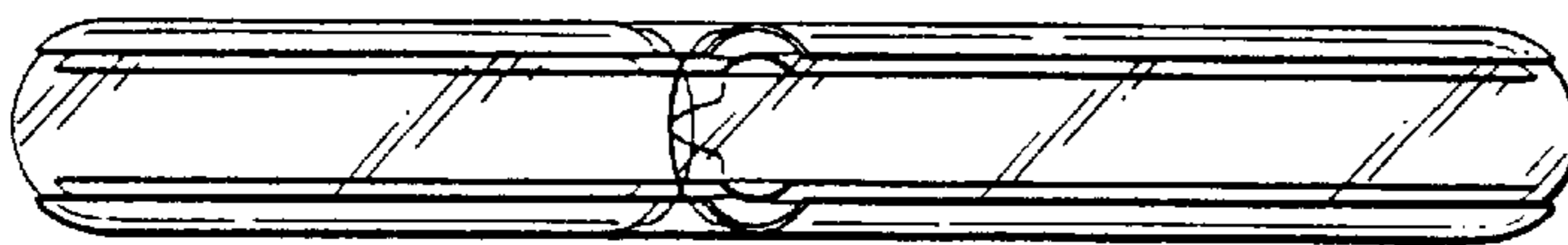
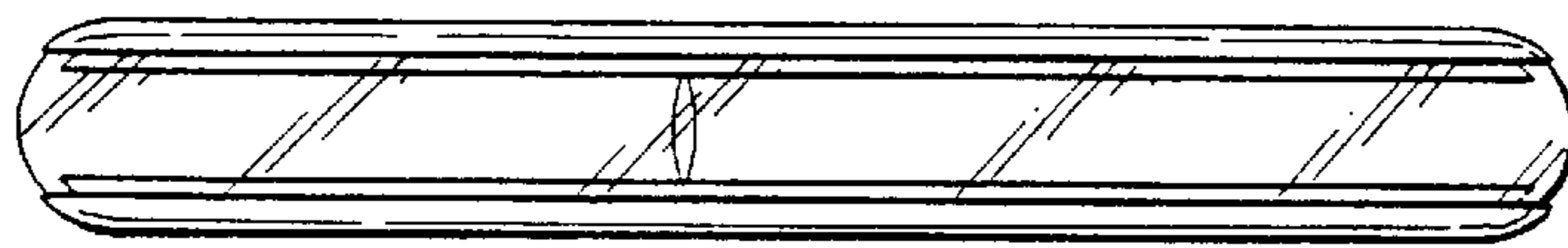
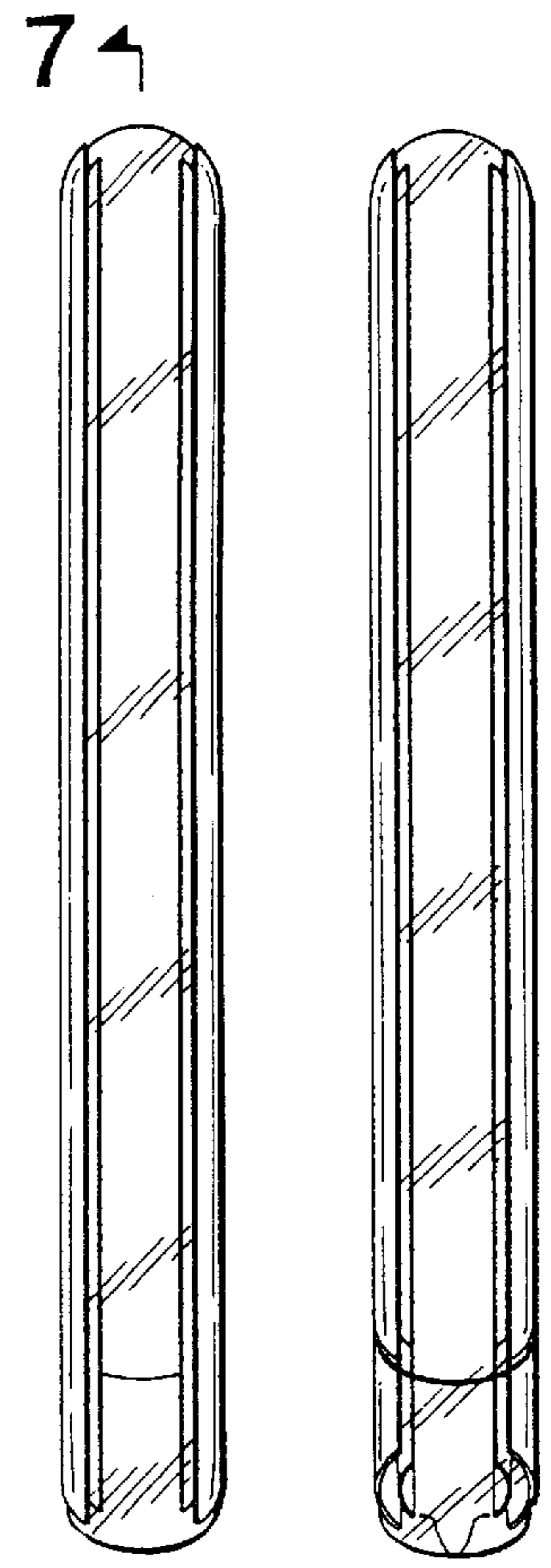
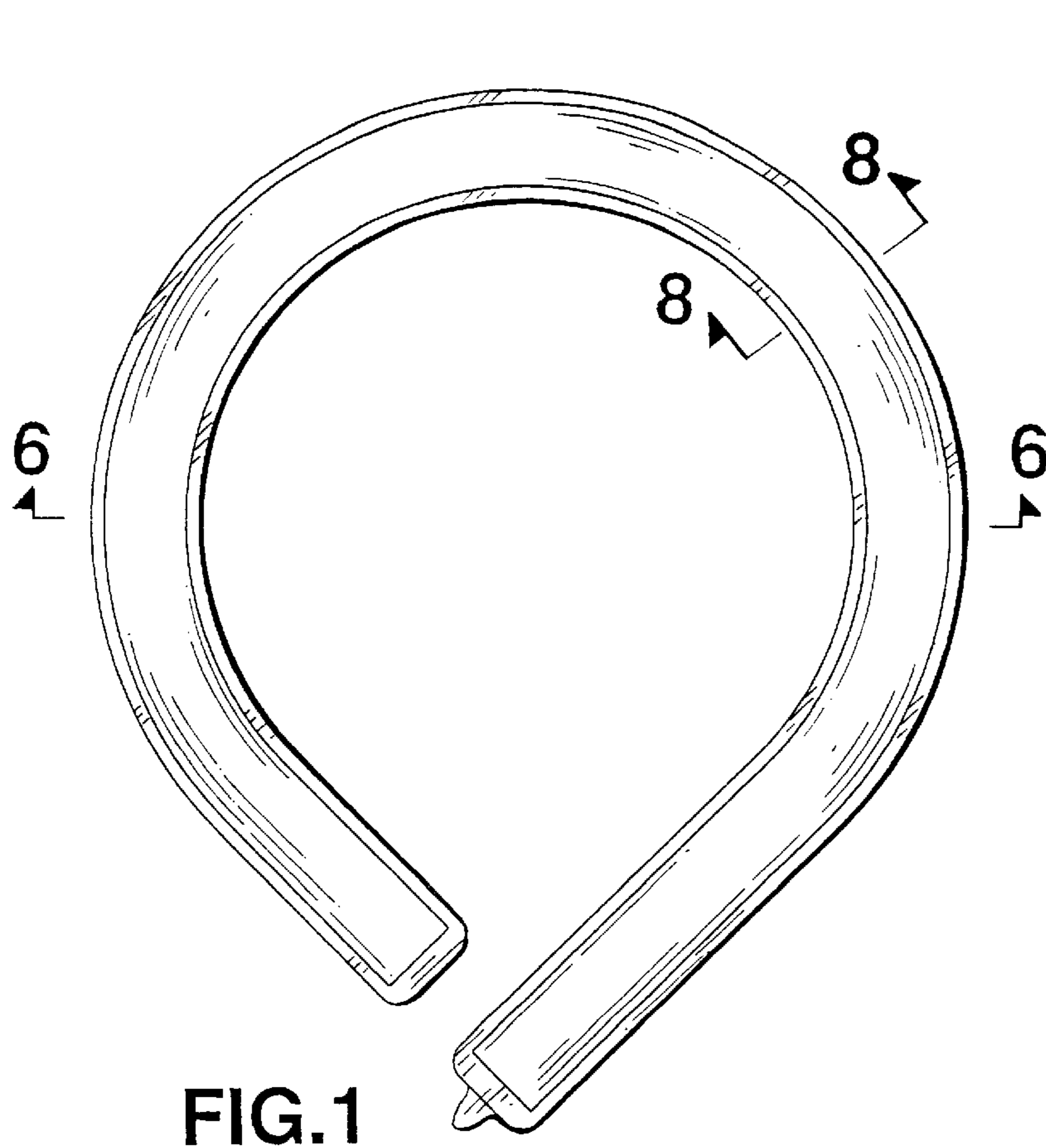
The ornamental design for discharge lamp, as shown and described.

### DESCRIPTION

FIG. 1 is a front elevational view of discharge lamp, showing my new design, the opposite side being a mirror image thereof;  
FIG. 2 is a top plan view thereof;  
FIG. 3 is a bottom plan view thereof;  
FIG. 4 is a right side elevational view thereof;  
FIG. 5 is a left side elevational view thereof;  
FIG. 6 is a cross-sectional view taken along line 6—6 in FIG. 1;  
FIG. 7 is a cross-sectional view taken along line 7—7 in FIG. 7; and,  
FIG. 8 is a enlarged end view taken along line 8—8 in FIG. 1.

1 Claim, 2 Drawing Sheets





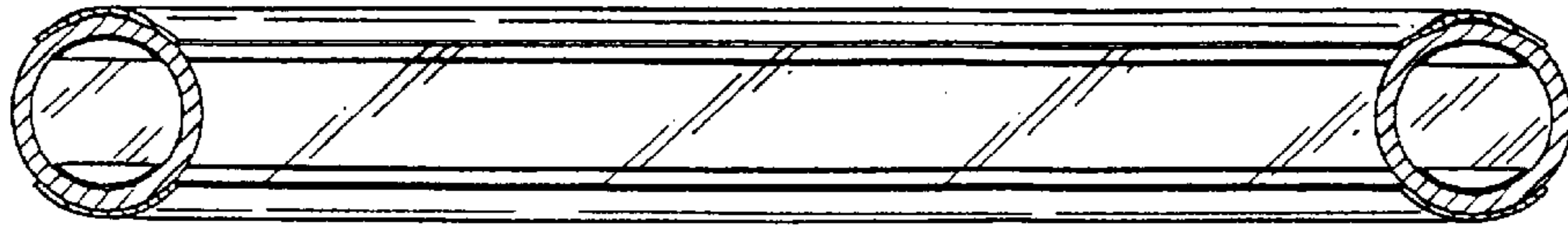


FIG. 6

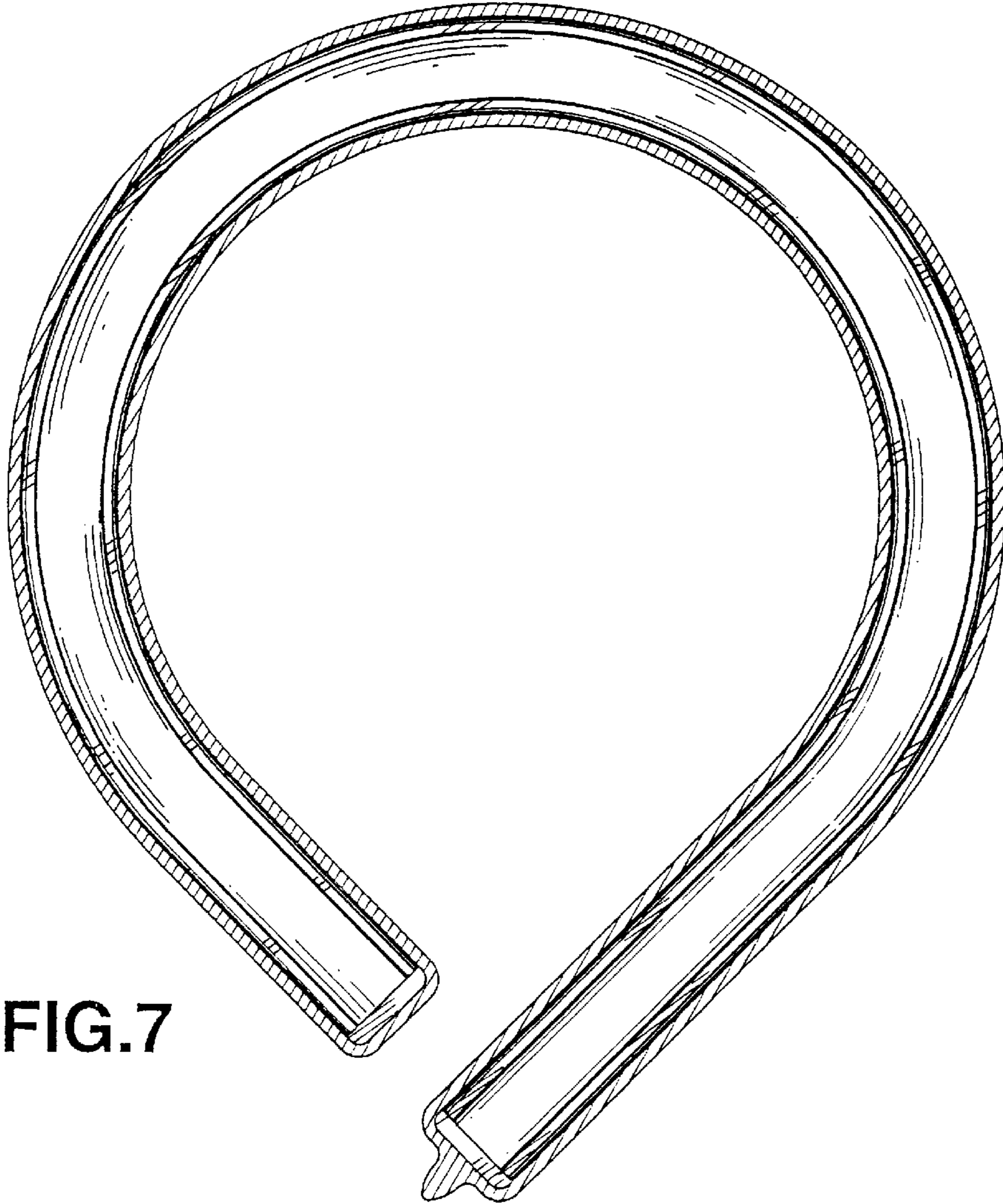


FIG. 7

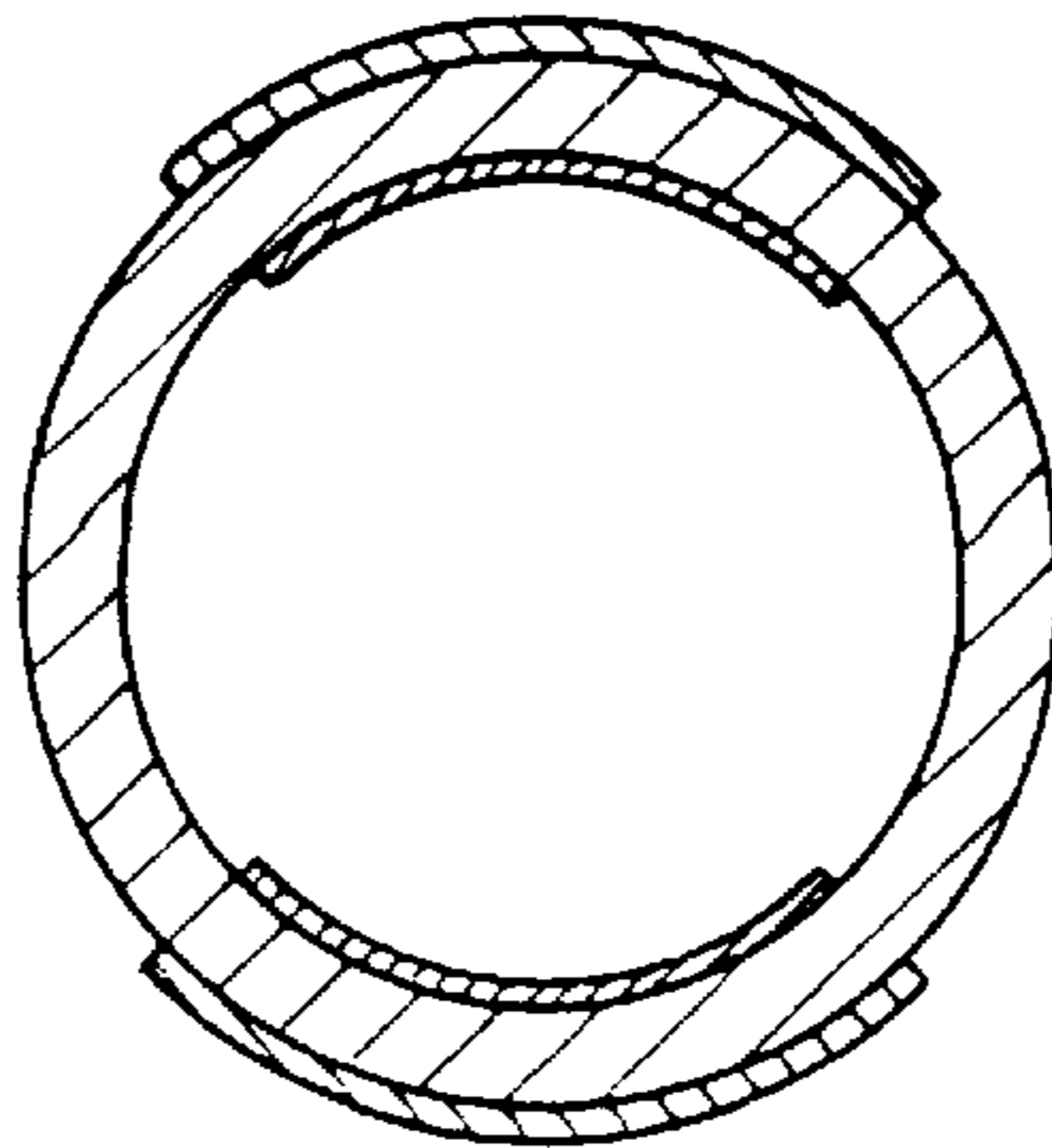


FIG. 8