



US00D416095S

United States Patent [19] Goss

[11] **Patent Number: Des. 416,095**

[45] **Date of Patent: ** Nov. 2, 1999**

[54] **WINDOW COMPONENT EXTRUSION**

D. 357,987 5/1995 Franson D25/124
D. 384,425 9/1997 Goss D25/124

[75] Inventor: **Lorane Goss**, Slippery Rock, Pa.

[73] Assignee: **Mikron Industries, Inc.**, Kent, Wash.

[**] Term: **14 Years**

Primary Examiner—Doris Clark
Attorney, Agent, or Firm—Richardson & Folise

[21] Appl. No.: **29/089,917**

[22] Filed: **Jun. 25, 1998**

[57] **CLAIM**

The ornamental design for a window component extrusion, as shown and described.

[51] **LOC (6) Cl.** **25-01**

[52] **U.S. Cl.** **D25/124**

[58] **Field of Search** D25/124, 52, 60,
D25/125; 52/204.1, 205.1, 474-476; 49/DIG. 1,
DIG. 2, 504-505

DESCRIPTION

FIG. 1 is a top right perspective view of the window component extrusion which is broken in the center indicating indefinite length; and,

FIG. 2 is a bottom left perspective view of the window component extrusion shown in FIG. 1.

[56] **References Cited**

U.S. PATENT DOCUMENTS

D. 357,986 5/1995 Schrader D25/124

1 Claim, 1 Drawing Sheet

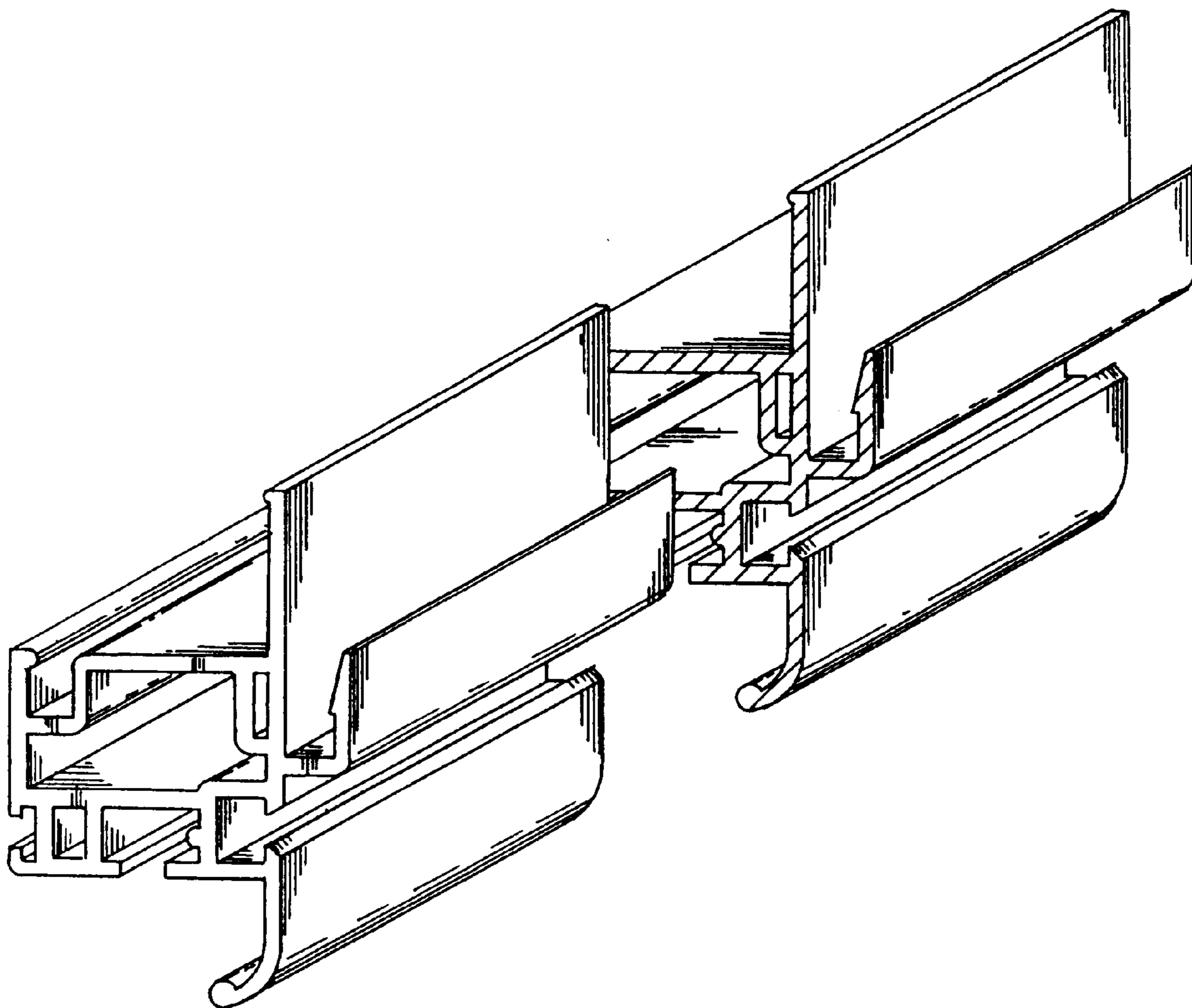


FIG. 1

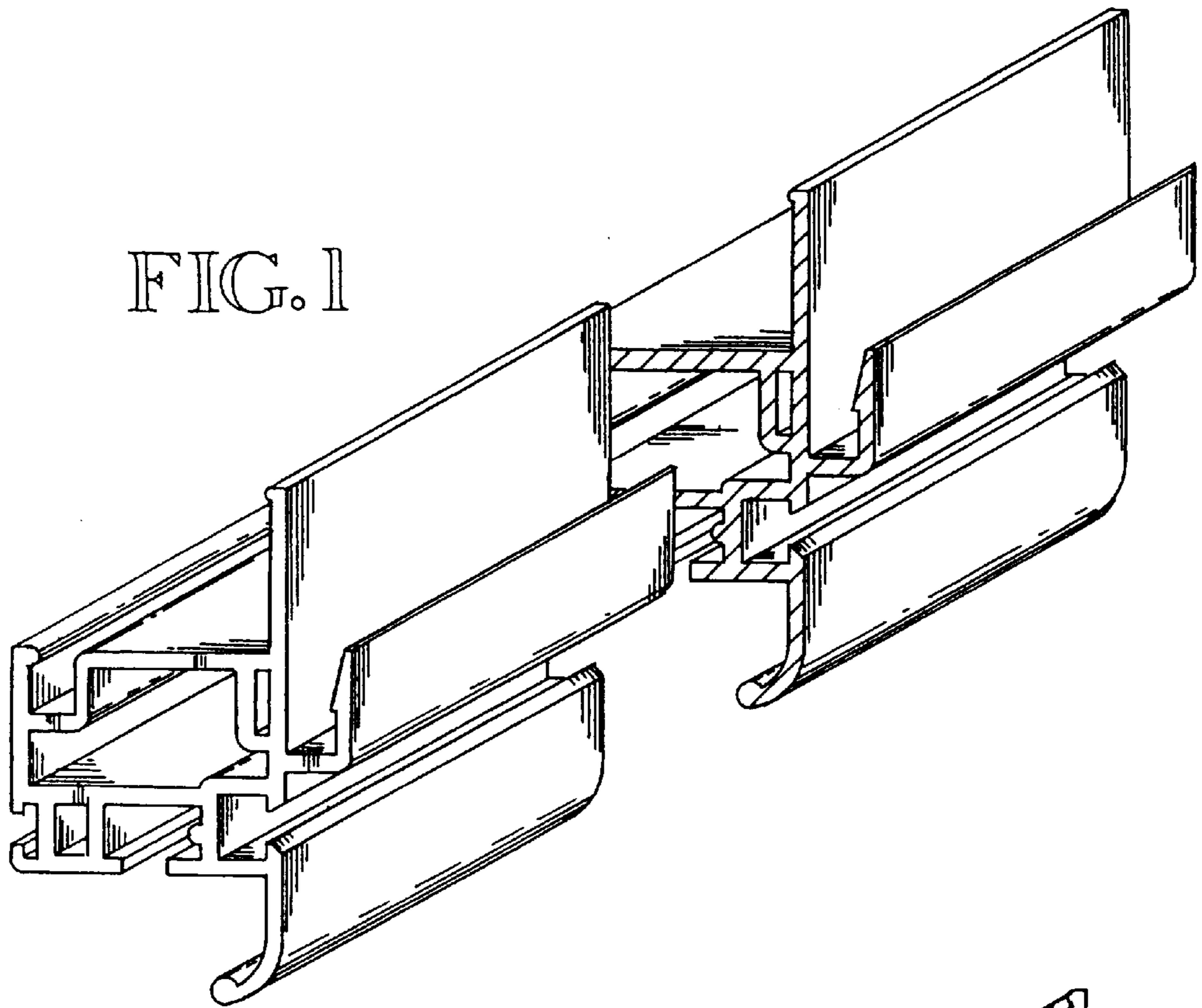


FIG. 2

