



US00D416093S

United States Patent [19] Whitson

[11] **Patent Number: Des. 416,093**

[45] **Date of Patent: ** Nov. 2, 1999**

[54] **DECORATIVE EDGING BLOCK**

5,249,884 10/1993 Widmer 404/42

[75] Inventor: **Robert L. Whitson**, West Bend, Wis.

Primary Examiner—Louis S. Zarfes

Assistant Examiner—Robert Delehanty

[73] Assignee: **Bend Industries, Inc.**, Milwaukee, Wis.

Attorney, Agent, or Firm—Jeffrey S. Sokol; Sokol Law Office

[**] Term: **14 Years**

[57] **CLAIM**

[21] Appl. No.: **29/092,264**

The ornamental design for a decorative edging block, as shown and described.

[22] Filed: **Aug. 14, 1998**

DESCRIPTION

[51] **LOC (6) Cl.** **25-01**

[52] **U.S. Cl.** **D25/113**

[58] **Field of Search** D25/112-118;
52/596-605, 608-612; 404/17-20, 27-30,
34, 37-39, 42; 405/284-286; D21/284,
289, 292, 293

FIG. 1 is an isometric view of a decorative edging block incorporating my new design;

FIG. 2 is a top plan view thereof;

FIG. 3 is a left side elevation view thereof, the right side elevation view being a mirror image;

FIG. 4 is a rear end view thereof;

FIG. 5 is a front end view thereof; and,

FIG. 6 is a bottom plan view thereof.

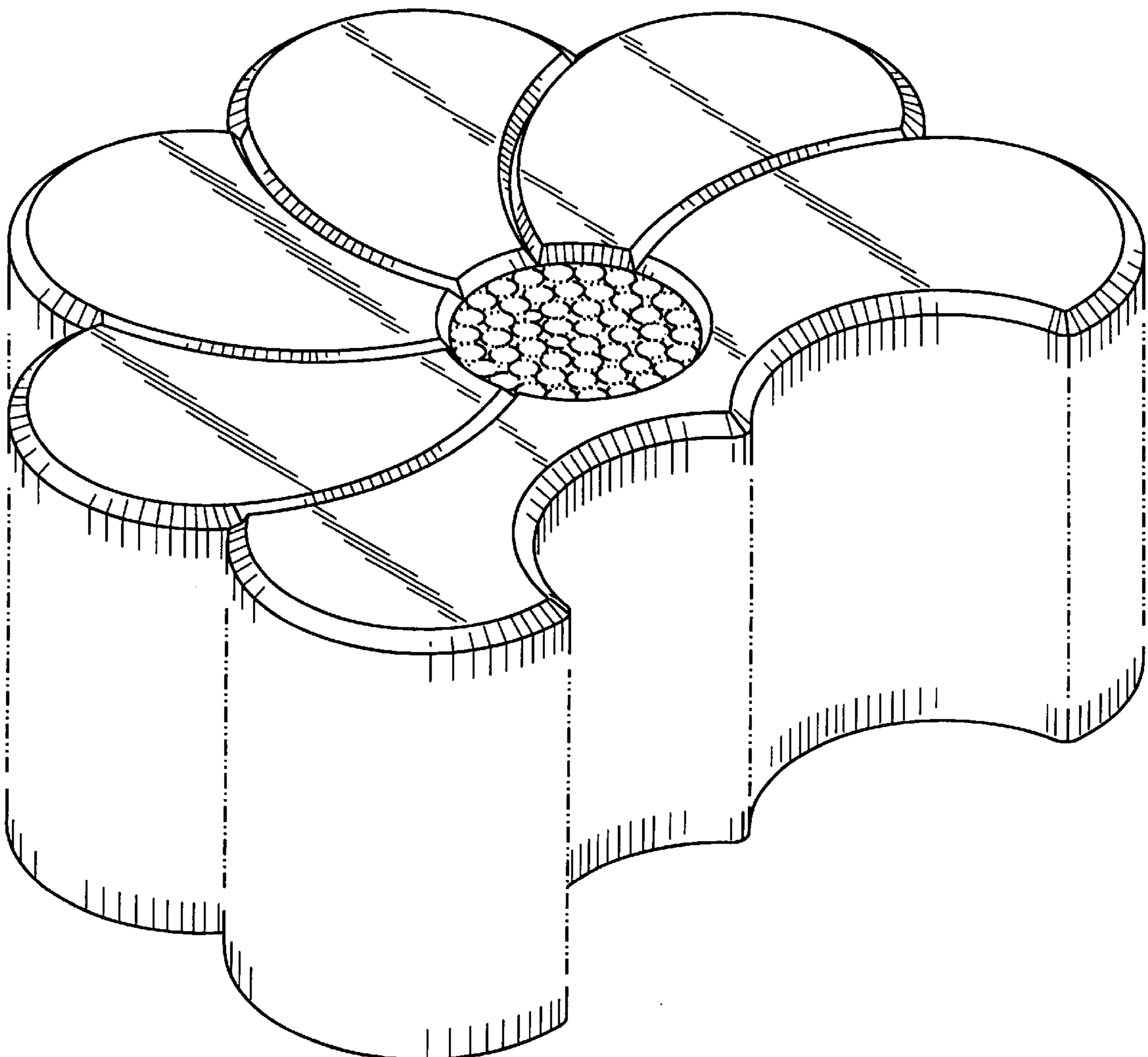
The broken line showing of the environment is for illustrative purposes only and forms no part of the claimed design.

[56] **References Cited**

U.S. PATENT DOCUMENTS

121,651	12/1871	Moore	404/42
1,689,164	10/1928	Sylvester	404/17
5,201,602	4/1993	Rapasky	404/42

1 Claim, 3 Drawing Sheets



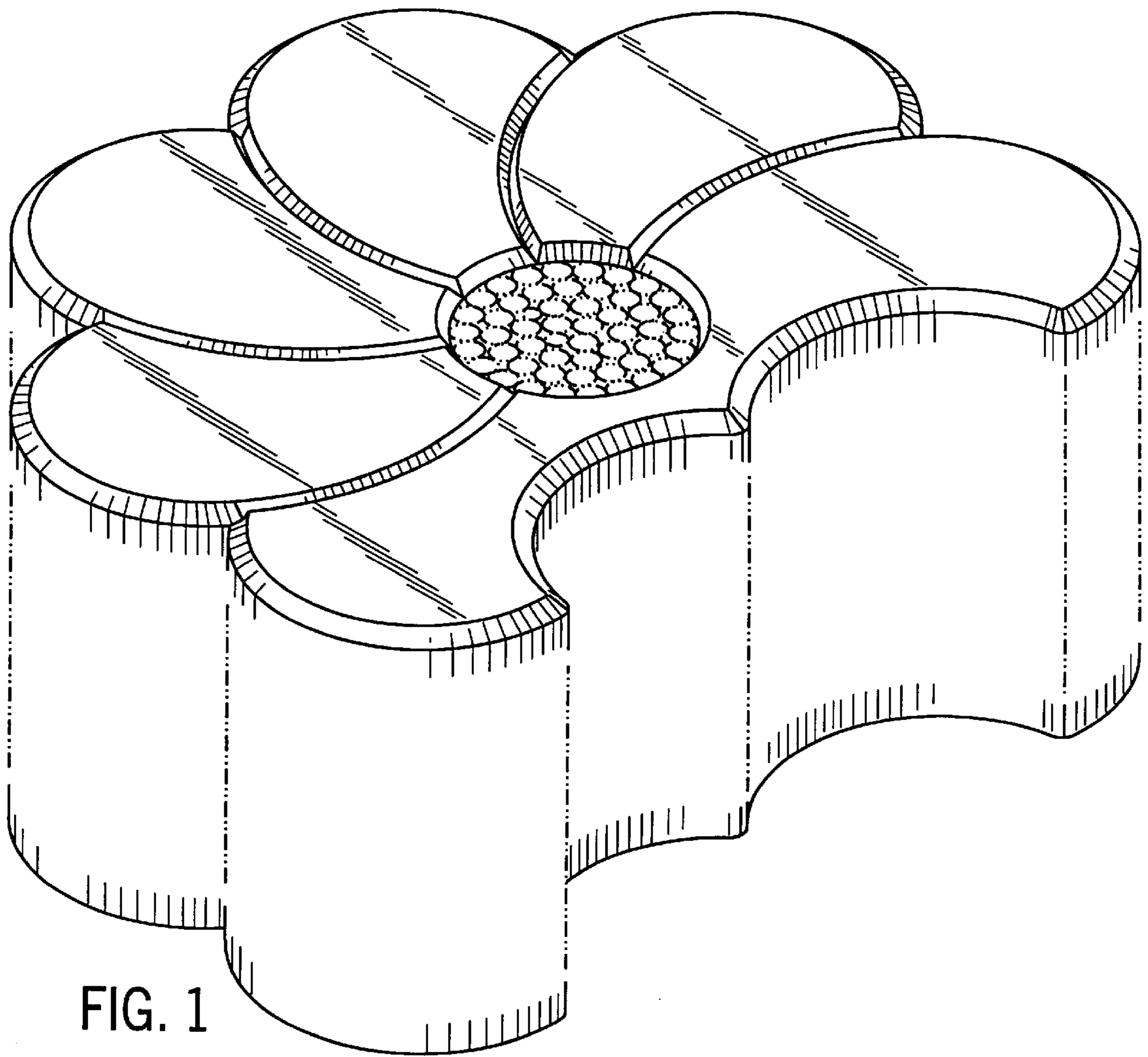


FIG. 1

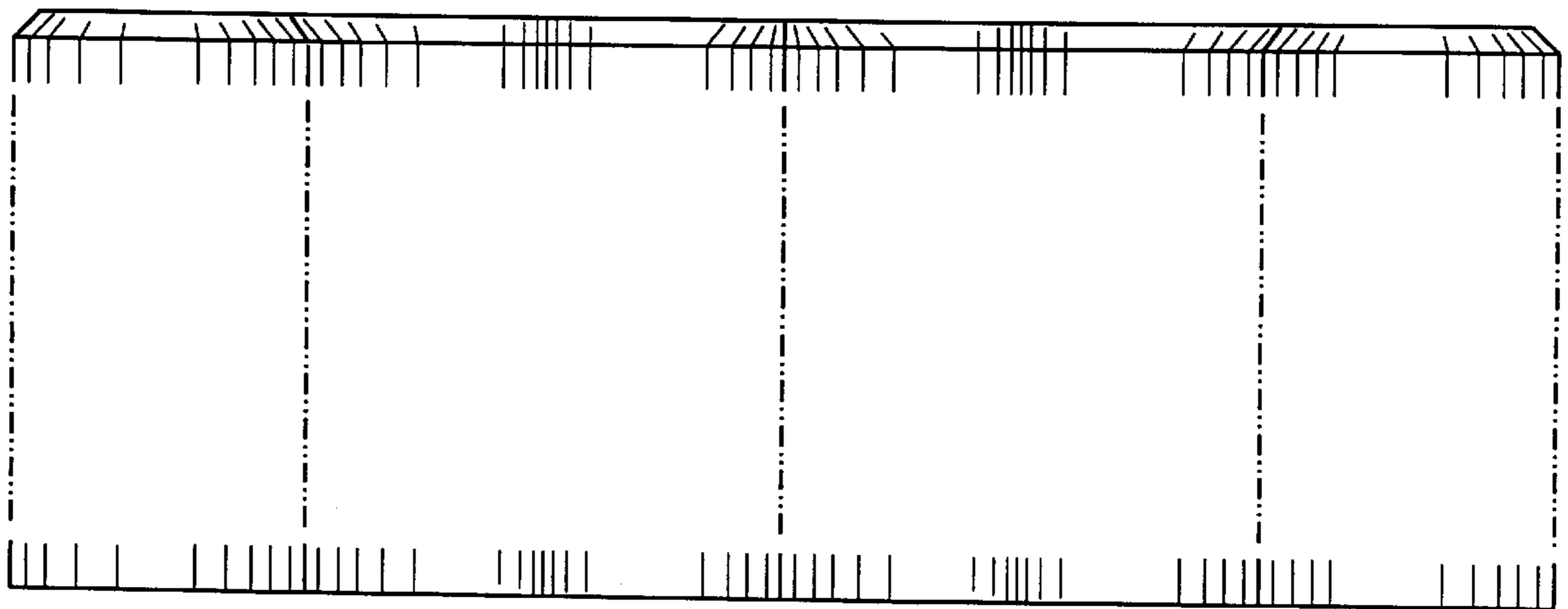


FIG. 4

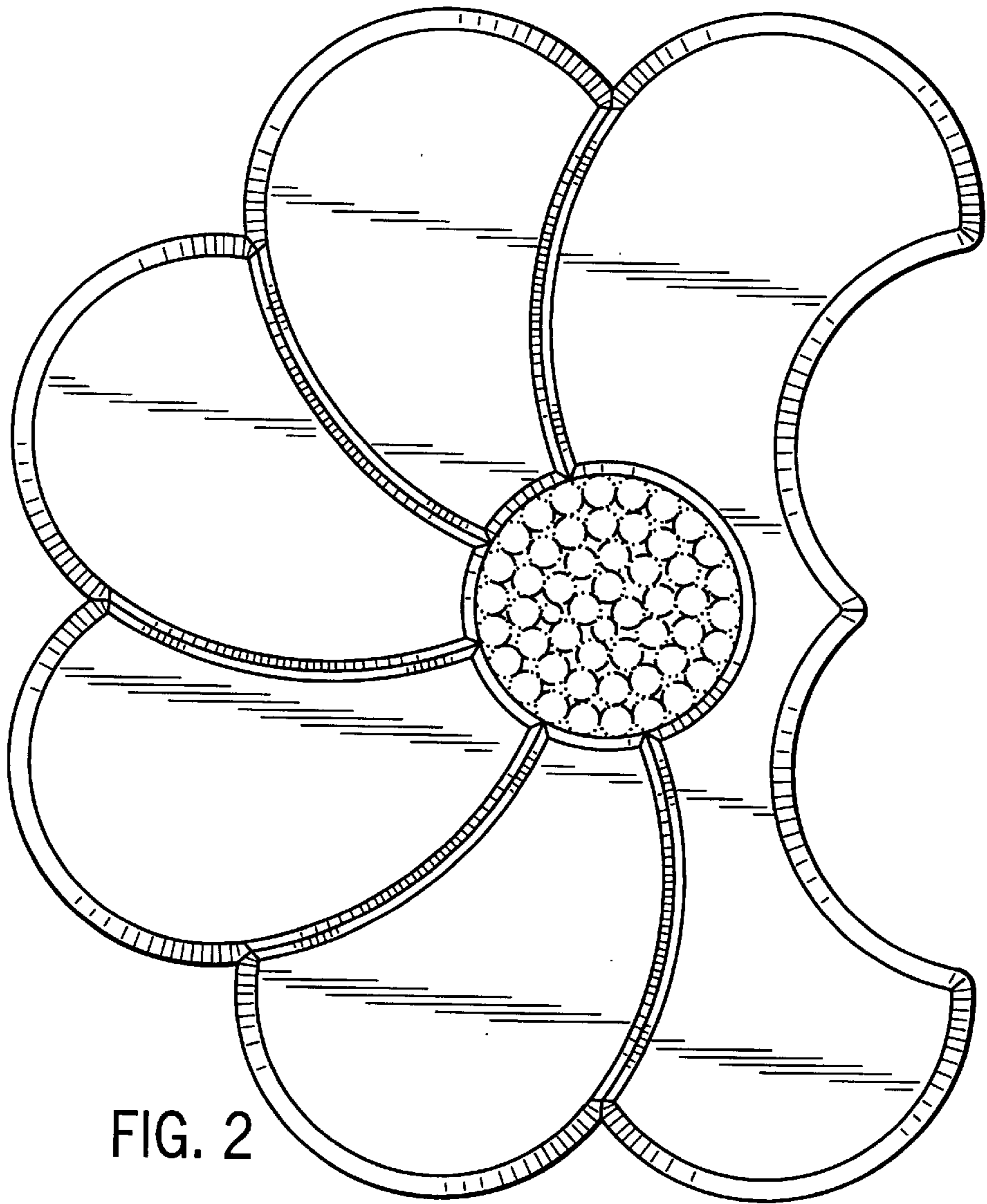


FIG. 2

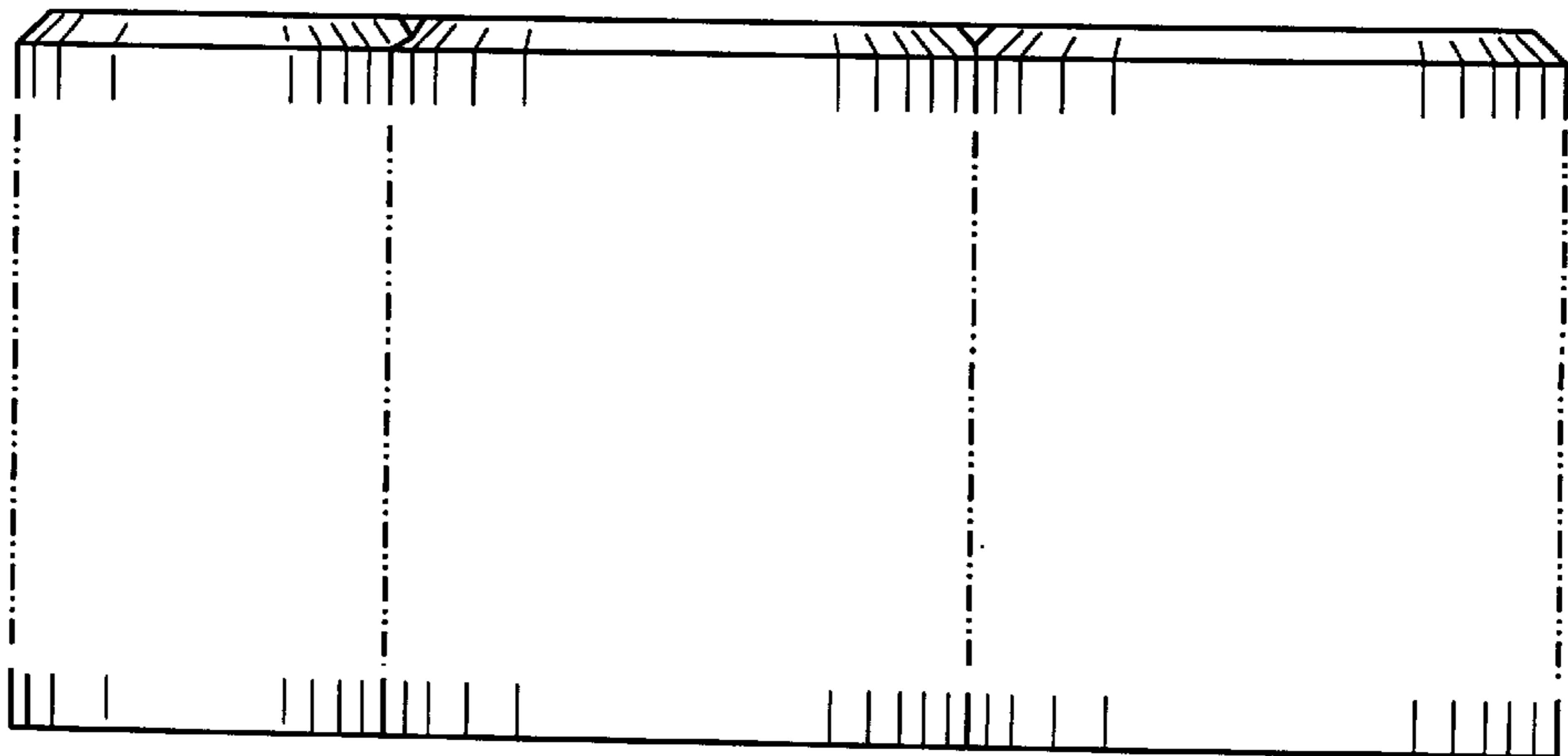


FIG. 3

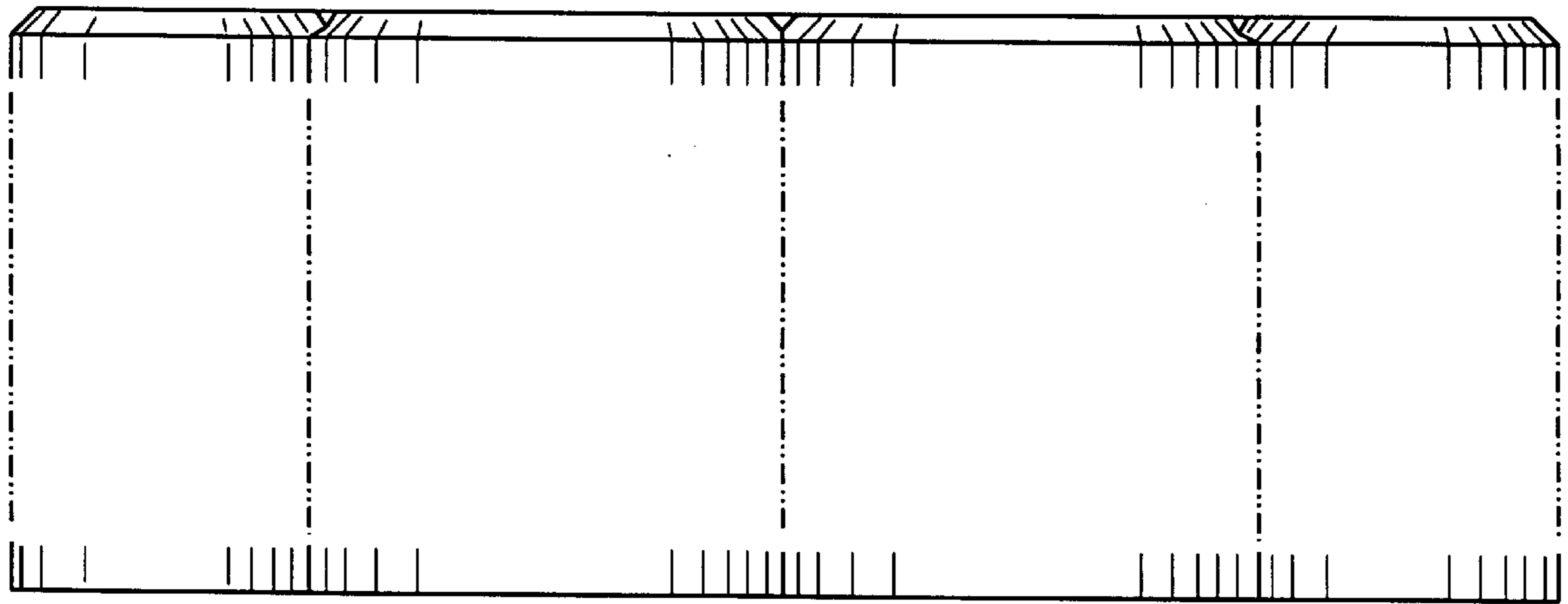


FIG. 5

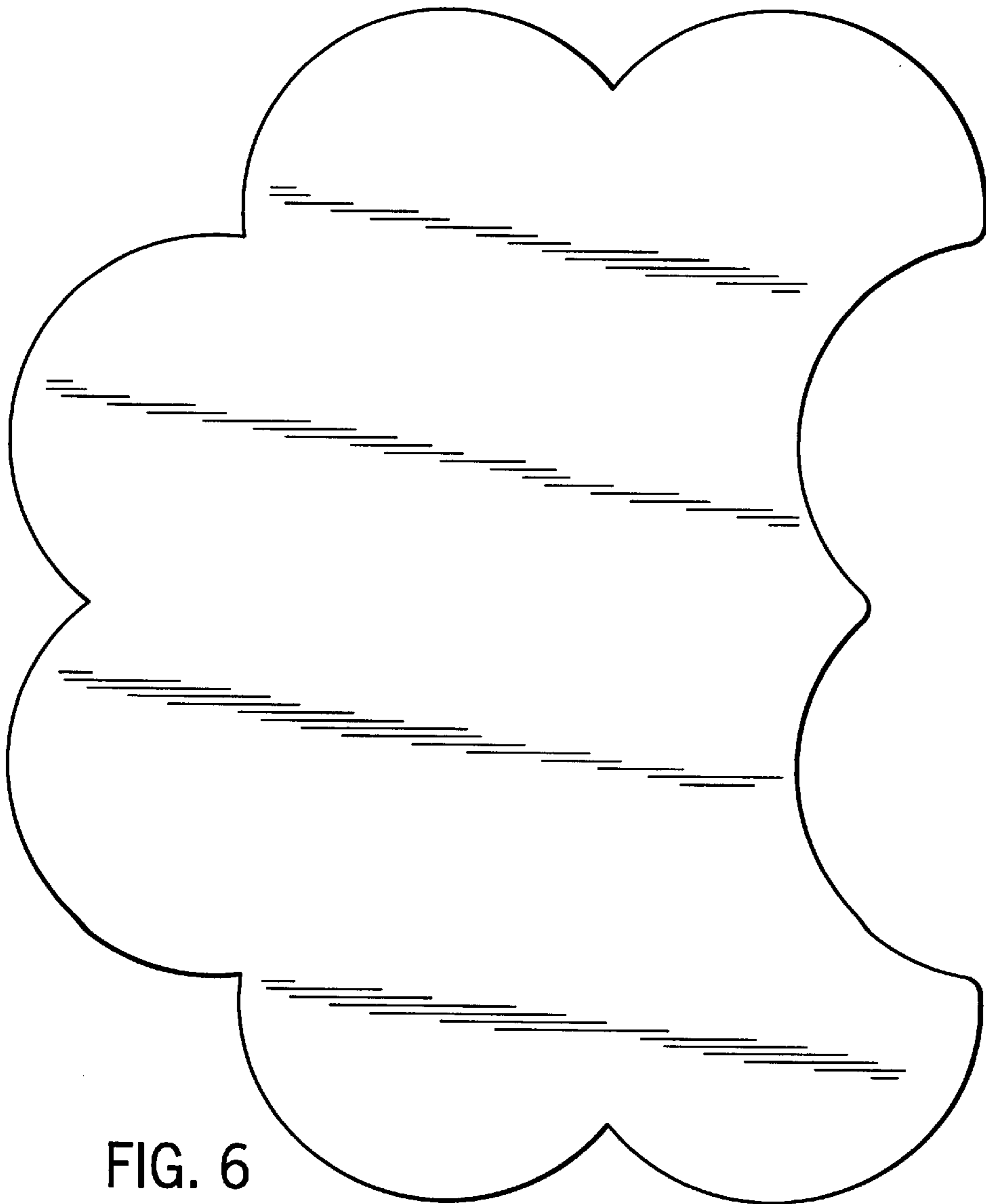


FIG. 6