



US00D416089S

United States Patent [19]

[11] Patent Number: **Des. 416,089**

Barton et al.

[45] Date of Patent: **** Nov. 2, 1999**

[54] **ENDOSCOPIC LINEAR STAPLING AND DIVIDING SURGICAL INSTRUMENT**

[75] Inventors: **Scott Nielsen Barton**, Grand Rapids;
Douglas J. Medema, Belding, both of Mich.

[73] Assignee: **Richard-Allan Medical Industries, Inc.**, Richland, Mich.

[**] Term: **14 Years**

[21] Appl. No.: **29/052,573**

[22] Filed: **Apr. 8, 1996**

[51] **LOC (6) Cl.** **24-02**

[52] **U.S. Cl.** **D24/145**

[58] **Field of Search** D24/145; 606/143,
606/144, 142, 151, 167, 139, 46; 227/901,
902, 171.1

[56] **References Cited**

U.S. PATENT DOCUMENTS

D. 332,660	1/1993	Ramson et al.	D24/145
D. 347,474	5/1994	Olson	D24/145
D. 357,981	5/1995	Green et al.	D24/145
4,296,881	10/1981	Lee	227/30
4,304,236	12/1981	Conta et al.	128/325
4,354,628	10/1982	Green	227/19
4,383,634	5/1983	Green	227/19
4,530,453	7/1985	Green	227/19
4,566,620	1/1986	Green et al.	227/19
5,084,057	1/1992	Green et al.	606/142
5,100,042	3/1992	Gravener et al.	227/176
5,137,198	8/1992	Nobis et al.	227/19
5,190,203	3/1993	Rodak	227/175
5,240,163	8/1993	Stein et al.	227/175
5,289,963	3/1994	McGarry et al.	227/175
5,307,976	5/1994	Olson et al.	227/178
5,312,023	5/1994	Green et al.	227/175
5,318,221	6/1994	Green et al.	227/178
5,376,095	12/1994	Ortiz	606/143

5,381,943	1/1995	Allen et al.	227/177
5,409,498	4/1995	Braddock et al.	606/143
5,423,471	6/1995	Mastri et al.	227/181
5,431,323	7/1995	Smith et al.	227/177
5,447,513	9/1995	Davison et al.	606/143
5,449,365	9/1995	Green et al.	606/142
5,452,836	9/1995	Huitema et al.	227/176
5,465,894	11/1995	Clark et al.	227/175
5,465,895	11/1995	Knodel et al.	227/176
5,478,003	12/1995	Green et al.	227/176
5,542,949	8/1996	Yoon	606/142

FOREIGN PATENT DOCUMENTS

0324635A1	1/1989	European Pat. Off.	A61B 17/10
0625335A1	4/1994	European Pat. Off.	A61B 17/072
0674876A2	3/1995	European Pat. Off.	A61B 17/072

Primary Examiner—Doris Clark
Attorney, Agent, or Firm—Howard & Howard

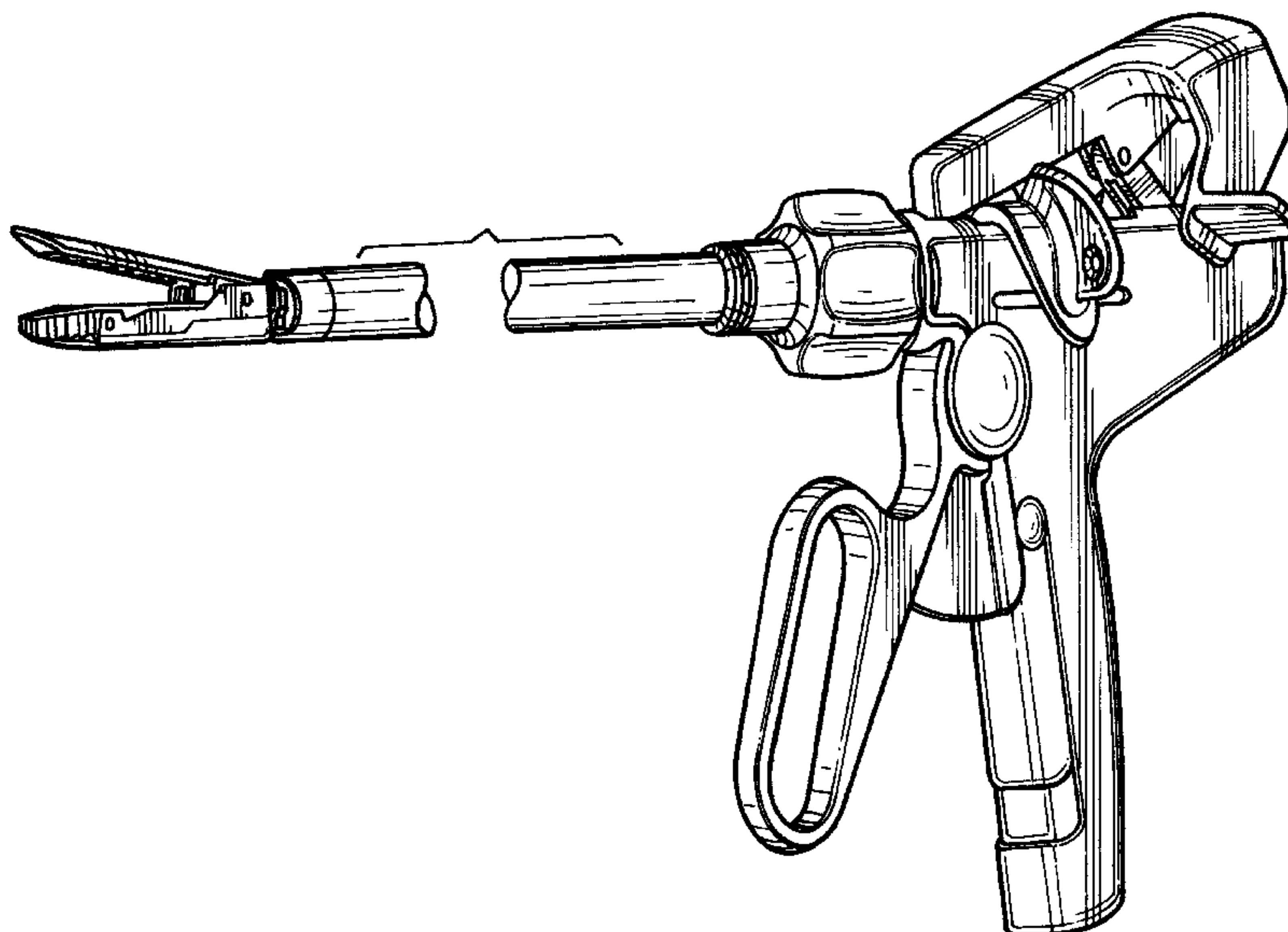
[57] **CLAIM**

I claim the ornamental design for an endoscopic linear stapling and dividing surgical instrument, as shown and described.

DESCRIPTION

FIG. 1 is a front, left side perspective view of an endoscopic linear stapling and dividing surgical instrument showing our new design being in its open-jaw, safety-activated position, the shaft being broken in the center to simplify the depiction of the design;
FIG. 2 is a left elevational view thereof, the instrument being in its first safety-deactivated position;
FIG. 3 is a left elevational view thereof, the endoscopic linear stapling and dividing surgical instrument being in its closed-jaw, second safety-deactivated position, the right elevational view thereof being identical;
FIG. 4 is a front elevational view thereof;
FIG. 5 is a rear elevational view thereof;
FIG. 6 is a top plan view thereof; and,
FIG. 7 is a bottom plan view thereof.

1 Claim, 5 Drawing Sheets



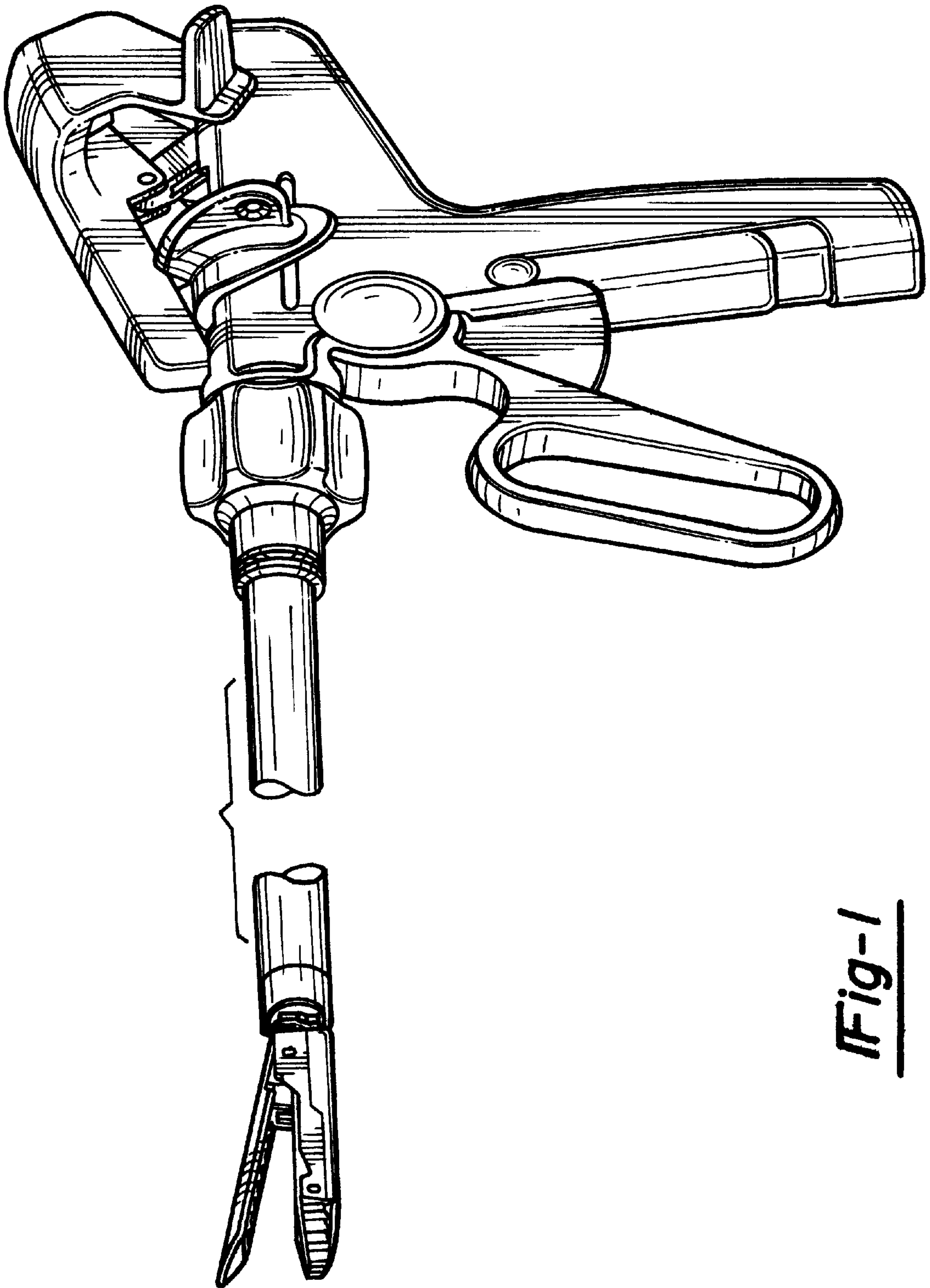


Fig-1

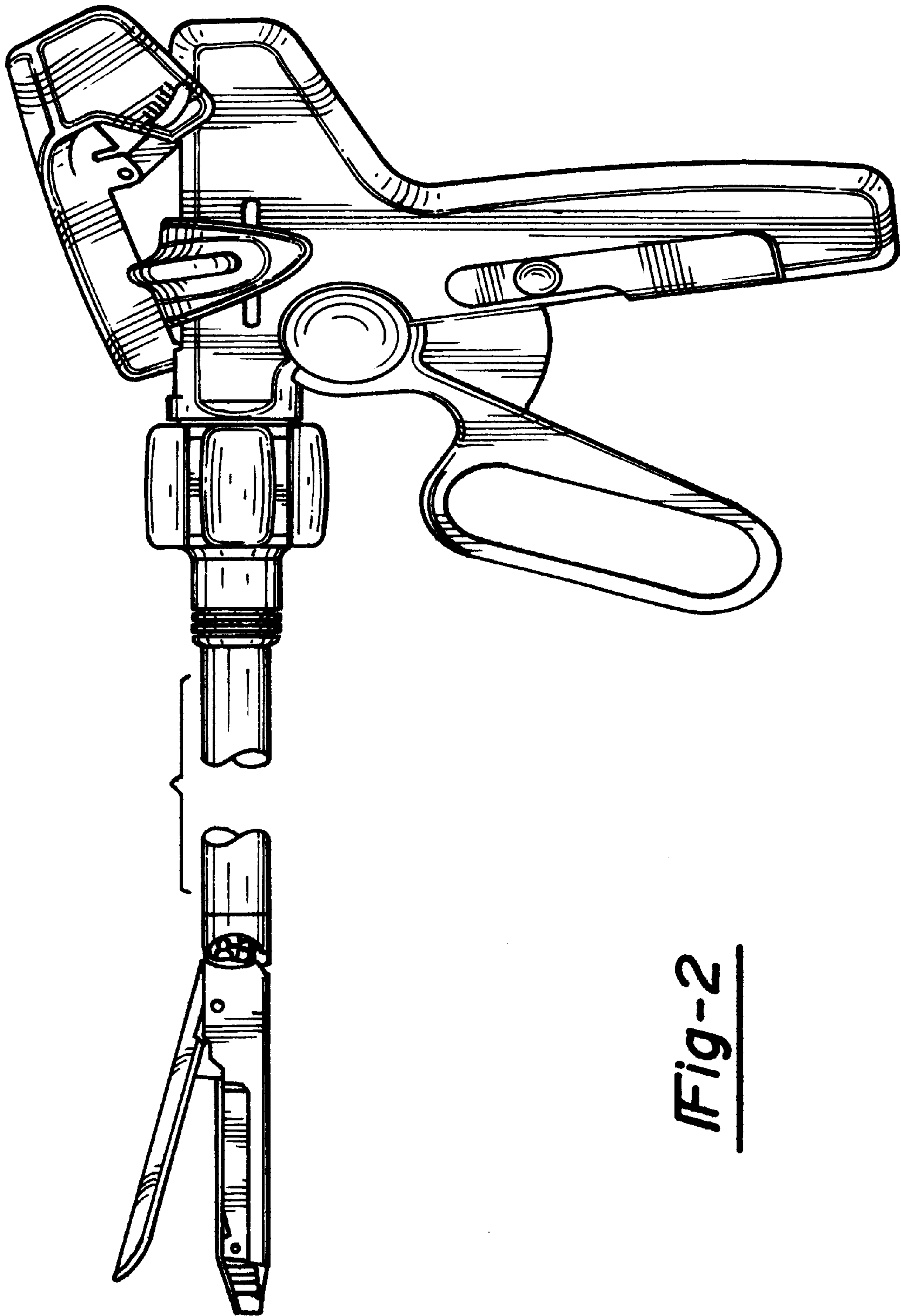


Fig-2

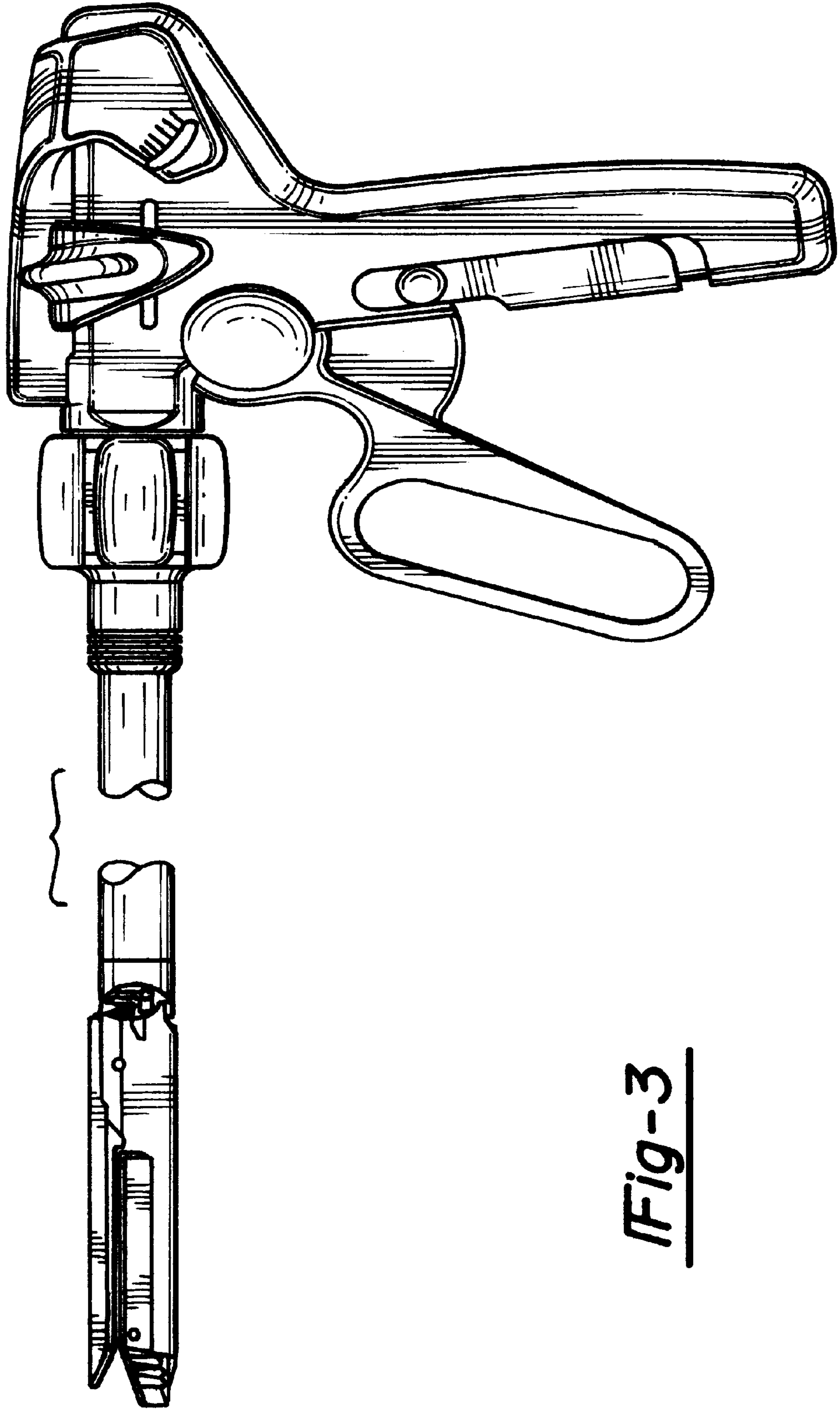


Fig-3

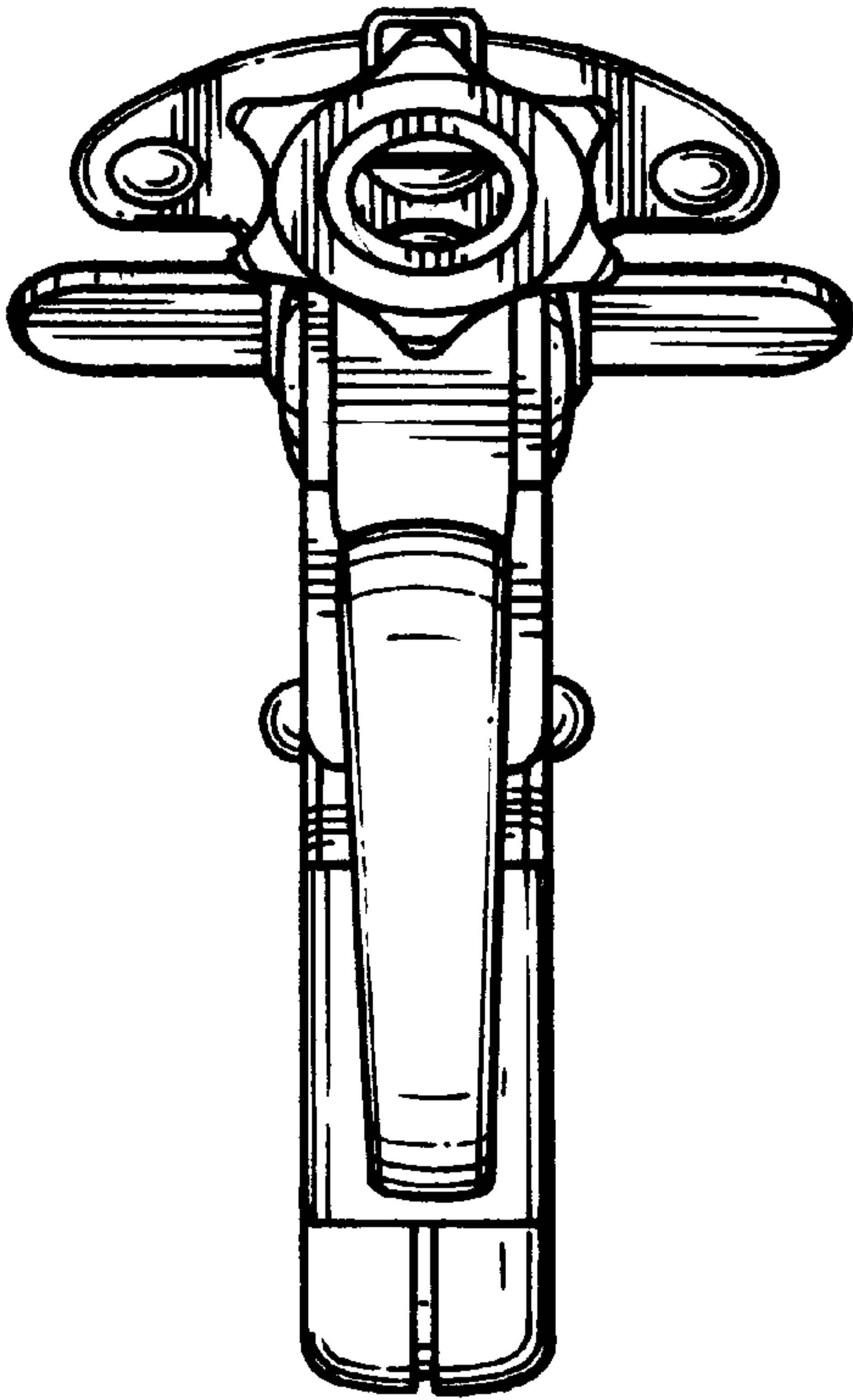


Fig-4

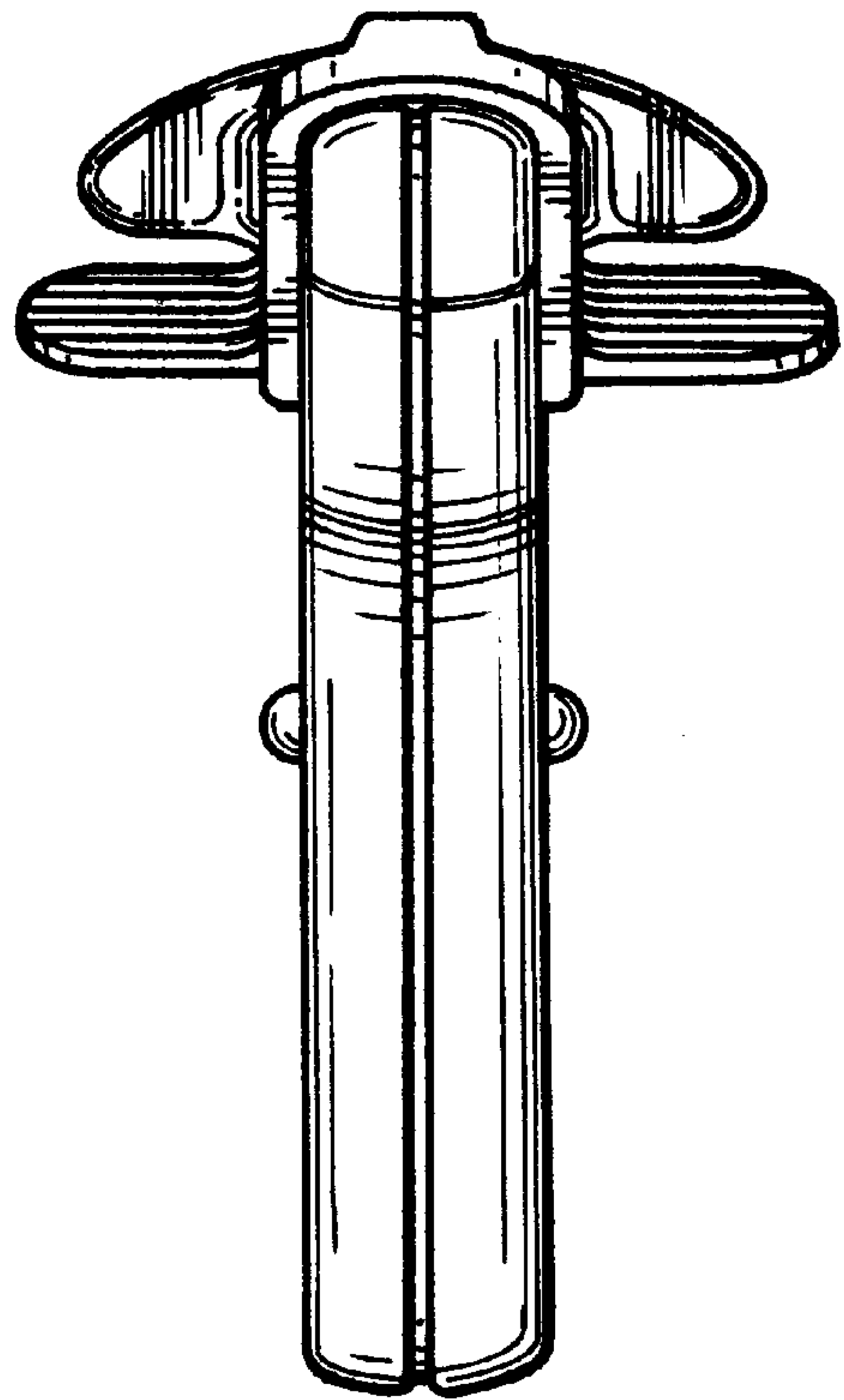


Fig-5

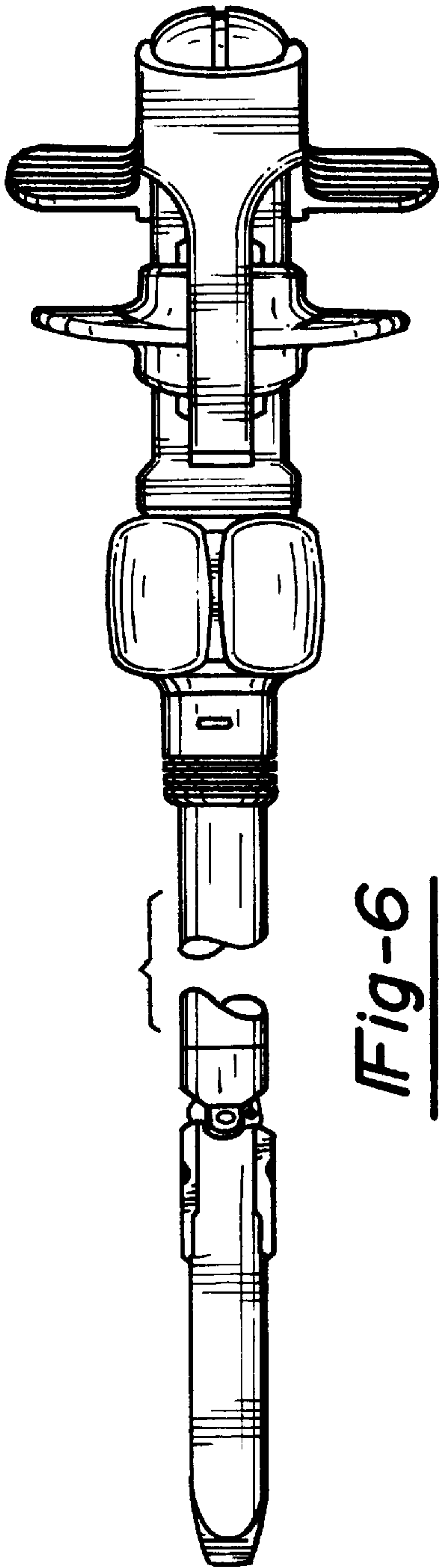


Fig-6

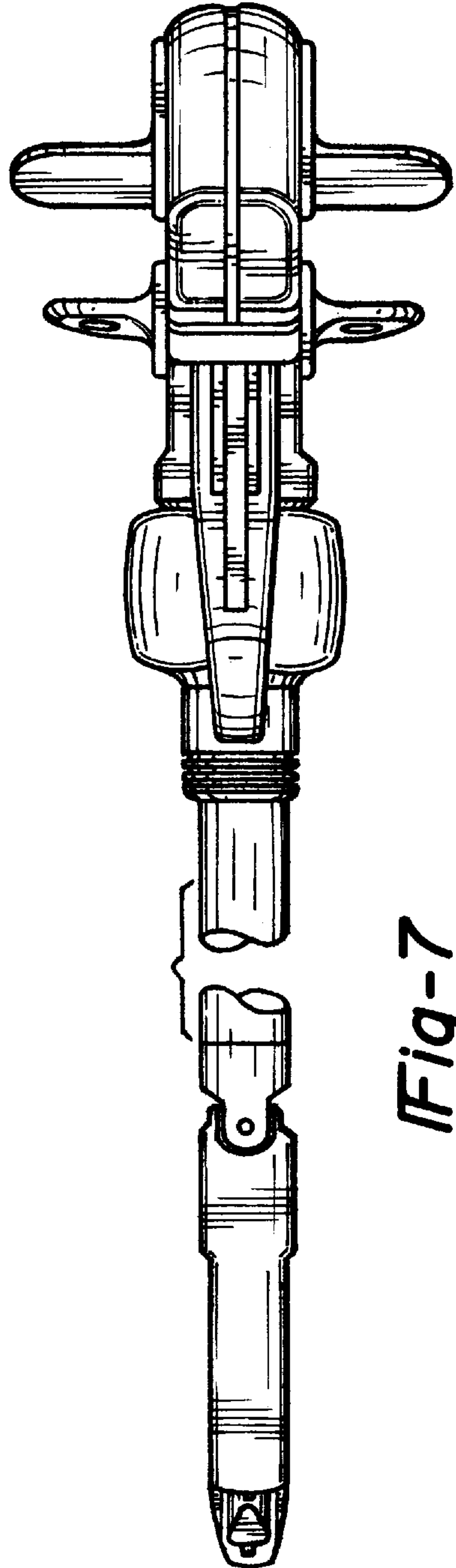


Fig-7