



US00D416087S

United States Patent [19] King

[11] Patent Number: **Des. 416,087**

[45] Date of Patent: **** Nov. 2, 1999**

[54] **TWO BARREL POWER VACCINATOR**

4,642,095 2/1987 Dettbarn et al. 604/68

[75] Inventor: **Bruce Allen King**, Sioux Center, Iowa

Primary Examiner—Louis S. Zarfes

Assistant Examiner—I Simmons

[73] Assignee: **Boehringer Ingelheim Vetmedica, Inc.**, St. Joseph, Mo.

Attorney, Agent, or Firm—R. P. Raymond; M-E. M. Devlin; A. R. Stempel

[**] Term: **14 Years**

[57] CLAIM

[21] Appl. No.: **29/089,159**

The ornamental design for the two barrel power vaccinator, as shown.

[22] Filed: **Jun. 9, 1998**

DESCRIPTION

[51] **LOC (6) Cl.** **24-02**

FIG. 1 is a front perspective view of the two barrel power vaccinator according to my design;

[52] **U.S. Cl.** **D24/114; D24/113**

FIG. 2 is a right side view of my design which is a mirror image of the left side view;

[58] **Field of Search** D24/113, 114, D24/112; 604/68, 69, 70, 191, 110

FIG. 3 is a front view of my design;

FIG. 4 is a top view of my design;

FIG. 5 is a bottom view of my design; and,

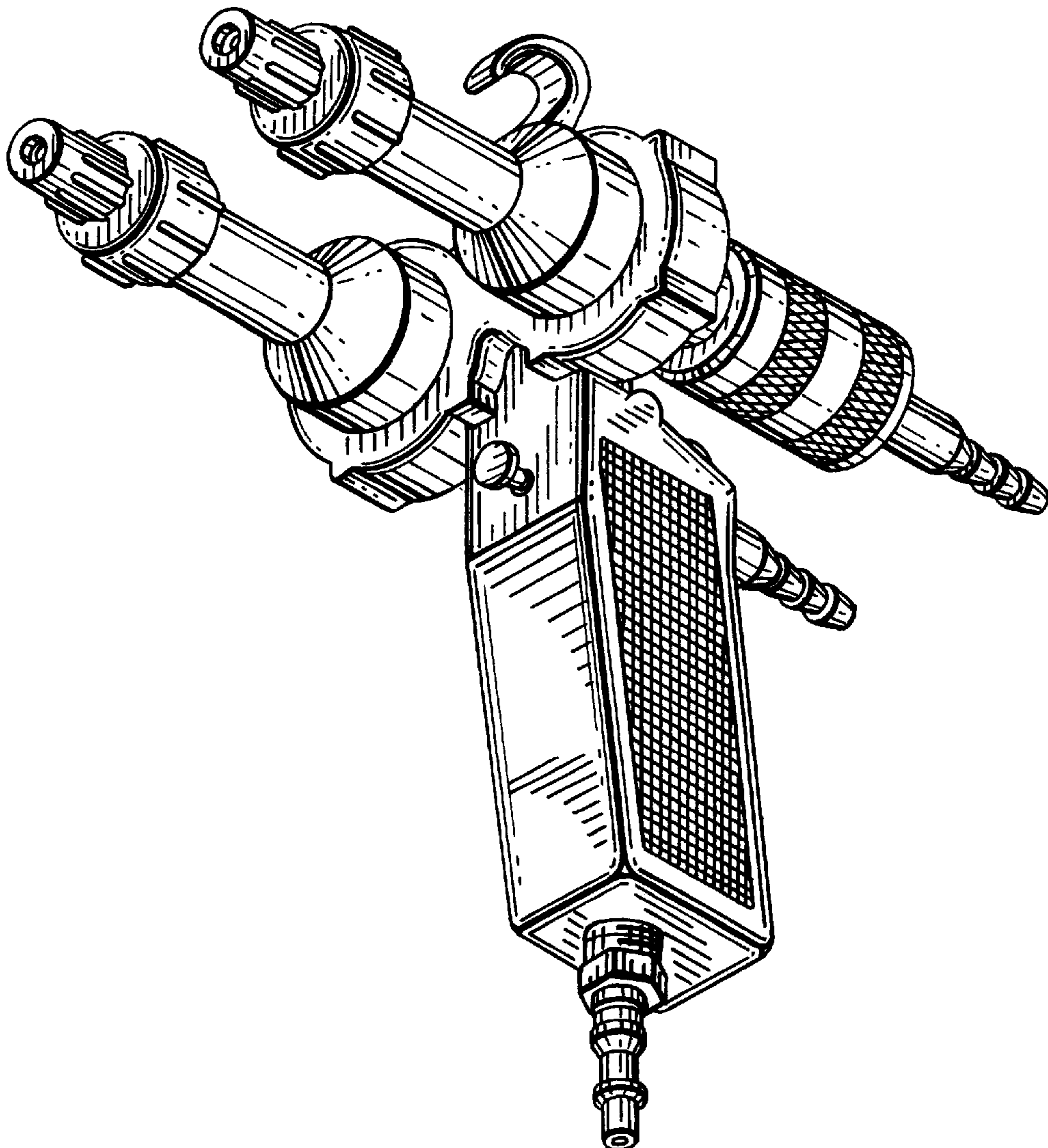
FIG. 6 is a back view of my design.

[56] References Cited

U.S. PATENT DOCUMENTS

D. 246,187 10/1977 De Arment D24/114
4,301,795 11/1981 Zimmermann 604/68

1 Claim, 5 Drawing Sheets



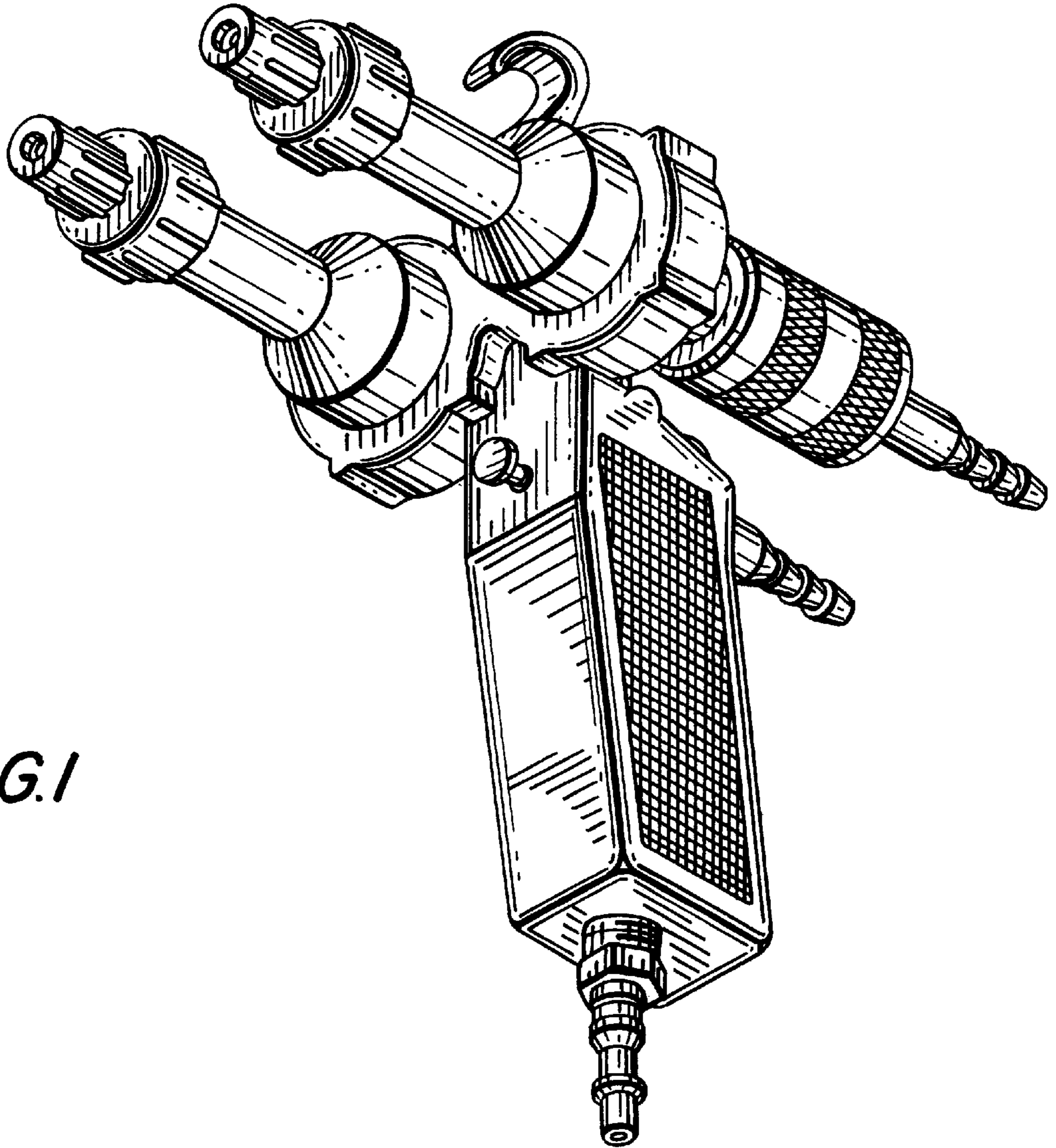


FIG. 1

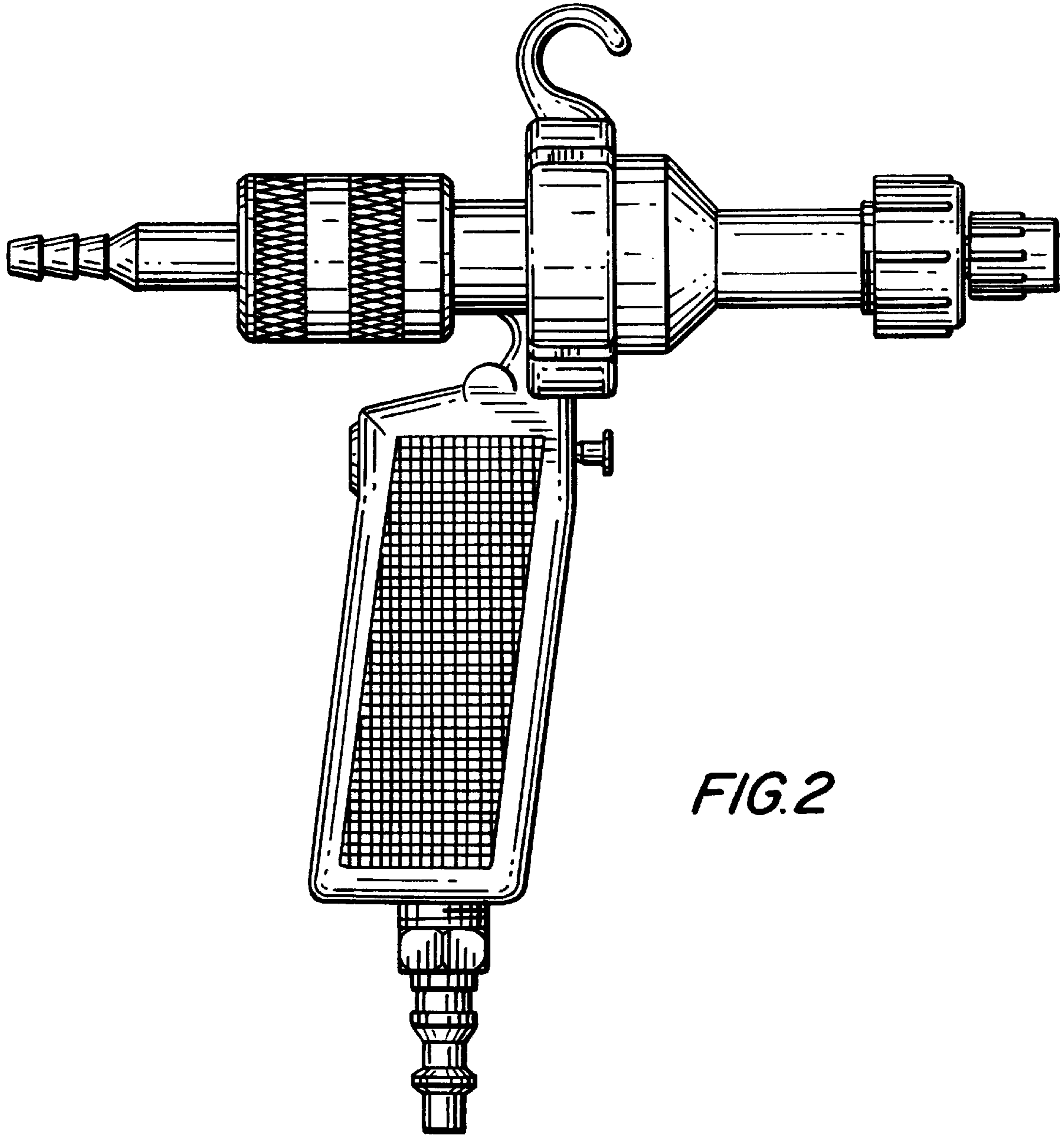


FIG. 2

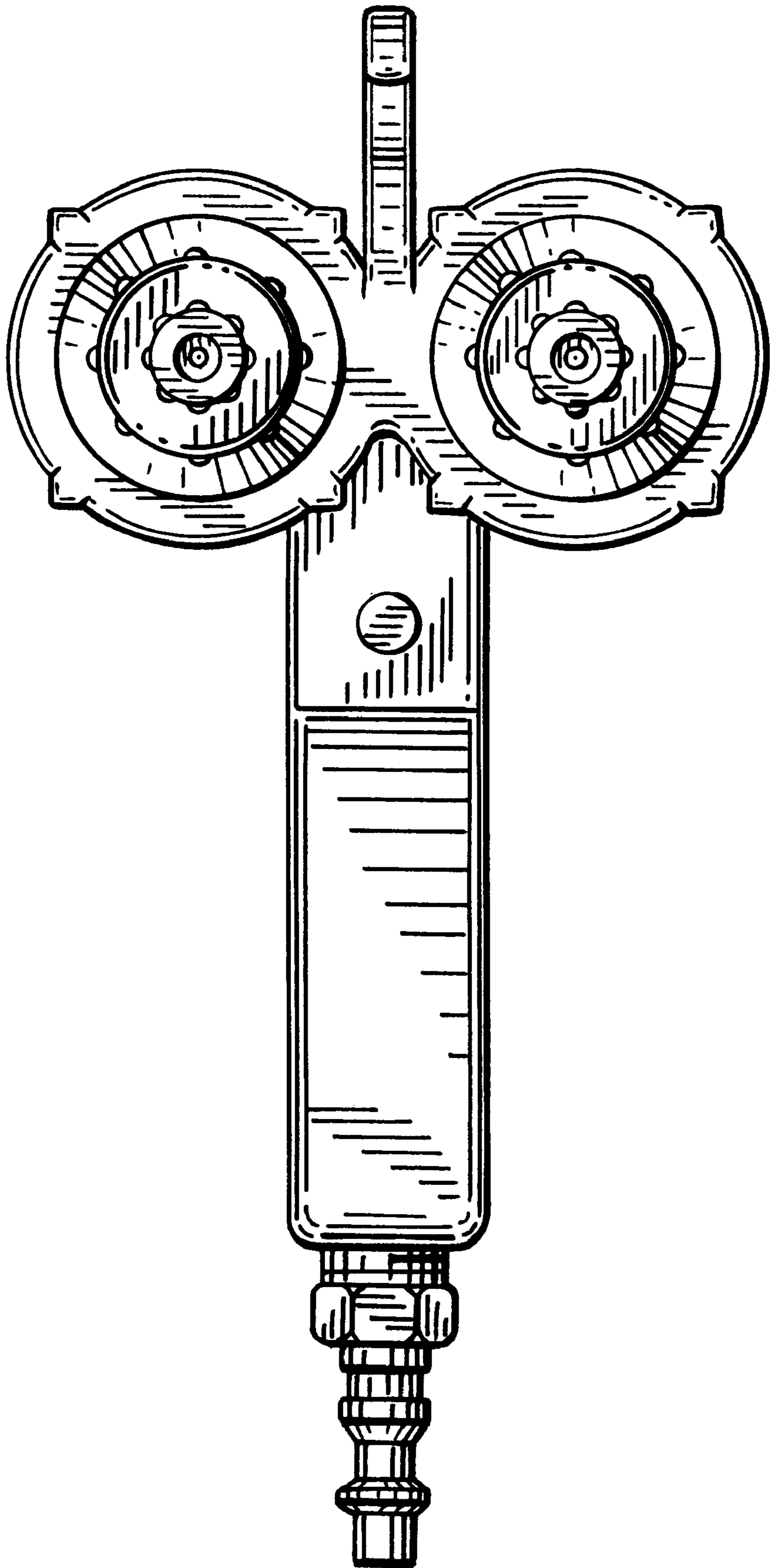


FIG. 3

FIG. 4

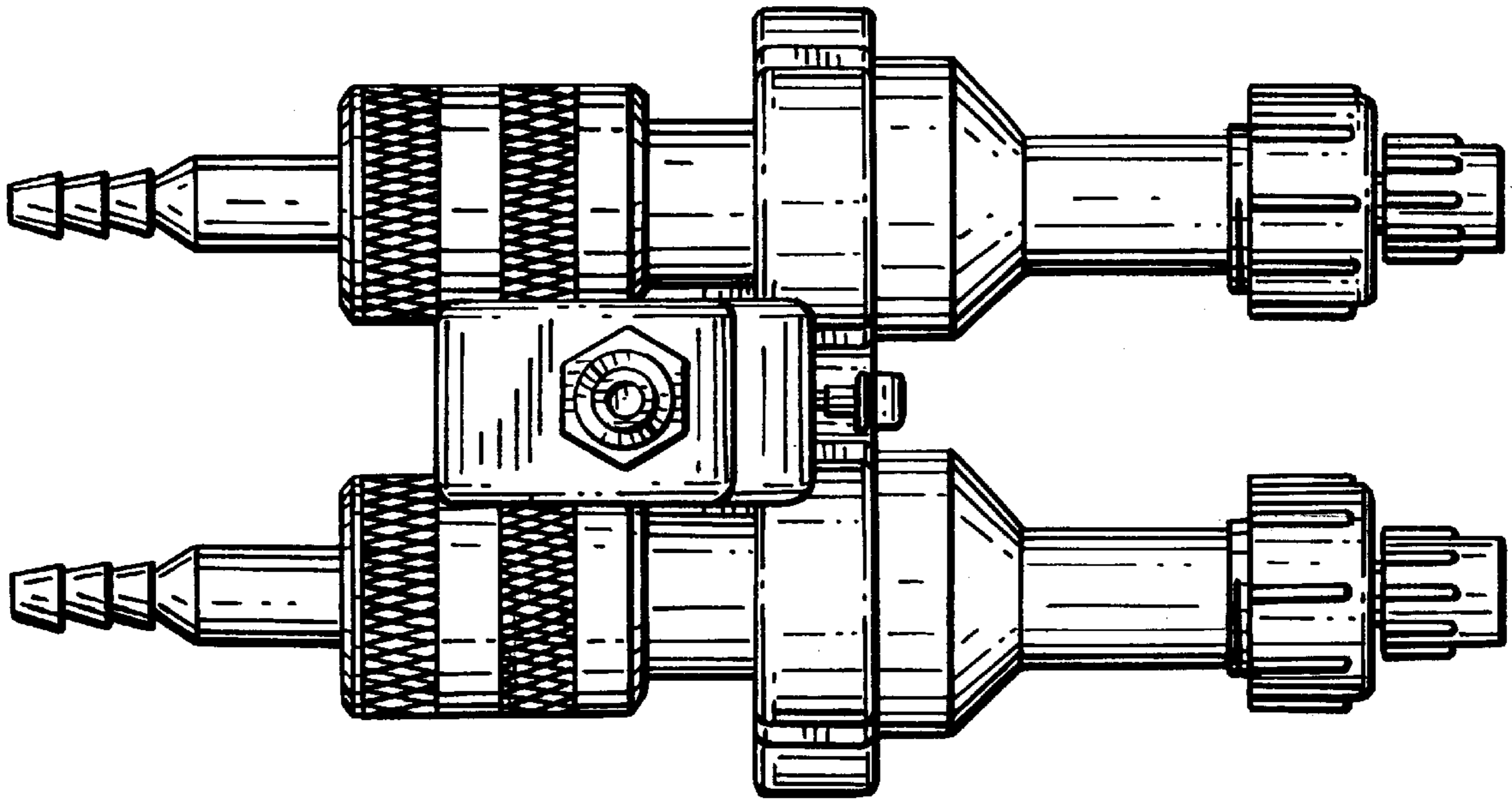
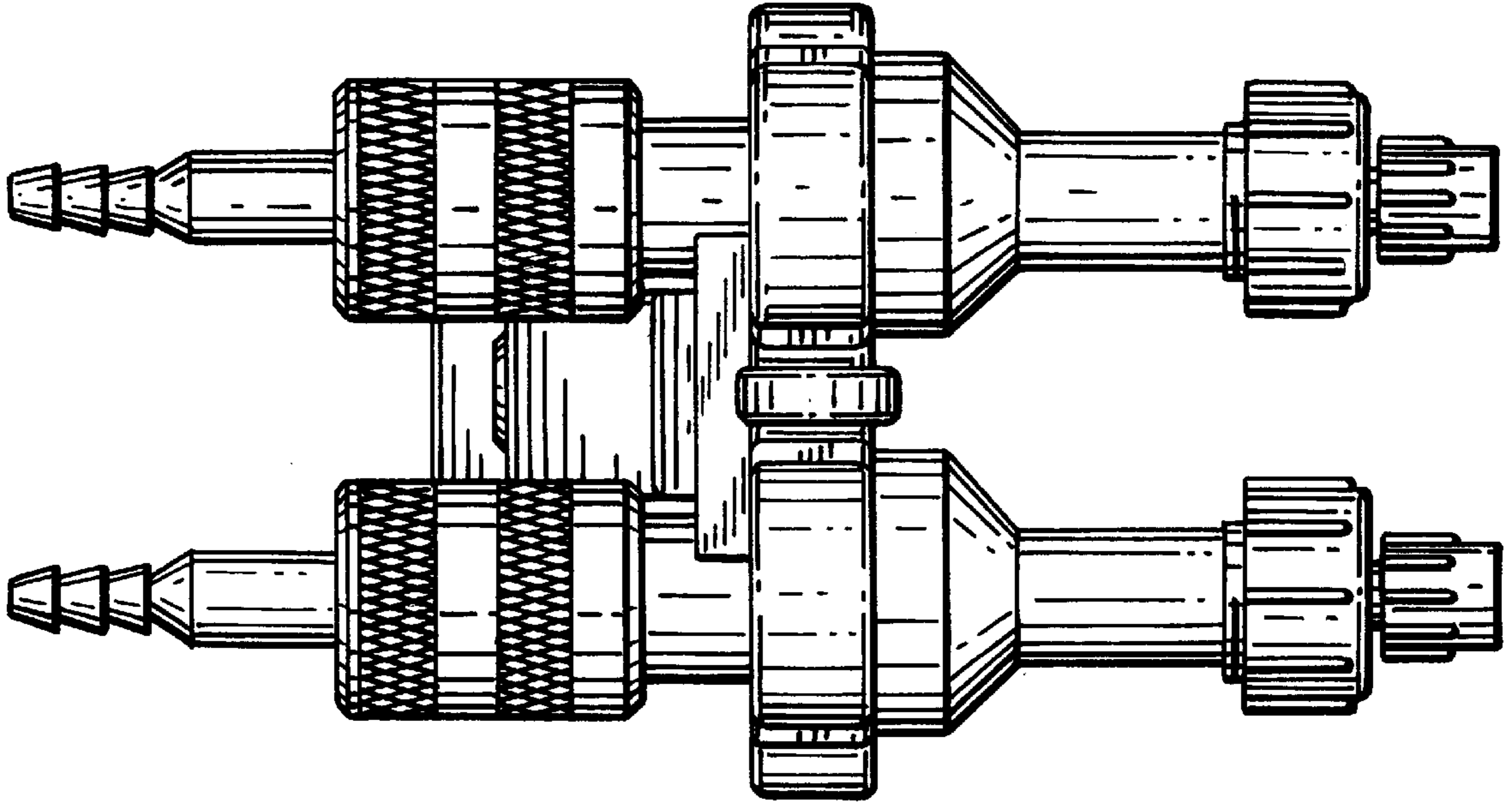


FIG. 5

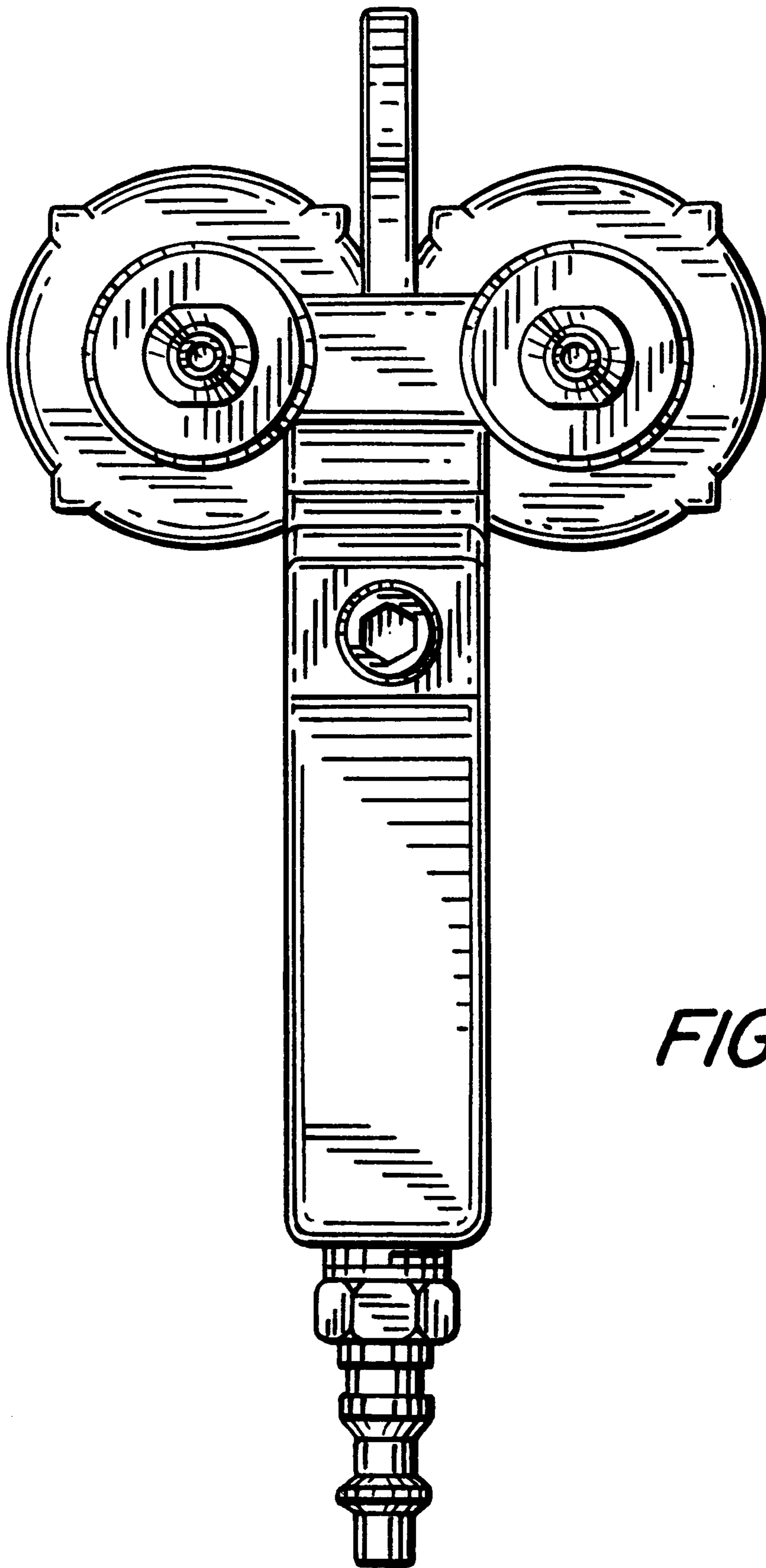


FIG. 6