



US00D416085S

United States Patent [19]

Forssell et al.

[11] **Patent Number: Des. 416,085**

[45] **Date of Patent: ** *Nov. 2, 1999**

[54] **INHALER**

[75] Inventors: **Fredrik Forssell; Gustav Levander; Jesper Sjögren**, all of Helsingborg, Sweden

[73] Assignee: **Pharmacia & Upjohn**, Helsingborg, Sweden

[*] Notice: This patent is subject to a terminal disclaimer.

[**] Term: **14 Years**

[21] Appl. No.: **29/076,575**

[22] Filed: **Sep. 10, 1997**

[30] Foreign Application Priority Data

Sep. 5, 1997 [SE] Sweden 971969

[51] **LOC (6) Cl.** **24-04**

[52] **U.S. Cl.** **D24/110**

[58] **Field of Search** D24/110, 110.4, D24/110.5; 128/200.14, 200.23, 203.12, 200.12, 203.15

[56] References Cited

U.S. PATENT DOCUMENTS

D. 214,972 8/1969 Katerndahl D24/110

D. 395,706 6/1998 Minshull D24/110
4,117,844 10/1978 James 128/203.15
4,993,436 2/1991 Bloom, Jr. 128/200.14 X
5,816,240 10/1998 Komesaroff 128/200.14 X

Primary Examiner—Louis S. Zarfes
Assistant Examiner—I Simmons
Attorney, Agent, or Firm—Fulbright & Jaworski L.L.P.

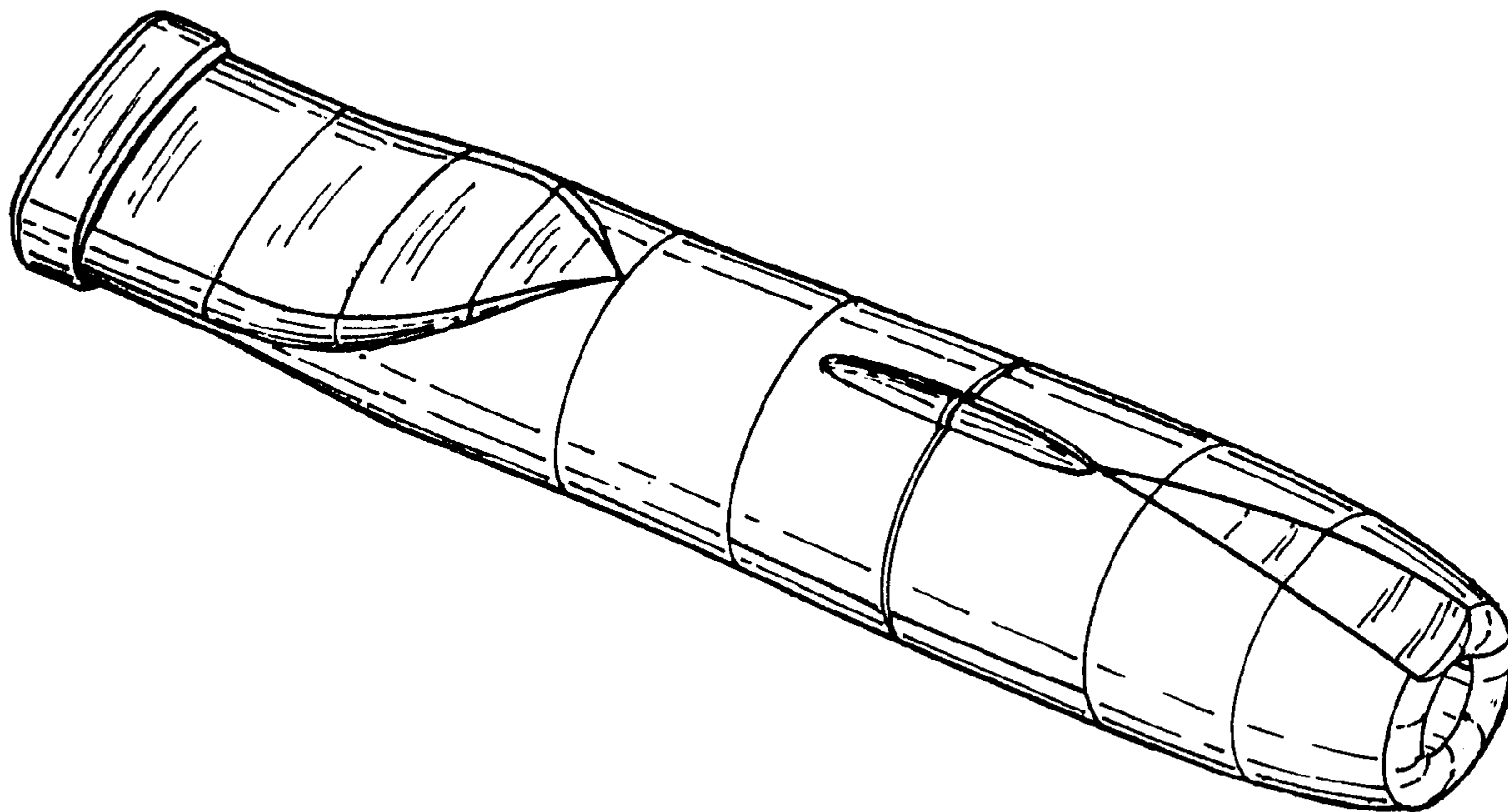
[57] CLAIM

The ornamental design for an inhaler, as shown and described.

DESCRIPTION

FIG. 1 is a perspective top view of the inhaler as seen from the cap end;
FIG. 2 is a perspective bottom view of the inhaler as seen from the cap end;
FIG. 3 is a perspective top view of the inhaler as seen from the mouthpiece end;
FIG. 4 is a perspective bottom view of the inhaler as seen from the mouthpiece end;
FIG. 5 is a top plan view of the inhaler;
FIG. 6 is a side plane view of the inhaler;
FIG. 7 is an end plane view of the inhaler as seen from the mouthpiece end; and,
FIG. 8 is an end plane view of the inhaler as seen from the cap end.

1 Claim, 3 Drawing Sheets



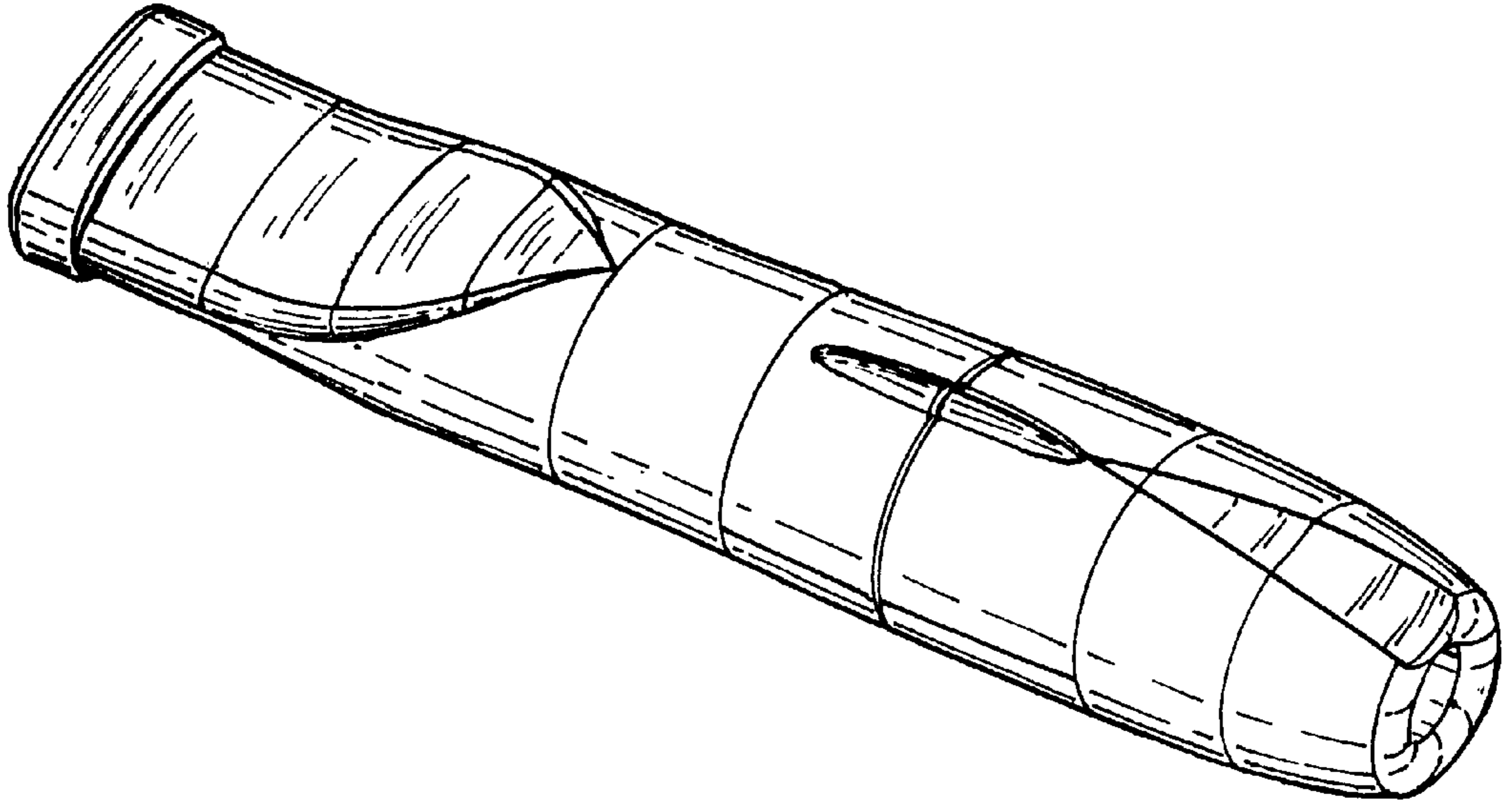


FIG. 1

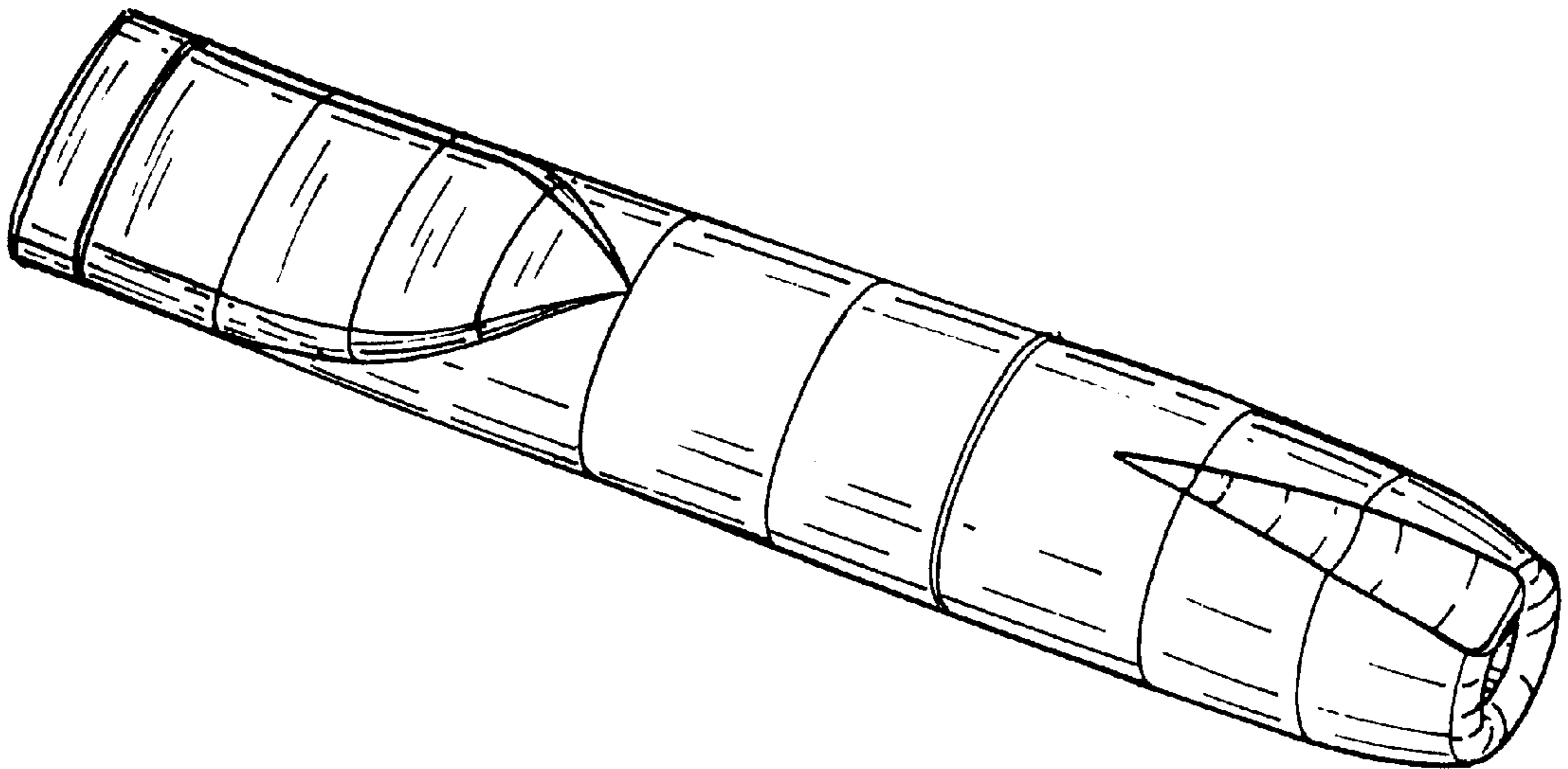


FIG. 2

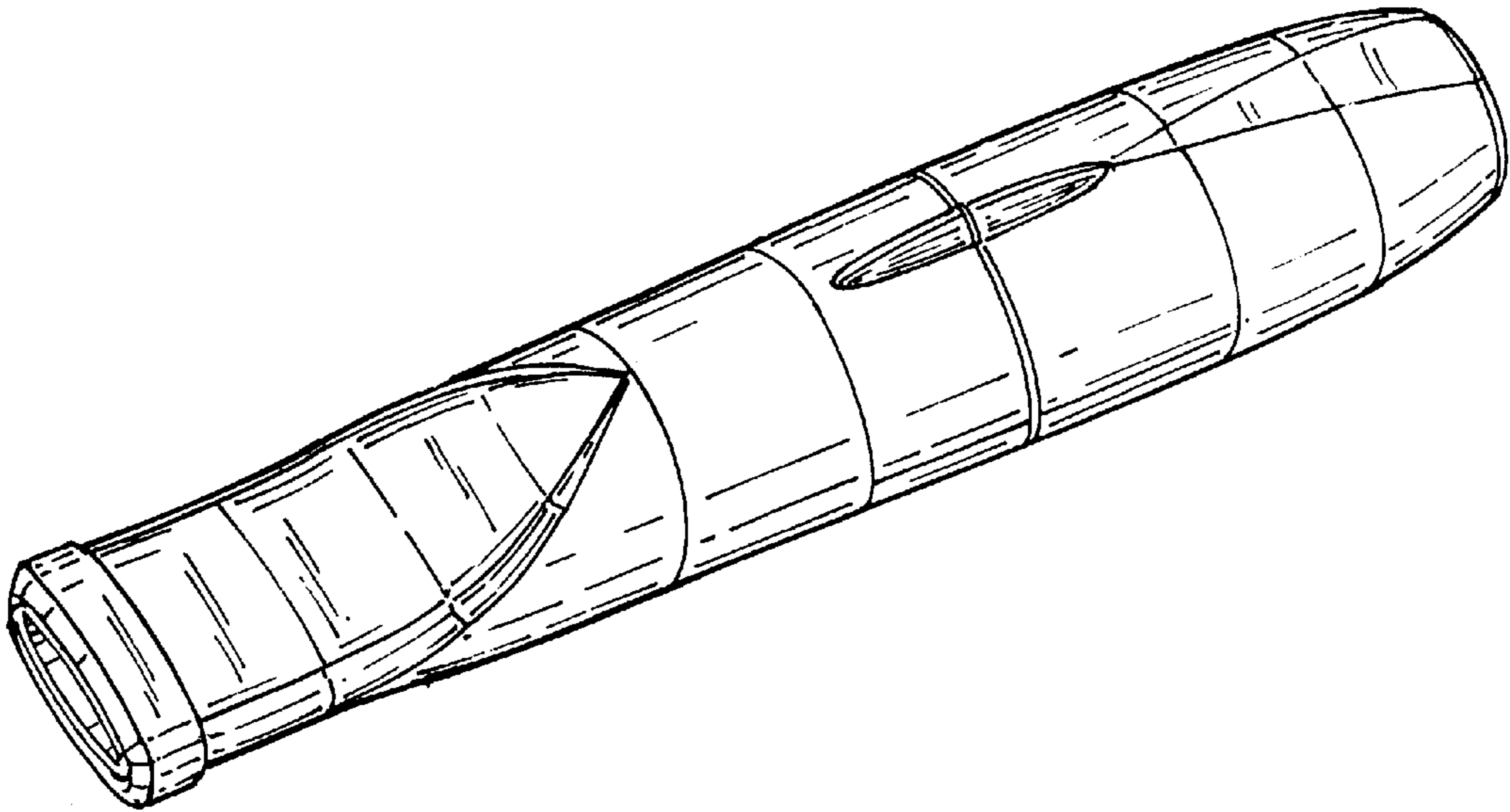


FIG. 3

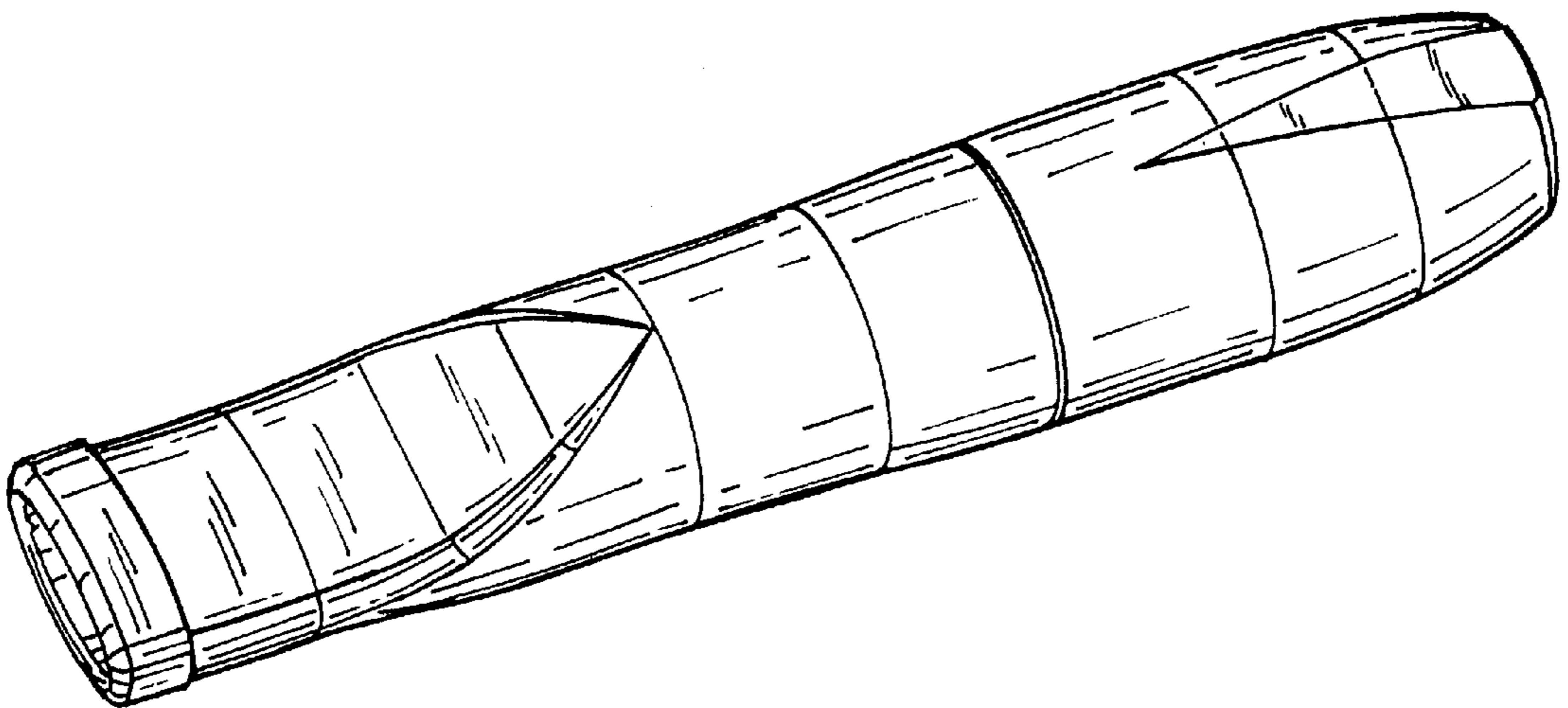


FIG. 4

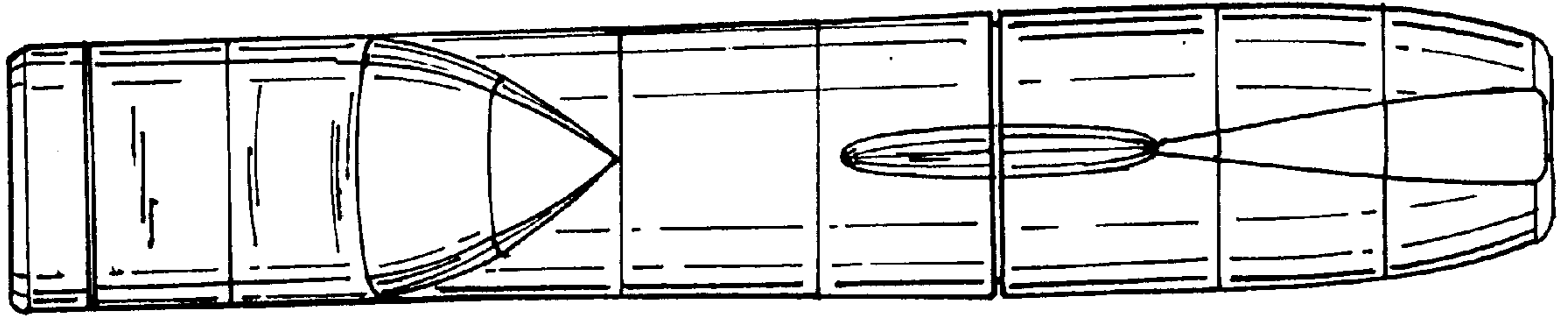


FIG. 5

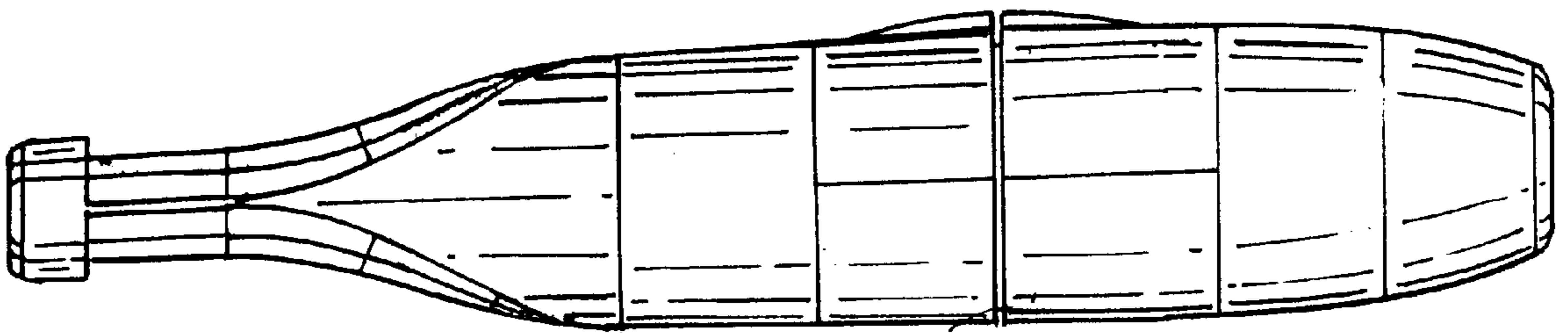


FIG. 6

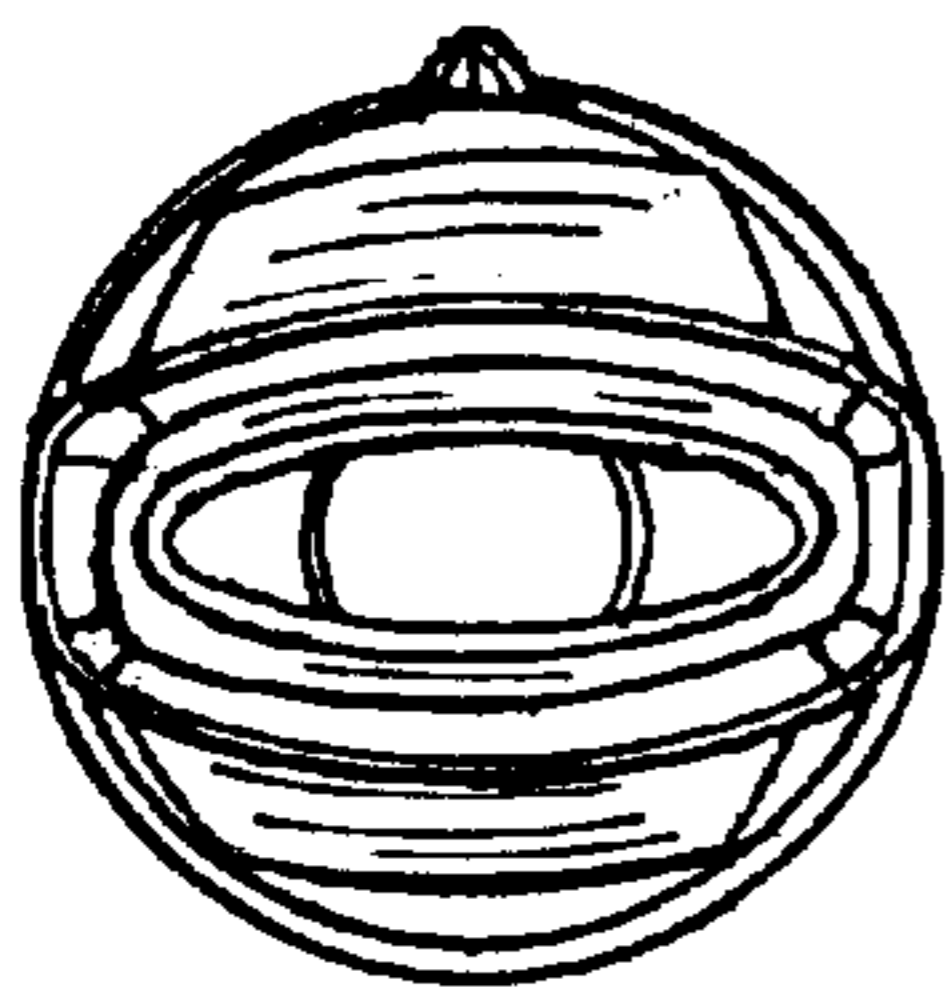


FIG. 7

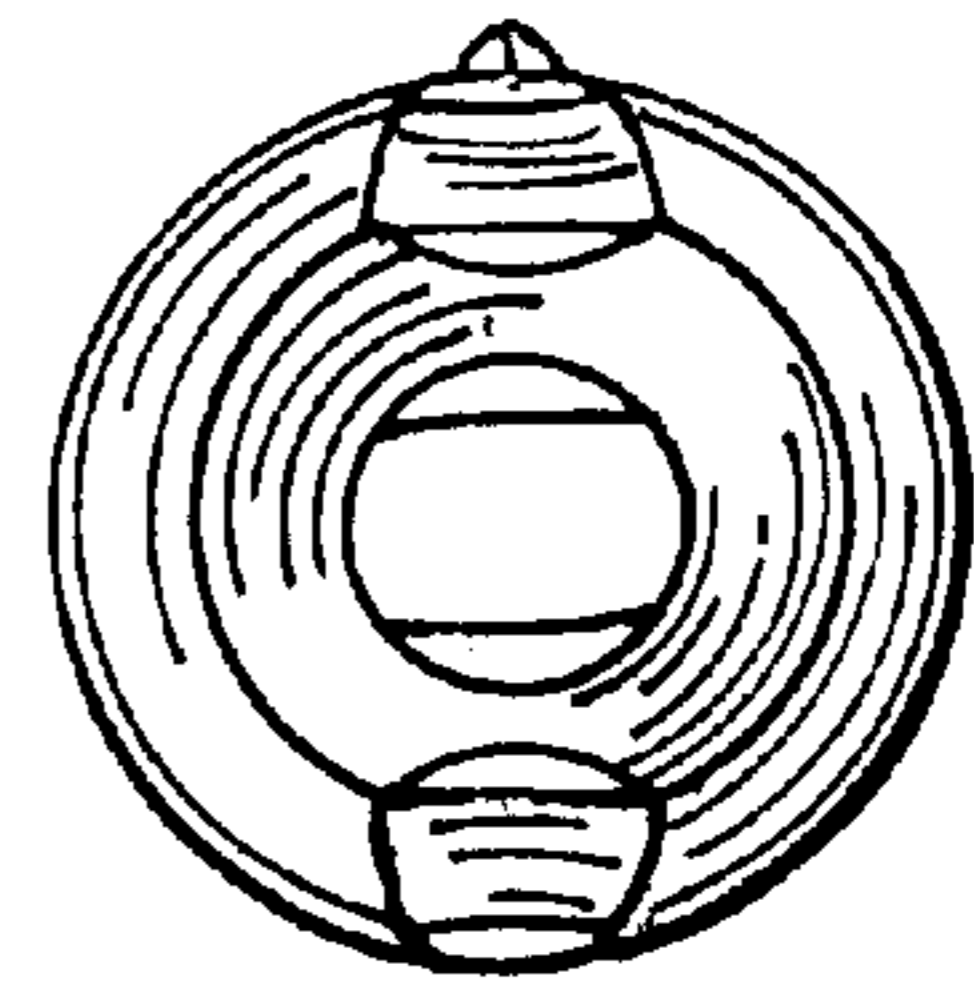


FIG. 8

UNITED STATES PATENT AND TRADEMARK OFFICE
CERTIFICATE OF CORRECTION

PATENT NO. : Des. 416,085

DATED : Nov. 2, 1999

INVENTOR(S) : Fredrik Forssell, et al

It is certified that error appears in the above-identified patent and that said Letters Patent is hereby corrected as shown below:

Delete - - [*] Notice: This patent is subject to a terminal disclaimer. - -

Signed and Sealed this
Eighth Day of August, 2000

Attest:



Q. TODD DICKINSON

Attesting Officer

Director of Patents and Trademarks