



US00D416081S

United States Patent [19] Lee

[11] Patent Number: **Des. 416,081**

[45] Date of Patent: **** Nov. 2, 1999**

[54] ELECTRIC FAN

5,613,833 3/1997 Wolfe et al. D23/378

[75] Inventor: **Shi-Tuu Lee**, Yunlin Hsien, Taiwan

Primary Examiner—Lisa Lichtenstein
Attorney, Agent, or Firm—Bacon & Thomas, PLLC

[73] Assignee: **Sheng Yow Electric Industrial Co., Ltd.**, Yunlin Hsien, Taiwan

[57] CLAIM

[**] Term: **14 Years**

The ornamental design for an “electric fan,” as shown and described.

[21] Appl. No.: **29/096,581**

DESCRIPTION

[22] Filed: **Nov. 16, 1998**

FIG. 1 is a perspective view of an electric fan showing my new design;

[51] LOC (6) Cl. **23-04**

FIG. 2 is a front view thereof;

[52] U.S. Cl. **D23/378; D23/381; D23/382**

FIG. 3 is a rear view thereof;

[58] Field of Search D23/370, 378,

FIG. 4 is a left side view thereof;

D23/411, 381, 382, 412; 416/247 R, 246,

FIG. 5 is a right side view thereof;

238, 223 R

FIG. 6 is a top view thereof; and,

FIG. 7 is a bottom view thereof.

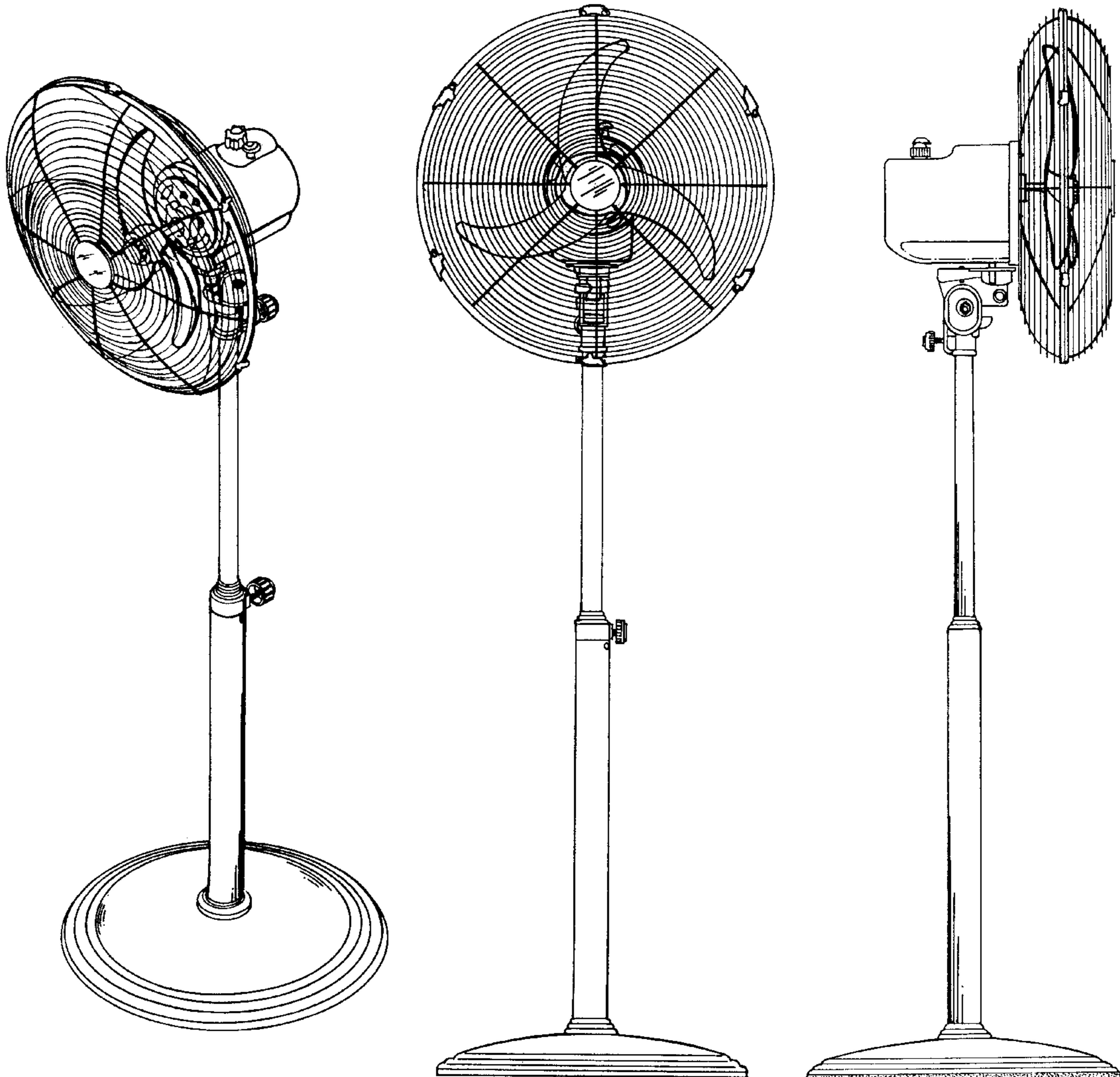
[56] References Cited

The broken line showing of environmental structure in FIGS. 1, 3, 4, and 5 is for illustrative purposes only and forms no part of the claimed design.

U.S. PATENT DOCUMENTS

D. 355,483 2/1995 Litvin et al. D23/378
3,787,142 1/1974 Dupke 416/247

1 Claim, 7 Drawing Sheets



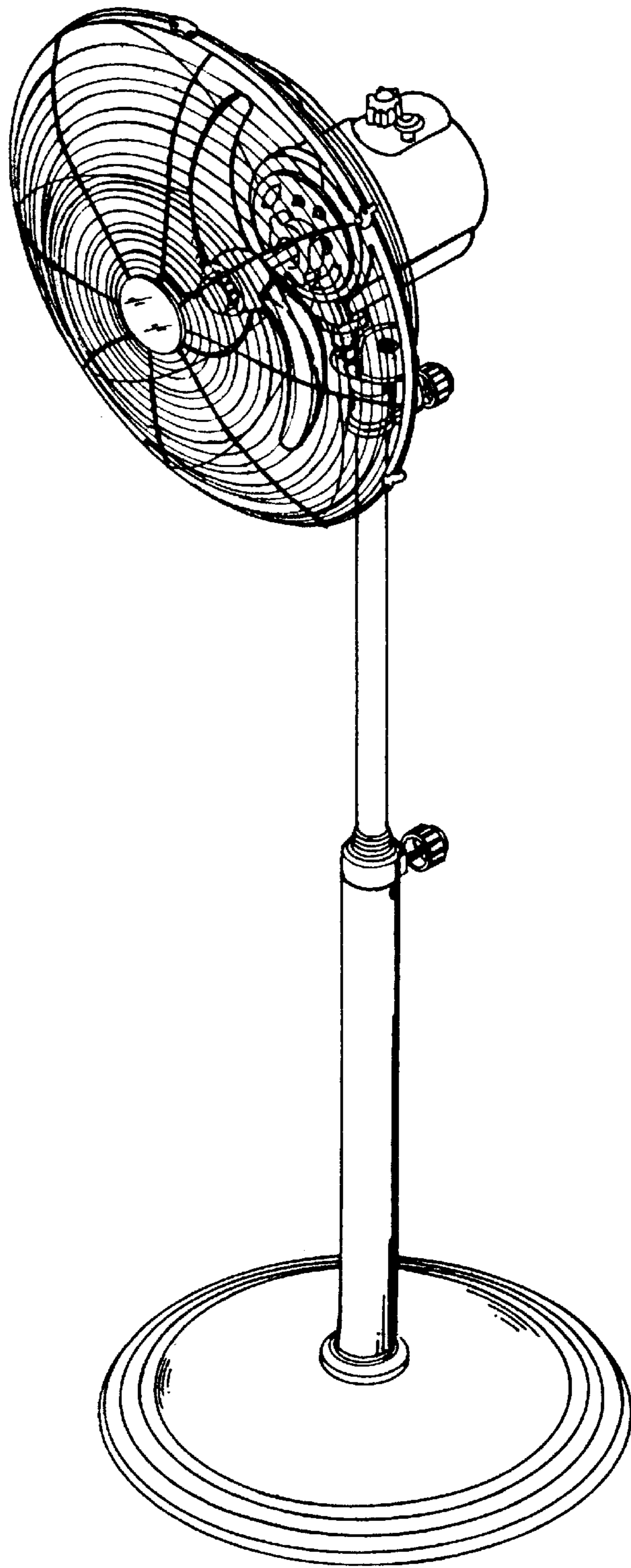


FIG. 1

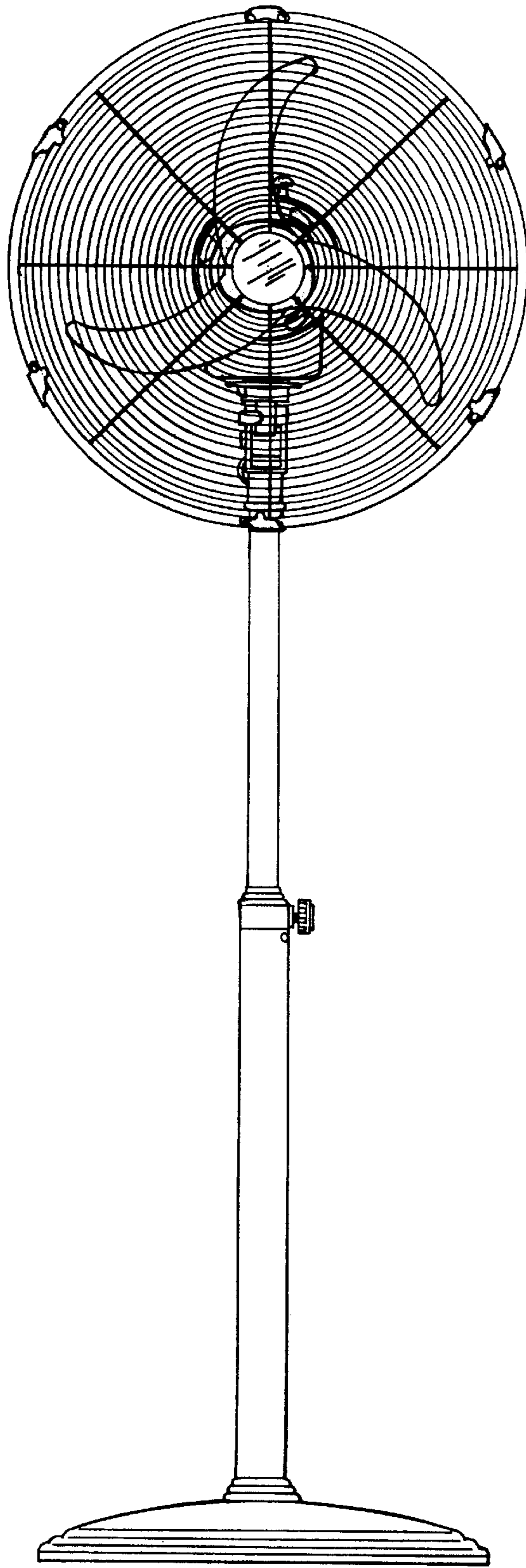


FIG. 2

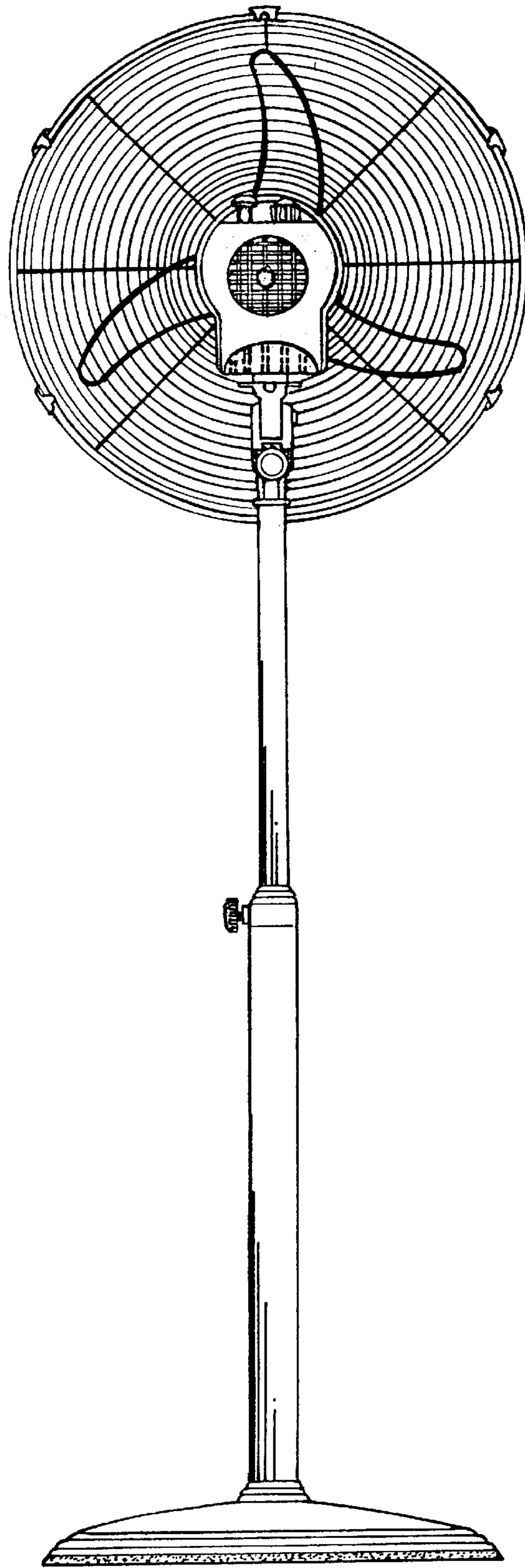


FIG. 3

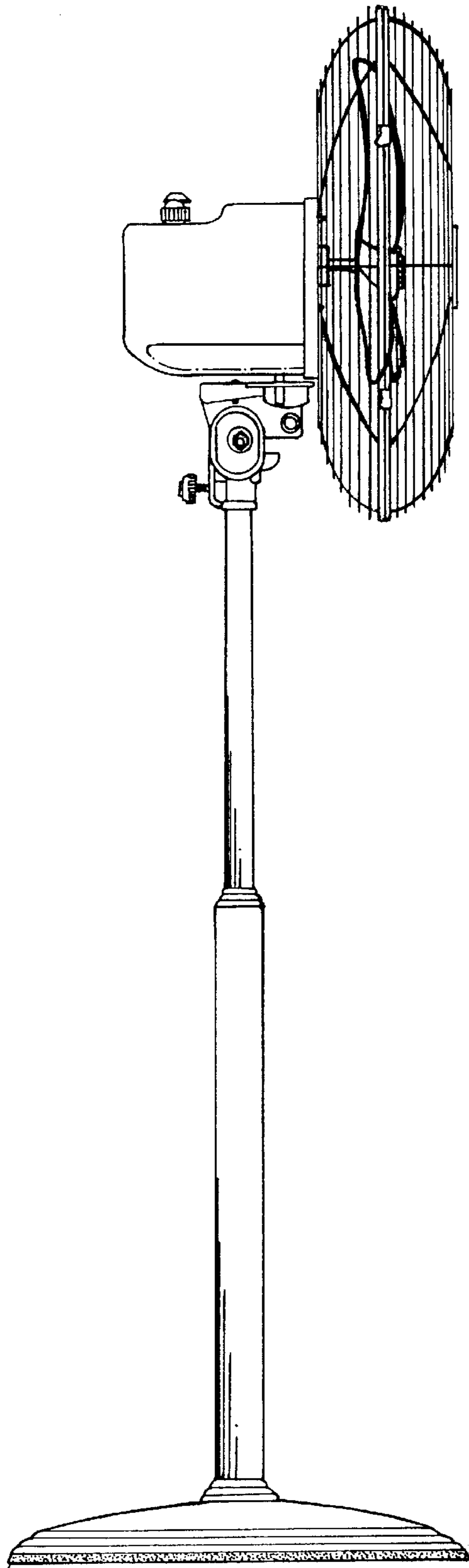


FIG. 4

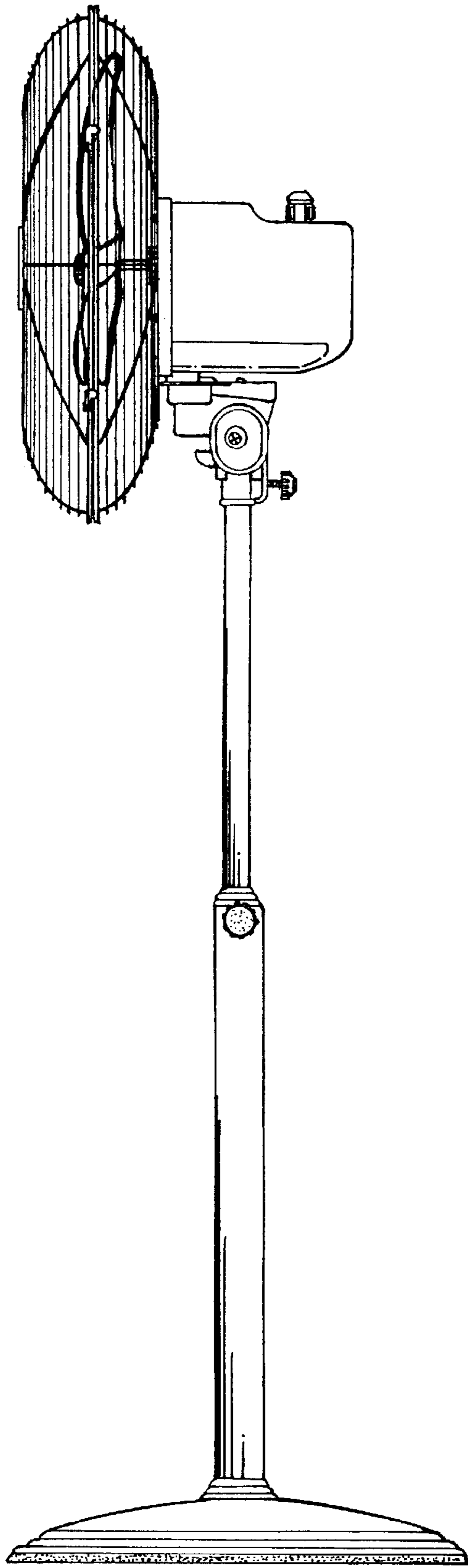


FIG. 5

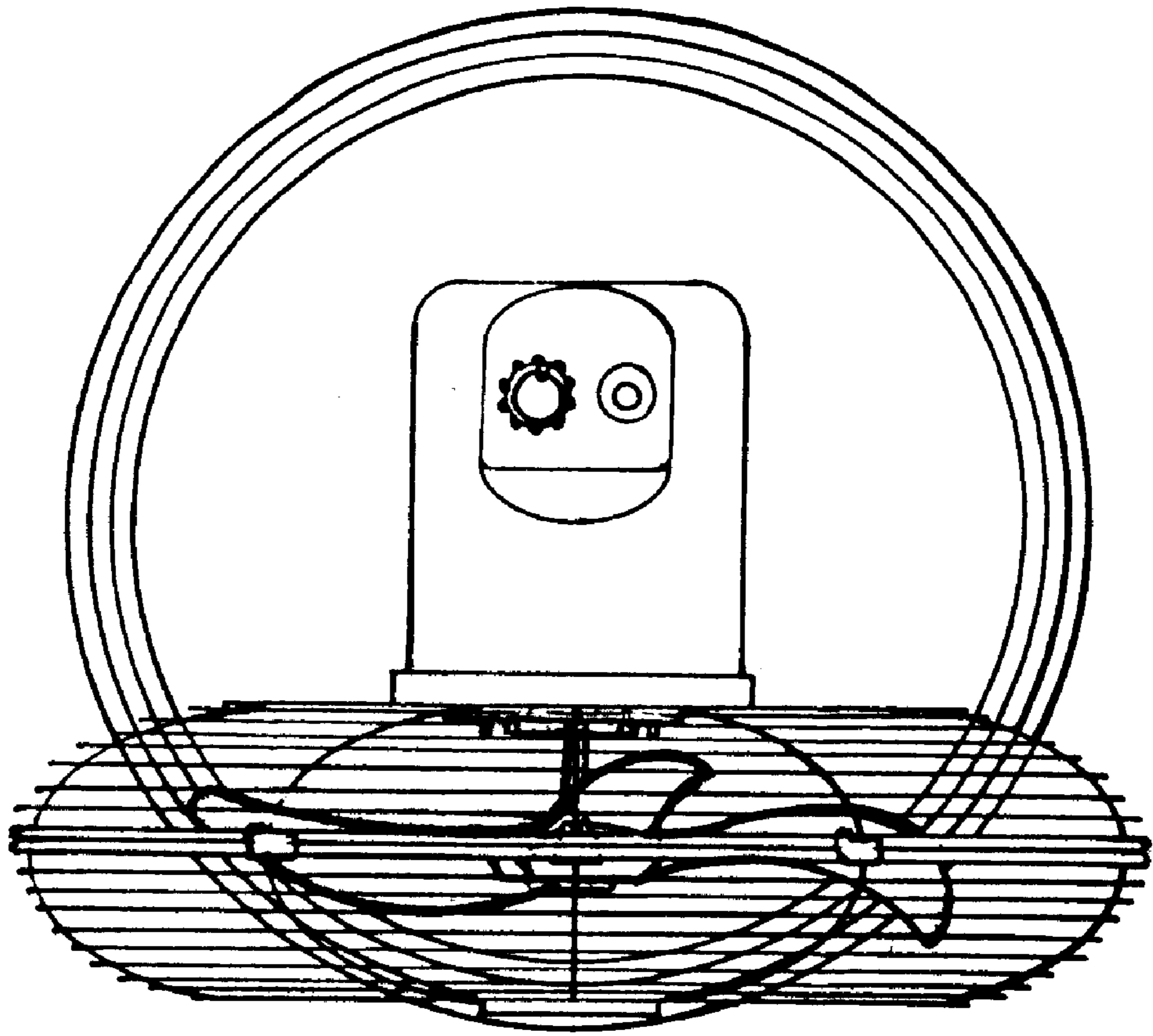


FIG. 6

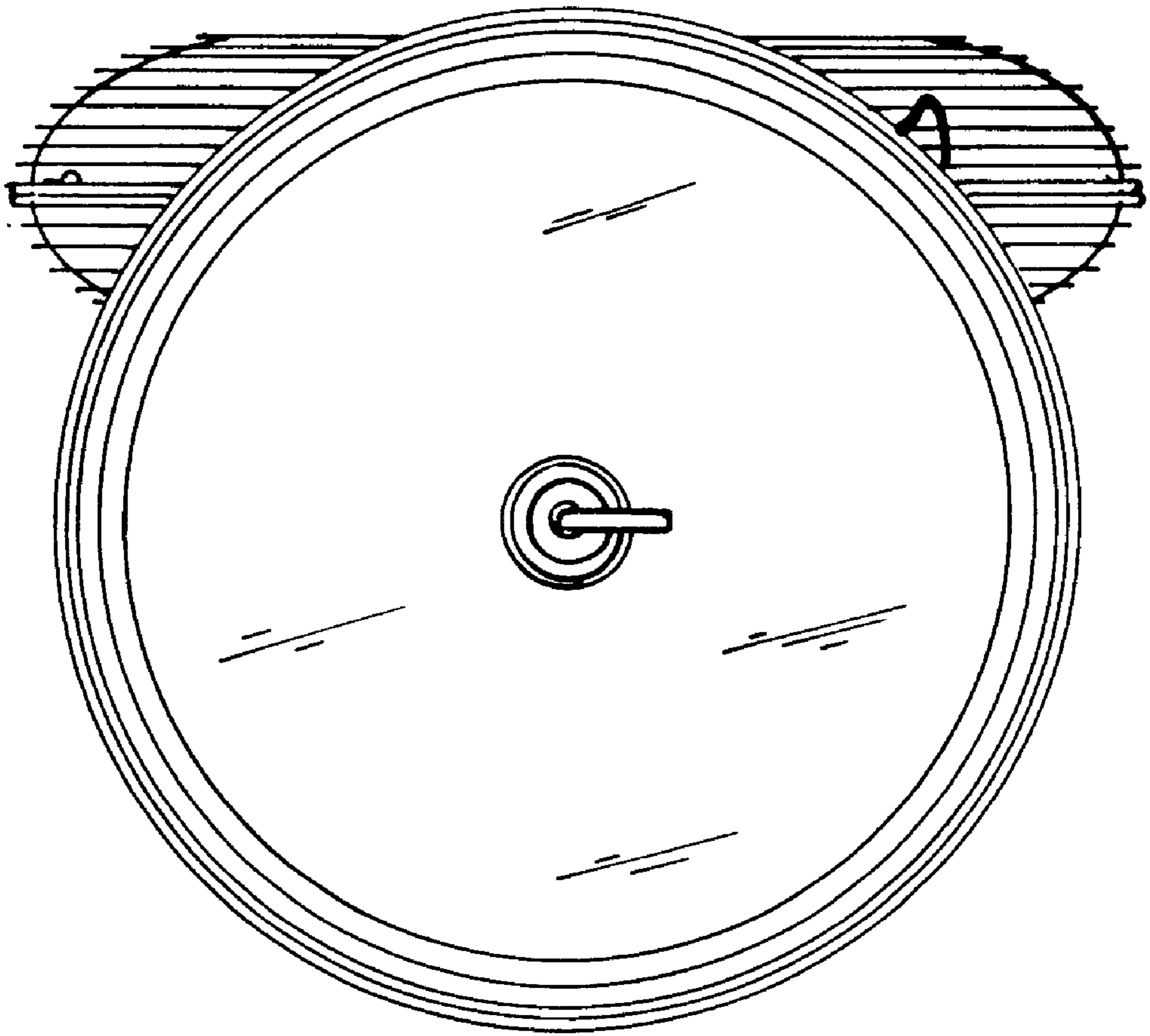


FIG. 7