



US00D416079S

United States Patent [19]

[11] Patent Number: **Des. 416,079**

Hallett, II

[45] Date of Patent: **** Nov. 2, 1999**

[54] GUTTER PROTECTOR

OTHER PUBLICATIONS

[76] Inventor: **William L. Hallett, II**, 112 N. Grace Ave., Crawfordsville, Ind. 47933

Advertising leaflet for Gutter-Helmet, dated Feb. 1991.

[**] Term: **14 Years**

Primary Examiner—Ted Shooman

Assistant Examiner—C Tuttle

[21] Appl. No.: **29/052,280**

Attorney, Agent, or Firm—Woodard, Emhardt, Naughton, Moriarty & McNett

[22] Filed: **Mar. 27, 1996**

[57] CLAIM

[51] **LOC (6) Cl.** **23-01**

The ornamental design for a gutter protector, as shown and described.

[52] **U.S. Cl.** **D23/267**

[58] **Field of Search** D23/260, 261, D23/267; D25/119, 125, 141; D8/380, 394, 395, 371; 52/11, 12; 248/48.1

DESCRIPTION

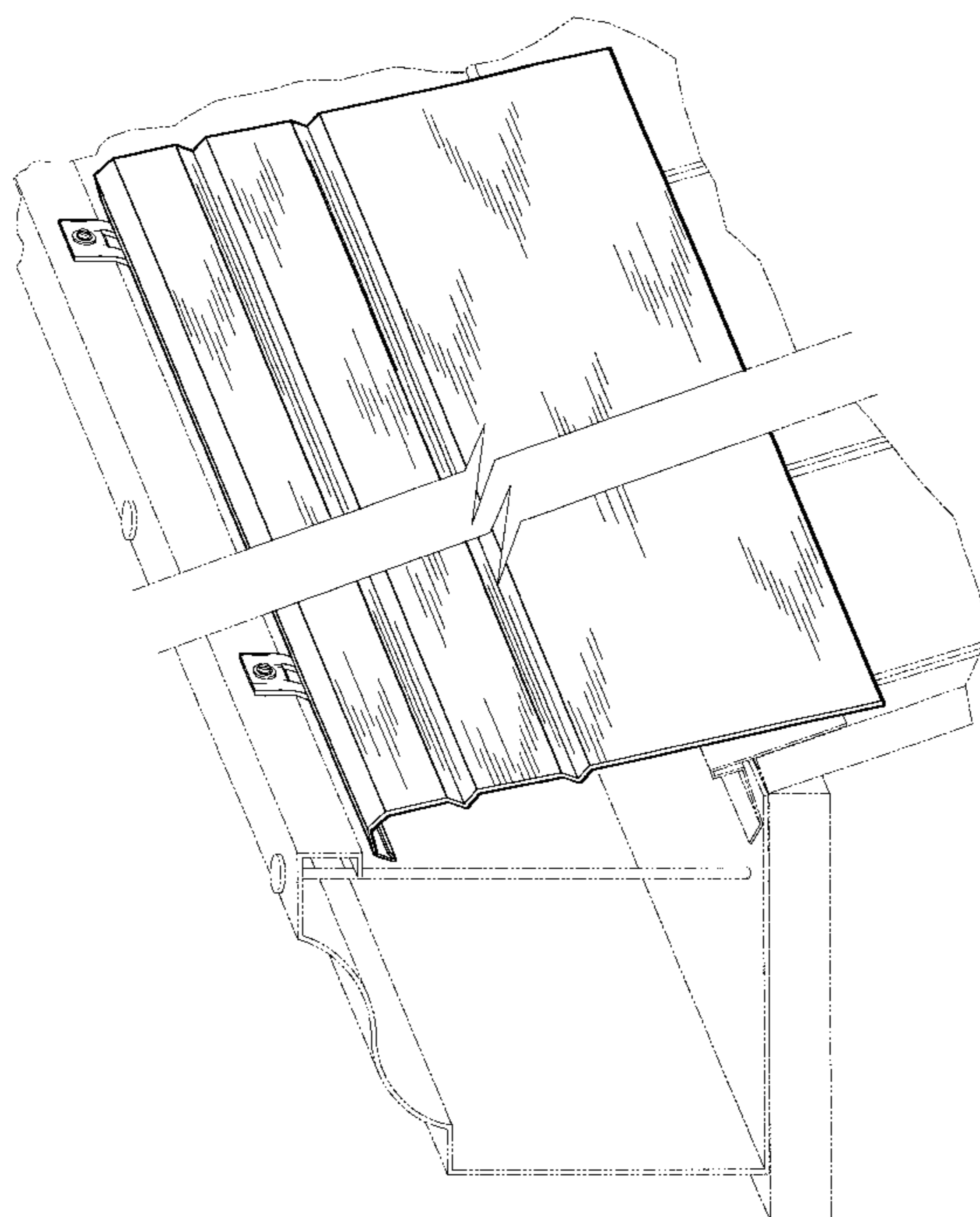
[56] References Cited

U.S. PATENT DOCUMENTS

D. 168,008	10/1952	Woodruff	D25/125	X
D. 181,623	12/1957	Brand	D25/125	
D. 223,829	6/1972	Cook	D23/261	
D. 289,972	5/1987	Fogelman	D8/371	
D. 310,259	8/1990	Hitchins	D23/267	
D. 372,545	8/1996	Schultz	D25/141	X
836,012	11/1906	Cassen et al.	.		
2,672,832	3/1954	Goetz	.		
4,404,775	9/1983	Demartini	.		
4,447,994	5/1984	Garneau	52/12	X
4,455,791	6/1984	Elko et al.	52/12	
4,604,837	8/1986	Beam	.		
4,757,649	7/1988	Vahldieck	.		
4,796,390	1/1989	Demartini	.		
4,937,986	7/1990	Way, Sr. et al.	52/12	
5,181,350	1/1993	Meckstroth	.		
5,305,562	4/1994	Sapia	.		
5,375,379	12/1994	Meckstroth	.		
5,406,755	4/1995	Serano	.		
5,457,916	10/1995	Tenute	.		
5,537,785	7/1996	Zaccagni	52/11	

FIG. 1 is a perspective view of the gutter protector.
 FIG. 2 is a top plan view of the gutter protector.
 FIG. 3 is a bottom plan view of the gutter protector.
 FIG. 4 is a rear elevational view of the gutter protector.
 FIG. 5 is a front elevational view of the gutter protector.
 FIG. 6 is an elevational view taken from the right side of FIG. 2.
 FIG. 7 is an elevational view taken from the left side of FIG. 2.
 FIG. 8 is a top plan view of a clip forming part of the gutter protector of FIGS. 1-7 enlarged and shown separately from the assembly for clarity and completeness of disclosure.
 FIG. 9 is a bottom plan view of the clip.
 FIG. 10 is a perspective view of the clip.
 FIG. 11 is a front elevational view of the clip.
 FIG. 12 is a left side elevational view of the clip.
 FIG. 13 is a rear elevational view of the clip; and,
 FIG. 14 is a right side elevational view of the clip.
 The broken lines showing the gutter and roof structure are for illustrative purposes only and form no part of the claimed design.
 The gutter protector is shown partially broken away to indicate indeterminate length.

1 Claim, 8 Drawing Sheets



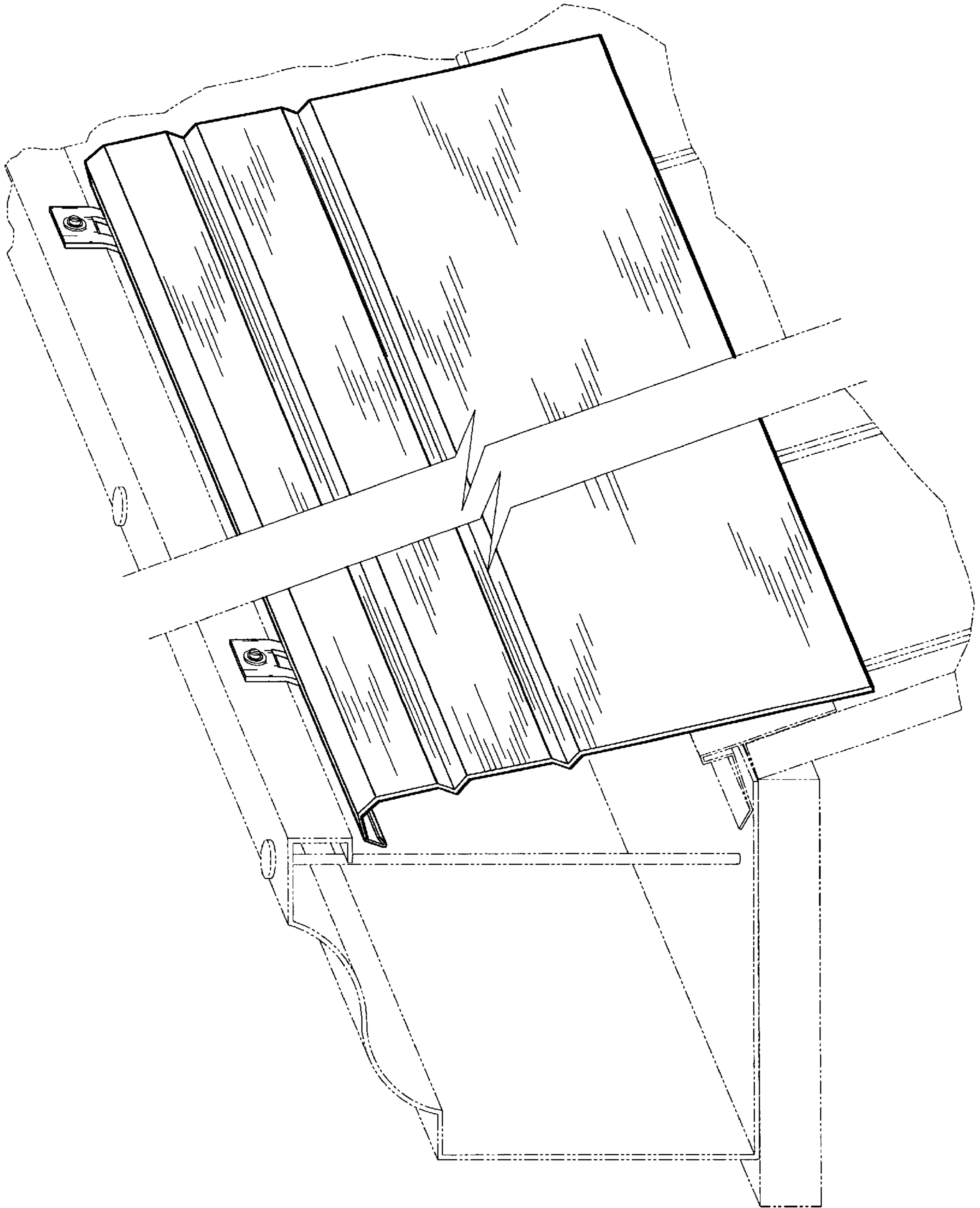


Fig. 1

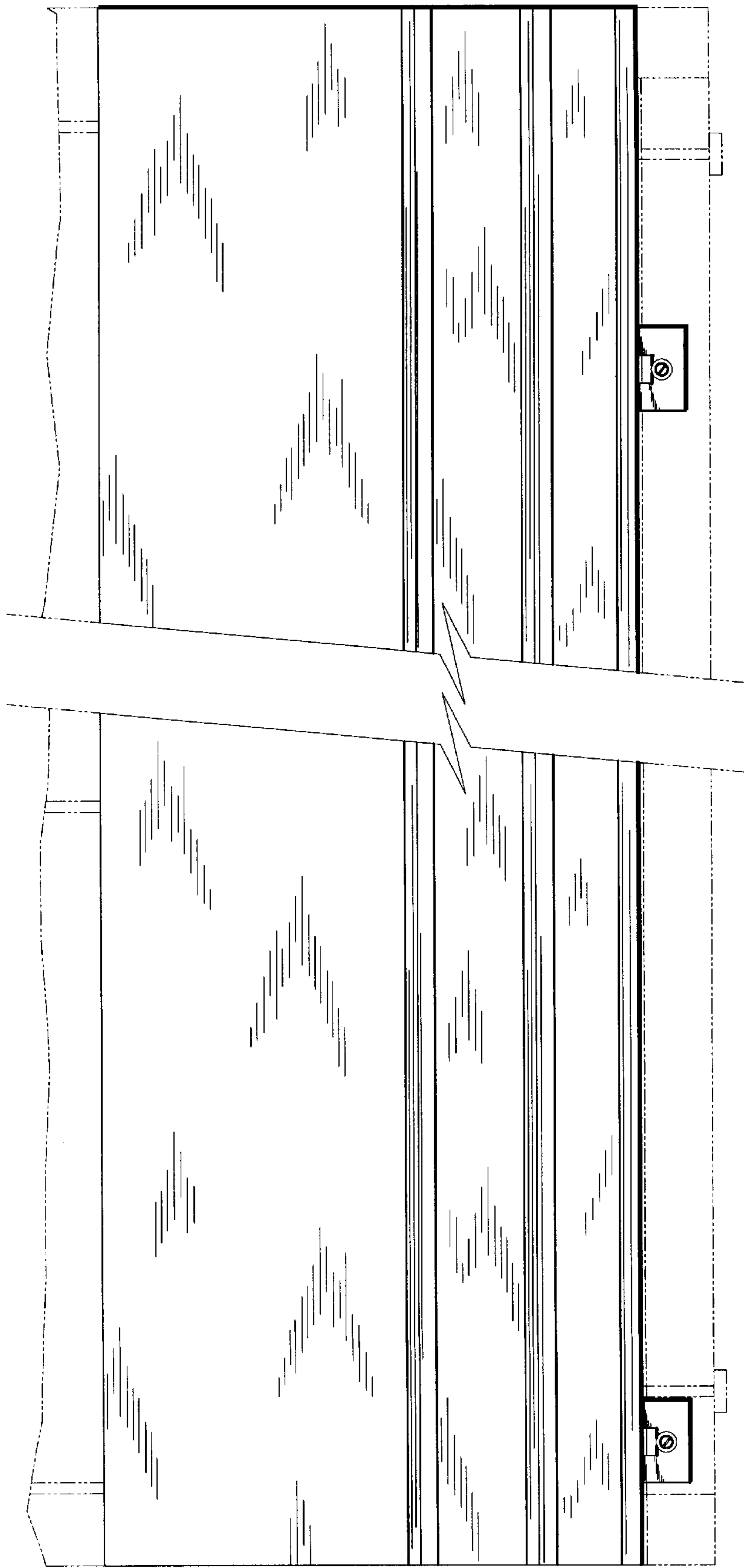


Fig. 2

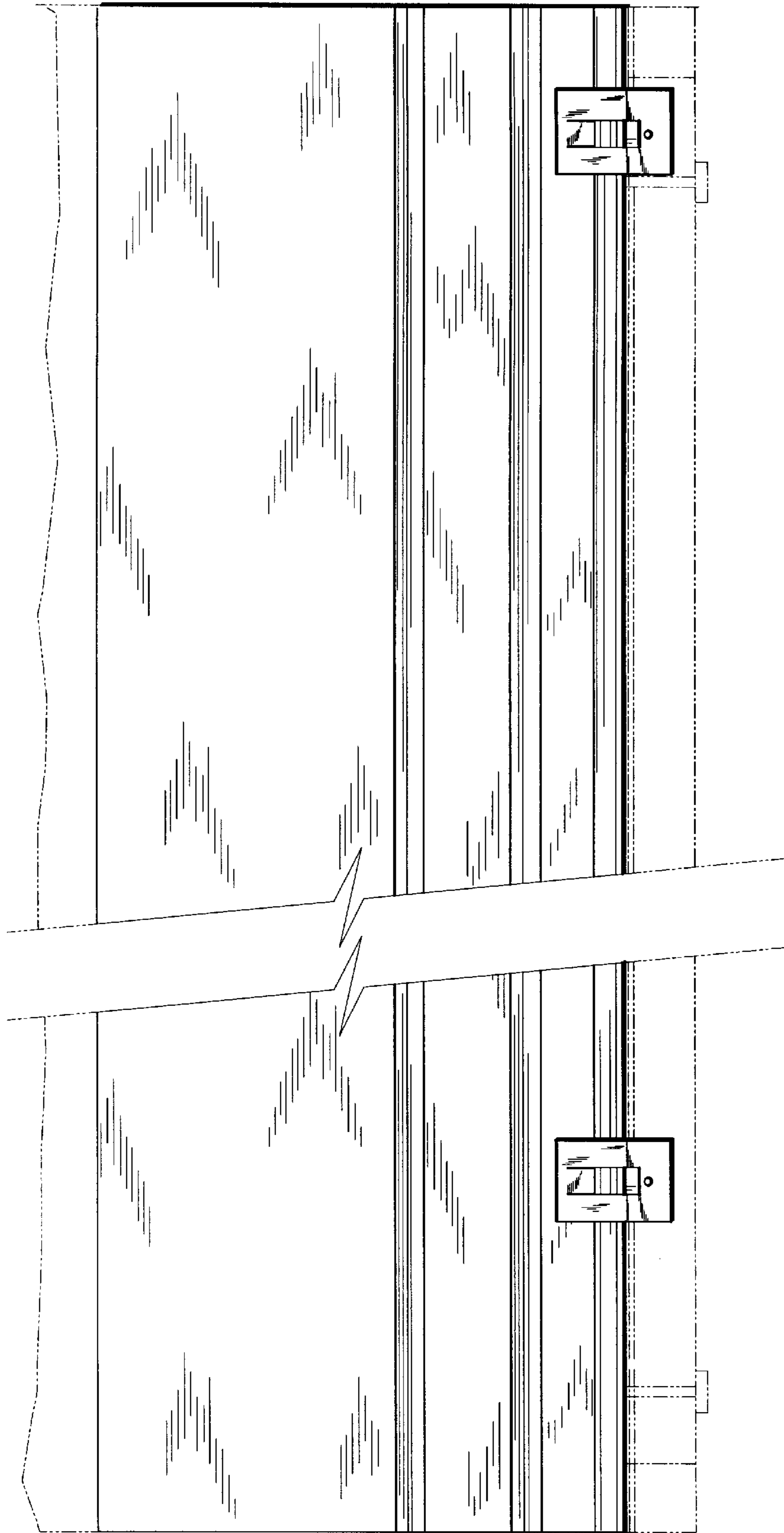


Fig. 3

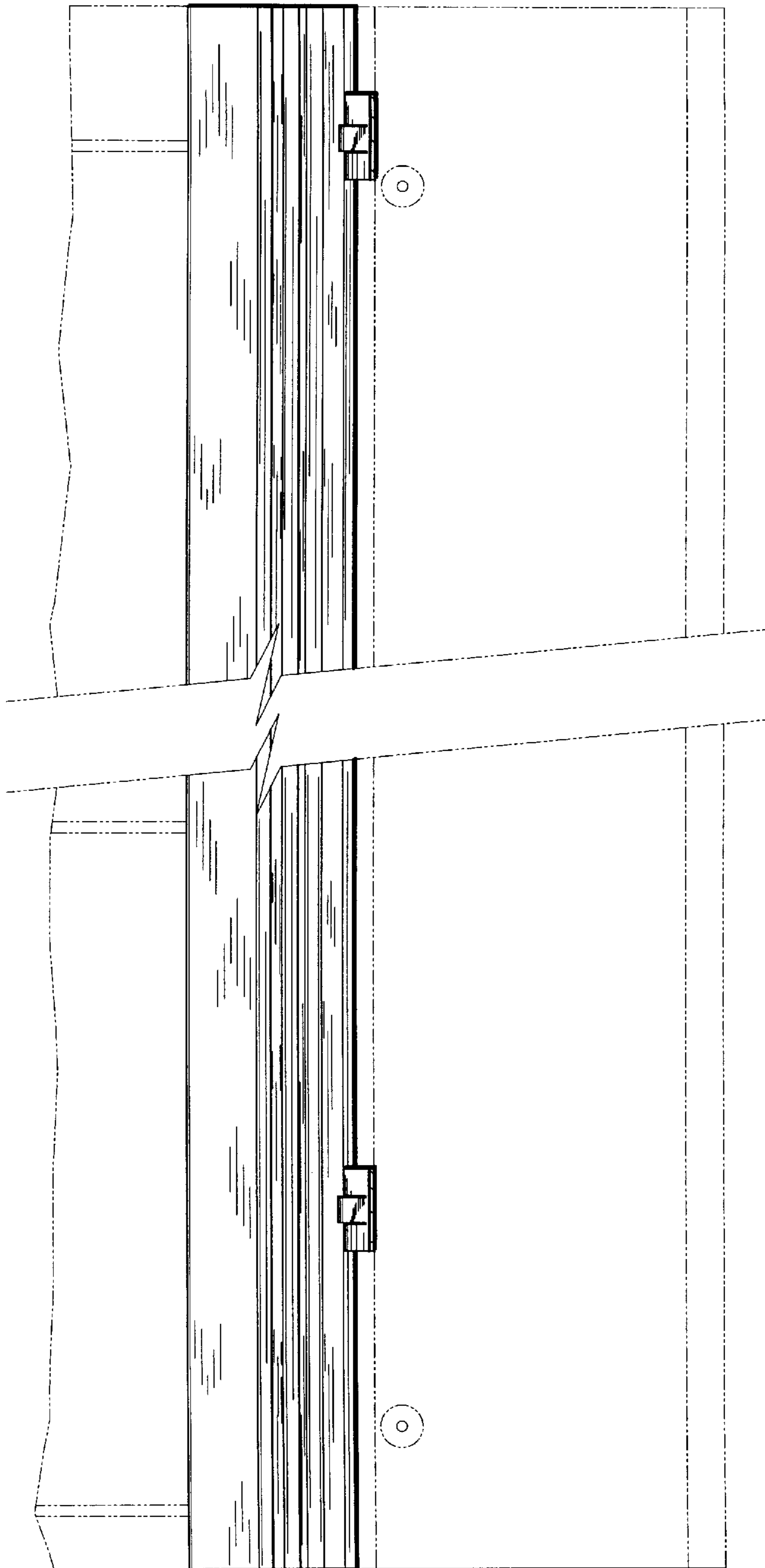


Fig. 4

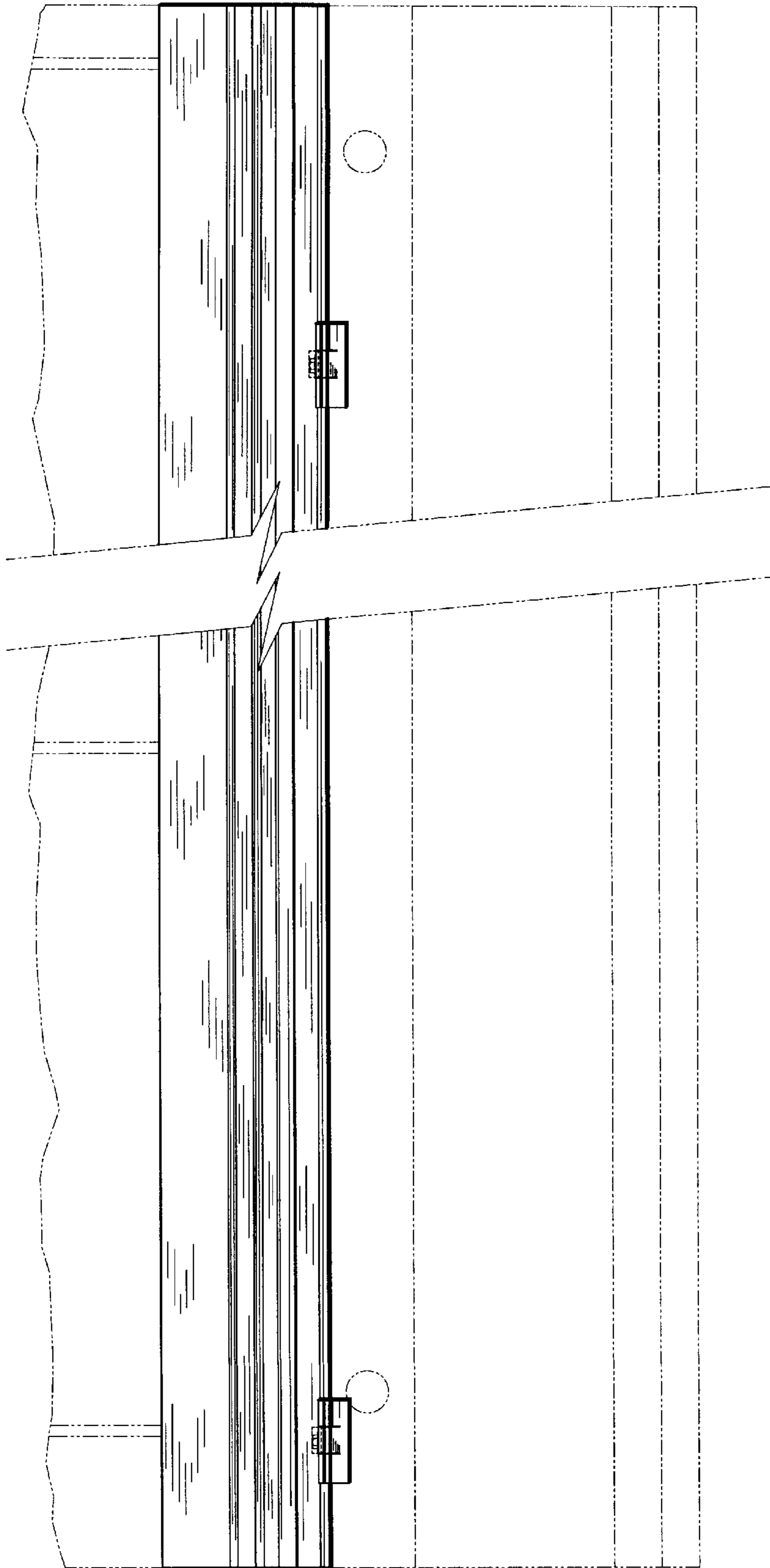


Fig. 5

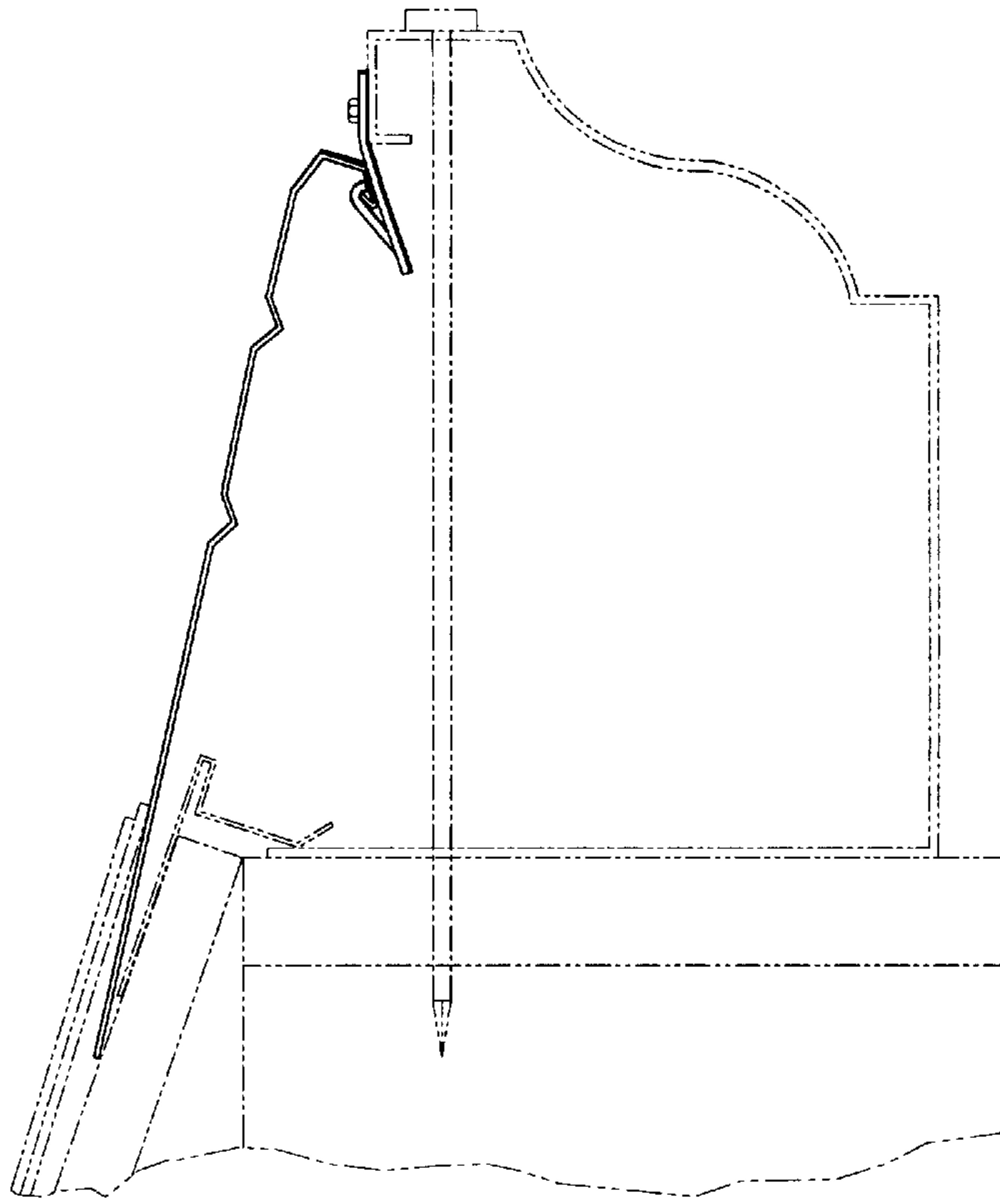


Fig. 7

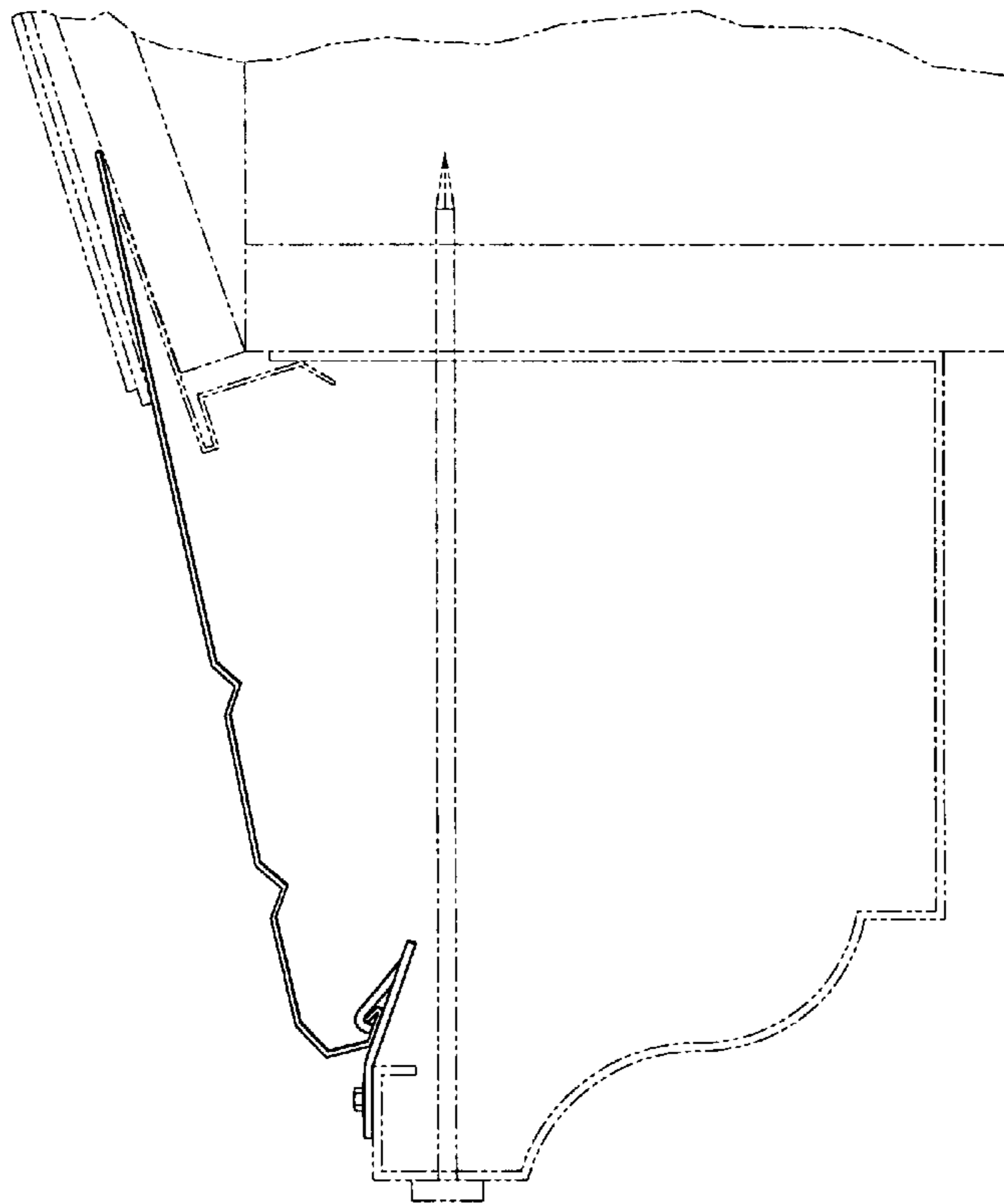


Fig. 6

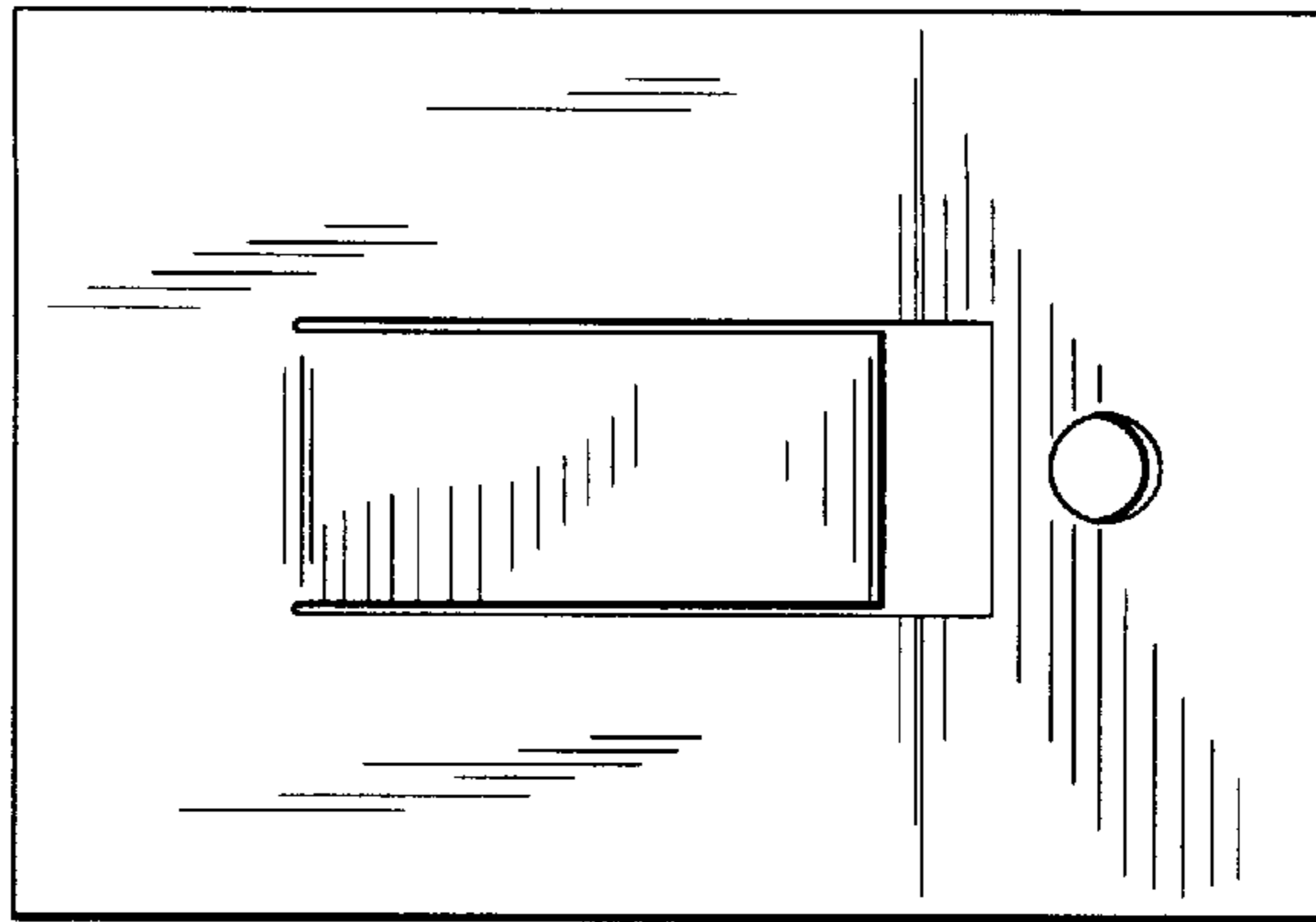


Fig. 8

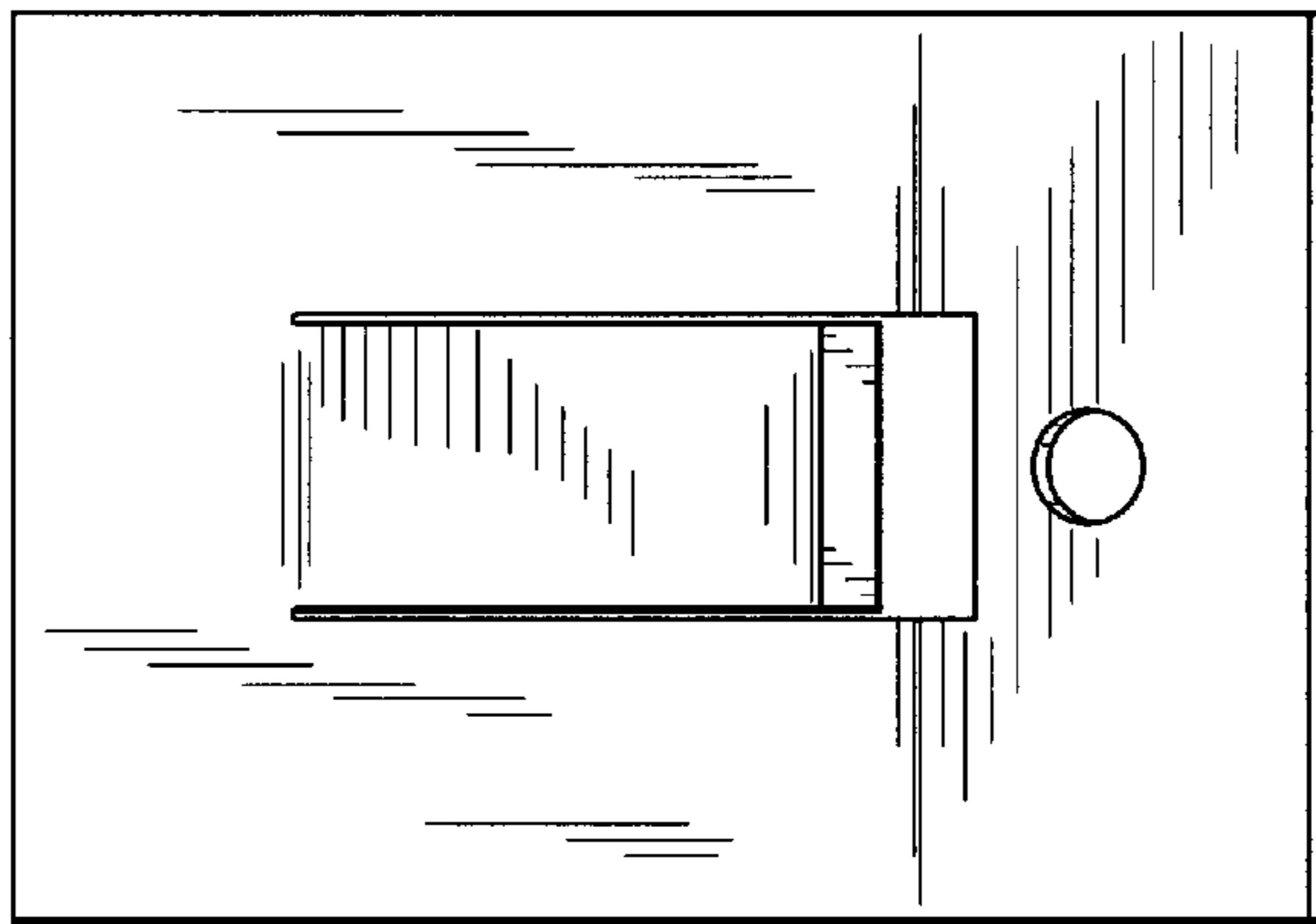


Fig. 9

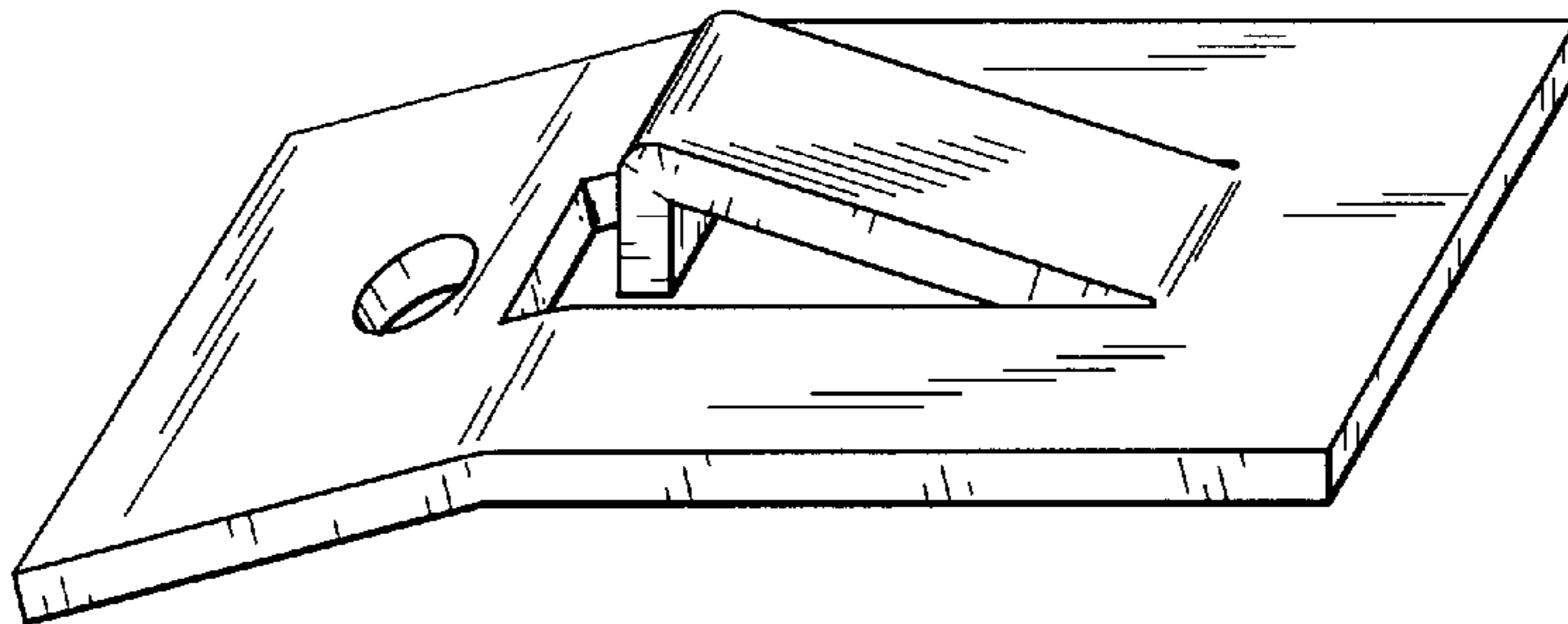


Fig. 10

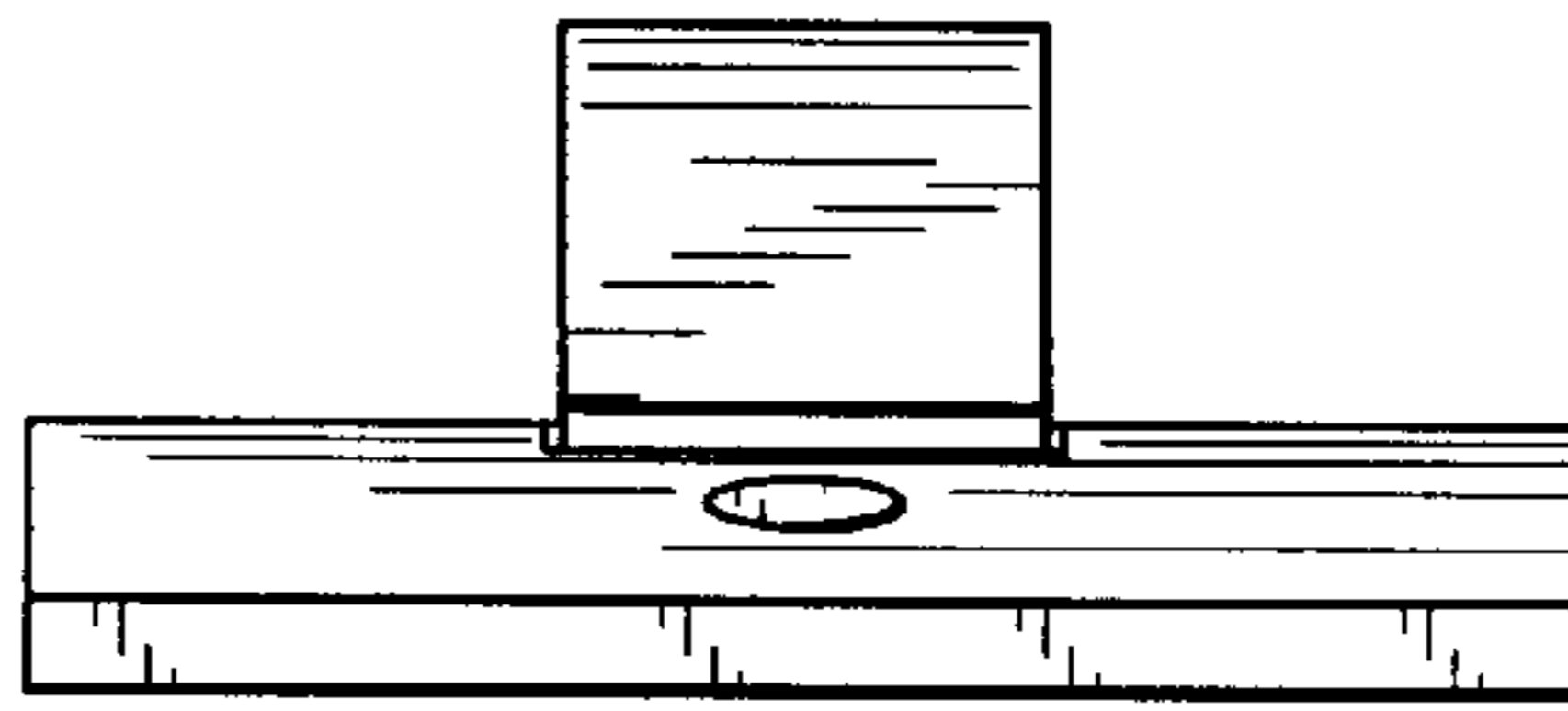


Fig. 11

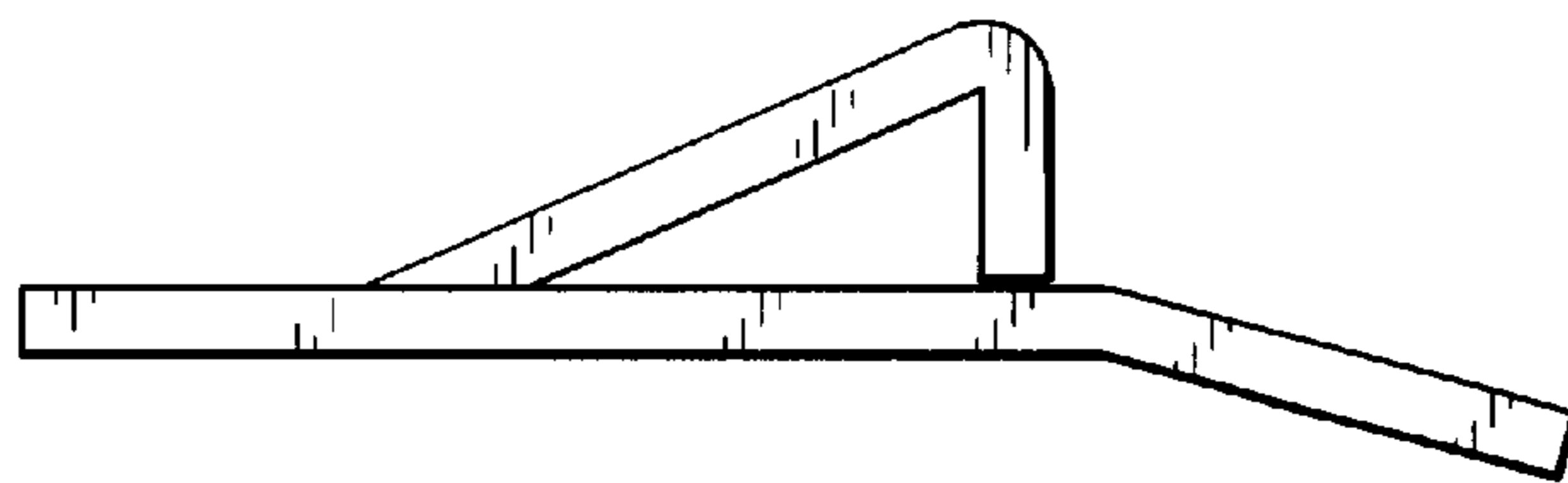


Fig. 12



Fig. 13

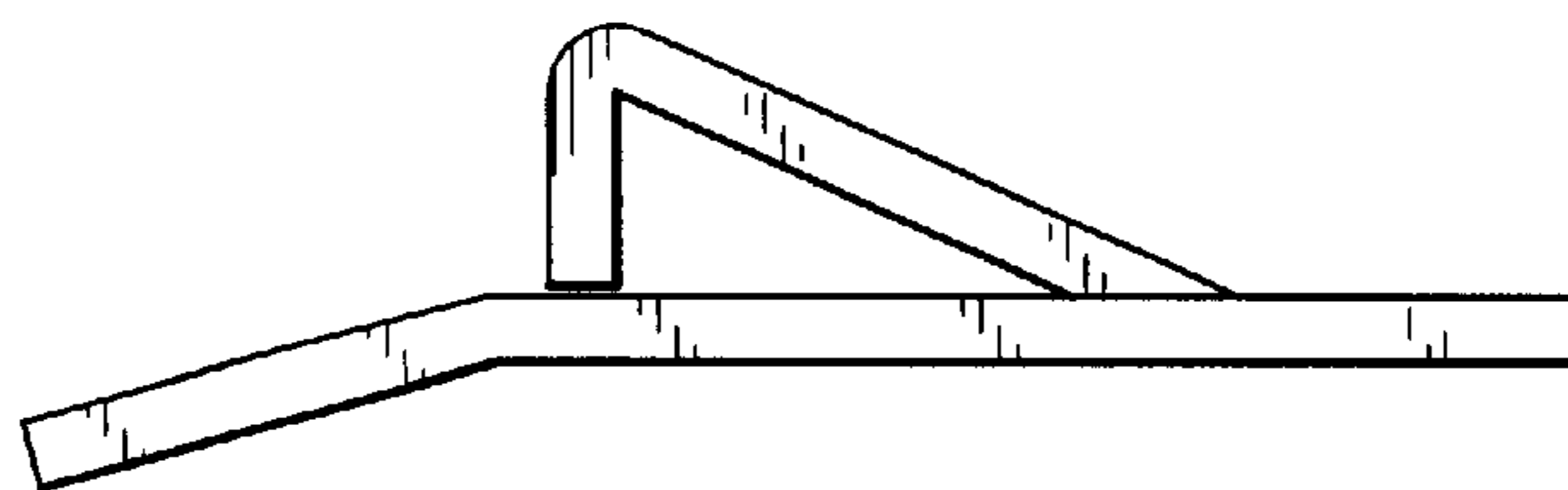


Fig. 14