



US00D416076S

# United States Patent [19] Okitsu

[11] Patent Number: **Des. 416,076**

[45] Date of Patent: **\*\* Nov. 2, 1999**

[54] **PRESSURE REDUCING VALVE**  
[75] Inventor: **Masayuki Okitsu**, Yawara-mura, Japan  
[73] Assignee: **SMC Corporation**, Japan  
[\*\*] Term: **14 Years**

D. 306,059 2/1990 Miller et al. .... D23/235  
D. 318,713 7/1991 Miyake et al. .... D23/235  
D. 328,945 8/1992 Aarthun et al. .... D23/233  
2,215,597 9/1940 Semon et al. .... 137/505

*Primary Examiner*—Robin V. Taylor  
*Attorney, Agent, or Firm*—Baker & Botts, L.L.P.

[21] Appl. No.: **29/085,898**  
[22] Filed: **Apr. 1, 1998**

### [57] CLAIM

The ornamental design for a pressure reducing valve, as shown and described.

### [30] Foreign Application Priority Data

Oct. 15, 1997 [JP] Japan ..... 9-71224

### DESCRIPTION

[51] **LOC (6) Cl.** ..... **23-01**  
[52] **U.S. Cl.** ..... **D23/235**  
[58] **Field of Search** ..... D23/233–235,  
D23/244–246; 137/505, 505.42, 116.3

FIG. 1 is a front elevational view of a pressure reducing valve according to my new design;  
FIG. 2 is a rear elevational view thereof;  
FIG. 3 is a top plan view thereof;  
FIG. 4 is a bottom plan view thereof;  
FIG. 5 is a left side elevational view thereof;  
FIG. 6 is a right side elevational view thereof; and,  
FIG. 7 is a perspective view thereof.

### [56] References Cited

#### U.S. PATENT DOCUMENTS

D. 301,917 6/1989 Ogasawara et al. .... D23/235

**1 Claim, 3 Drawing Sheets**

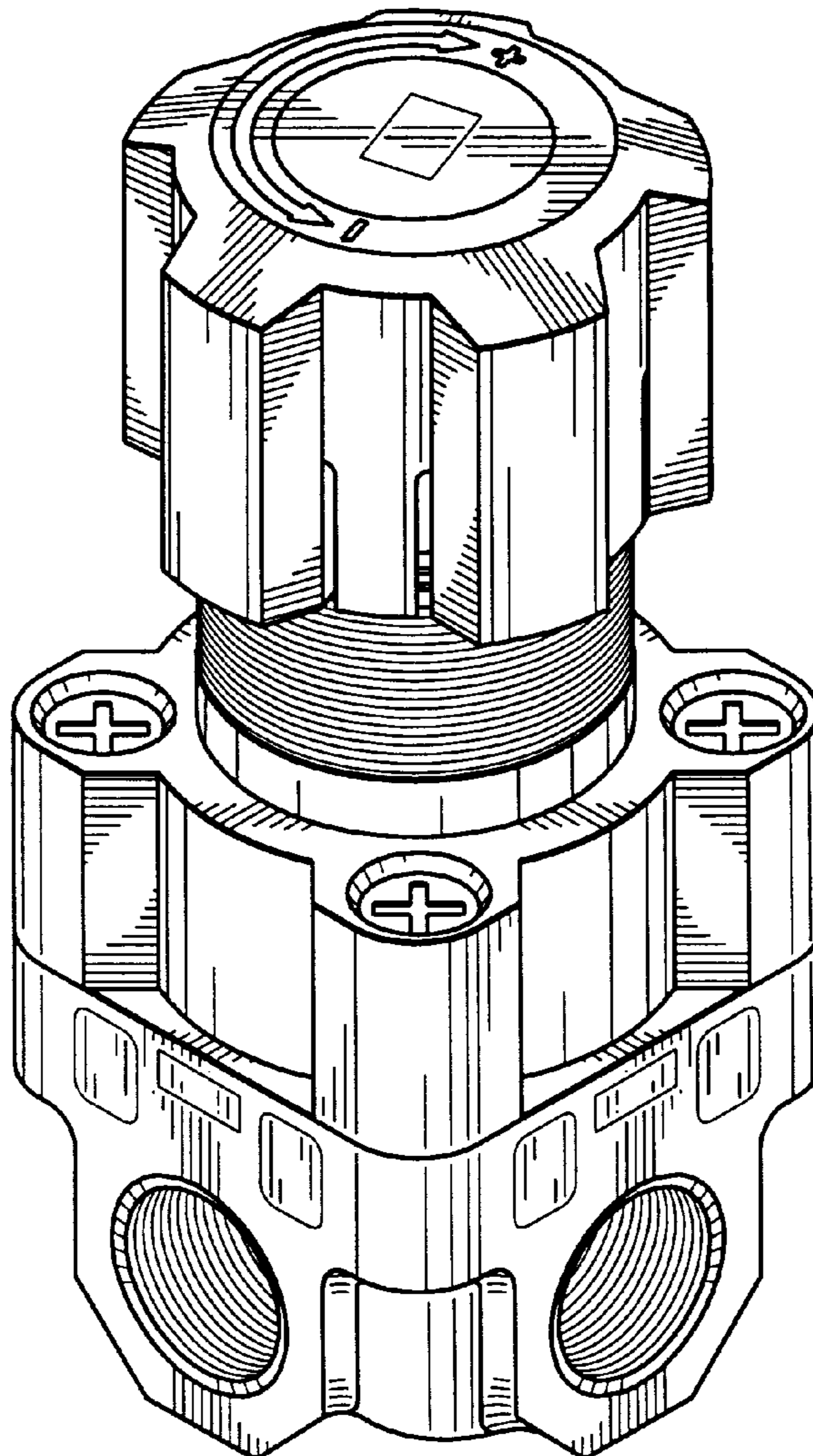


FIG. 1

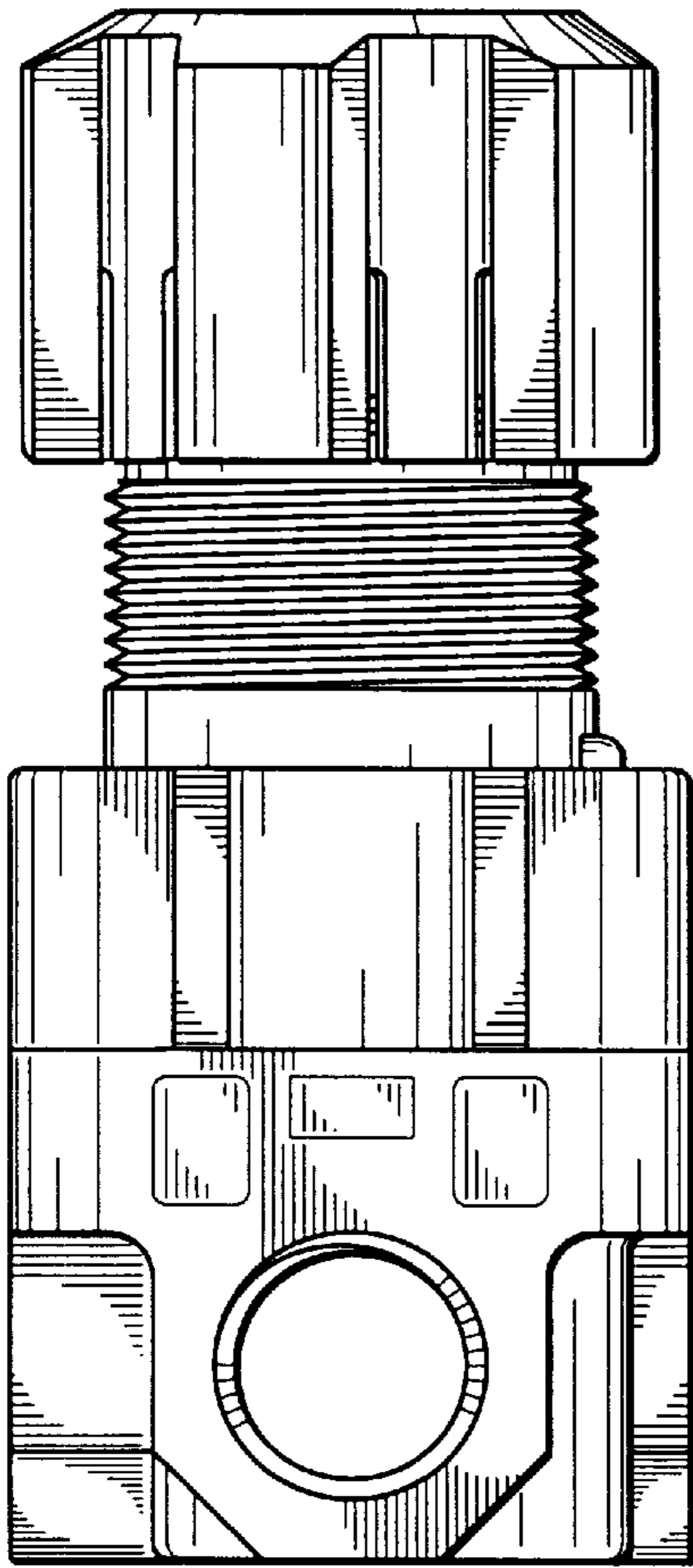


FIG. 2

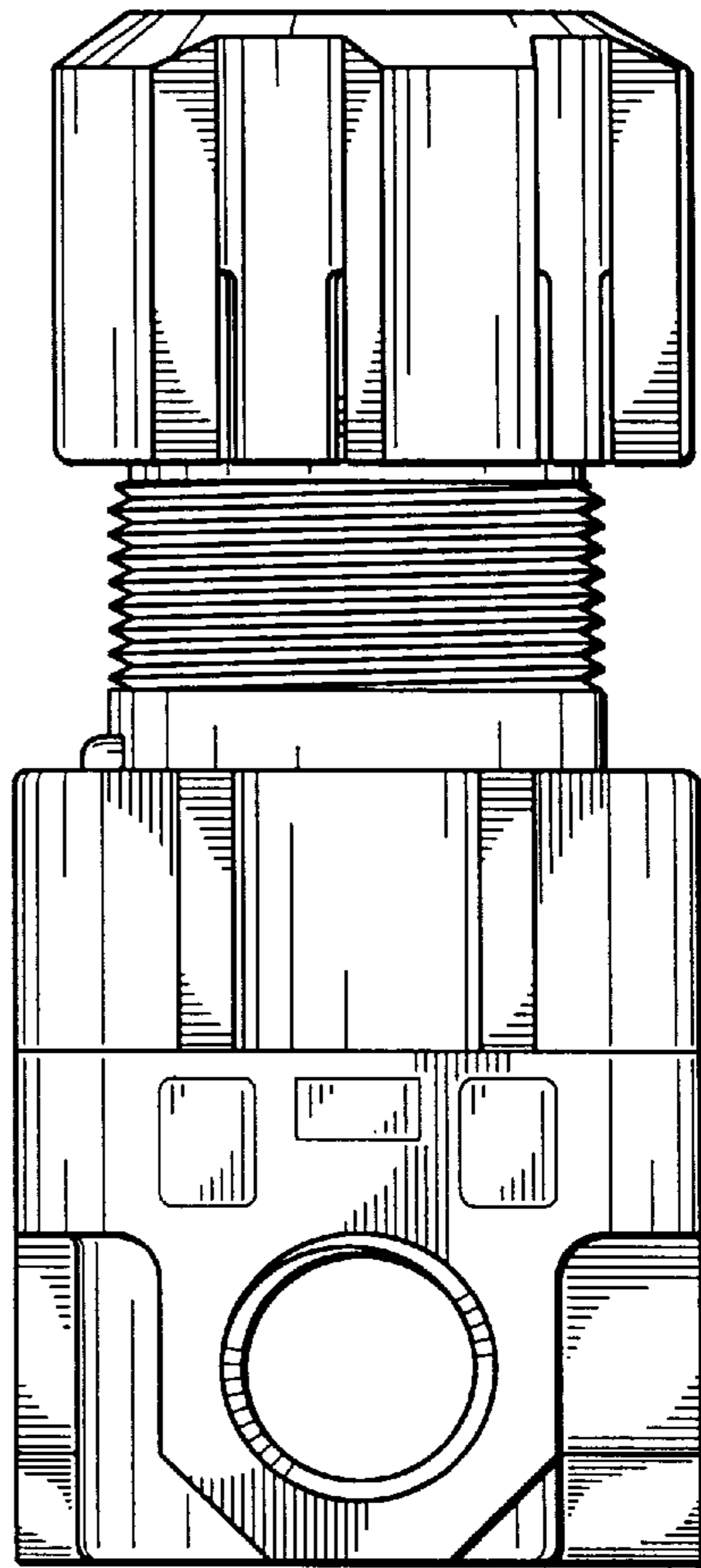


FIG. 3

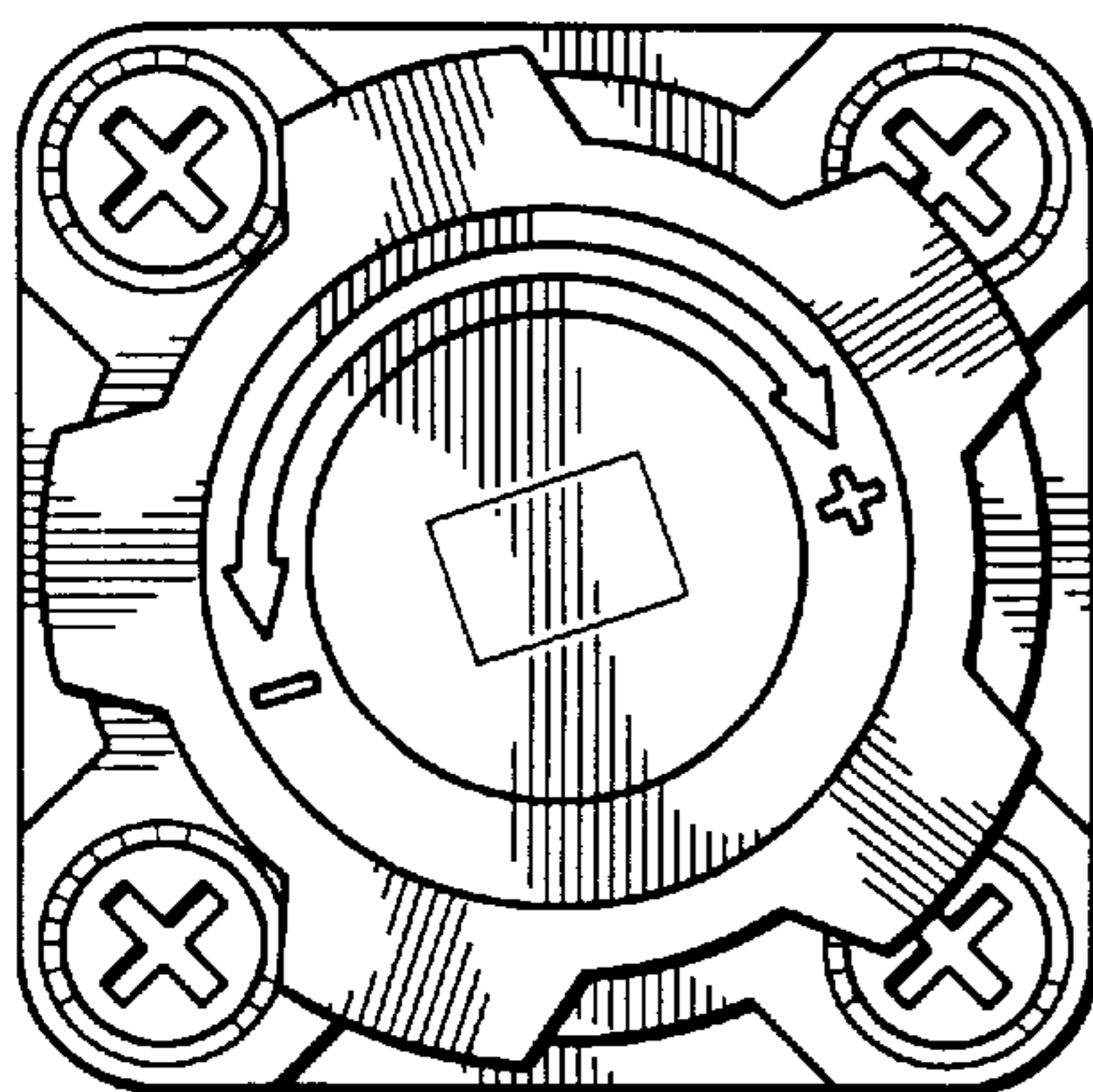


FIG. 4

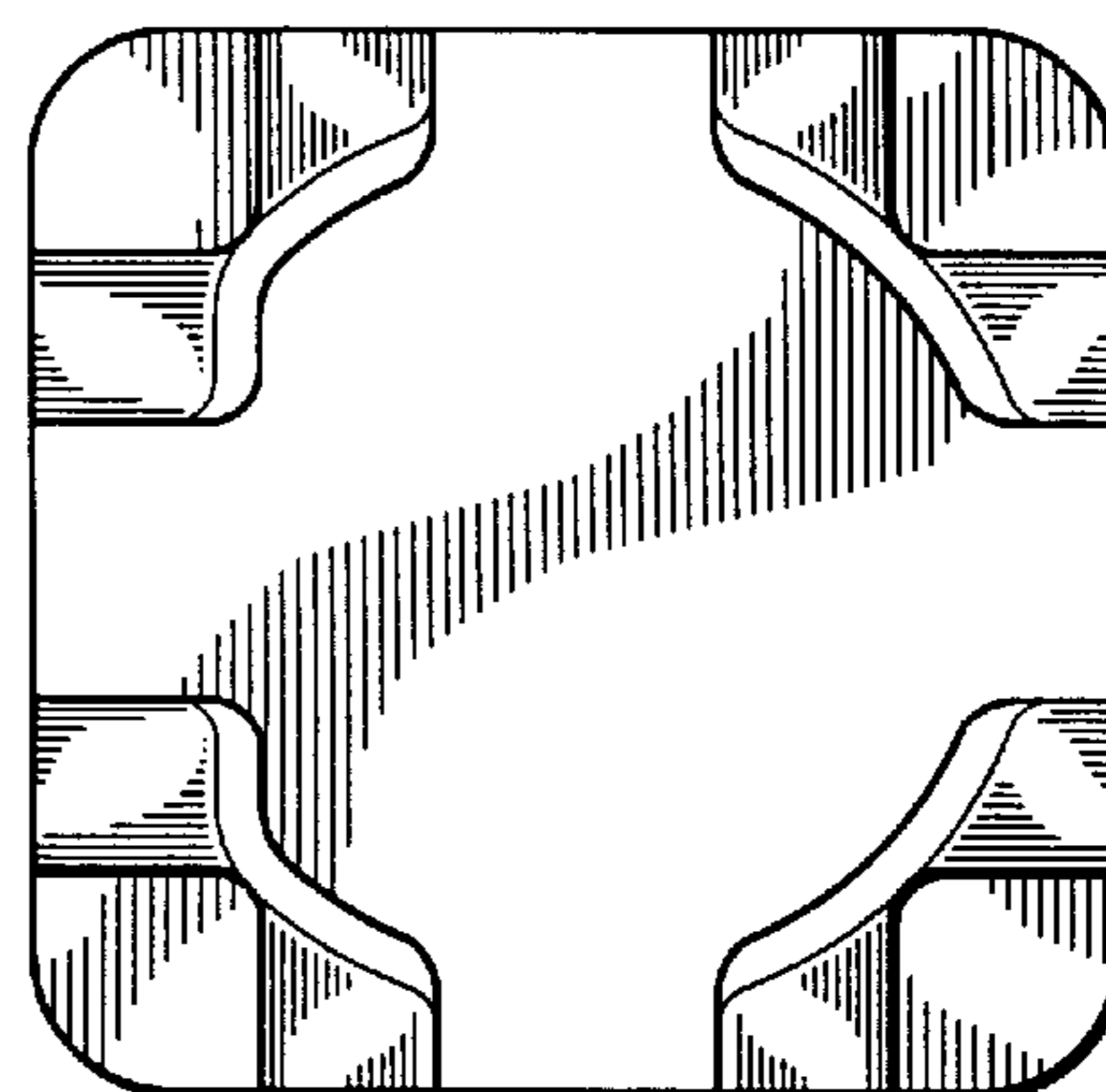


FIG. 5

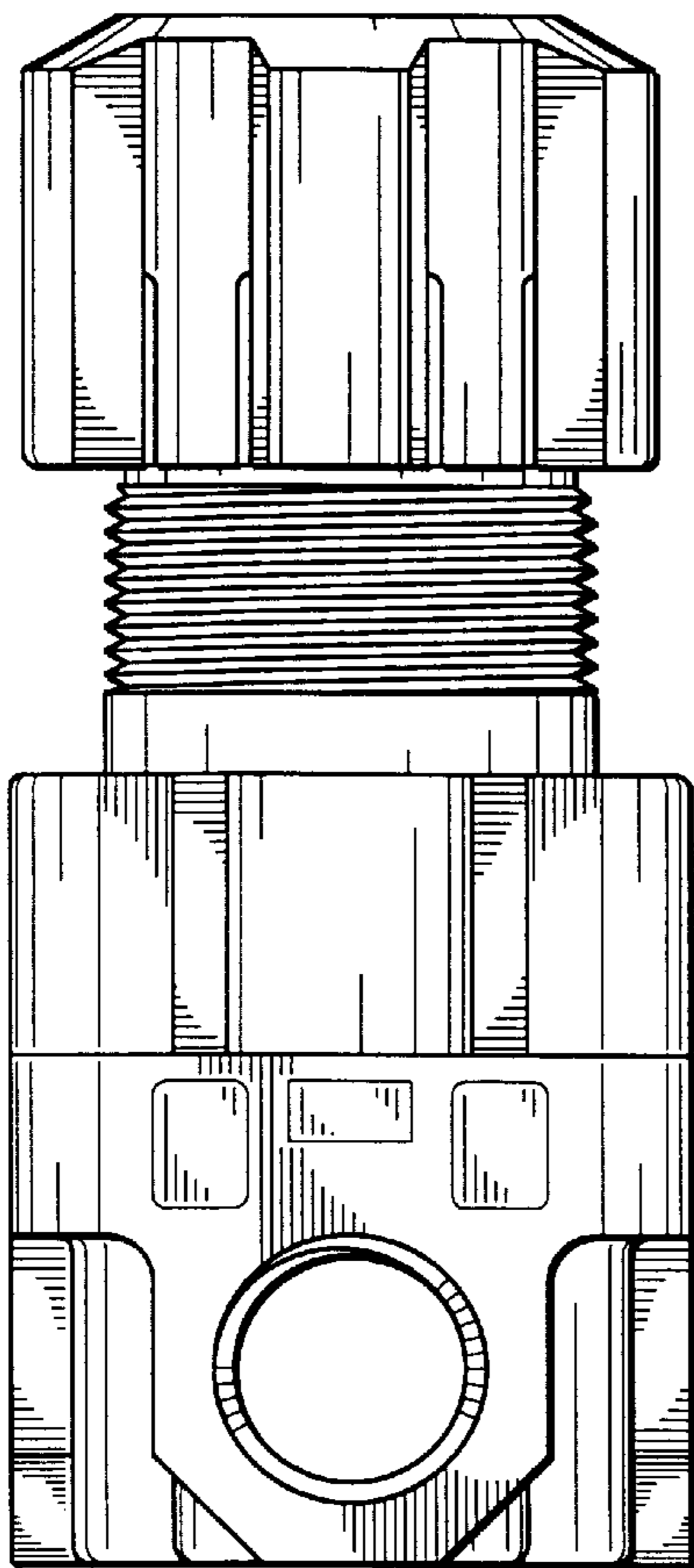


FIG. 6

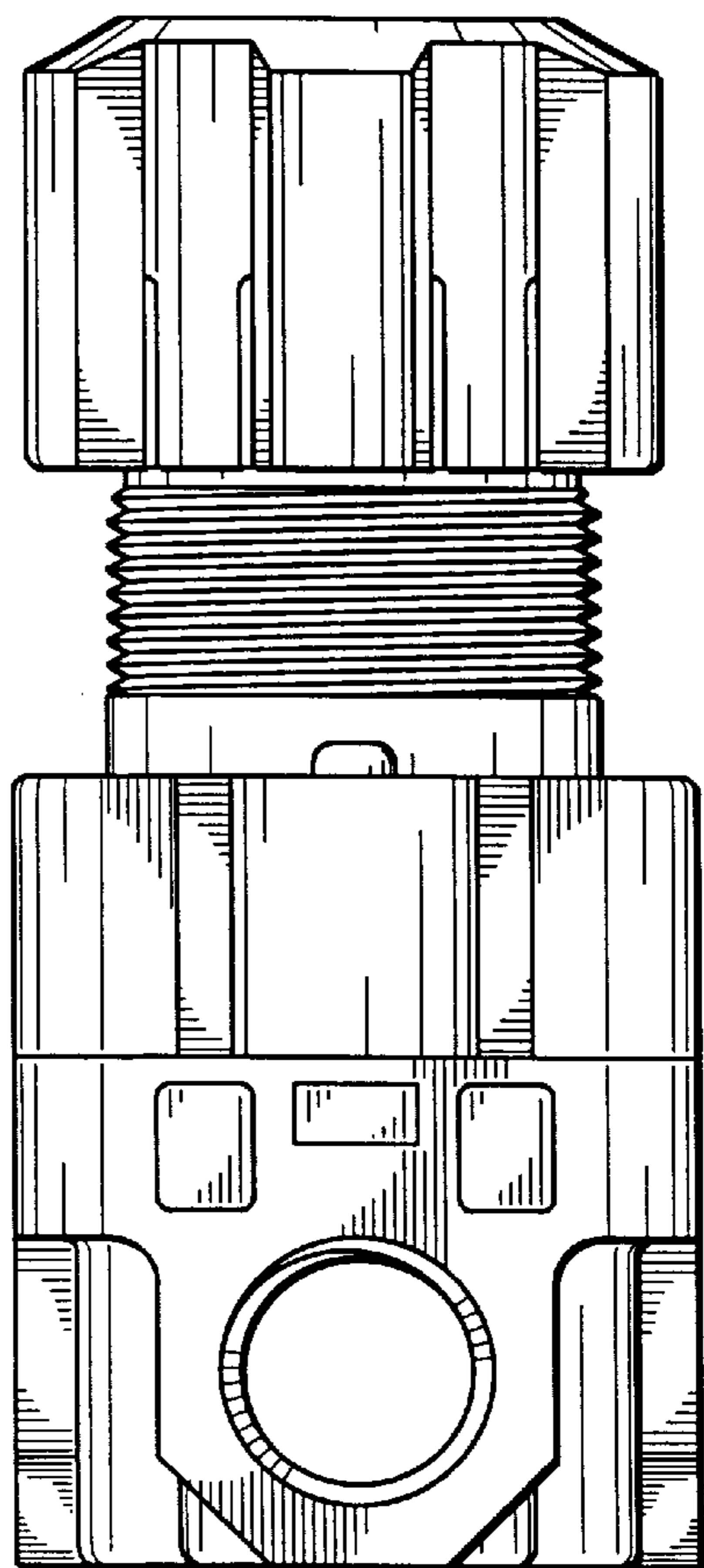


FIG. 7

