



US00D416075S

**United States Patent** [19]  
**Chan**

[11] **Patent Number: Des. 416,075**

[45] **Date of Patent: \*\* Nov. 2, 1999**

[54] **SHOWER HEAD**

D. 325,770 4/1992 Hang et al. .... D23/213  
D. 348,718 7/1994 Garrison ..... D23/213  
D. 364,915 12/1995 Huang ..... D23/213

[75] Inventor: **Jason Siu Ming Chan**, North Point,  
The Hong Kong Special Administrative  
Region of the People's Republic of  
China

*Primary Examiner*—Robin V. Taylor  
*Attorney, Agent, or Firm*—Leydig, Voit & Mayer, Ltd.

[73] Assignee: **Aquamate Company Ltd.**, Kowloon,  
The Hong Kong Special Administrative  
Region of the People's Republic of  
China

[57] **CLAIM**

The ornamental design for a shower head, as shown and described.

[\*\*] Term: **14 Years**

**DESCRIPTION**

[21] Appl. No.: **29/099,557**

FIG. 1 is a front and left side perspective view of a shower head showing my new design;

[22] Filed: **Jan. 22, 1999**

FIG. 2 is a front elevational view thereof;

[51] **LOC (6) Cl.** ..... **23-01**

FIG. 3 is a rear elevational view thereof;

[52] **U.S. Cl.** ..... **D23/229**

FIG. 4 is a left side elevational view thereof;

[58] **Field of Search** ..... D23/213-4, 228-230;  
239/414-5, 459-462, 394

FIG. 5 is a right side elevational view thereof;

FIG. 6 is a top plan view thereof; and,

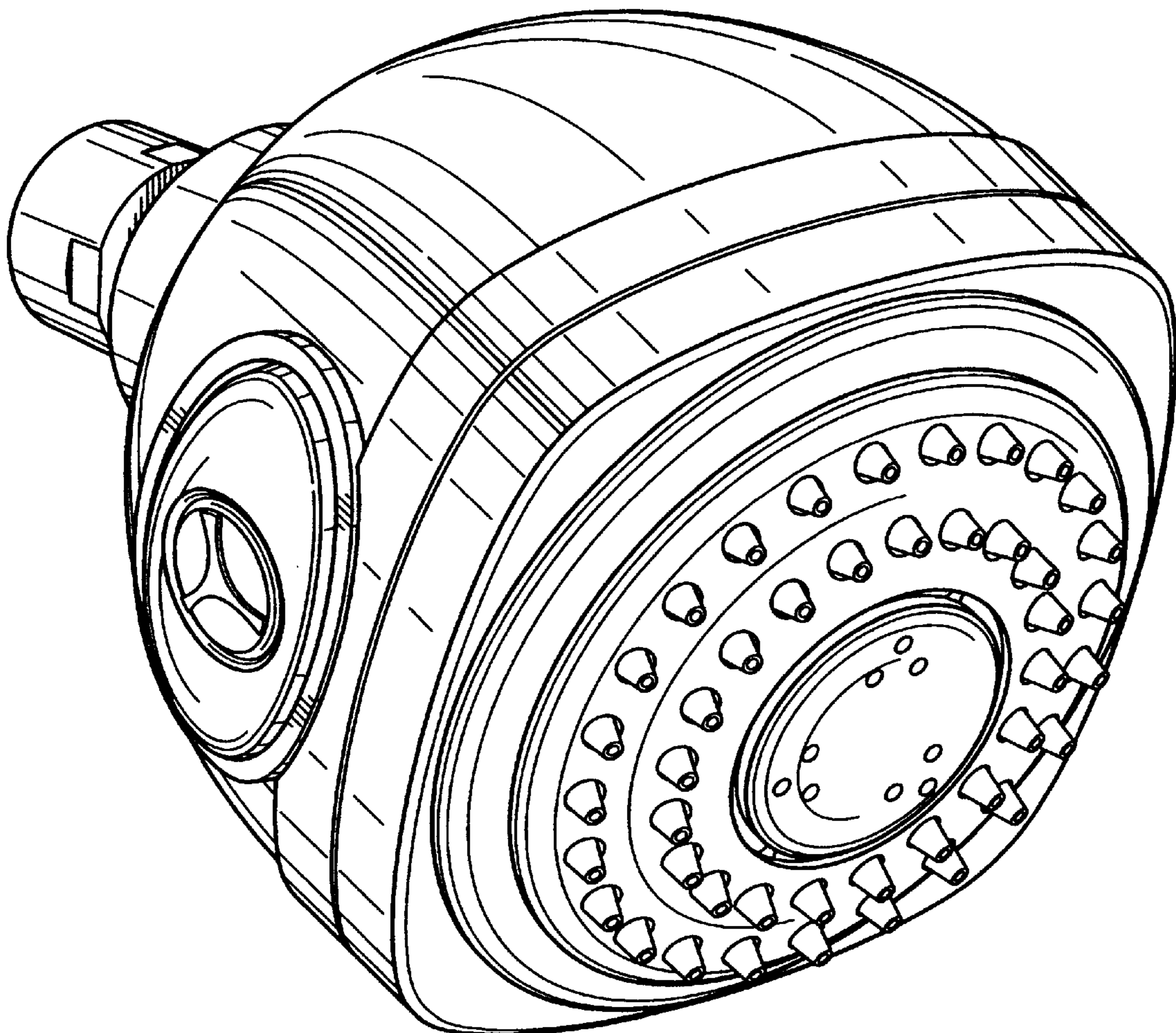
FIG. 7 is a bottom plan view thereof.

[56] **References Cited**

**U.S. PATENT DOCUMENTS**

D. 314,608 2/1991 Presman ..... D23/213

**1 Claim, 5 Drawing Sheets**



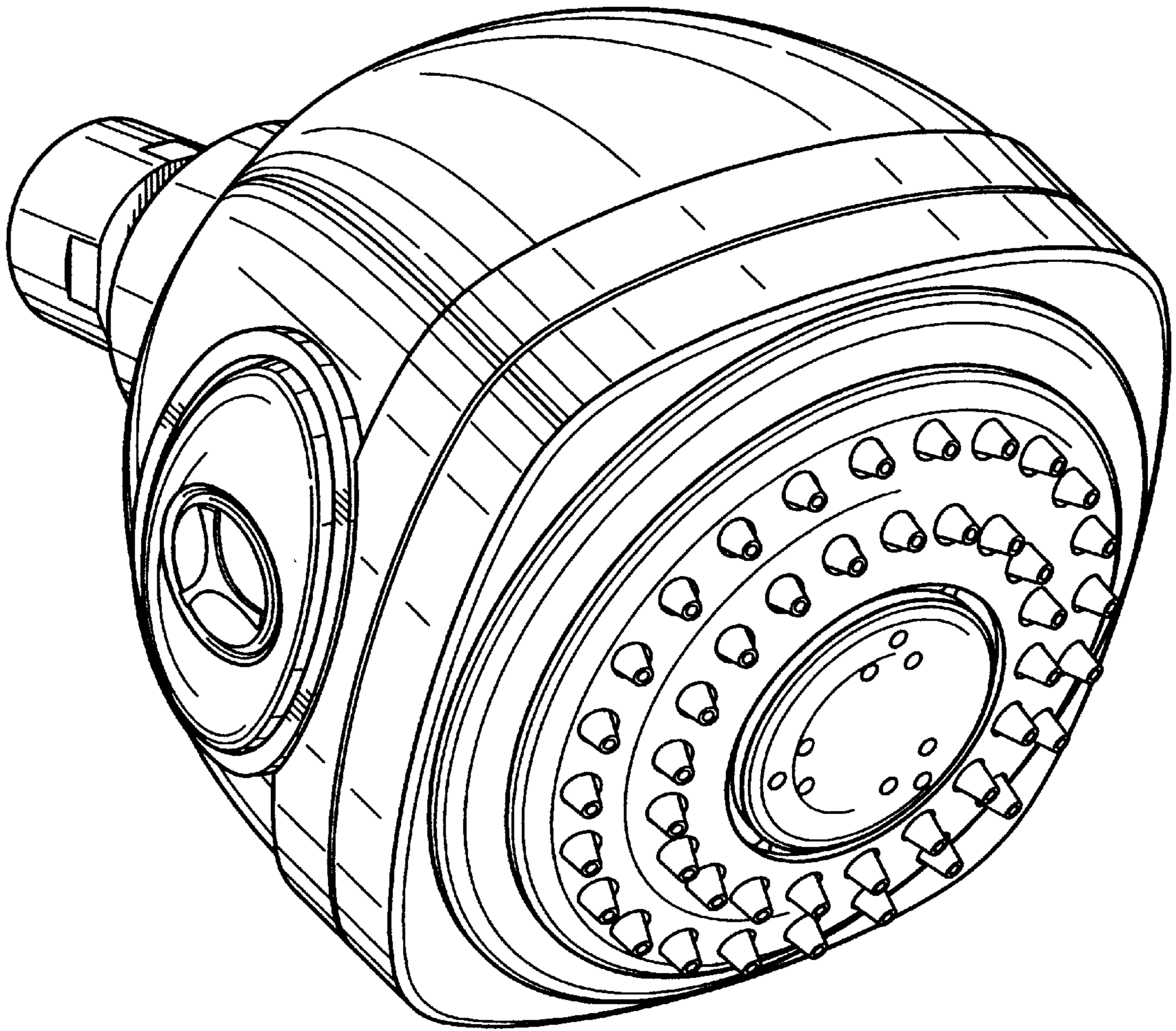


FIG. 1



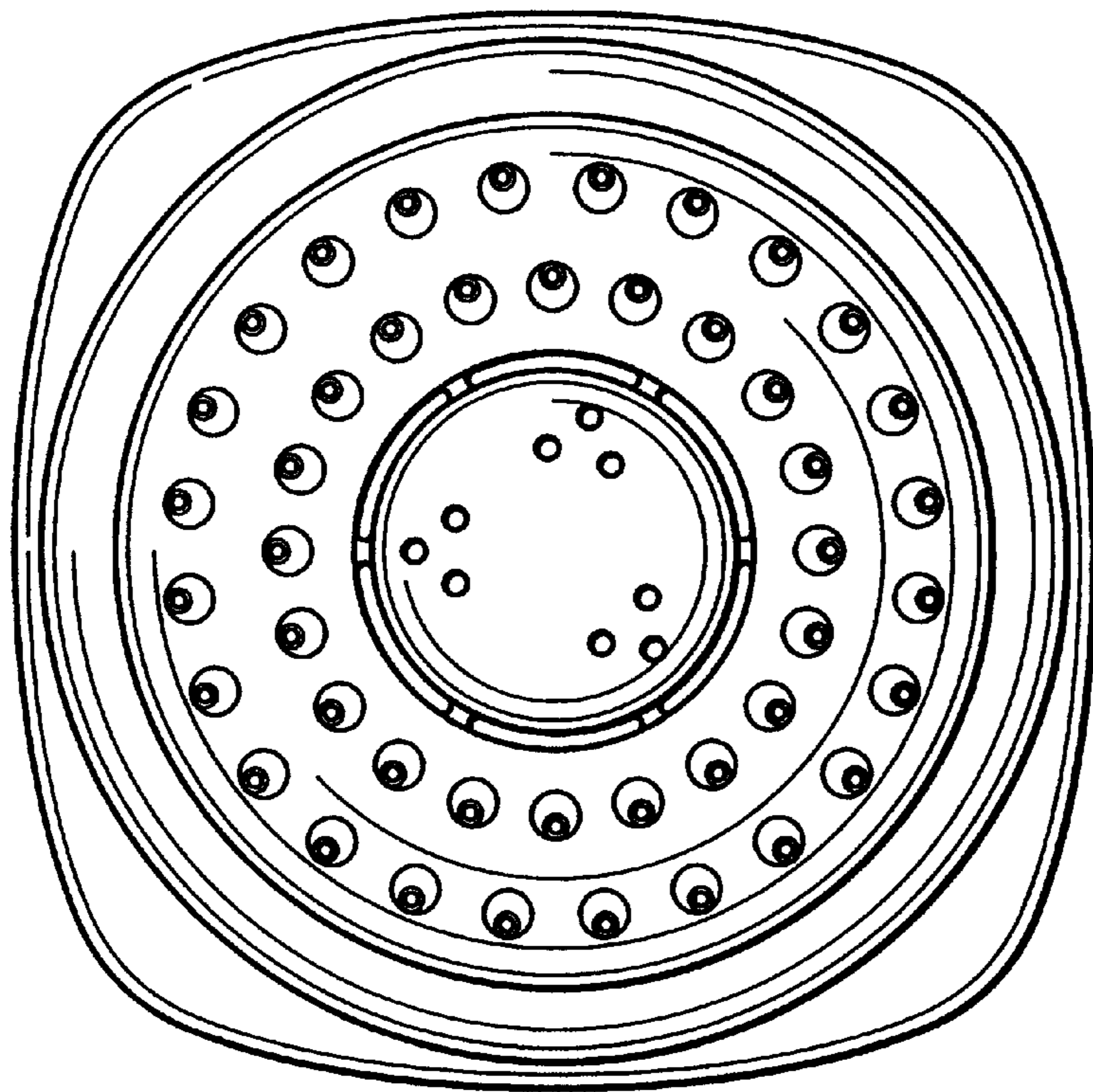


FIG. 2

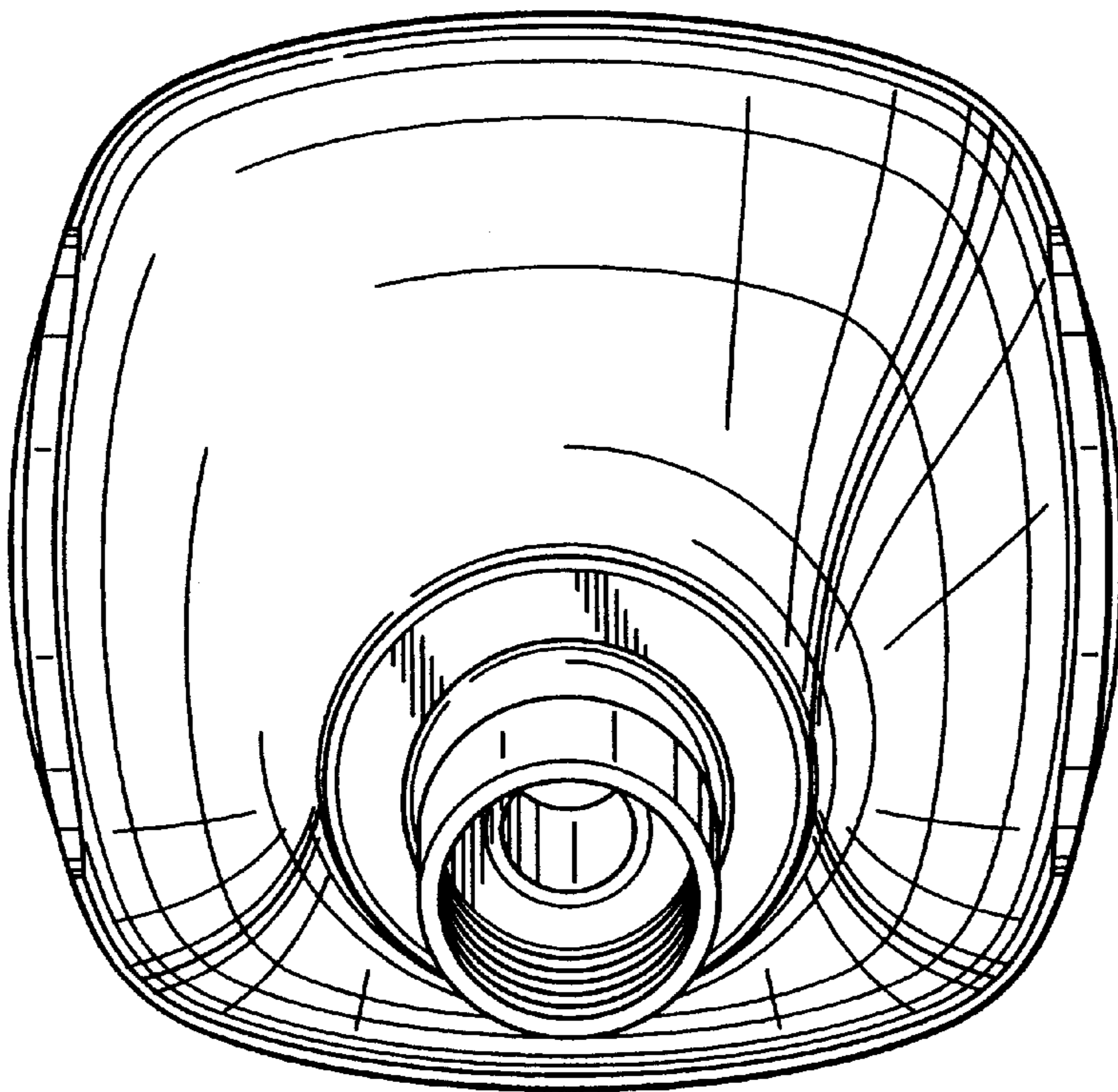


FIG. 3

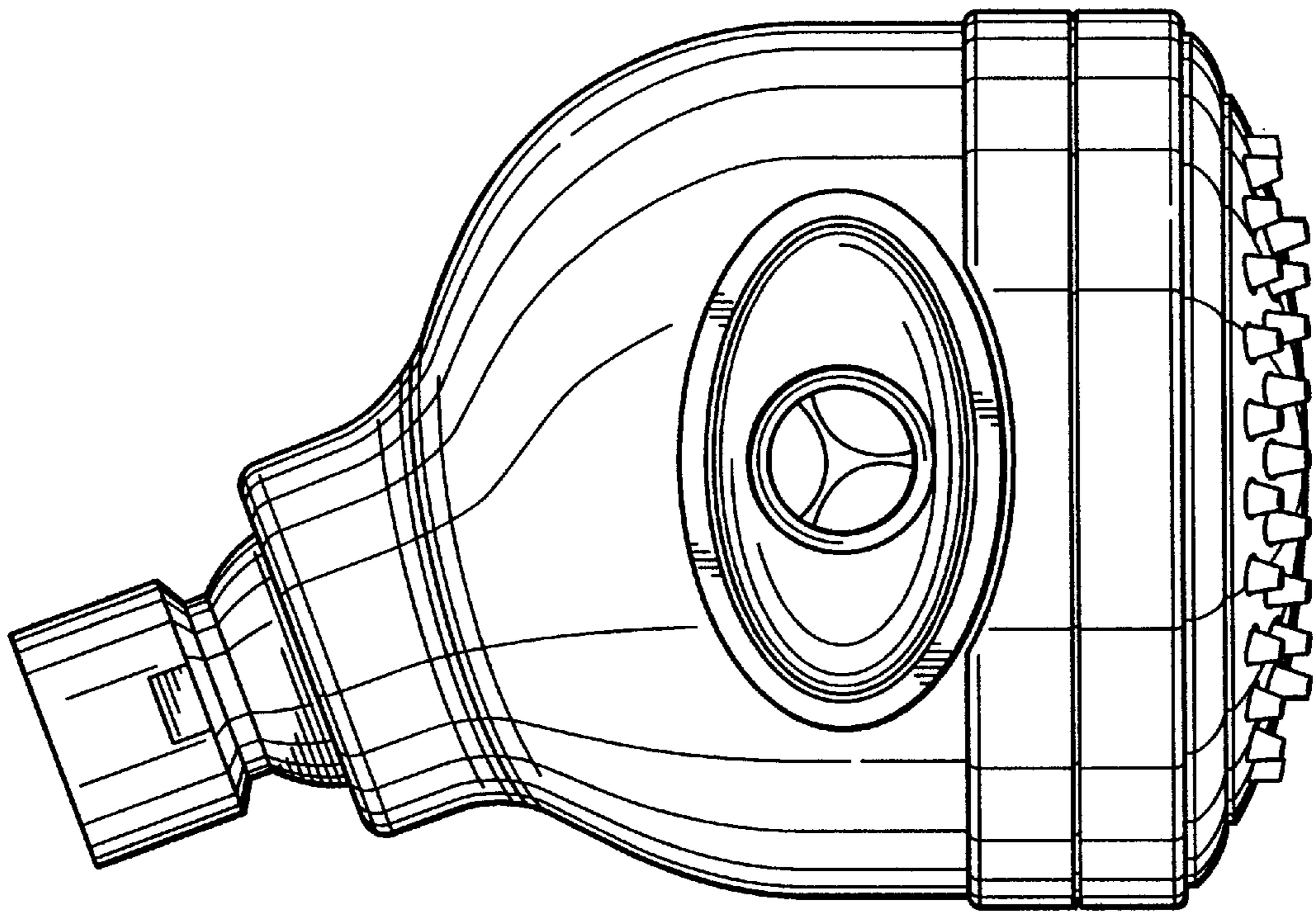


FIG. 4

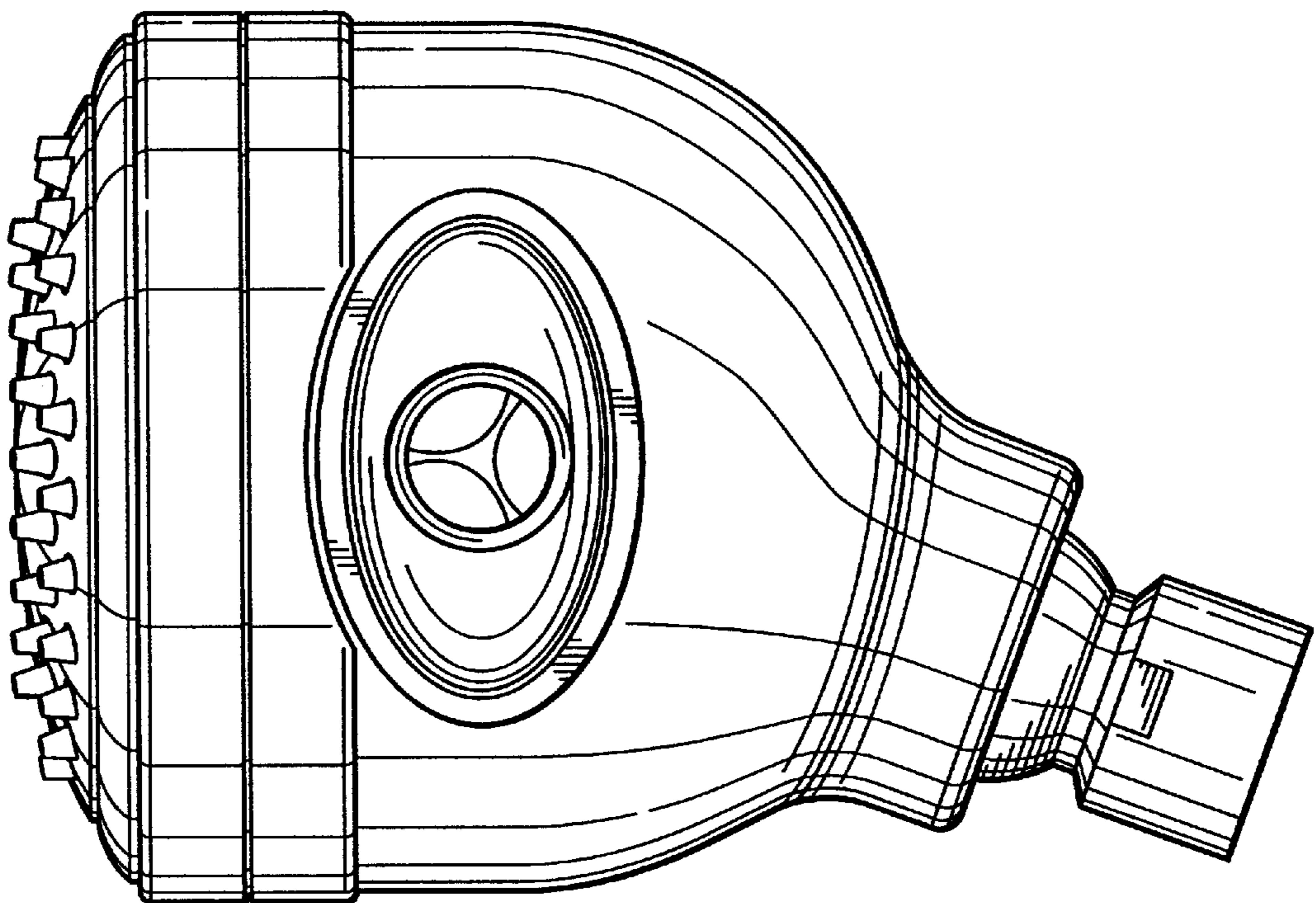


FIG. 5

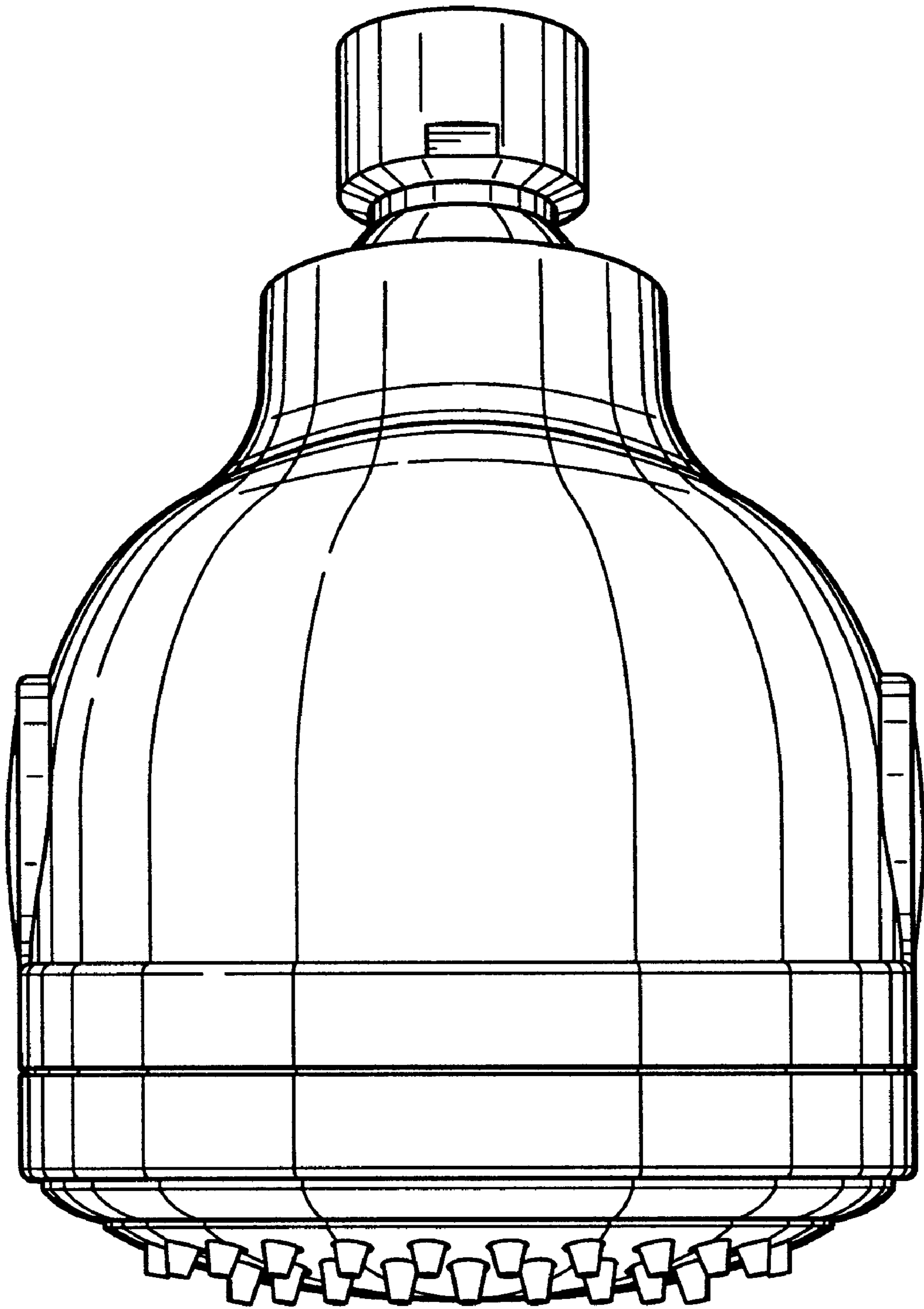


FIG. 6

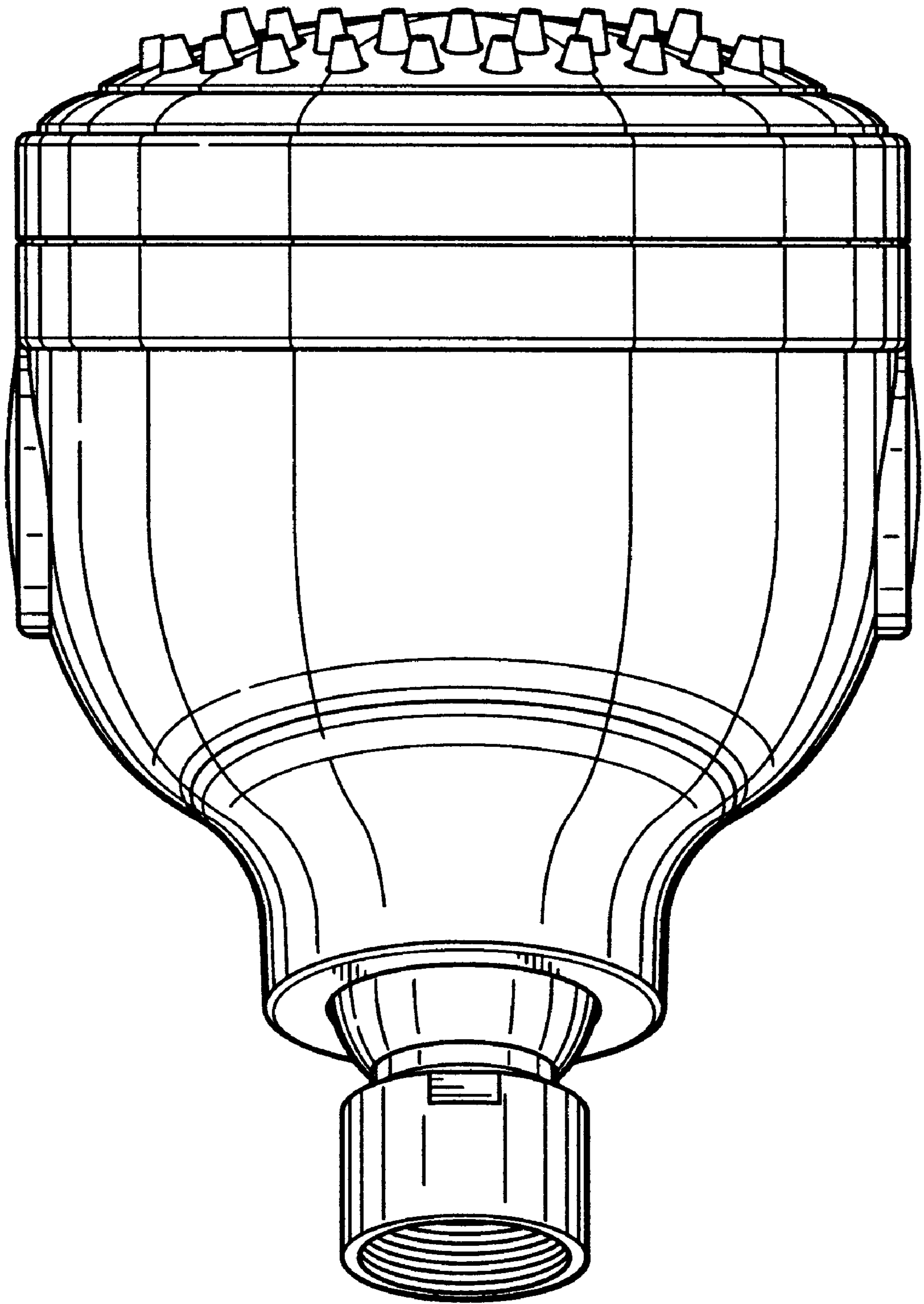


FIG. 7