



US00D416074S

# United States Patent [19] Mogg

[11] **Patent Number: Des. 416,074**

[45] **Date of Patent: \*\* Nov. 2, 1999**

[54] **WATER TAP FOR USE IN MICROIRRIGATION SYSTEMS**

[75] Inventor: **Stanley Ross Mogg**, Upper Mount Gravatt, Australia

[73] Assignee: **PPI Corporation Pty. Ltd.**, Geebung, Australia

[\*\*] Term: **14 Years**

[21] Appl. No.: **29/093,280**

[22] Filed: **Sep. 8, 1998**

[30] **Foreign Application Priority Data**

Mar. 20, 1998 [AU] Australia ..... 790/98

[51] **LOC (6) Cl.** ..... **23-01**

[52] **U.S. Cl.** ..... **D23/214**

[58] **Field of Search** ..... D23/213, 214; 137/561 R; 239/542, 444, 566, 288.3, 550, 551, 547

[56] **References Cited**

**U.S. PATENT DOCUMENTS**

D. 394,898 6/1998 Evans ..... D23/214

1,484,575	2/1924	Shulin .....	239/550
2,548,788	4/1951	Helme .....	239/550
3,445,065	5/1969	Waldrum .....	239/550
5,065,944	11/1991	D'Amato .....	239/550
5,564,448	10/1996	Lincoln .....	239/550

*Primary Examiner*—Robin V. Taylor  
*Attorney, Agent, or Firm*—Panitch Schwarze Jacobs & Nadel, P.C.

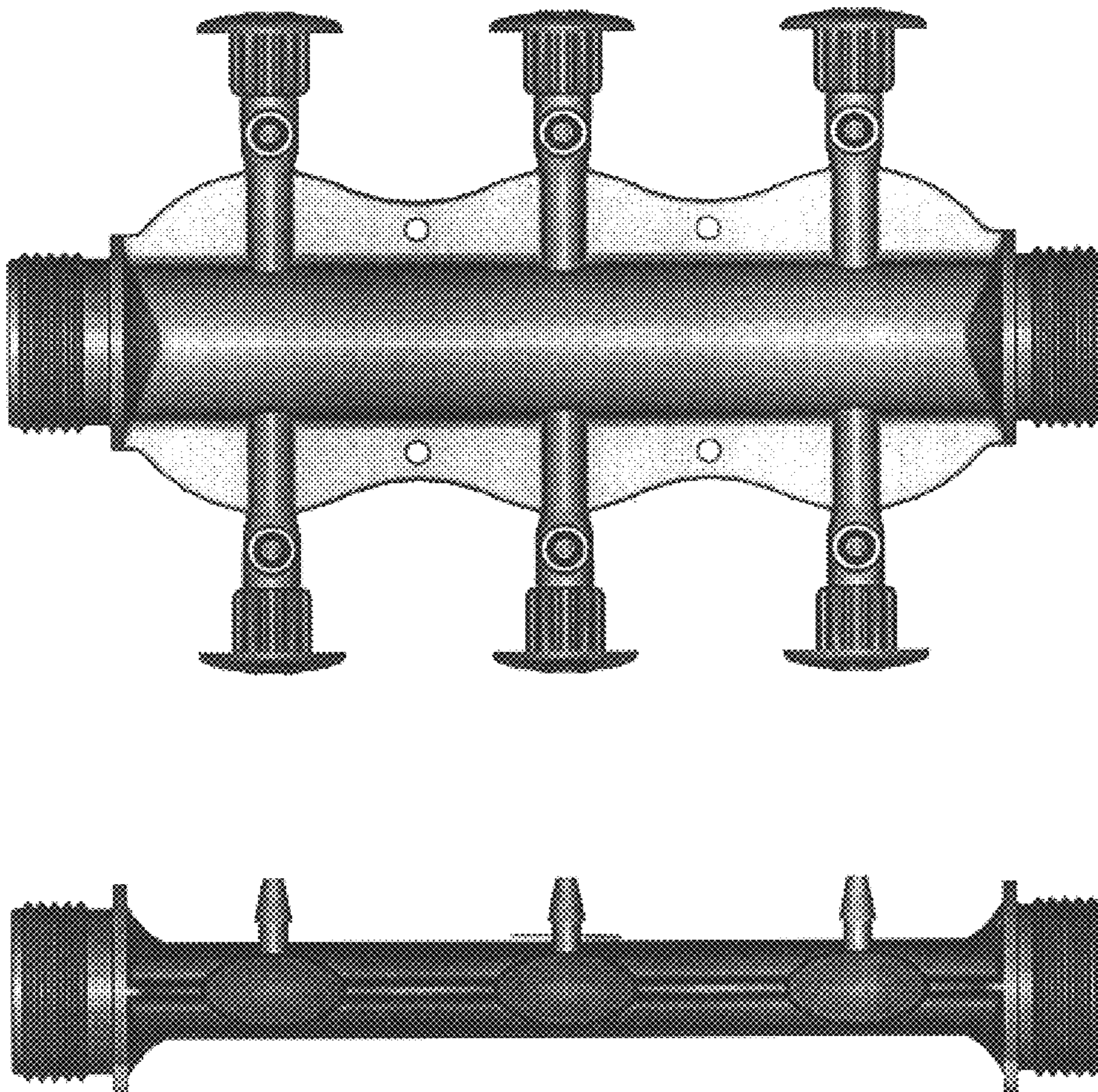
[57] **CLAIM**

The ornamental design for a water tap for use in microirrigation systems, as shown and described.

**DESCRIPTION**

FIG. 1 is a plan view of a water tap for use in microirrigation systems showing my new design;  
FIG. 2 is a front view thereof;  
FIG. 3 is an end view thereof;  
FIG. 4 is a bottom view thereof; and,  
FIG. 5 is a perspective view thereof.

**1 Claim, 2 Drawing Sheets**



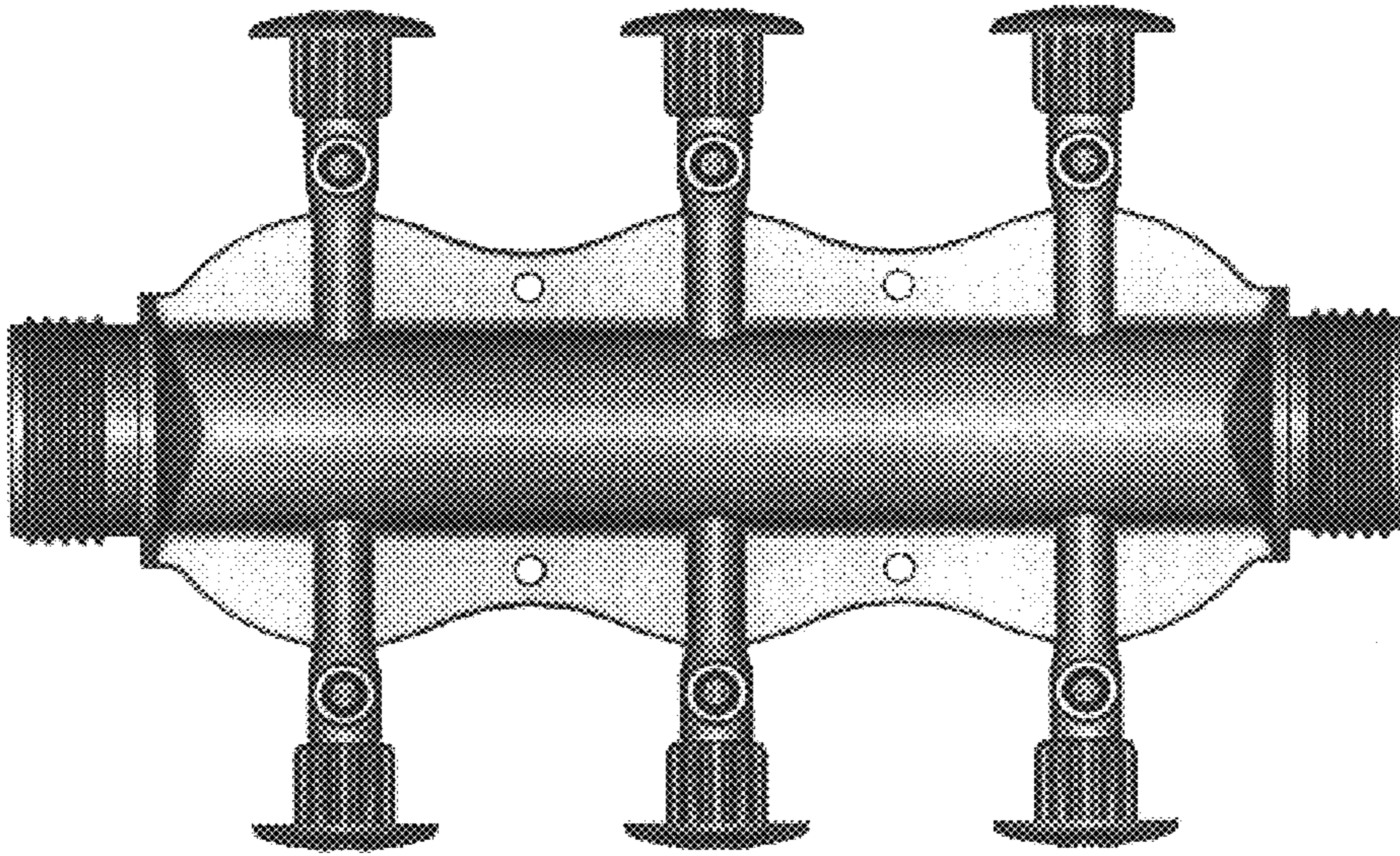


Fig 1

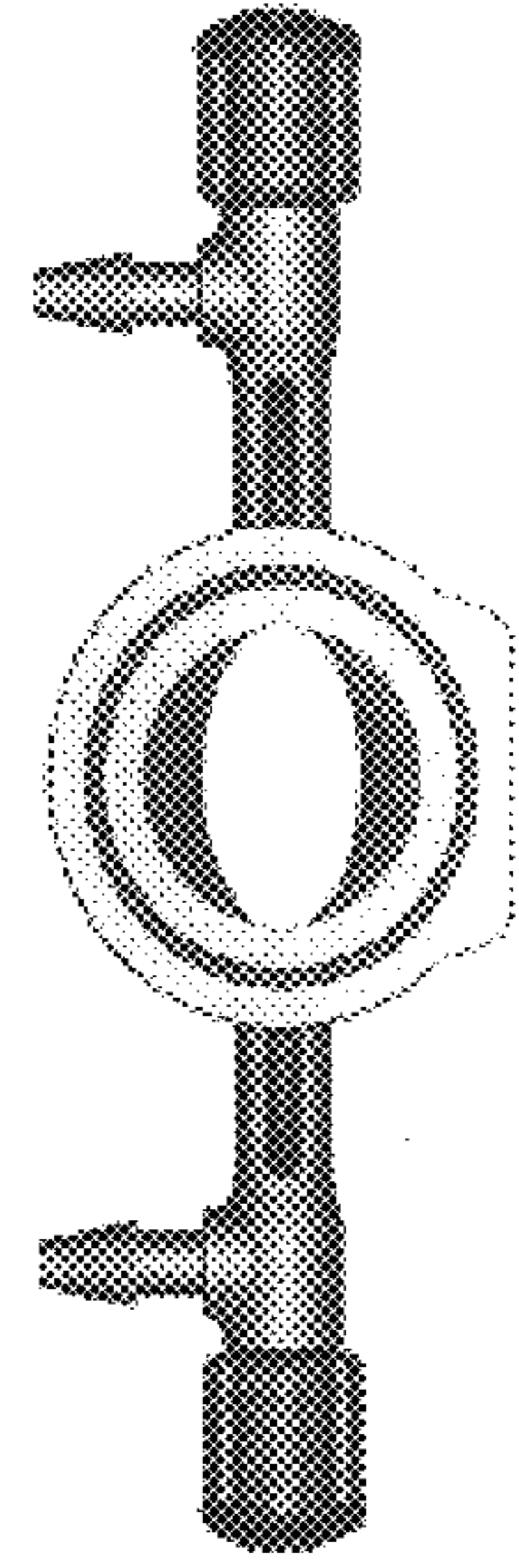


Fig 3

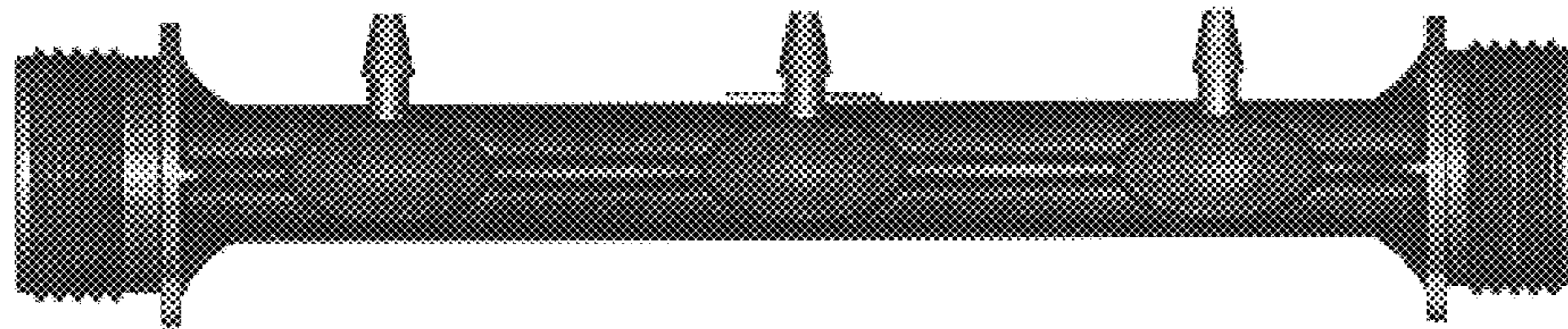


Fig 2

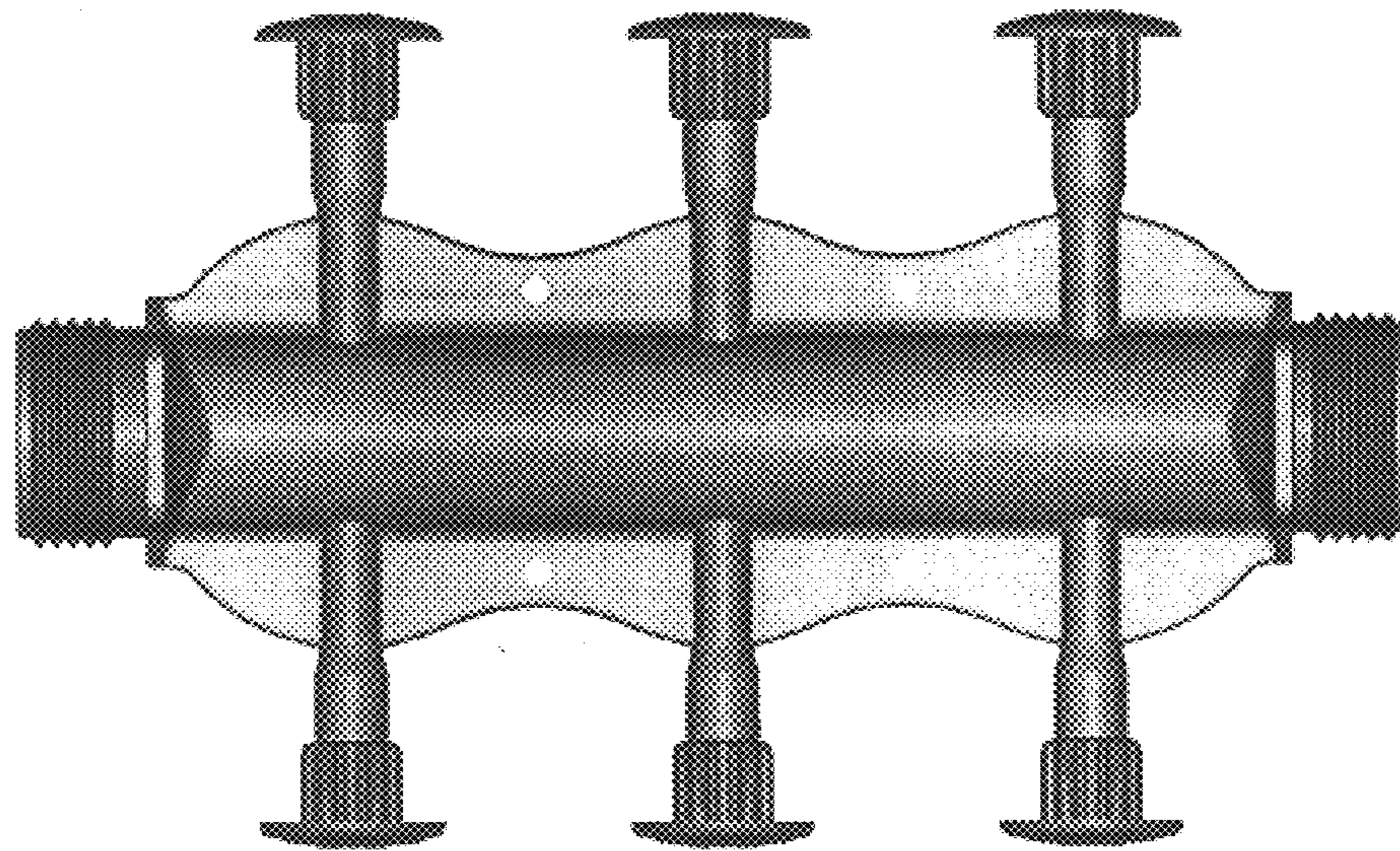


Fig 4

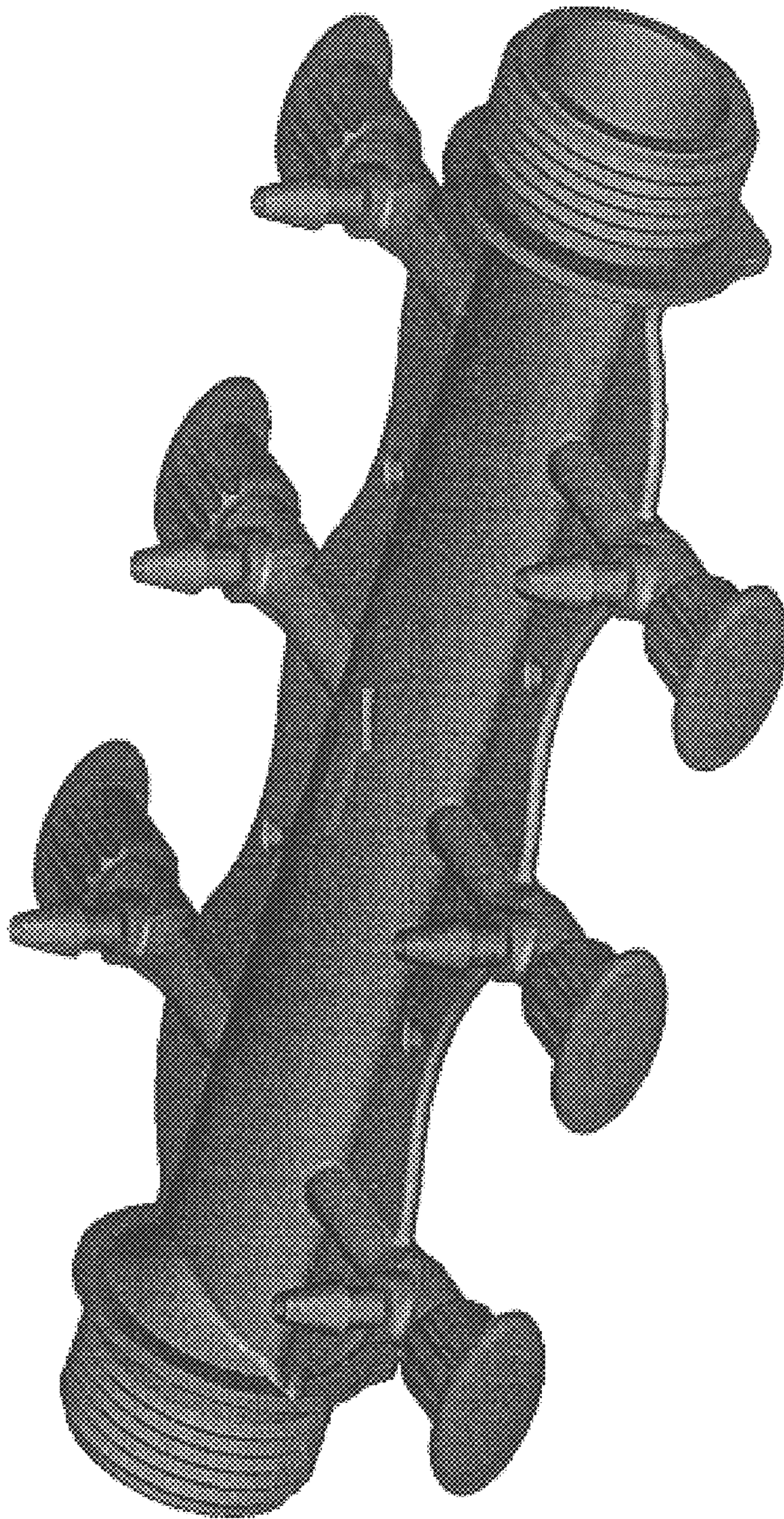


Fig 5