



US00D416070S

# United States Patent [19] Malmberg

[11] Patent Number: **Des. 416,070**

[45] Date of Patent: **\*\* Nov. 2, 1999**

[54] **LIVE BAIT BUCKET TENDER**

[76] Inventor: **James Malmberg**, 4967 Two Mile Rd.,  
Bay City, Mich. 48706

[\*\*] Term: **14 Years**

[21] Appl. No.: **29/085,325**

[22] Filed: **Mar. 20, 1998**

[51] **LOC (6) Cl.** ..... **22-05**

[52] **U.S. Cl.** ..... **D22/136**

[58] **Field of Search** ..... D22/134, 135,  
D22/136, 149, 199; 43/1, 4, 54.1, 55, 56,  
58, 100, 103, 105; 248/117.2, 291.1, 213,  
302; 280/293

[56] **References Cited**

**U.S. PATENT DOCUMENTS**

1,542,672	6/1925	Crapo .	
2,055,218	9/1936	Itezak .....	43/55
2,920,855	1/1960	Giebel .	
2,974,437	3/1961	Stadler .....	43/55
2,990,642	7/1961	Bloom et al. ....	43/55
3,054,588	9/1962	Ondrasik .....	248/117.2
3,660,925	5/1972	Miller .....	43/55

3,722,844	3/1973	Baker .....	248/302
4,937,967	7/1990	Wilding .....	43/55
4,979,759	12/1990	Solovay .....	280/293
5,556,069	9/1996	Malmberg .....	248/291.1

*Primary Examiner*—Louis S. Zarfaz  
*Assistant Examiner*—Inga-Maria Hyttinen  
*Attorney, Agent, or Firm*—John J. Swartz

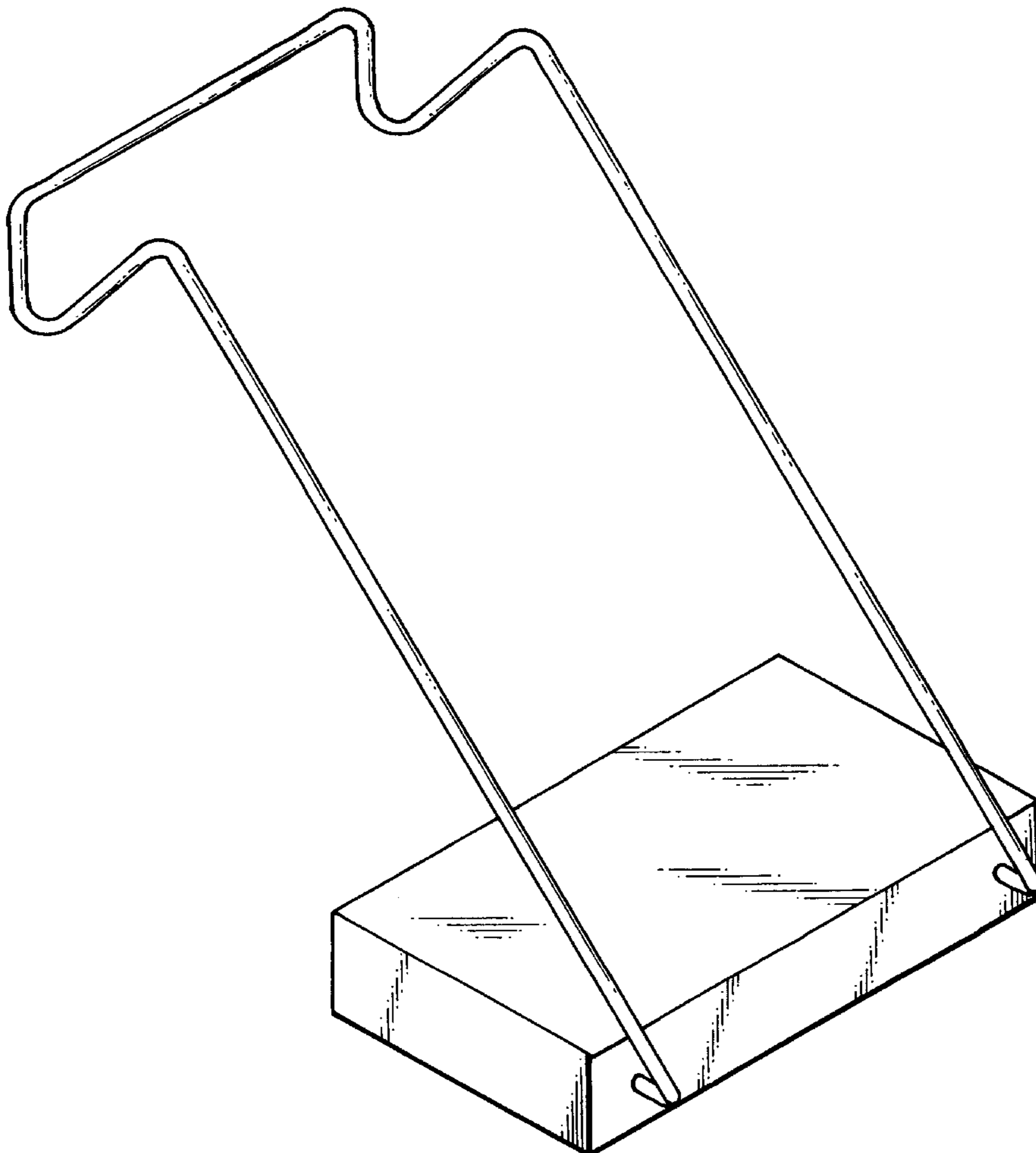
[57] **CLAIM**

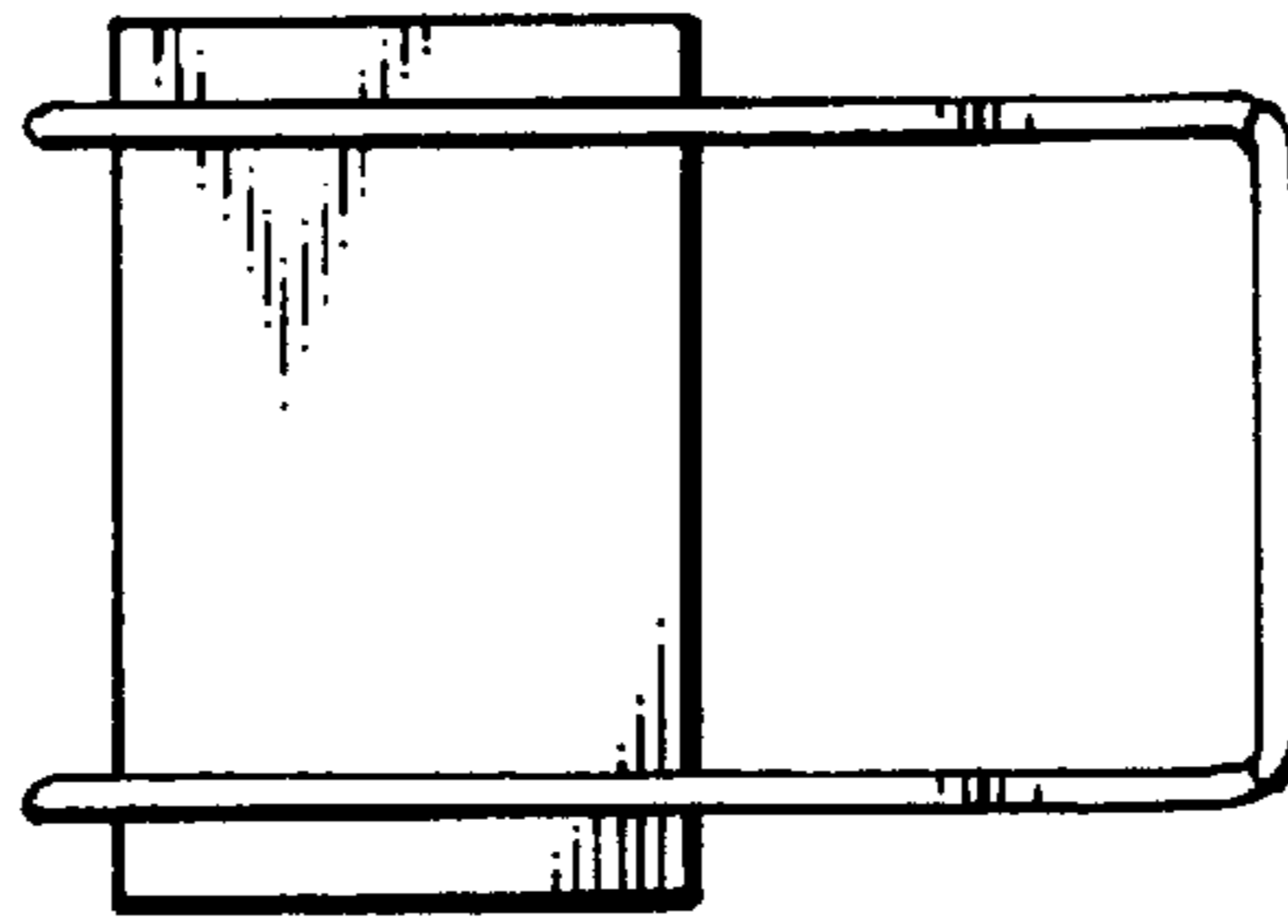
The ornamental design for a live bait bucket tender, as shown and described.

**DESCRIPTION**

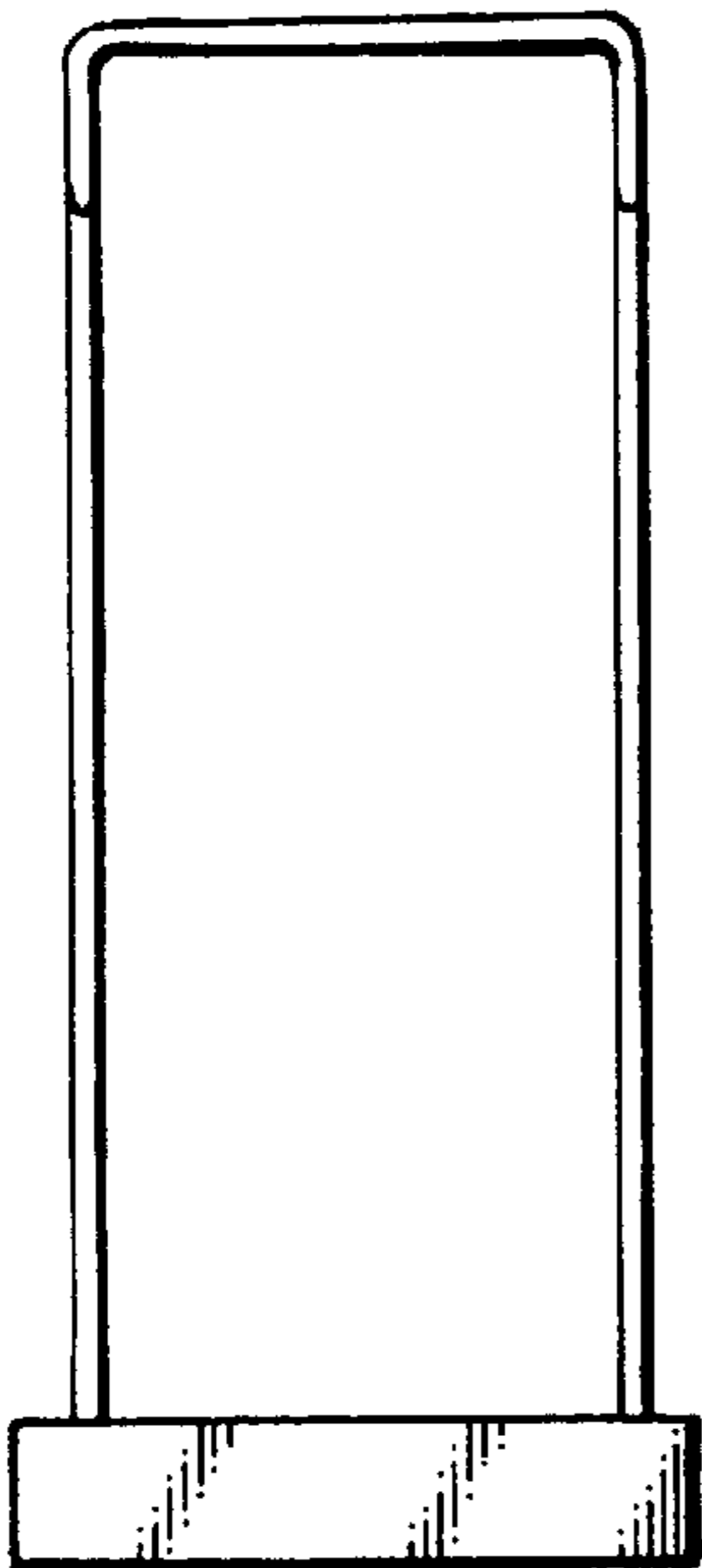
FIG. 1 is an end elevational view of a live bait bucket tender illustrating my new design according to the present invention, it being understood that the opposite end elevational view is a mirror image thereof;  
FIG. 2 is a side elevational view thereof, taken from the left side of FIG. 1;  
FIG. 3 is an opposite side elevational view thereof, taken from the right side of FIG. 1;  
FIG. 4 is a top plan view thereof;  
FIG. 5 is a bottom plan view thereof; and,  
FIG. 6 is an enlarged perspective view thereof.

**1 Claim, 2 Drawing Sheets**

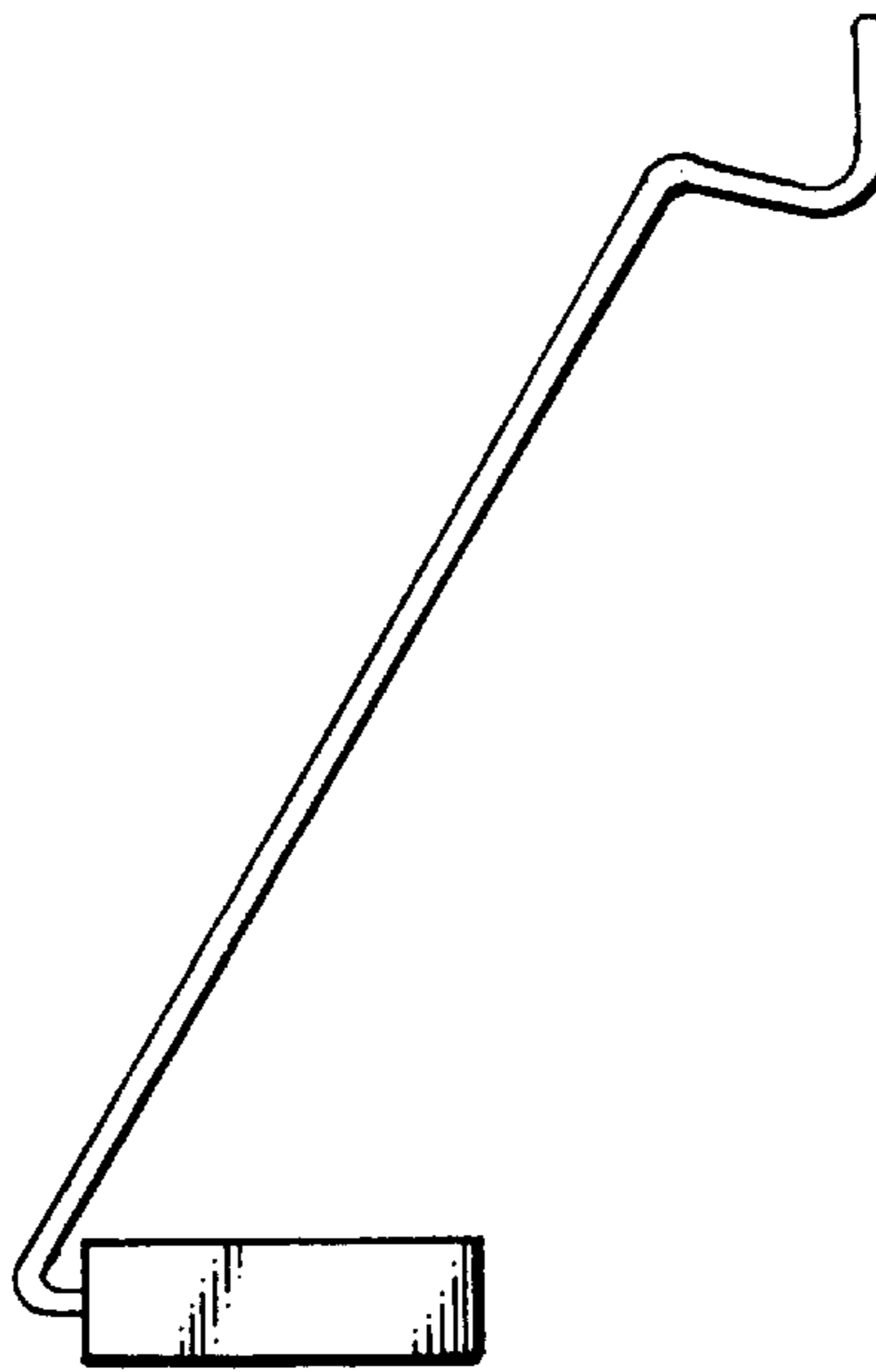




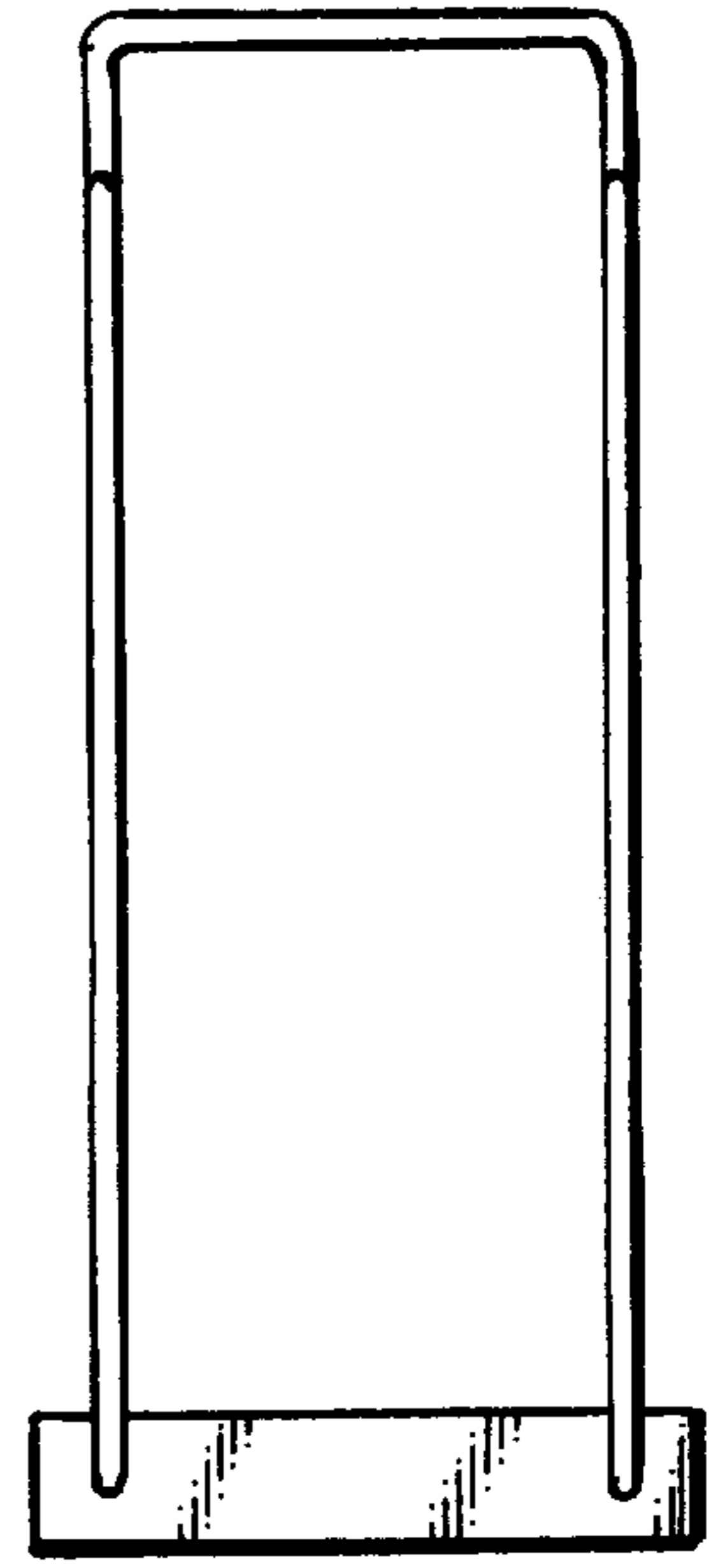
*Fig. 4*



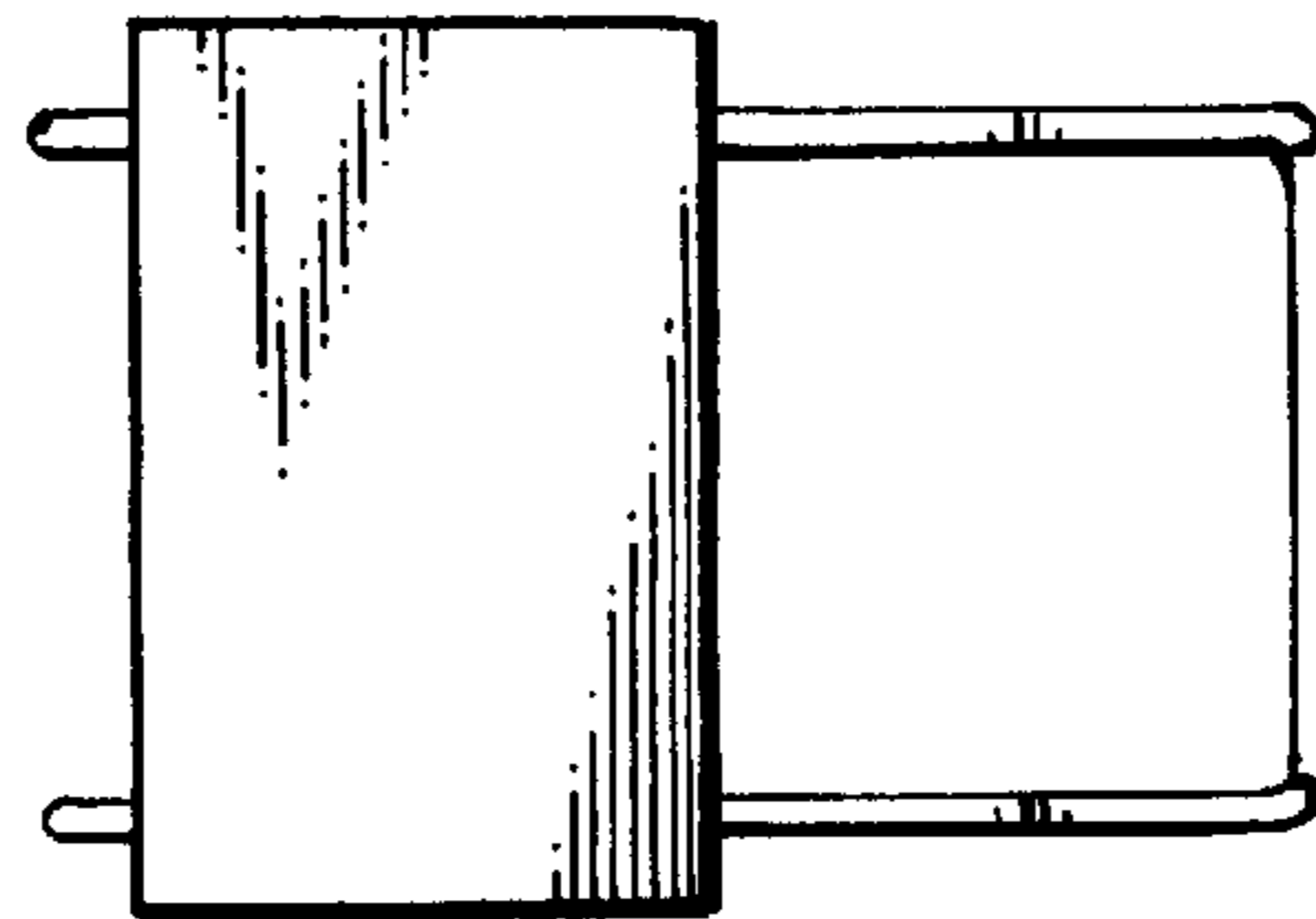
*Fig. 2*



*Fig. 1*



*Fig. 3*



*Fig. 5*

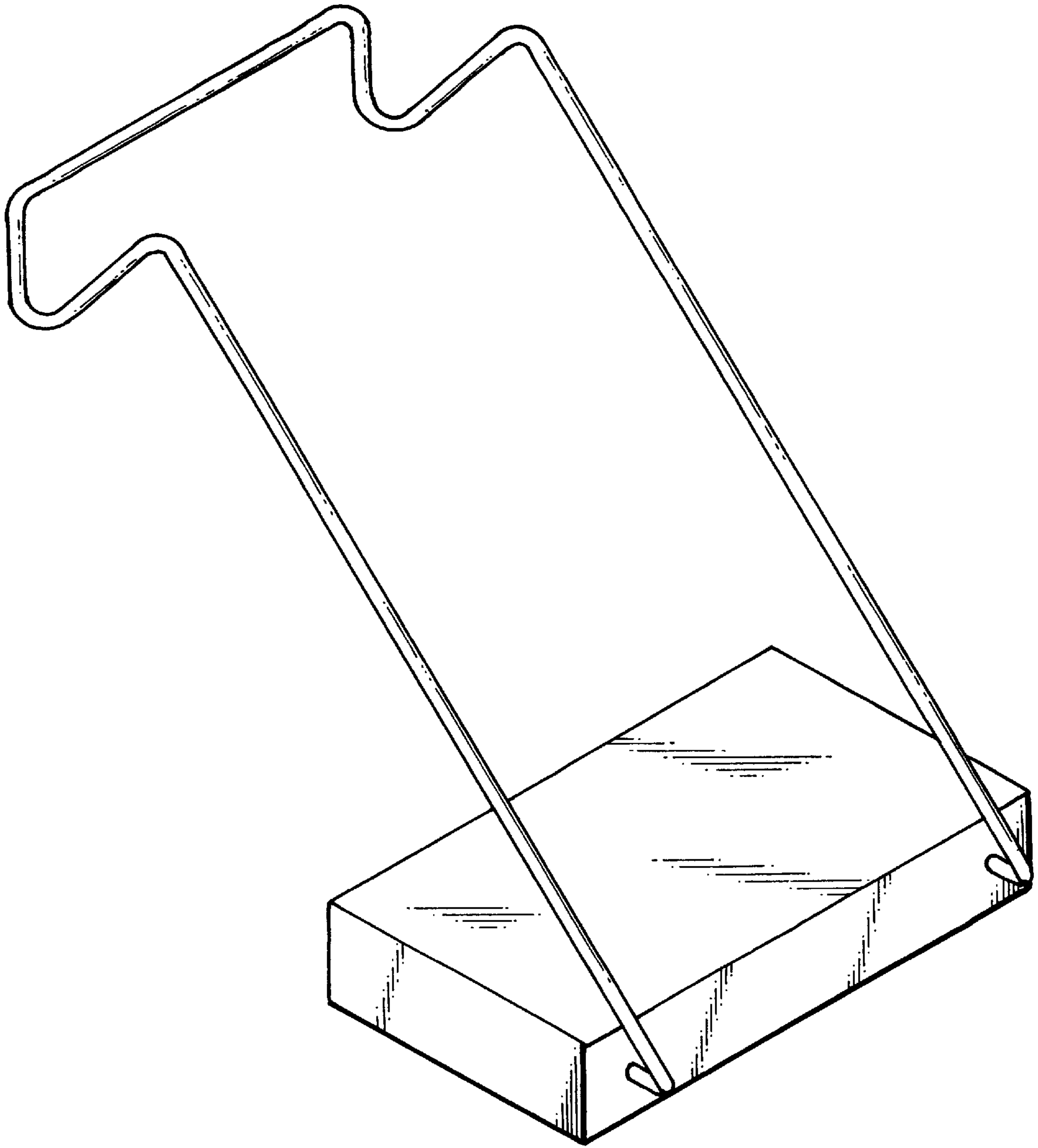


Fig. 6