



US00D416069S

United States Patent [19]

[11] **Patent Number: Des. 416,069**

Emerson

[45] **Date of Patent: ** Nov. 2, 1999**

[54] **FRONT SIGHT FOR A RIFLE**

2,610,405	9/1952	Dickinson	33/243
4,021,926	5/1977	Hrebar	33/245
5,484,667	1/1996	Schmitter	42/101

[76] Inventor: **Ashley C. Emerson**, 1401 Azle Hwy.,
Weatherford, Tex. 76086

Primary Examiner—Doris Clark
Assistant Examiner—Monica A. Weingart

[**] Term: **14 Years**

[21] Appl. No.: **29/094,960**

[57] **CLAIM**

[22] Filed: **Oct. 14, 1998**

The ornamental design for a “front sight for a rifle,” as shown and described.

[51] **LOC (6) Cl.** **22-01**

DESCRIPTION

[52] **U.S. Cl.** **D22/109; D22/108**

[58] **Field of Search** D22/100, 108,
D22/109, 199; 33/241, 242, 243, 245, 261;
42/100, 101

FIG. 1 is a perspective view of my design for a “front sight for a rifle”;

FIG. 2 is a rear elevational view thereof, and the front elevational view being a mirror image thereof;

FIG. 3 is a top plan view thereof;

FIG. 4 is a left elevational view thereof, and the right elevational view being a mirror image thereof; and,

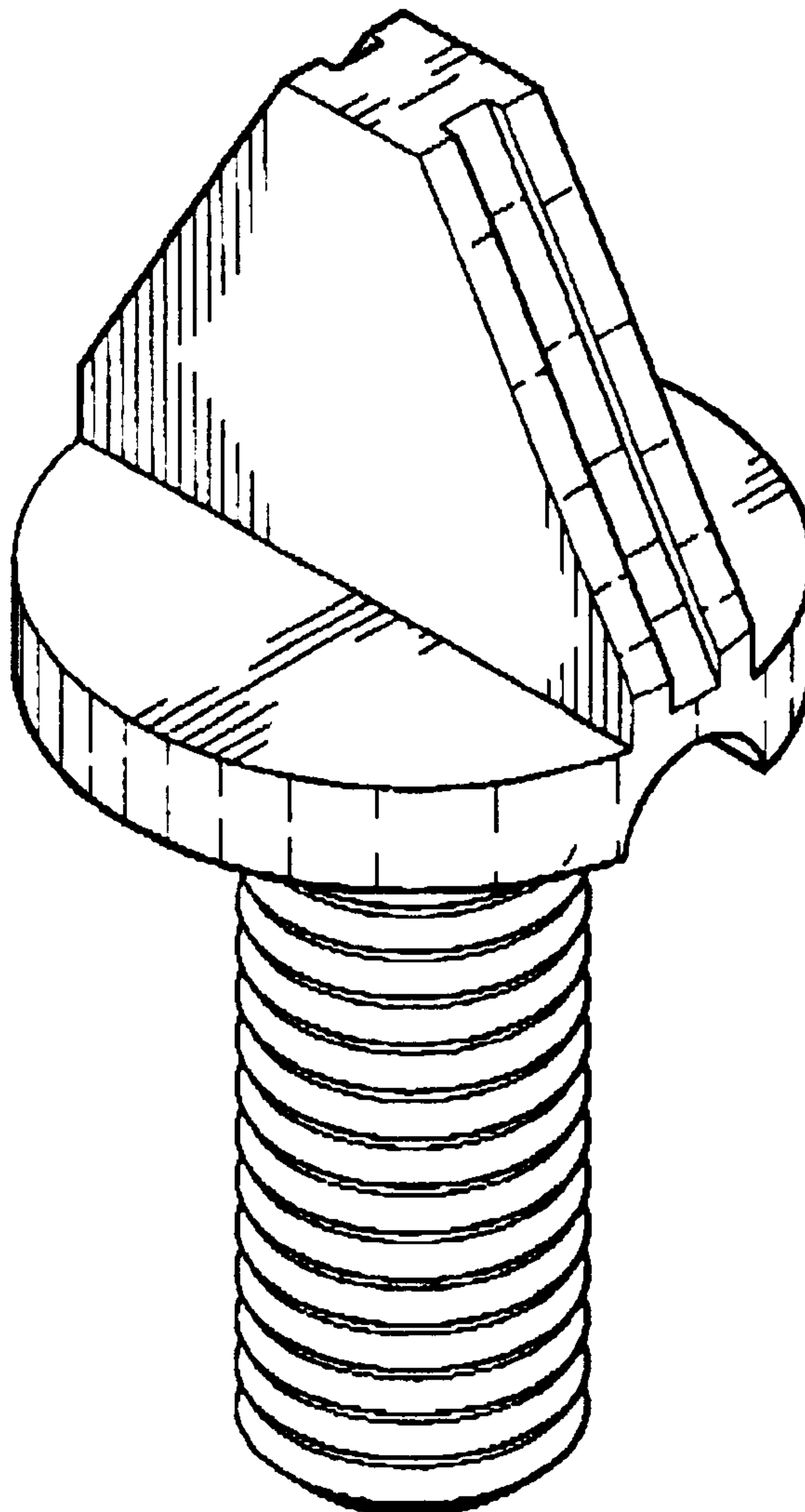
FIG. 5 is a bottom plan view thereof.

[56] **References Cited**

U.S. PATENT DOCUMENTS

301,628	7/1884	Rabbeth	33/243
D. 406,631	3/1999	Emerson	D22/108 X
882,182	3/1908	Thompson	33/243
1,851,189	3/1932	King	33/243

1 Claim, 1 Drawing Sheet



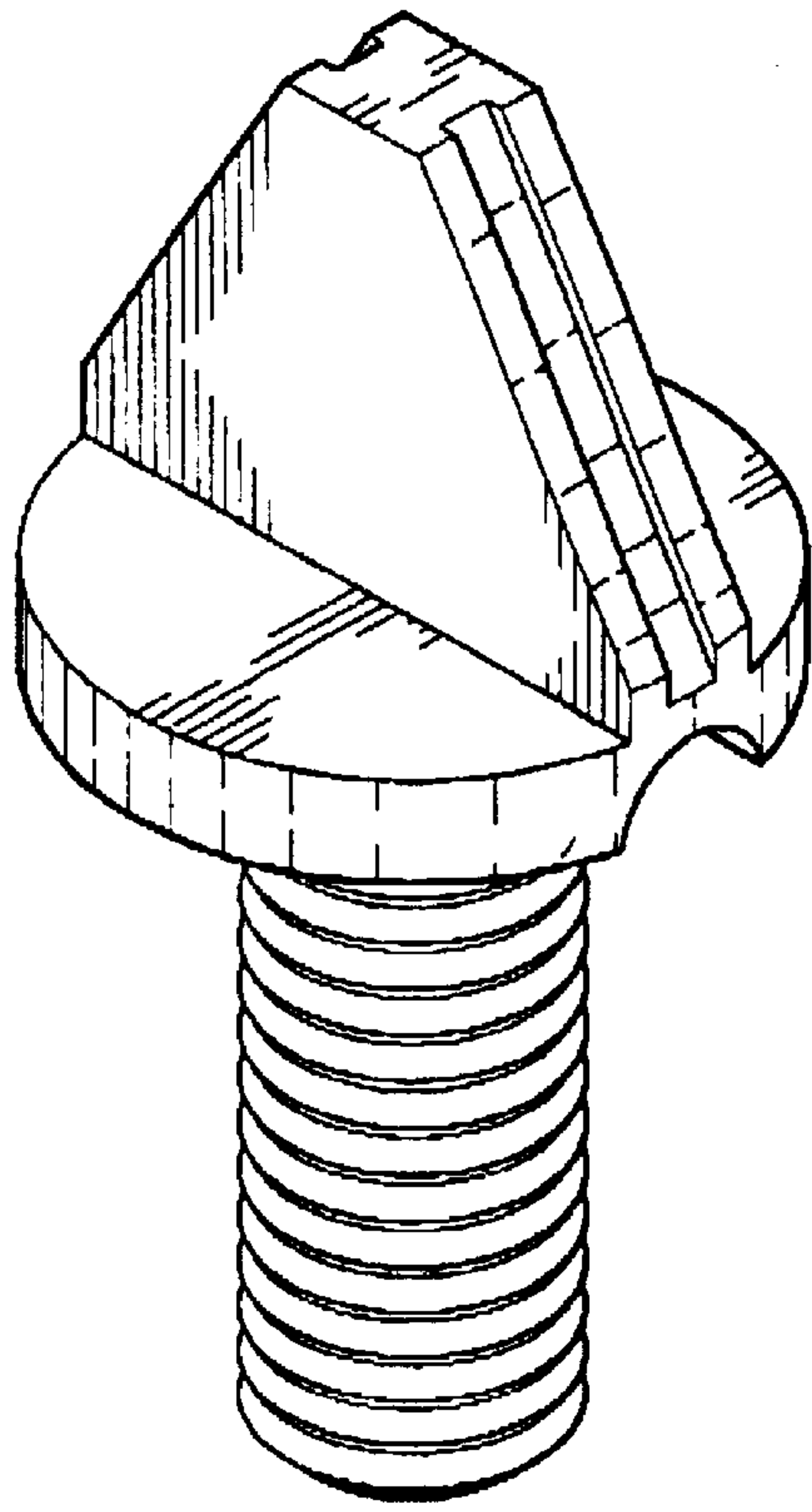


FIG. 1

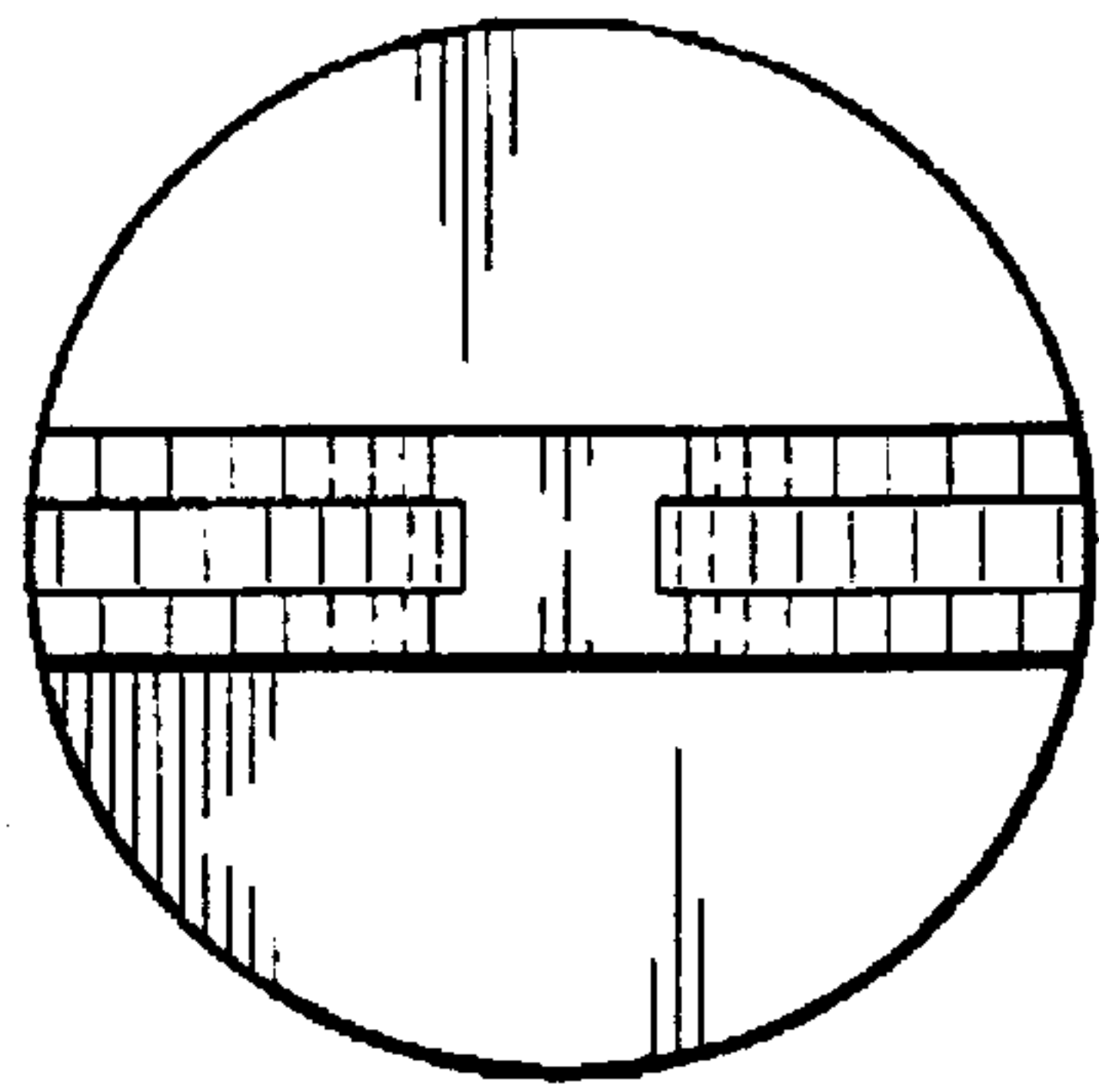


FIG. 3

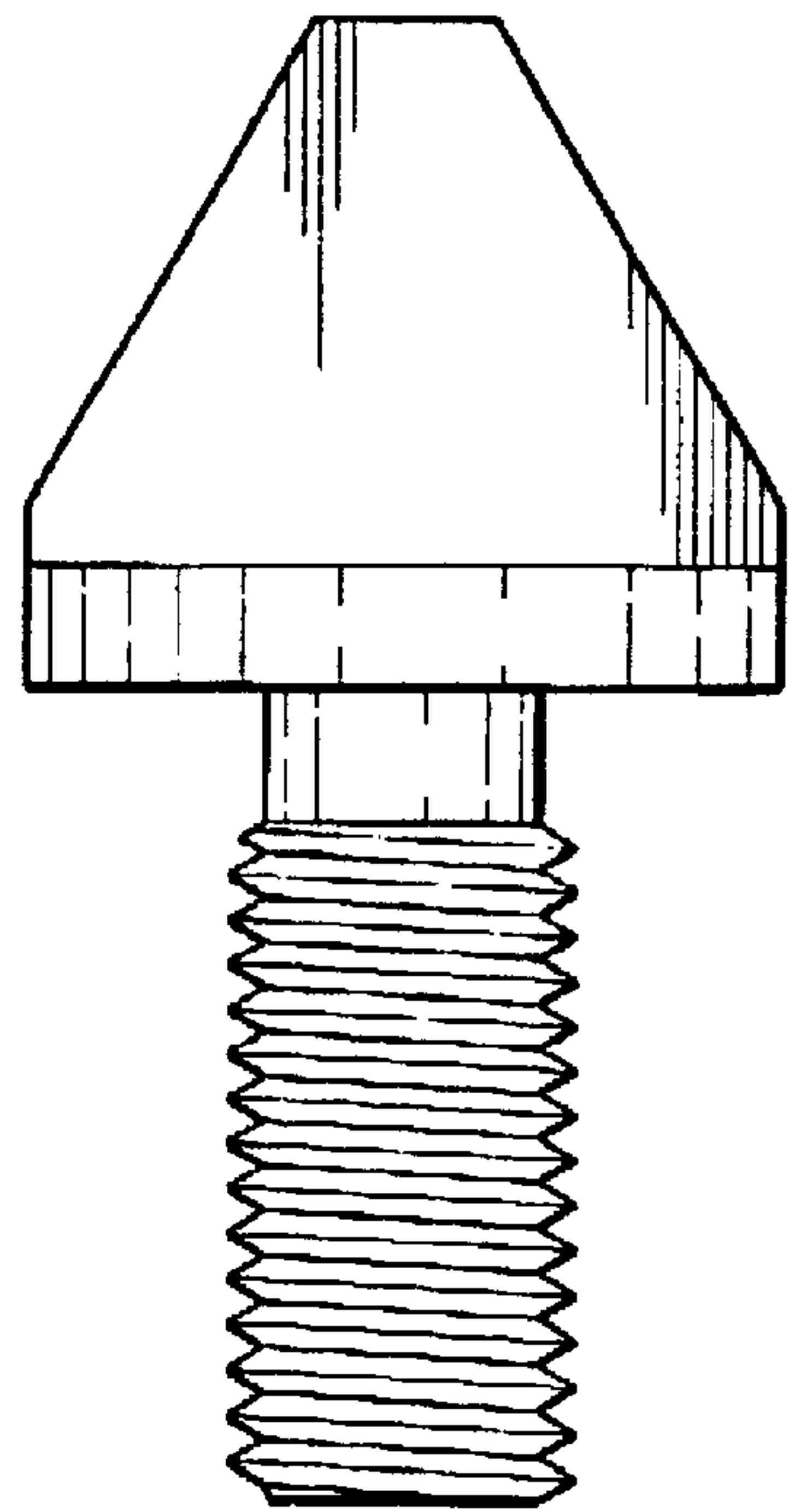


FIG. 4

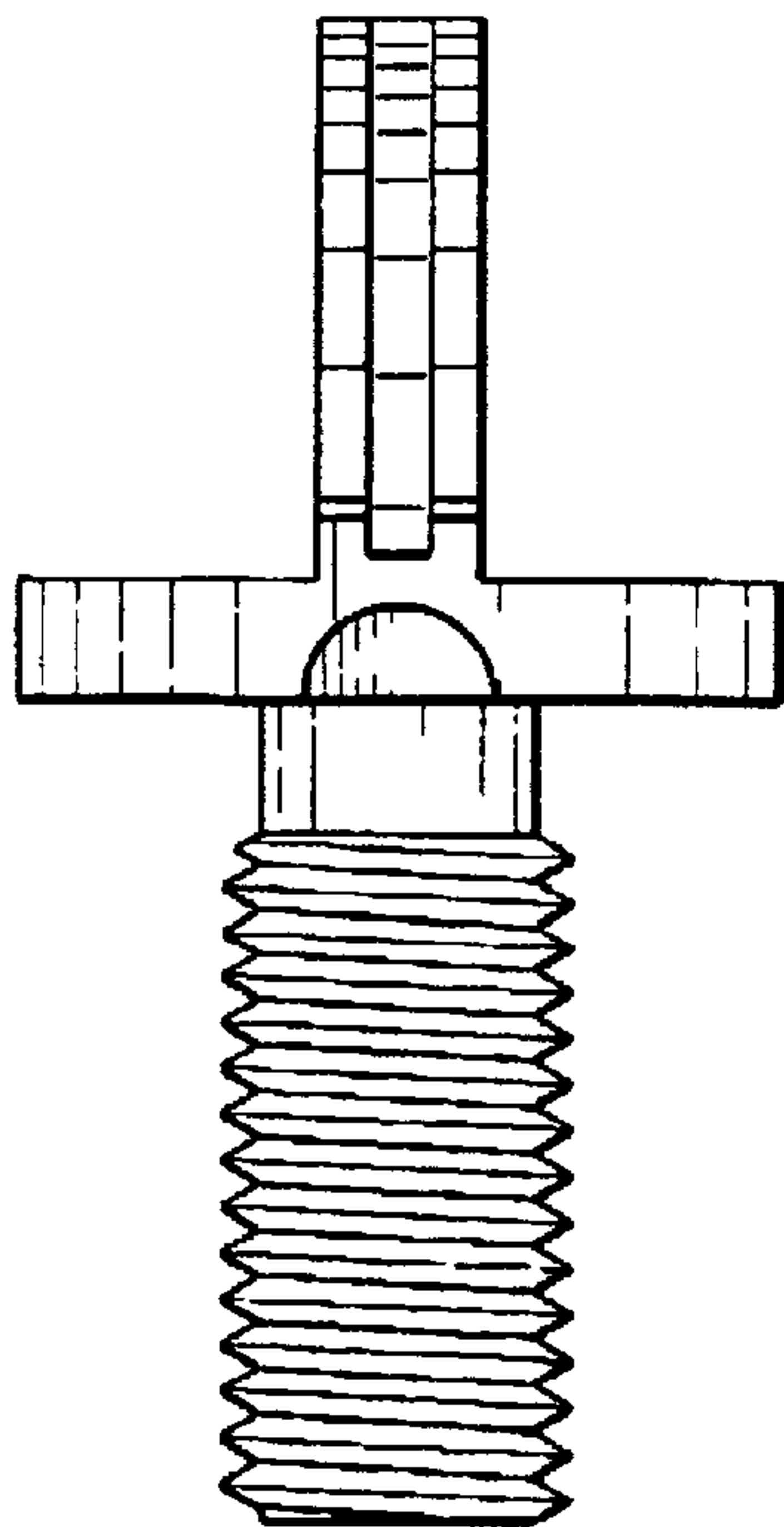


FIG. 2

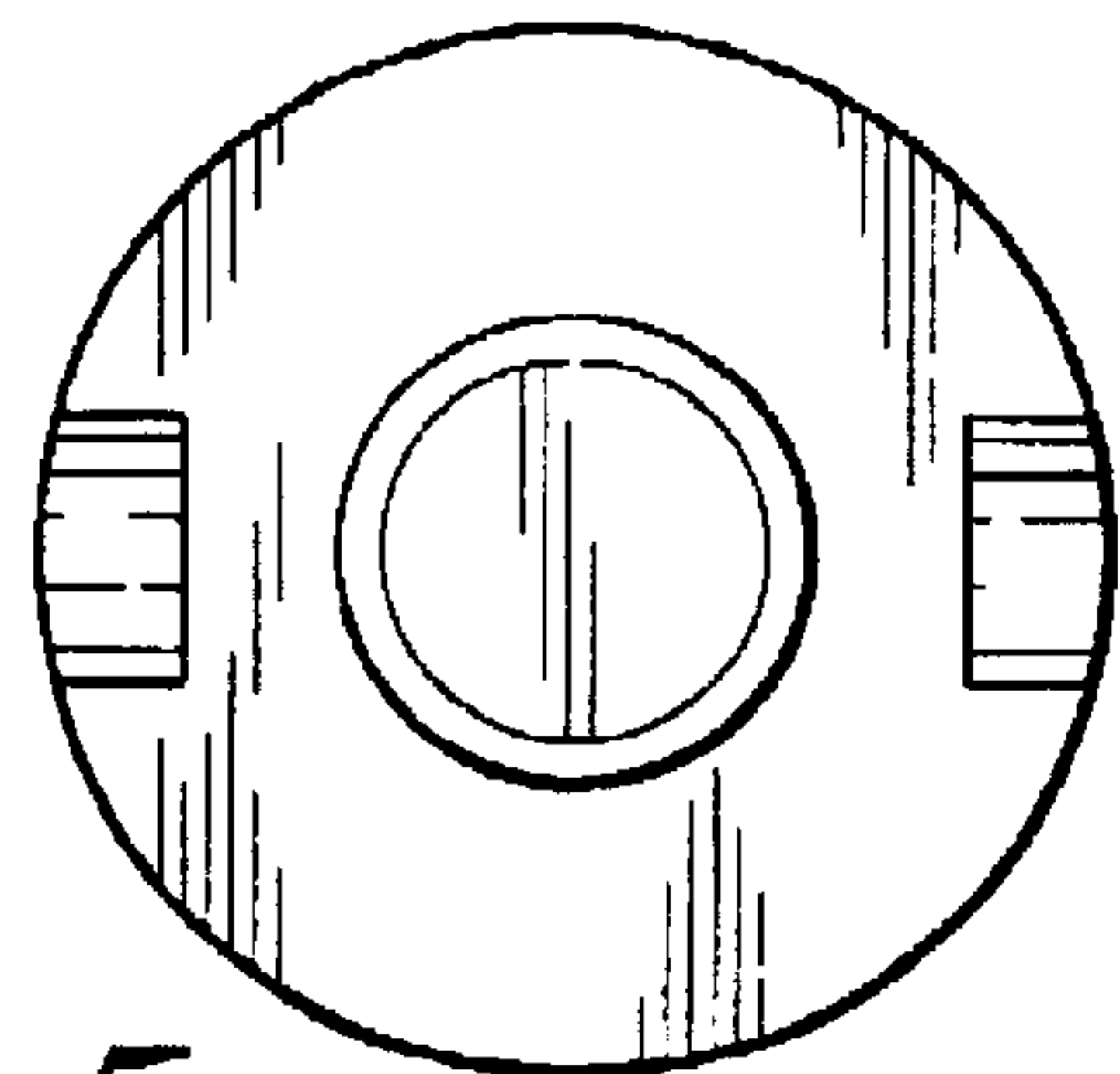


FIG. 5