



US00D416066S

United States Patent [19] Briggs

[11] **Patent Number: Des. 416,066**

[45] **Date of Patent: ** Nov. 2, 1999**

[54] **PLAY STRUCTURE ENTRY FACADE AND AWNING**

[76] Inventor: **Rick A. Briggs**, Sixty-Four Maple Grove, Springfield, Ill. 62707

[**] Term: **14 Years**

[21] Appl. No.: **29/096,630**

[22] Filed: **Nov. 17, 1998**

Related U.S. Application Data

[62] Division of application No. 29/080,201, Dec. 3, 1997.

[51] **LOC (6) Cl.** **21-03**

[52] **U.S. Cl.** **D21/814**

[58] **Field of Search** D21/811, 814,
D21/826, 827; 472/117, 128; 482/35, 30;
446/85, 86, 89, 166, 267

[56] References Cited

U.S. PATENT DOCUMENTS

D. 241,664	9/1976	Ewers .	
D. 330,579	10/1992	Briggs .	
3,231,269	1/1966	Dalrymple .	
4,057,244	11/1977	Gaspar .	
5,194,048	3/1993	Briggs .	
5,378,197	1/1995	Briggs .	
5,480,336	1/1996	Blanchard .	
5,554,074	9/1996	Von Parrish .	
5,649,867	7/1997	Briggs	472/128
5,741,189	4/1998	Briggs	472/128

OTHER PUBLICATIONS

Advertisement for *Mexico Forge*, 3800 Series, Drawing of Model 3813-311.

Advertisement for Sandman Playground Equipment™, containing a photograph of "The Christiana" playhouse.

Advertisement for Gym-Dandy®, date stamped Mar. 24, 1984.

Advertisement for Yards of Fun Inc., containing a photo and drawings of various swing sets, appearing in *Playthings*, Sep. 1987, p. 61.

Braunfelsbilt Products brochure, by New Braunfels General Store International, New Braunfels, Texas.

SCS Interactive Family Adventures Brochure, (Discovery Treehouse) by SCS Company of Tillamook, Oregon.

SCSCO Company Models 107-400, products brochure.

Creative Waterplay Components by SCS.

Splash Sep. 1989.

SCS Funhouse Brochure.

SCS Waterplay Arena Brochure.

SCS Pirate Fortress Brochure.

SCS Family Caribbean Adventure.

Primary Examiner—Mitchell I Siegel

Attorney, Agent, or Firm—Knobbe, Martens, Olson & Bear, LLP

[57] CLAIM

The ornamental design for a play structure entry facade and awning, as shown and described.

DESCRIPTION

FIG. 1 is a front elevation view of a play structure entry facade and awning in accordance with the present invention, the broken lines showing an associated play structure for illustrative purposes only and which does not form a part of the design;

FIG. 2 is an enlarged front elevation view of the play structure entry facade and awning of FIG. 1;

FIG. 3 is a rear elevation view of the play structure entry facade and awning of FIG. 1;

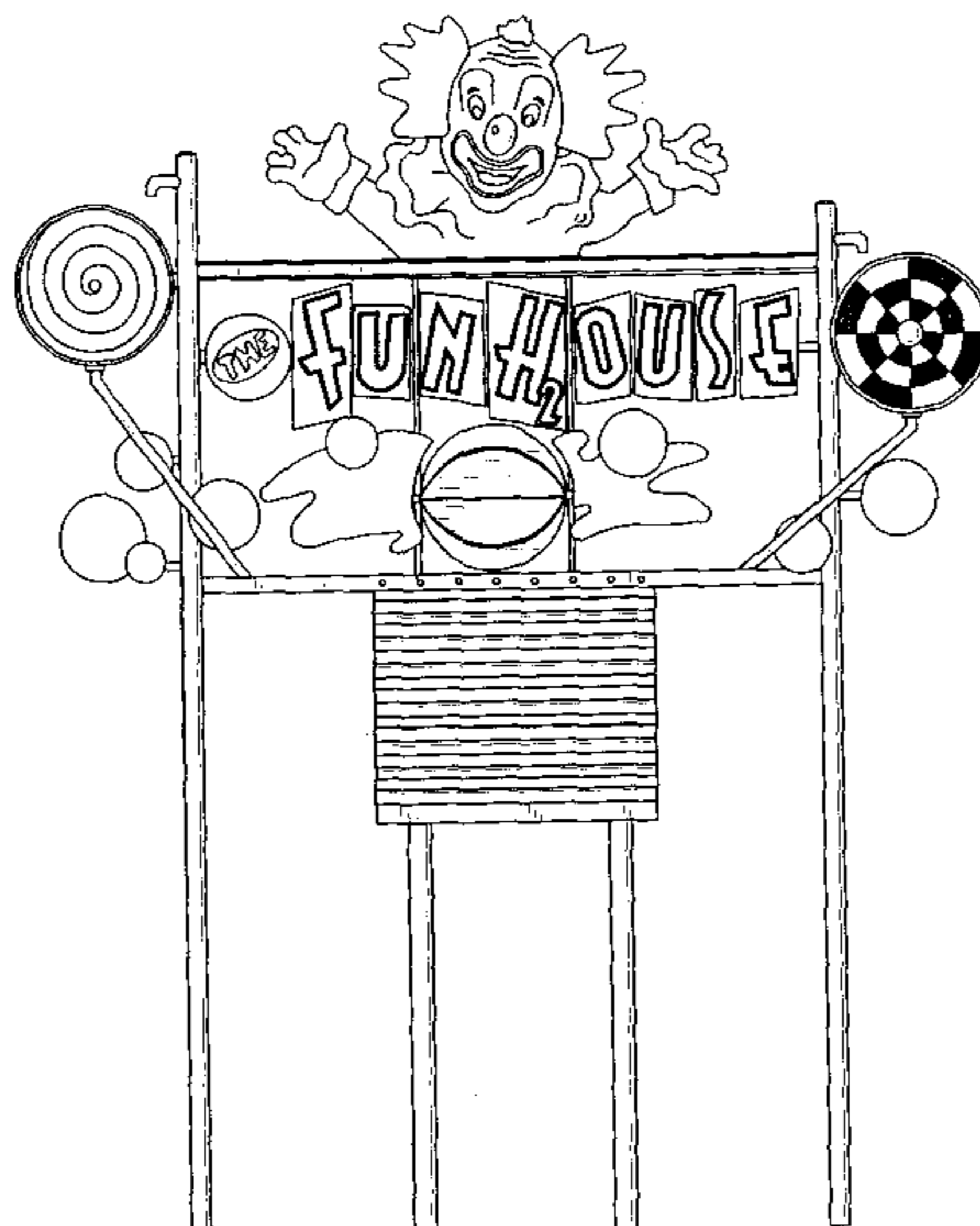
FIG. 4 is a right side elevational view of the play structure entry facade and awning of FIG. 1;

FIG. 5 is a left side elevation of the play structure entry facade and awning of FIG. 1;

FIG. 6 is a top plan view of the play structure entry facade and awning of FIG. 1; and,

FIG. 7 is a bottom plan view of the play structure entry facade and awning of FIG. 1.

1 Claim, 4 Drawing Sheets



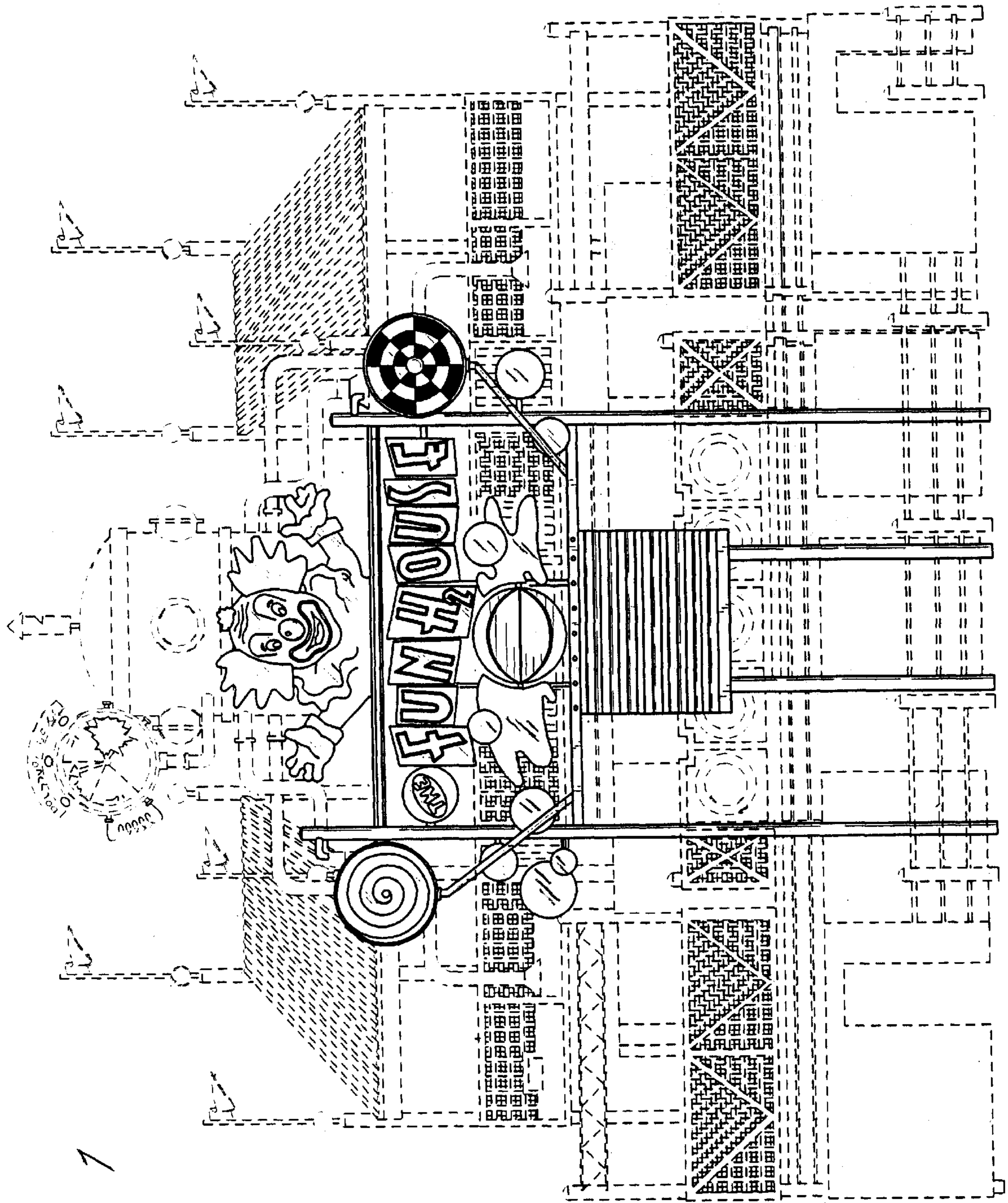


FIG. 1

FIG. 3

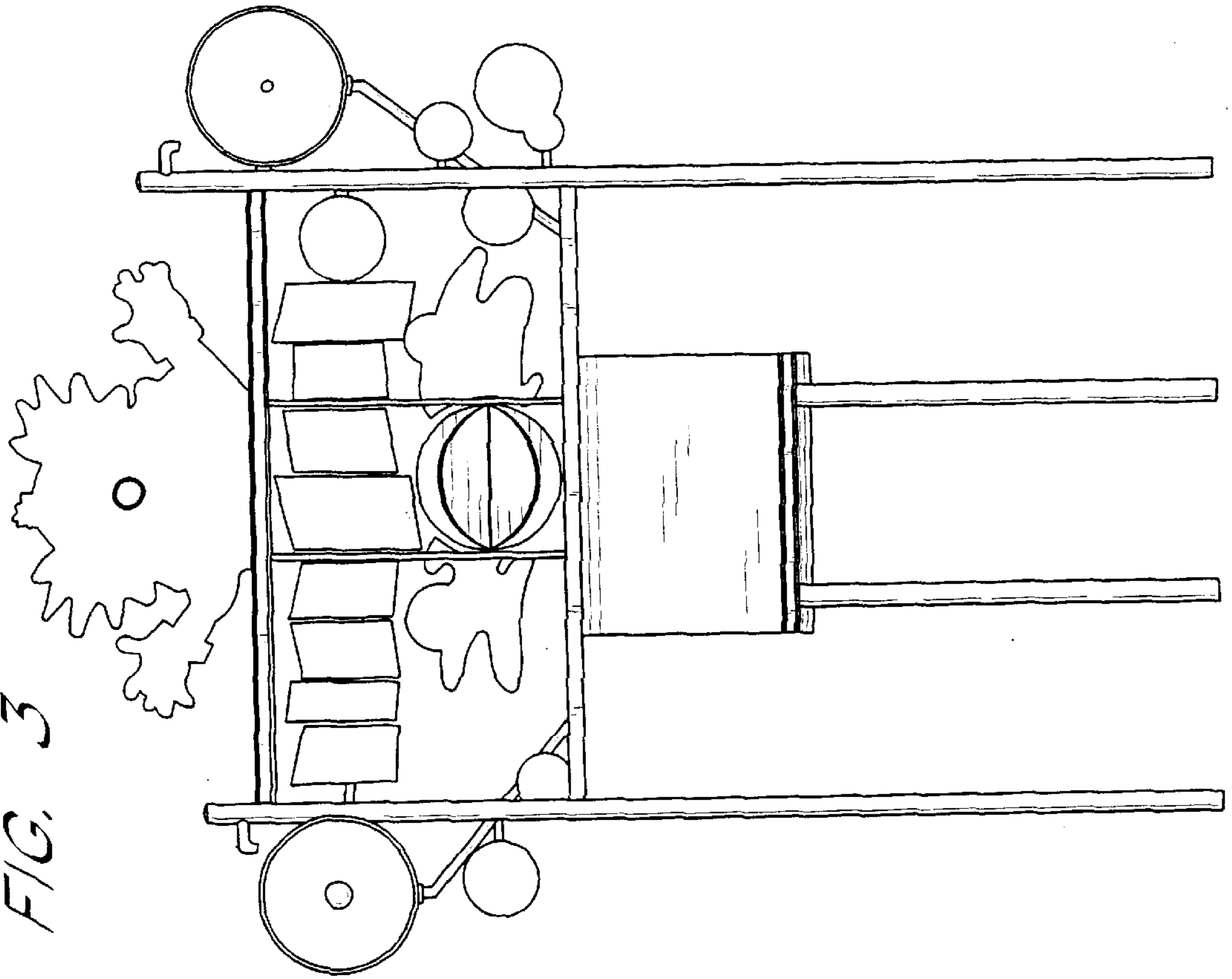
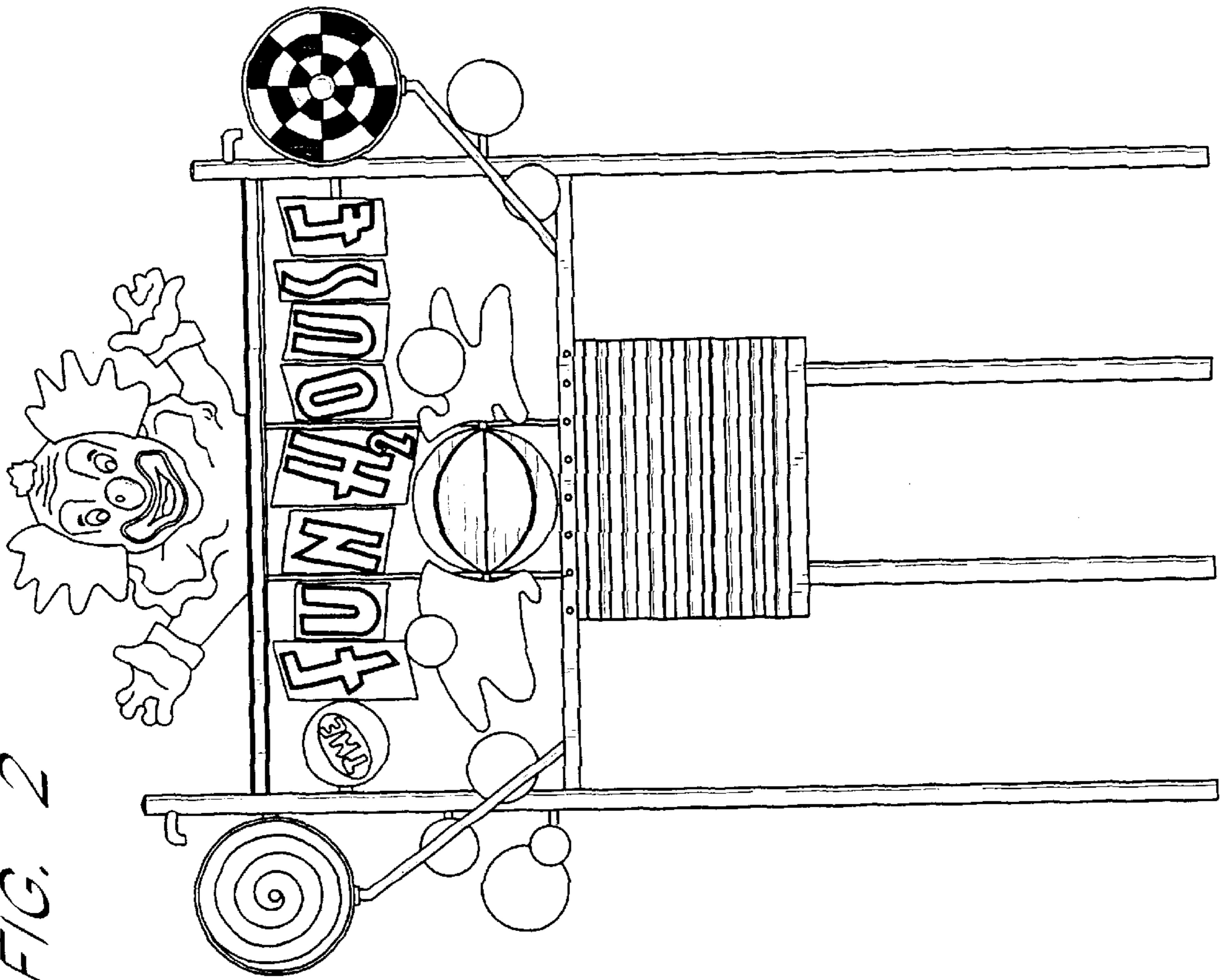


FIG. 2



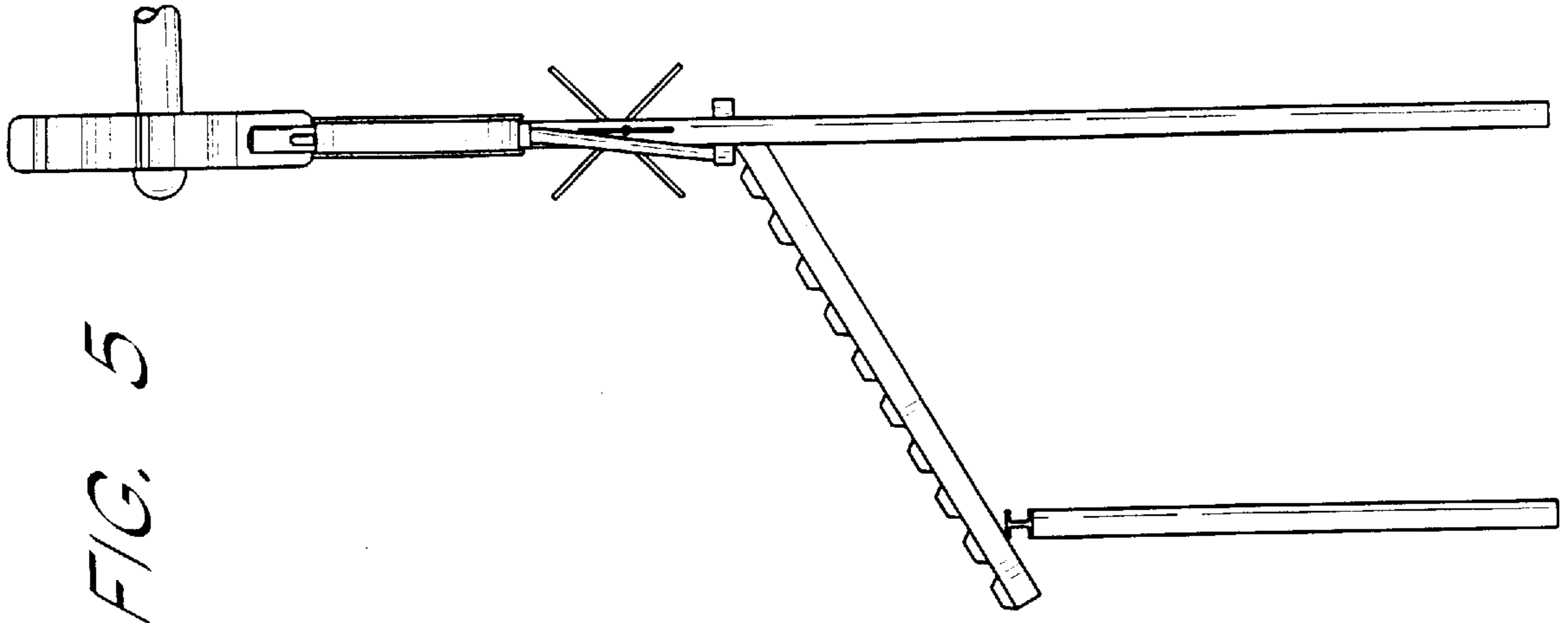


FIG. 5

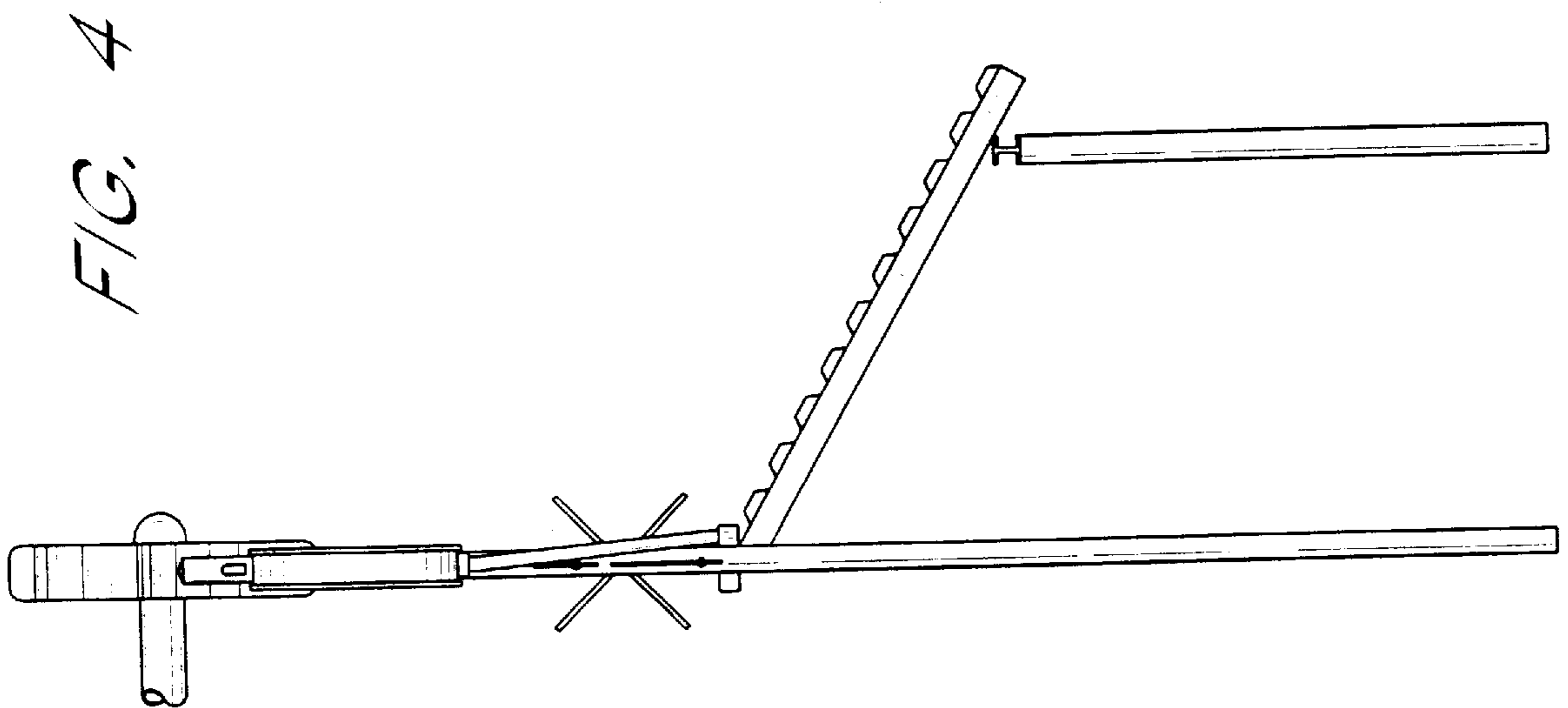


FIG. 4

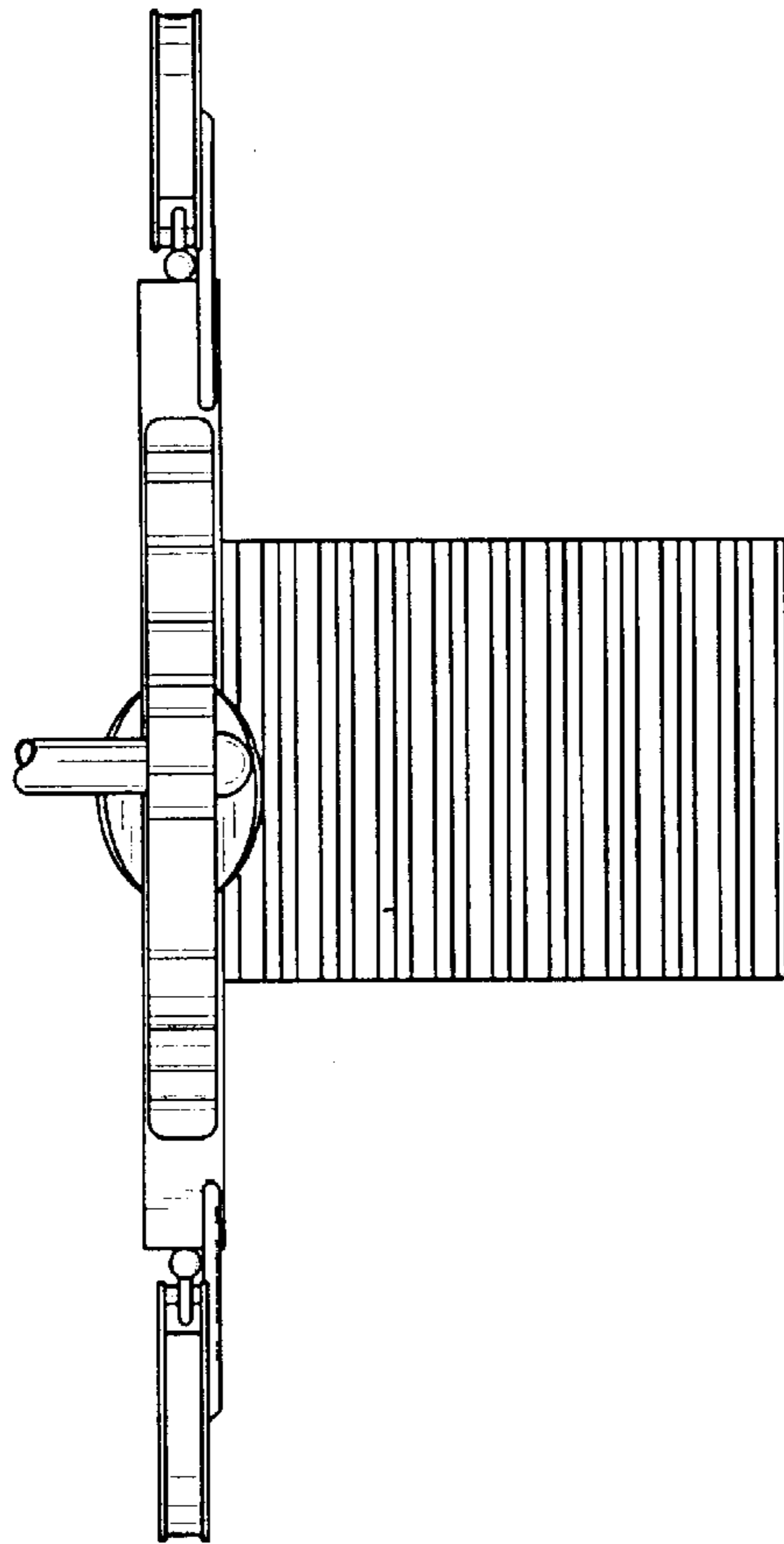


FIG. 6

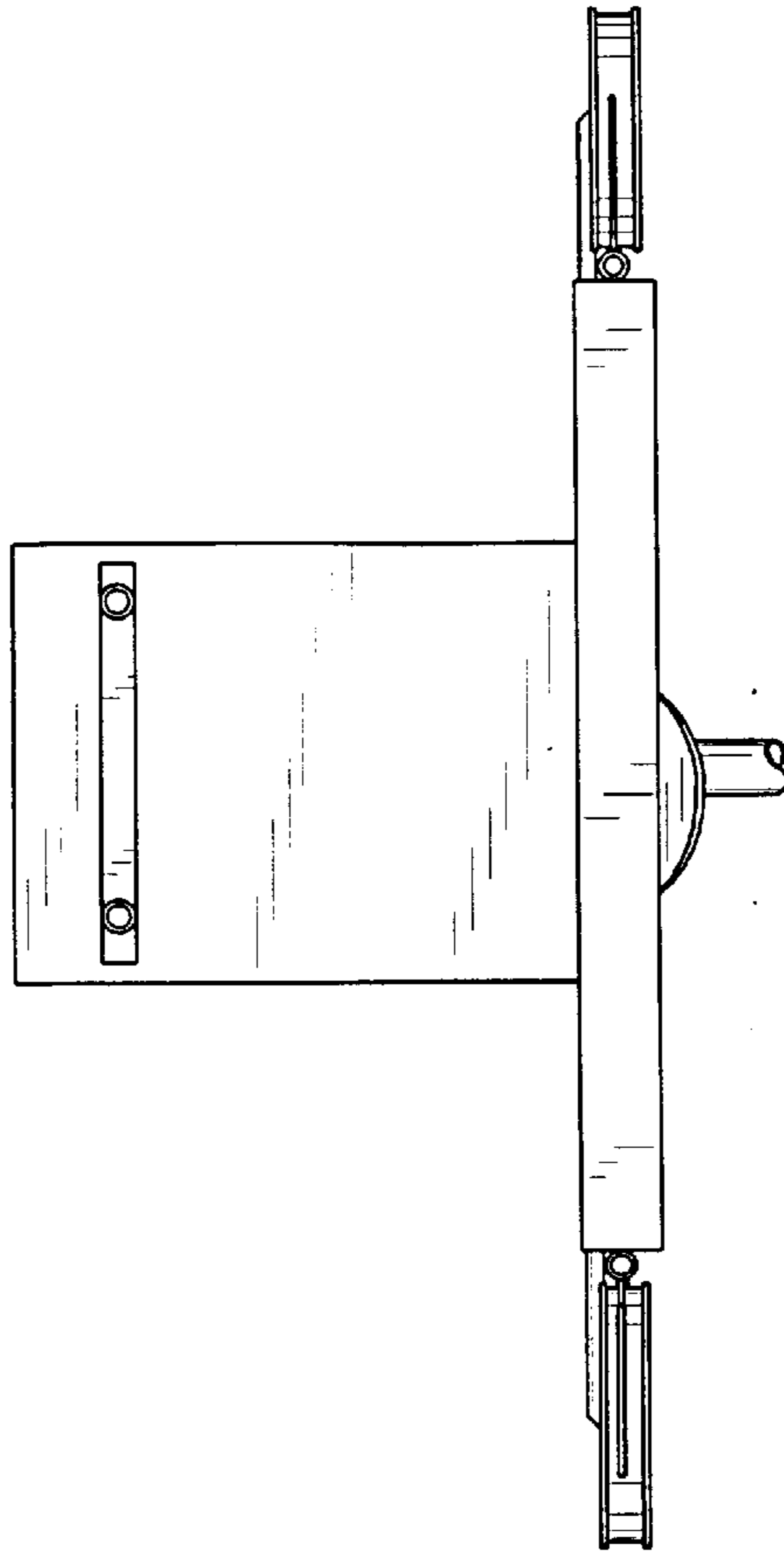


FIG. 7