



US00D416065S

United States Patent [19]
Dunn

[11] **Patent Number: Des. 416,065**

[45] **Date of Patent: ** Nov. 2, 1999**

[54] **CONNECTOR FOR TWO TUBES IN PLAYGROUND STRUCTURES**

4,256,300 3/1981 Boucher 473/118
5,893,819 4/1999 Dunn, Jr. et al. 482/35

[75] Inventor: **James O. Dunn**, Carrollton, Ga.

Primary Examiner—Mitchell Siegel
Attorney, Agent, or Firm—John S. Pratt; Kilpatrick Stockton LLP

[73] Assignee: **Superior International Industries, Inc.**, Carrollton, Ga.

[**] Term: **14 Years**

[57] **CLAIM**

[21] Appl. No.: **29/094,822**

The design for connector for two tubes in playground structures, as shown and described.

[22] Filed: **Oct. 9, 1998**

DESCRIPTION

[51] **LOC (6) Cl.** **21-03**

FIG. 1 is a perspective view of the design for the connector for two tubes in playground structures of this invention.

[52] **U.S. Cl.** **D21/814**

FIG. 2 is a side elevational view of the design for the connector, the opposite side of which is a mirror image.

[58] **Field of Search** D21/811, 814,
D21/818, 822-827; 472/118; 482/35, 36

FIG. 3 is a top plan view of the design for the connector.

FIG. 4 is a bottom plan view of the design for the connector.

FIG. 5 is a rear elevational view of the design for the connector; and,

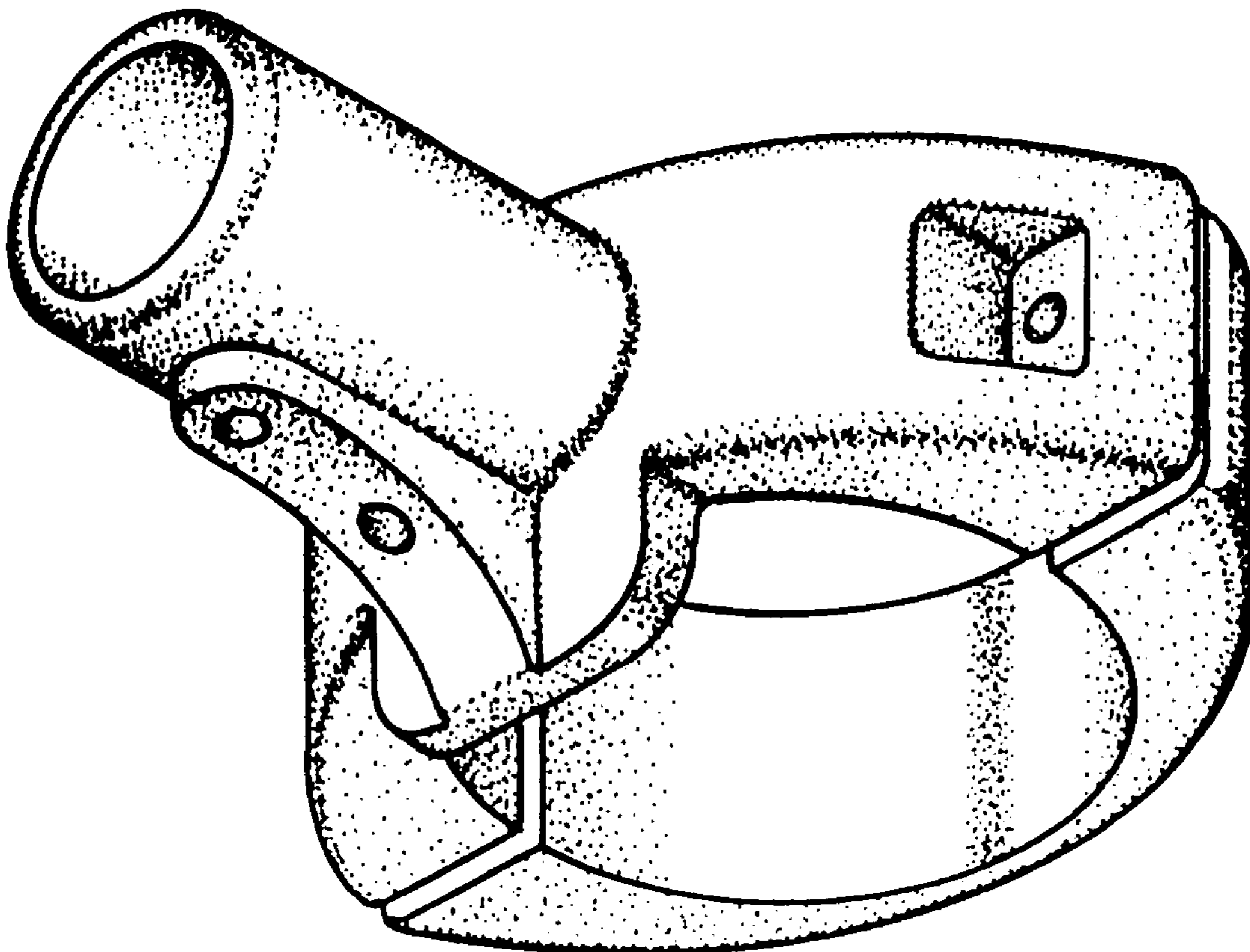
FIG. 6 is a front elevational view of the design for the connector.

[56] **References Cited**

U.S. PATENT DOCUMENTS

D. 336,502	6/1993	Smith et al.	D21/814
D. 347,568	6/1994	Siragusa, Jr. et al.	D8/382
D. 358,085	5/1995	Siragusa, Jr. et al.	D8/382
D. 384,387	9/1997	Dunn, Jr. et al.	D21/814

1 Claim, 1 Drawing Sheet



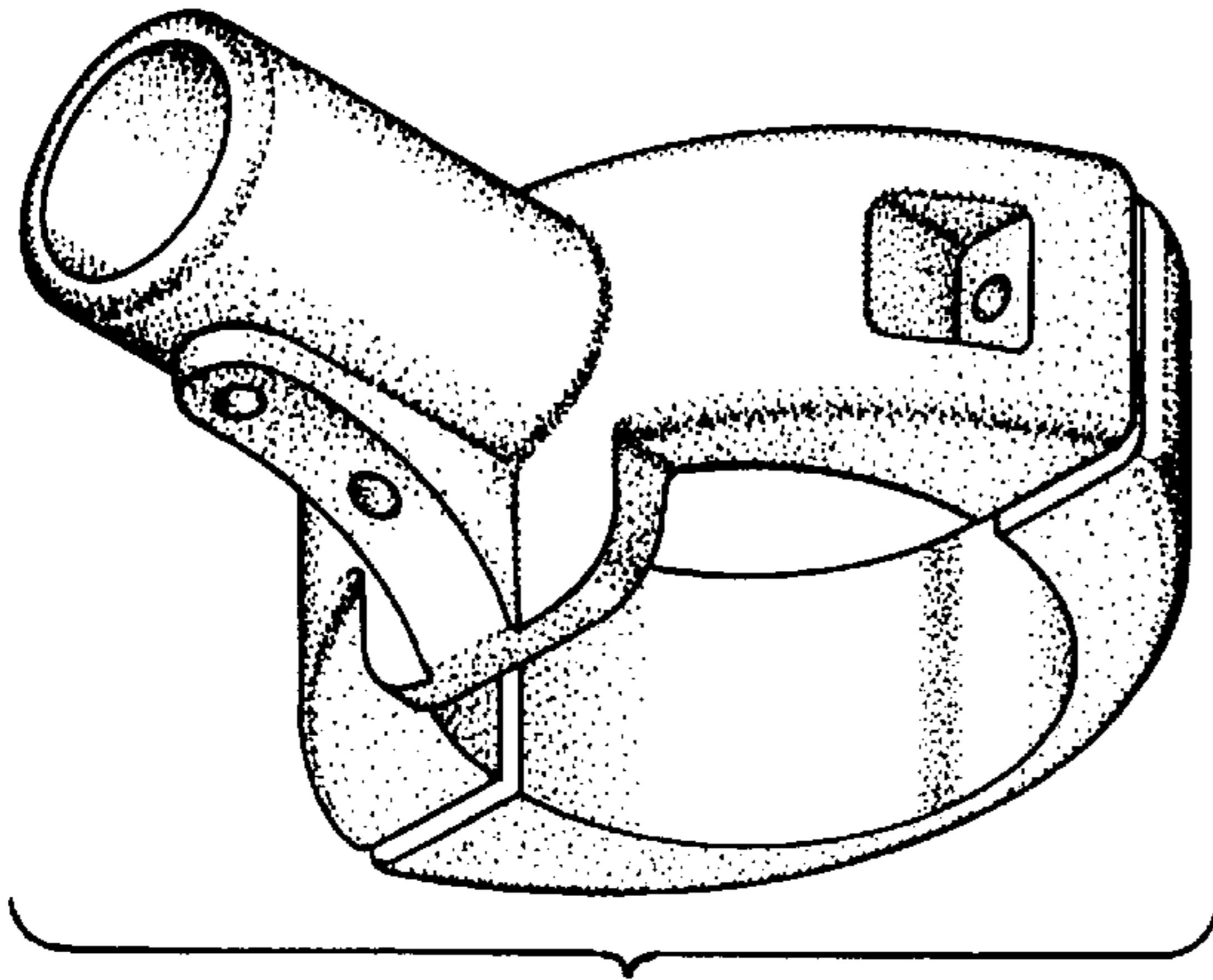


FIG 1

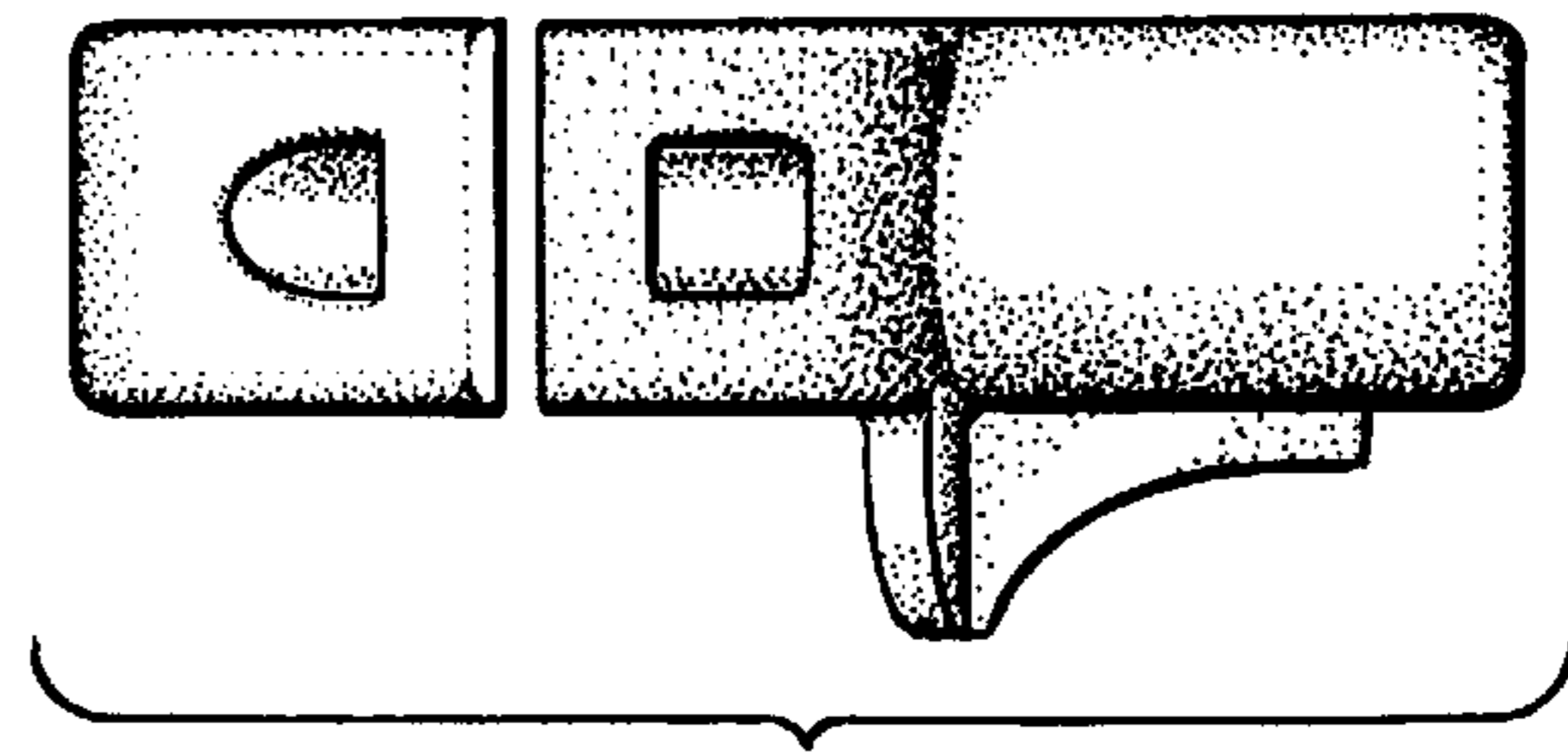


FIG 2

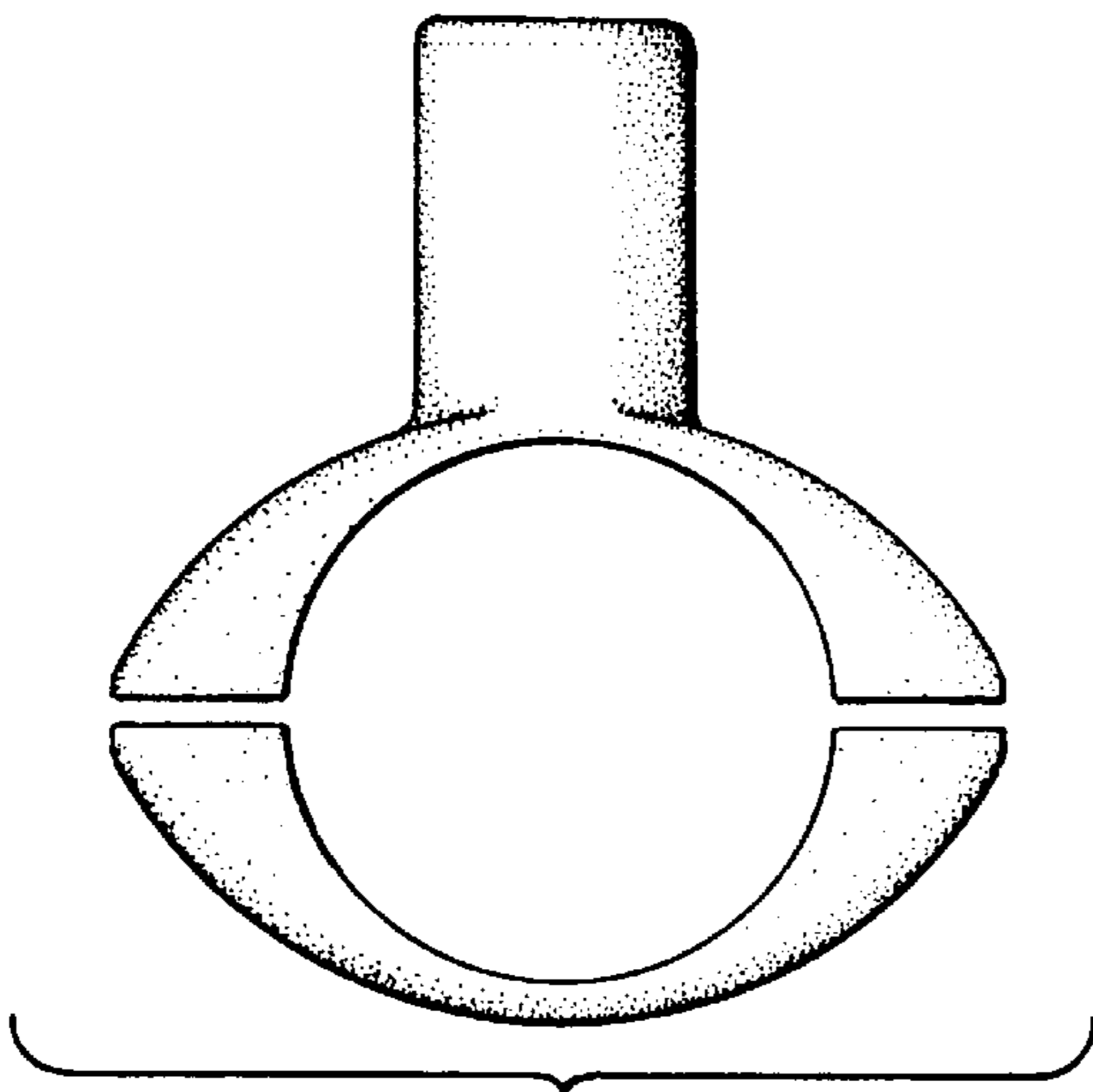


FIG 3

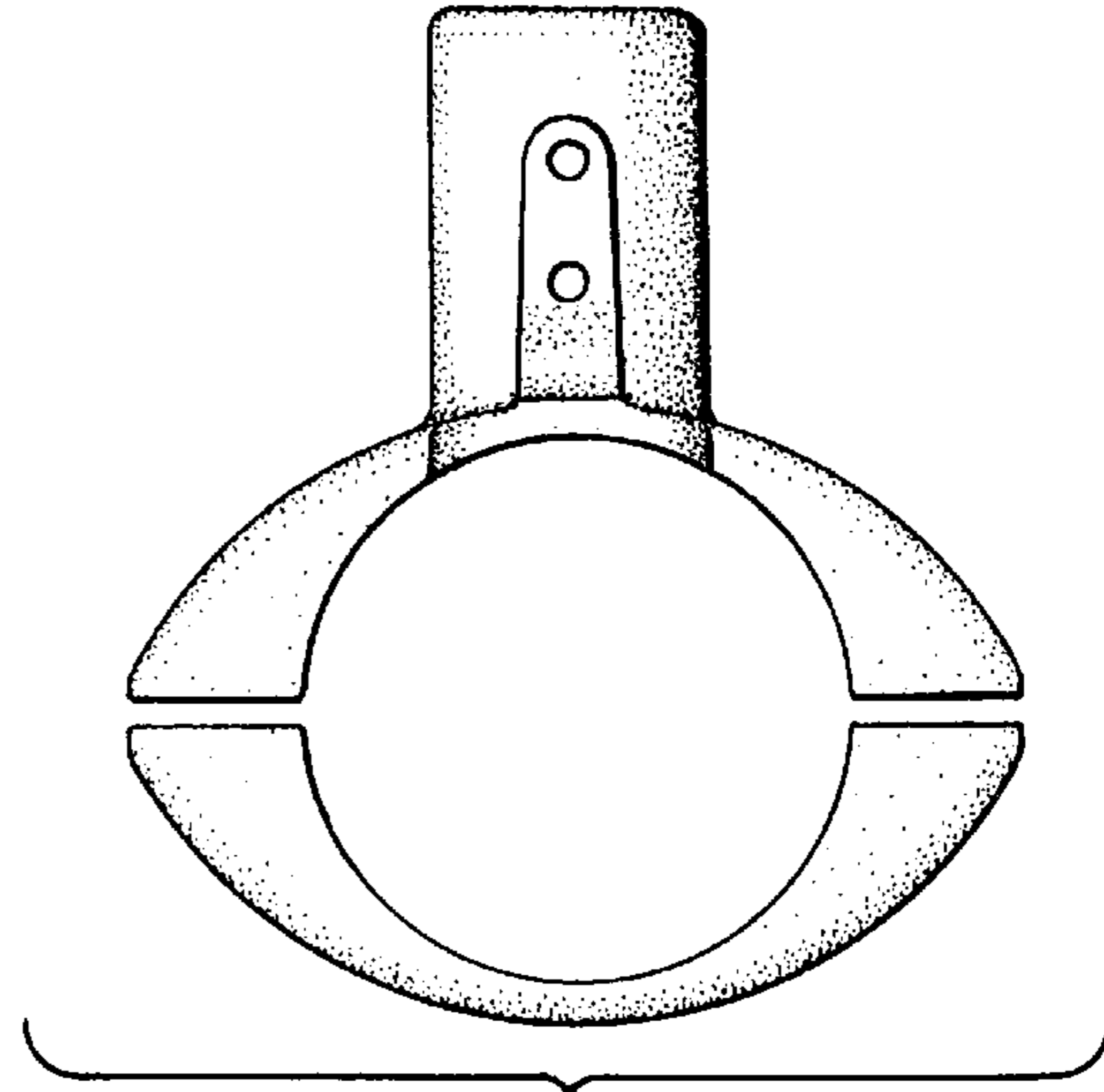


FIG 4

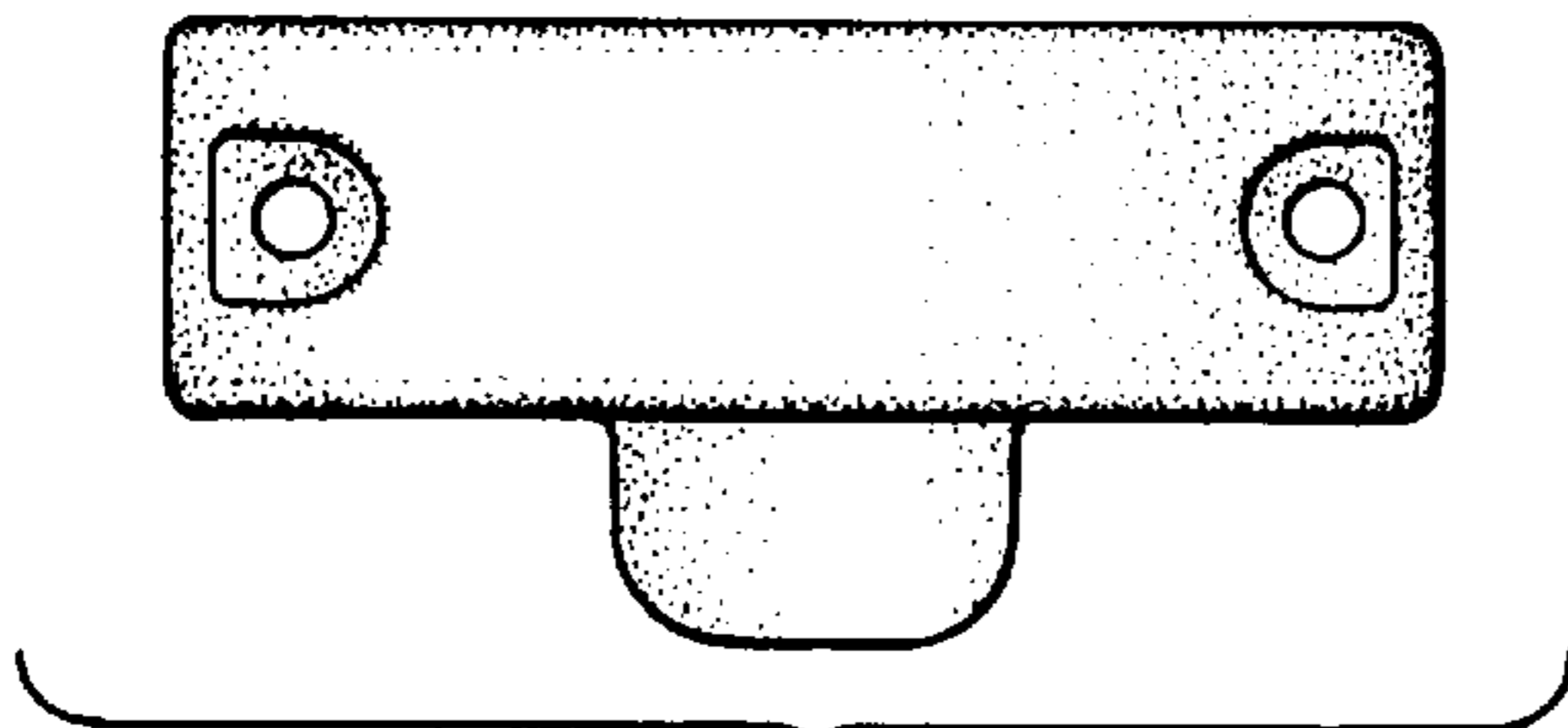


FIG 5

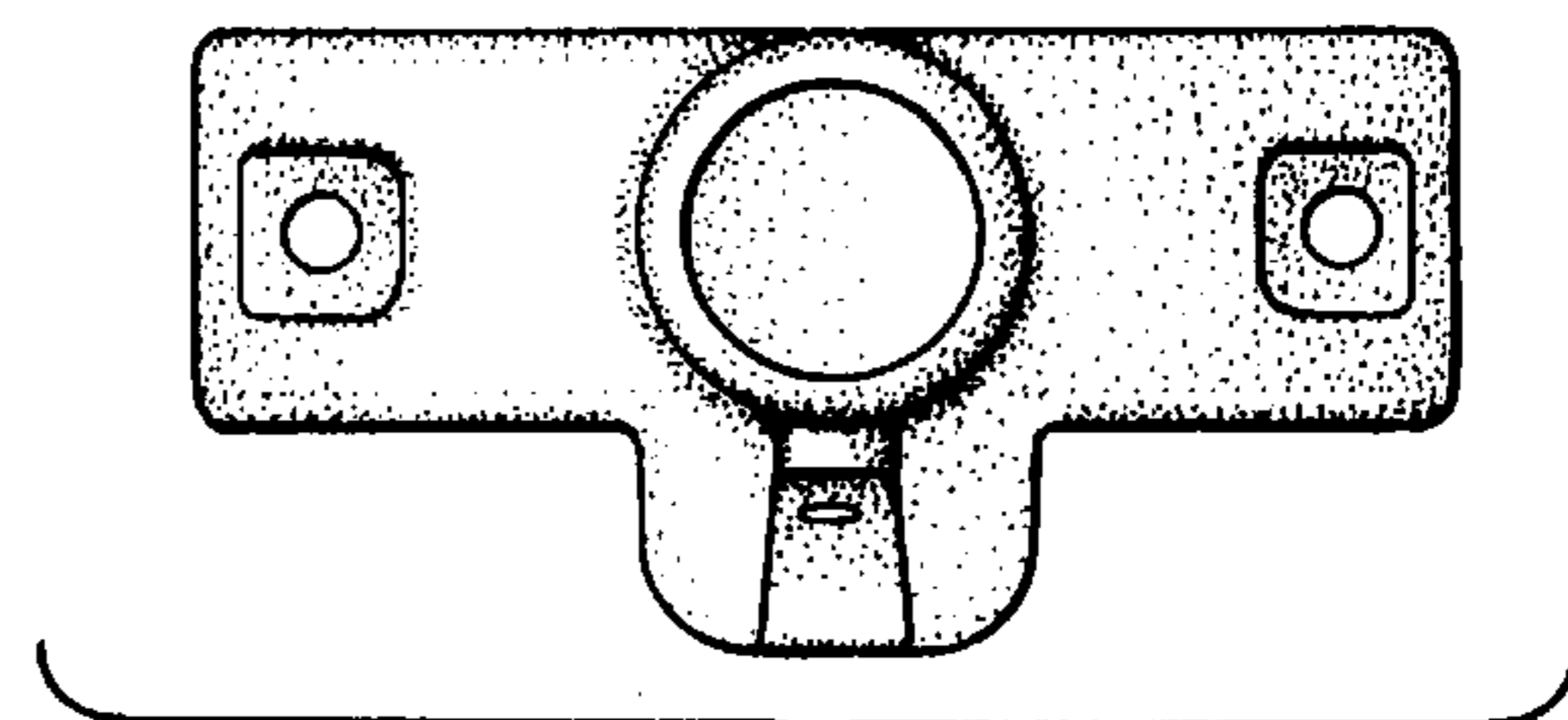


FIG 6