



US00D416064S

United States Patent [19]
Dunn

[11] **Patent Number: Des. 416,064**
[45] **Date of Patent: ** Nov. 2, 1999**

[54] **CONNECTOR FOR FIVE TUBES IN PLAYGROUND STRUCTURES**

[75] Inventor: **James O. Dunn**, Carrollton, Ga.

[73] Assignee: **Superior International Industries, Inc.**, Carrollton, Ga.

[**] Term: **14 Years**

[21] Appl. No.: **29/094,764**

[22] Filed: **Oct. 9, 1998**

[51] **LOC (6) Cl.** **21-03**

[52] **U.S. Cl.** **D21/814**

[58] **Field of Search** D21/811, 814,
D21/818, 822-827; 472/118; 482/35, 36

[56] **References Cited**

U.S. PATENT DOCUMENTS

D. 336,502	6/1993	Smith et al.	D21/814
D. 347,568	6/1994	Siragusa, Jr. et al.	D8/382
D. 358,085	5/1995	Siragusa, Jr. et al.	D8/382
D. 376,405	12/1996	Strawcutter et al.	D21/814
D. 381,057	7/1997	Strawcutter et al.	D21/814
D. 384,387	9/1997	Dunn, Jr. et al.	D21/814

1,488,244	3/1924	Hinton	482/35
1,488,245	3/1924	Hinton	482/35
4,256,300	3/1981	Boucher	473/118
5,893,819	4/1999	Dunn, Jr. et al.	482/35

Primary Examiner—Mitchell Siegel
Attorney, Agent, or Firm—John S. Pratt, Esq.; Kilpatrick Stockton LLP

[57] **CLAIM**

The design for connector for five tubes in playground structures, as shown and described.

DESCRIPTION

FIG. 1 is a bird's eye isometric view of the design for the connector for five tubes in playground structures of this invention.

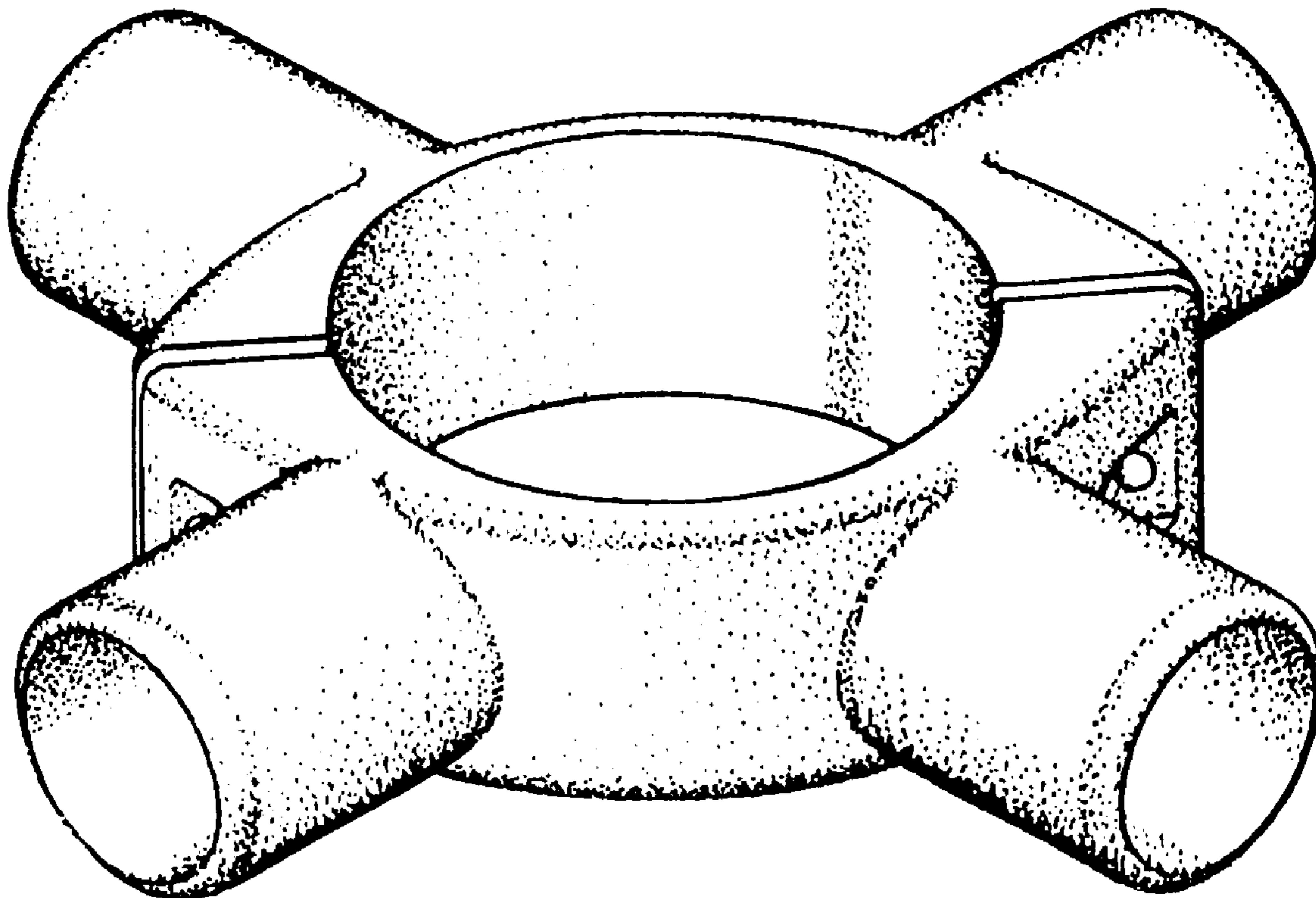
FIG. 2 is a top plan view of the design for the connector.

FIG. 3 is a bottom plan view of the design for the connector.

FIG. 4 is a side elevational view of the connector as seen from the south side of FIG. 2 of the connector, the opposite side of which is exactly the same; and,

FIG. 5 is a side elevational view of the connector as seen from the west side of FIG. 2, the opposite of which is exactly the same.

1 Claim, 1 Drawing Sheet



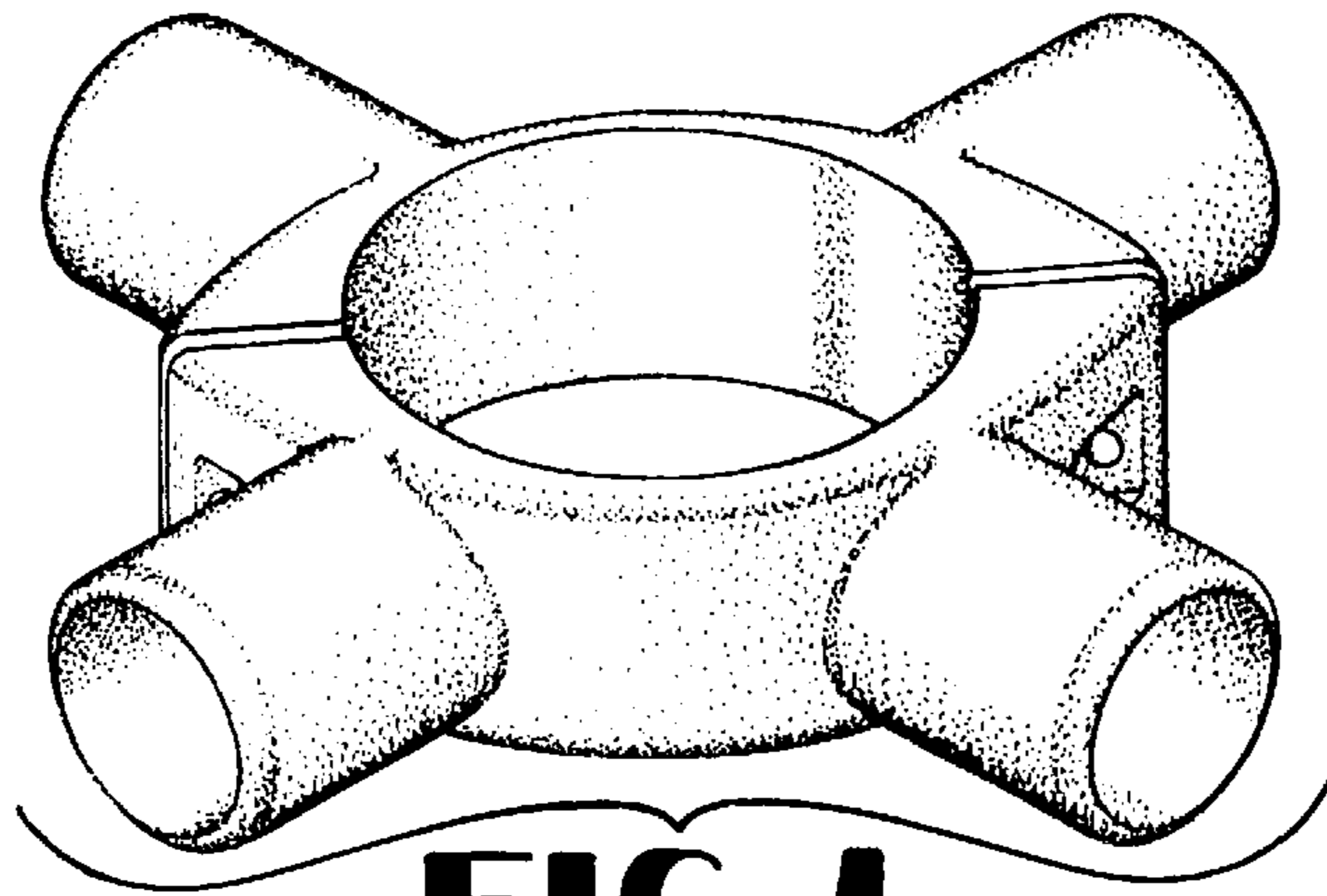


FIG 1

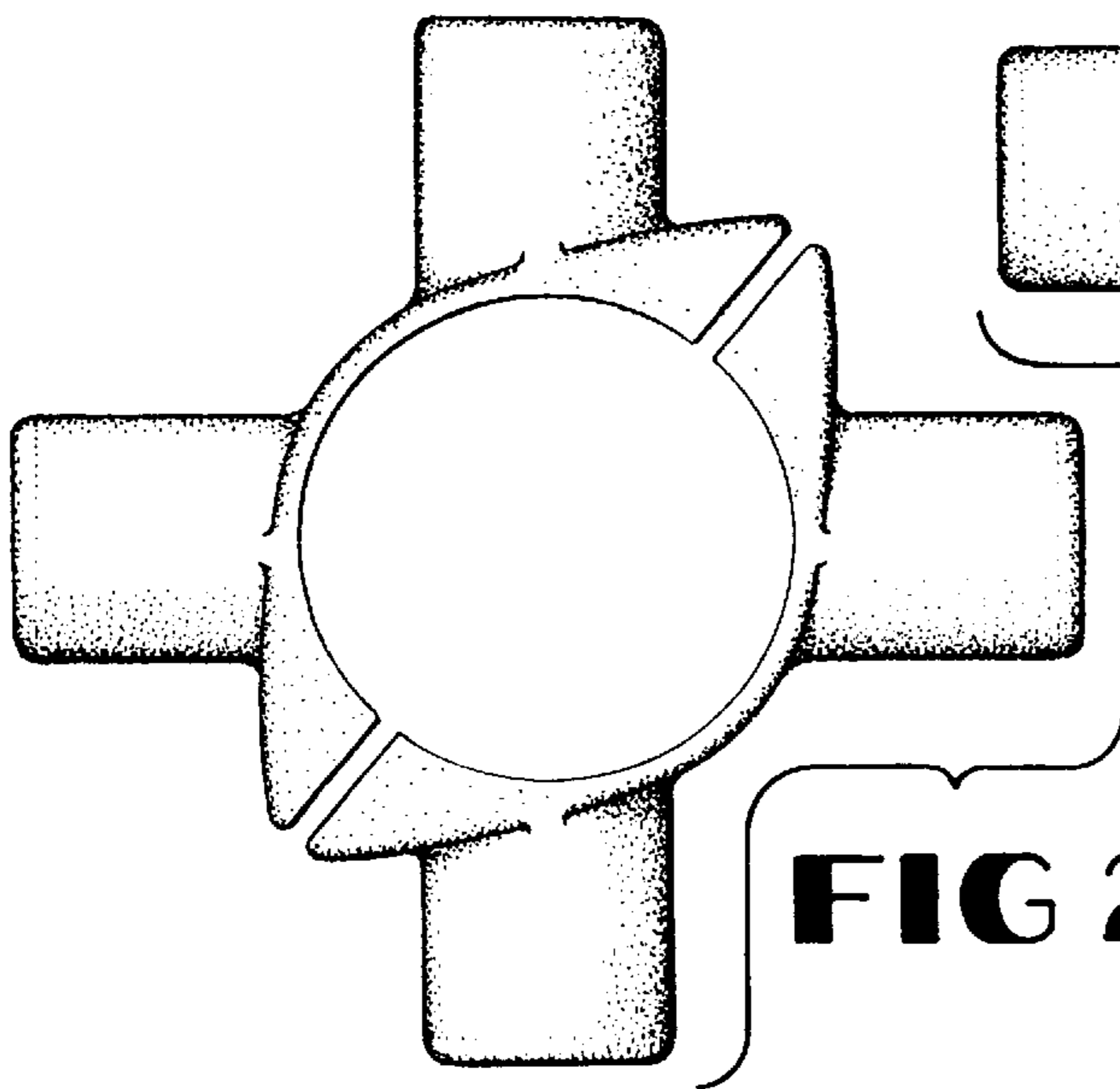


FIG 2

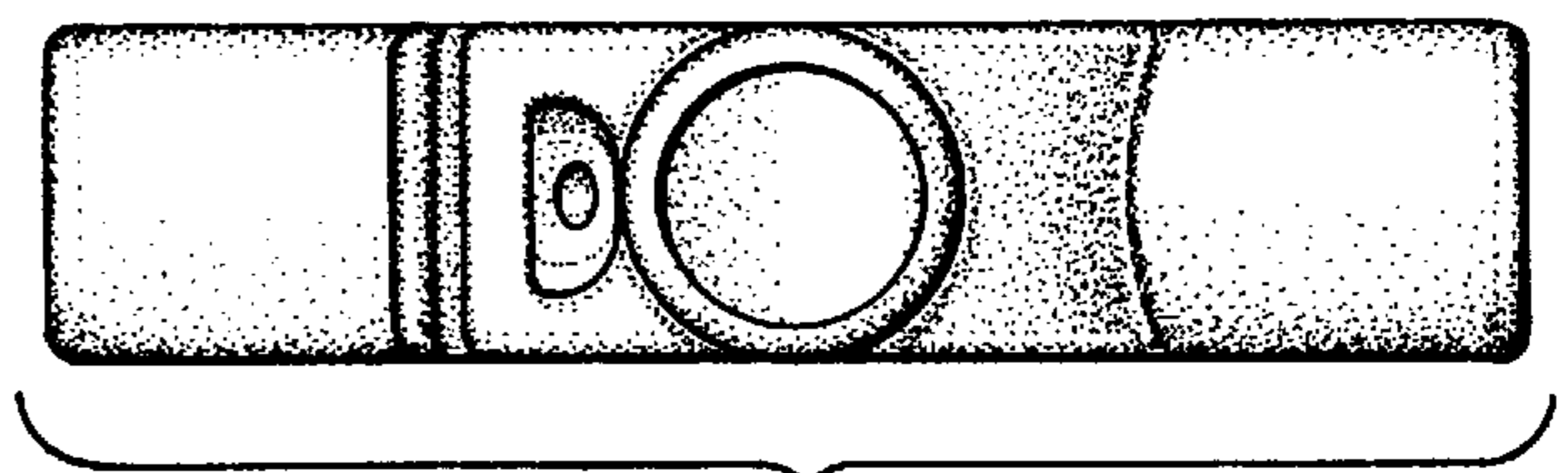


FIG 4

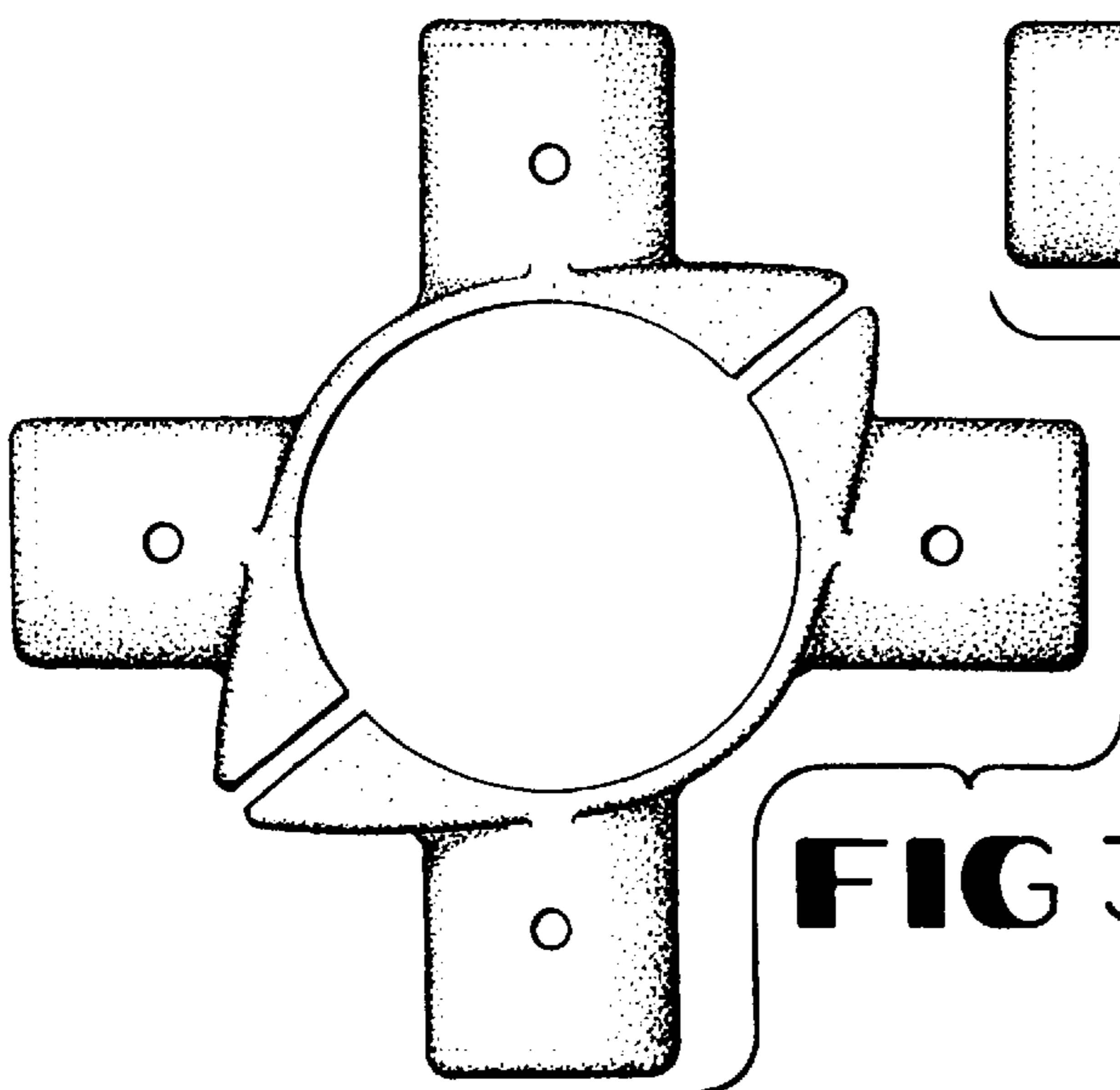


FIG 3

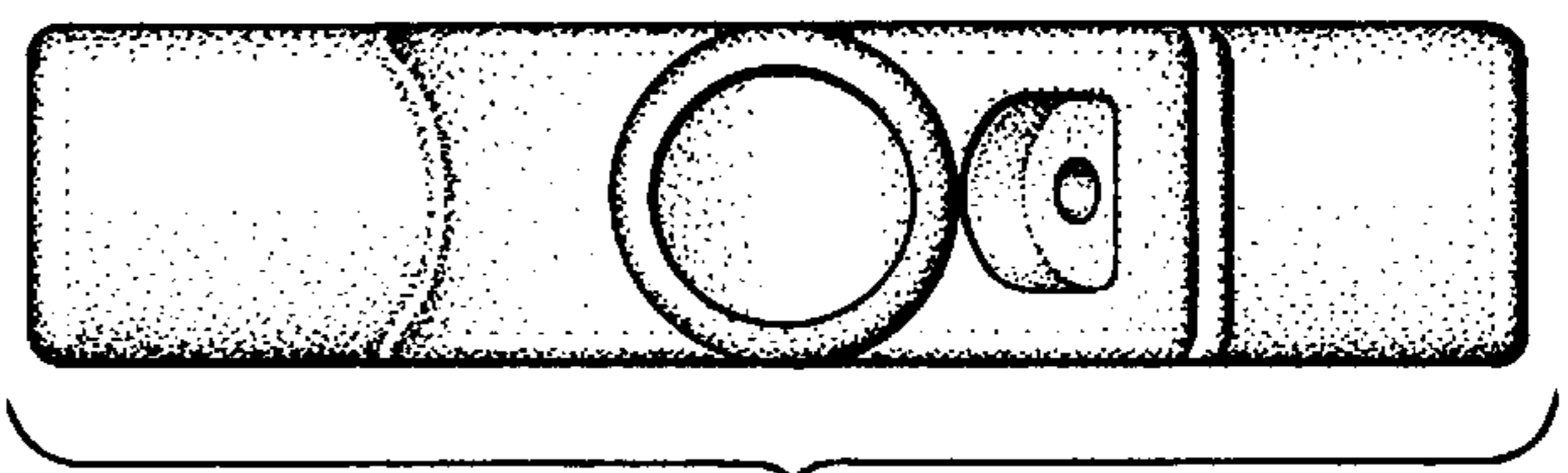


FIG 5