



US00D416063S

United States Patent [19]

Scheurer et al.

[11] **Patent Number: Des. 416,063**

[45] **Date of Patent: ** Nov. 2, 1999**

[54] **FLOATING CHAIR FOR SWIMMING POOL**

5,403,220 4/1995 Good, Sr. 441/130

[75] Inventors: **Robert S. Scheurer; Michael L. Perry,**
both of Wichita Falls, Tex.

[73] Assignee: **Texas Recreation Corporation,**
Wichita Falls, Tex.

[**] Term: **14 Years**

[21] Appl. No.: **29/077,517**

[22] Filed: **Oct. 3, 1997**

[51] **LOC (6) Cl. 21-06**

[52] **U.S. Cl. D21/809; D21/803**

[58] **Field of Search D21/801, 803,**
D21/809; 441/129-132

[56] **References Cited**

U.S. PATENT DOCUMENTS

- D. 362,706 9/1995 Wamsley D21/809
- D. 371,252 7/1996 Chaput D21/809

OTHER PUBLICATIONS

Front gate cat. No. 6482 "The Fun Chair", Nov. 1995.

Primary Examiner—Kay H. Chin
Attorney, Agent, or Firm—Dennis T. Griggs

[57] **CLAIM**

The ornamental design for a floating chair for swimming pool, as shown and described.

DESCRIPTION

FIG. 1 is a front perspective view of a floating chair for swimming pool, showing my new design; FIG. 2 is a left side elevational view thereof, the right side elevational view being a mirror image thereof; FIG. 3 is a front elevational view thereof; FIG. 4 is a rear elevational view thereof; FIG. 5 is a top plan view thereof; and, FIG. 6 is a bottom plan view thereof.

1 Claim, 3 Drawing Sheets

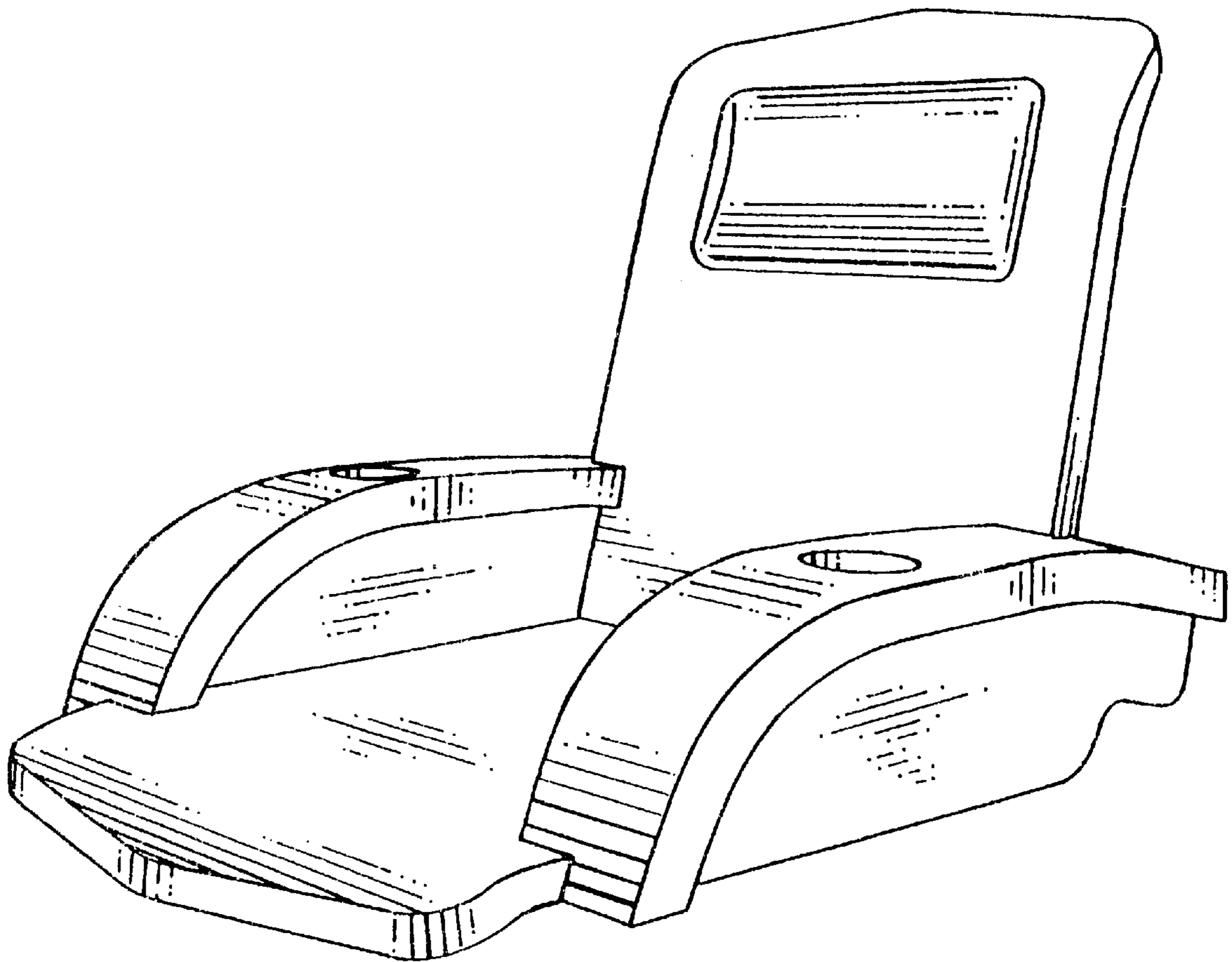


FIG. 1

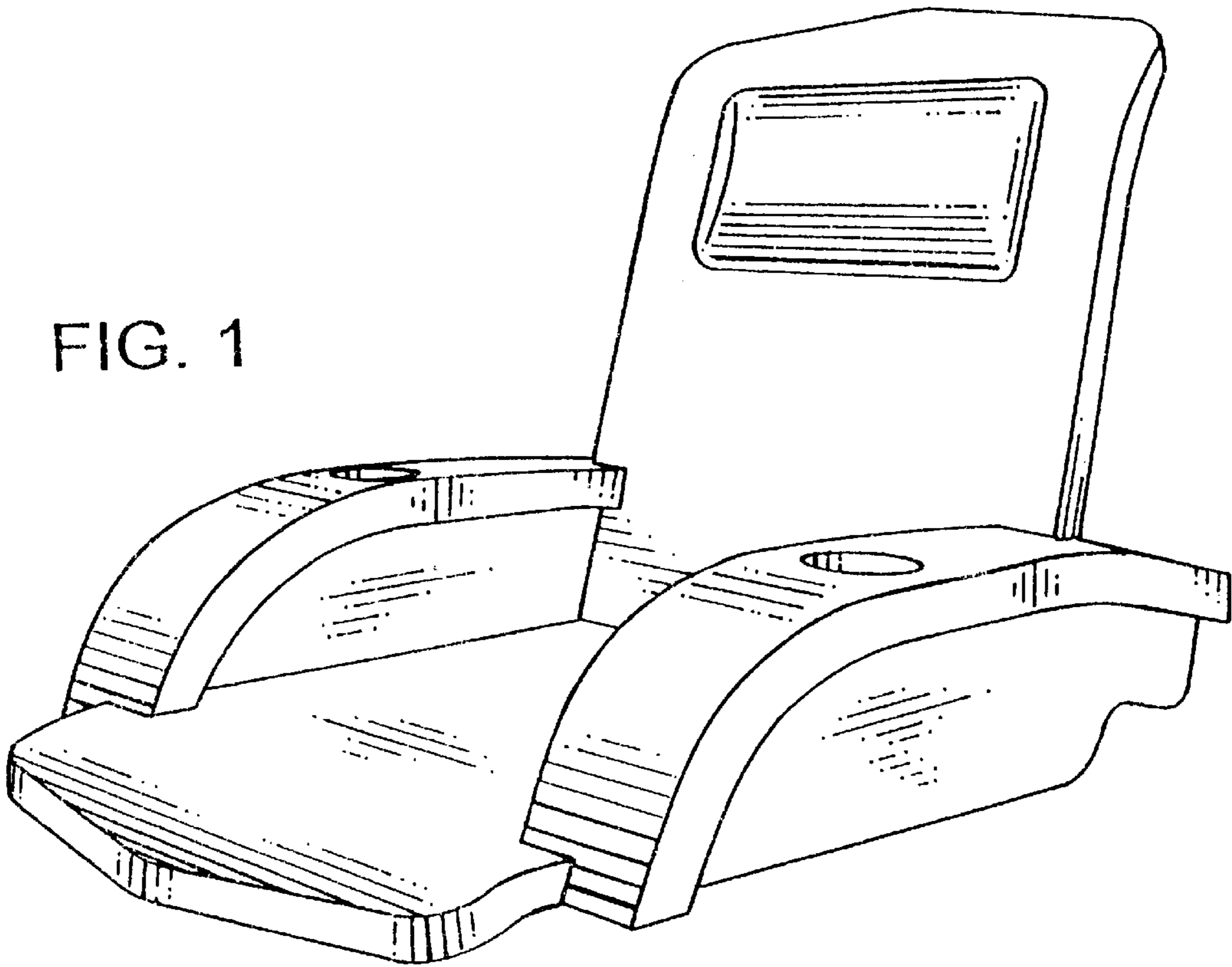


FIG. 2

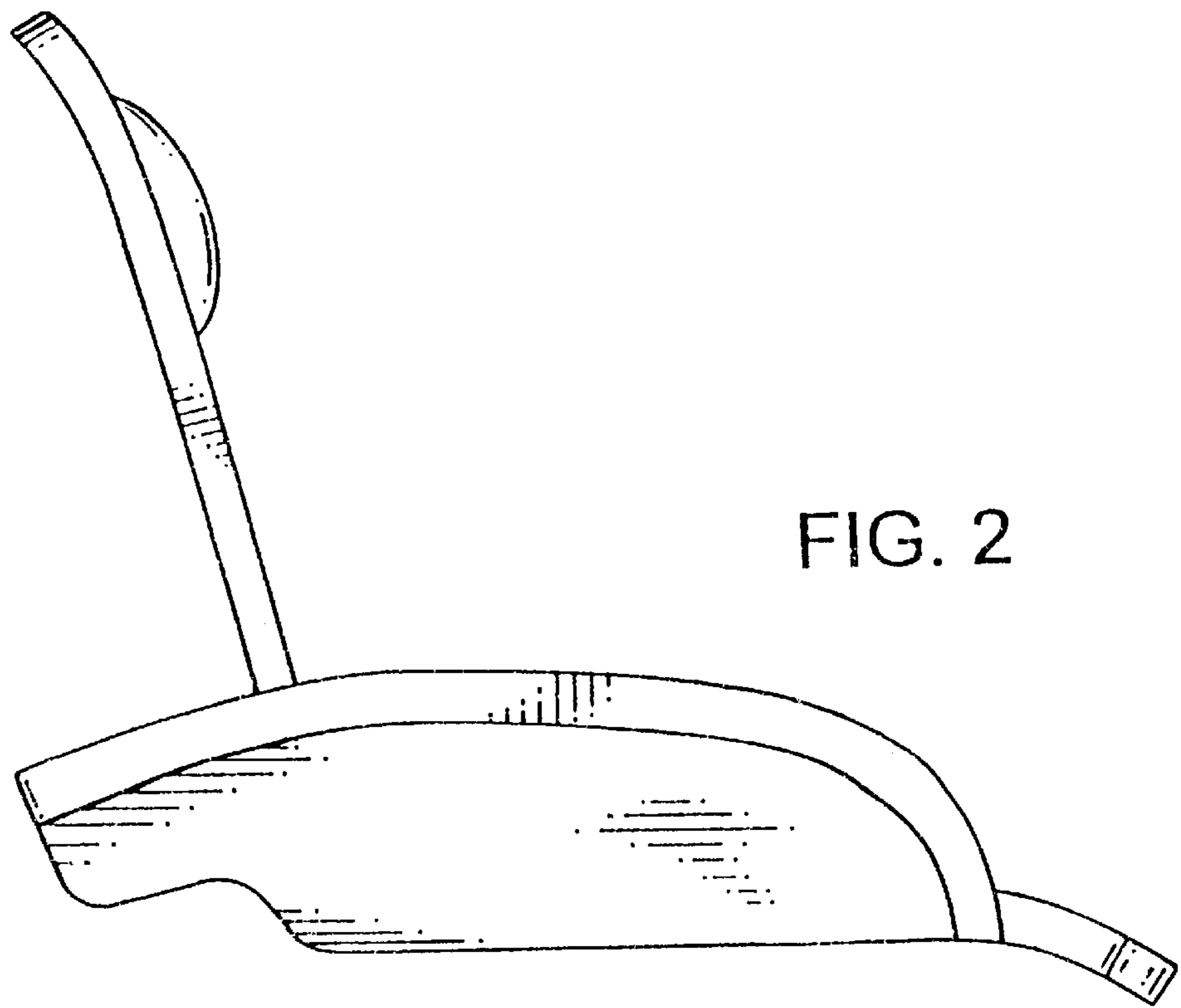


FIG. 3

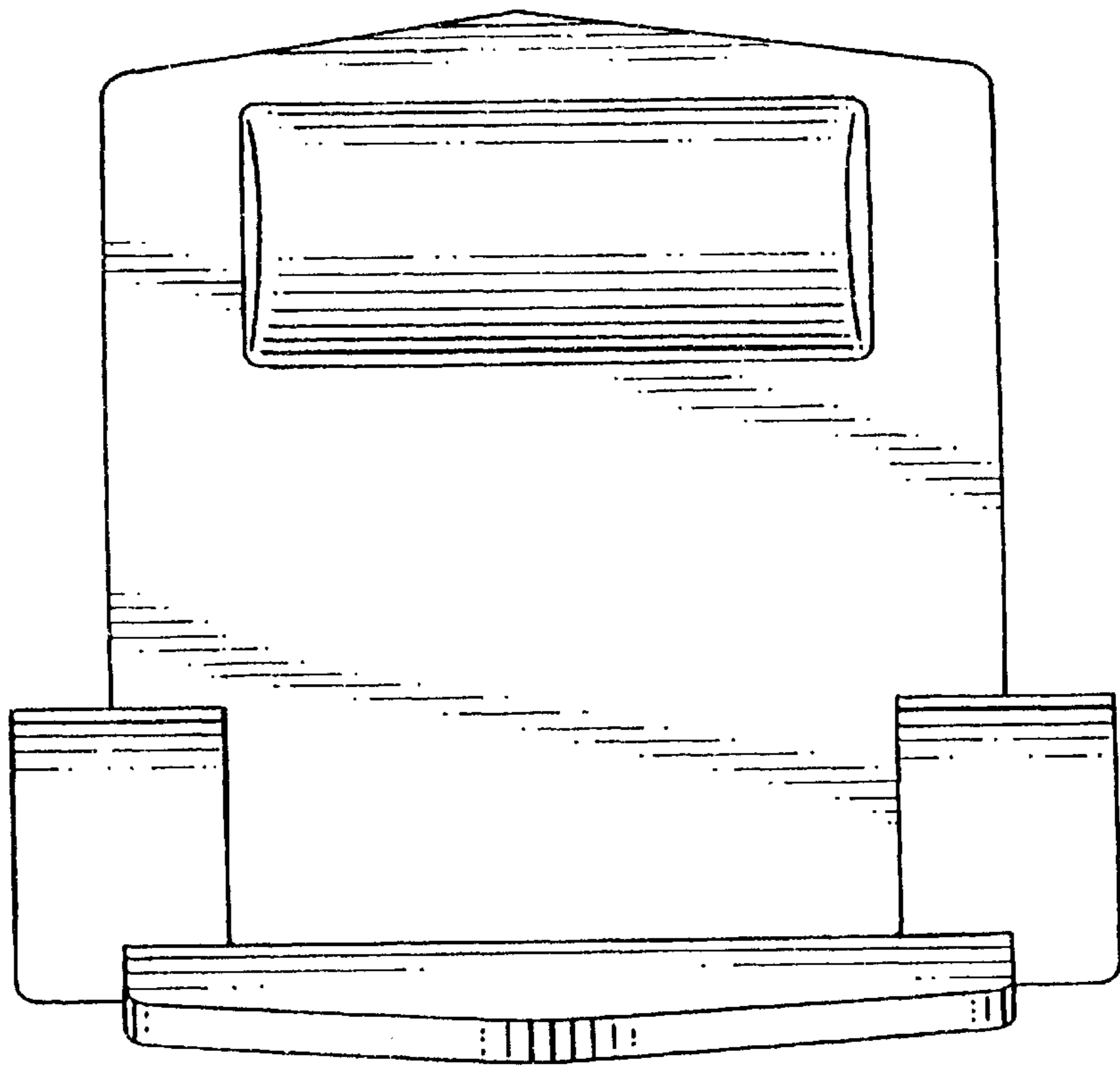


FIG. 4

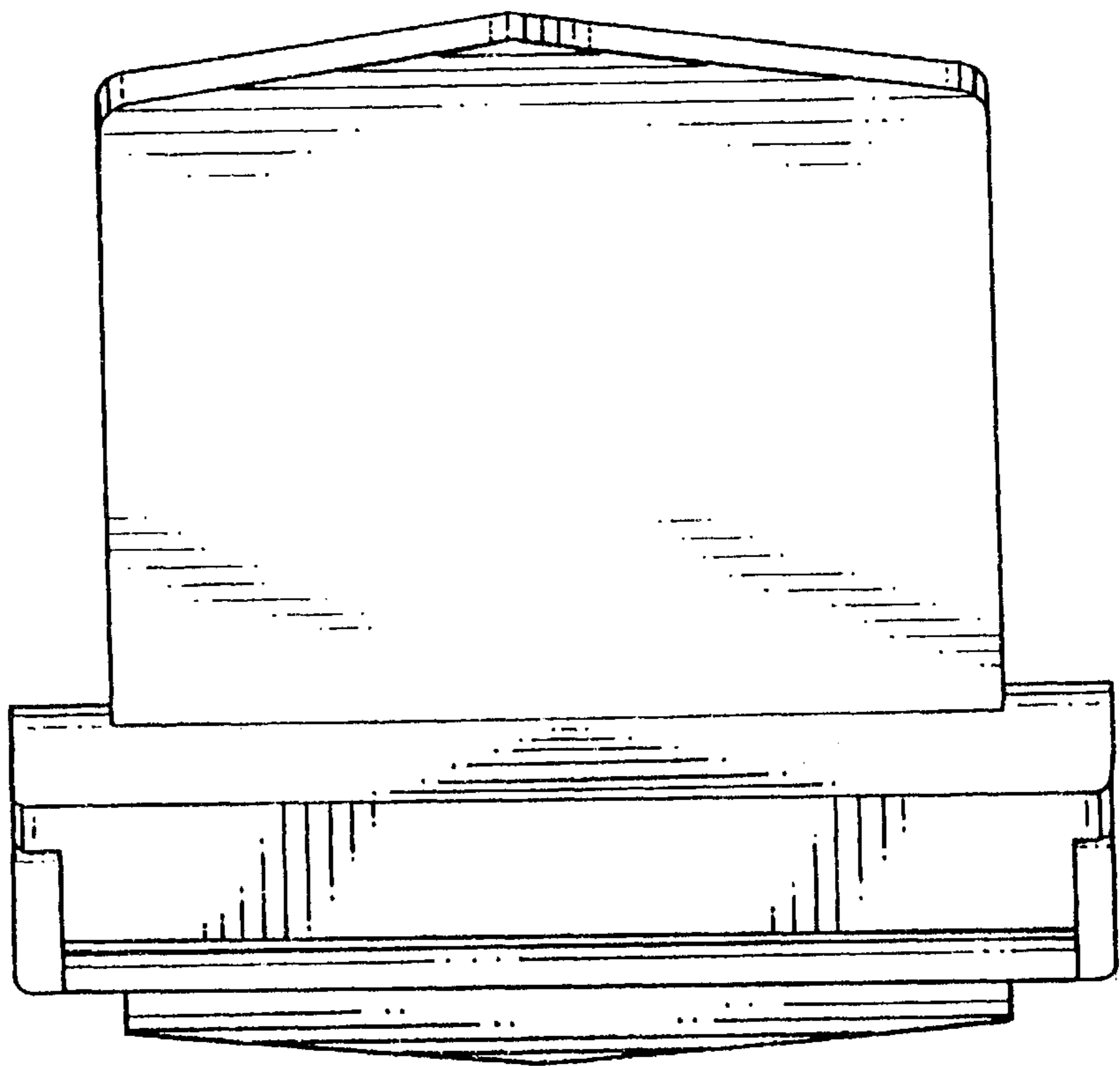


FIG. 5

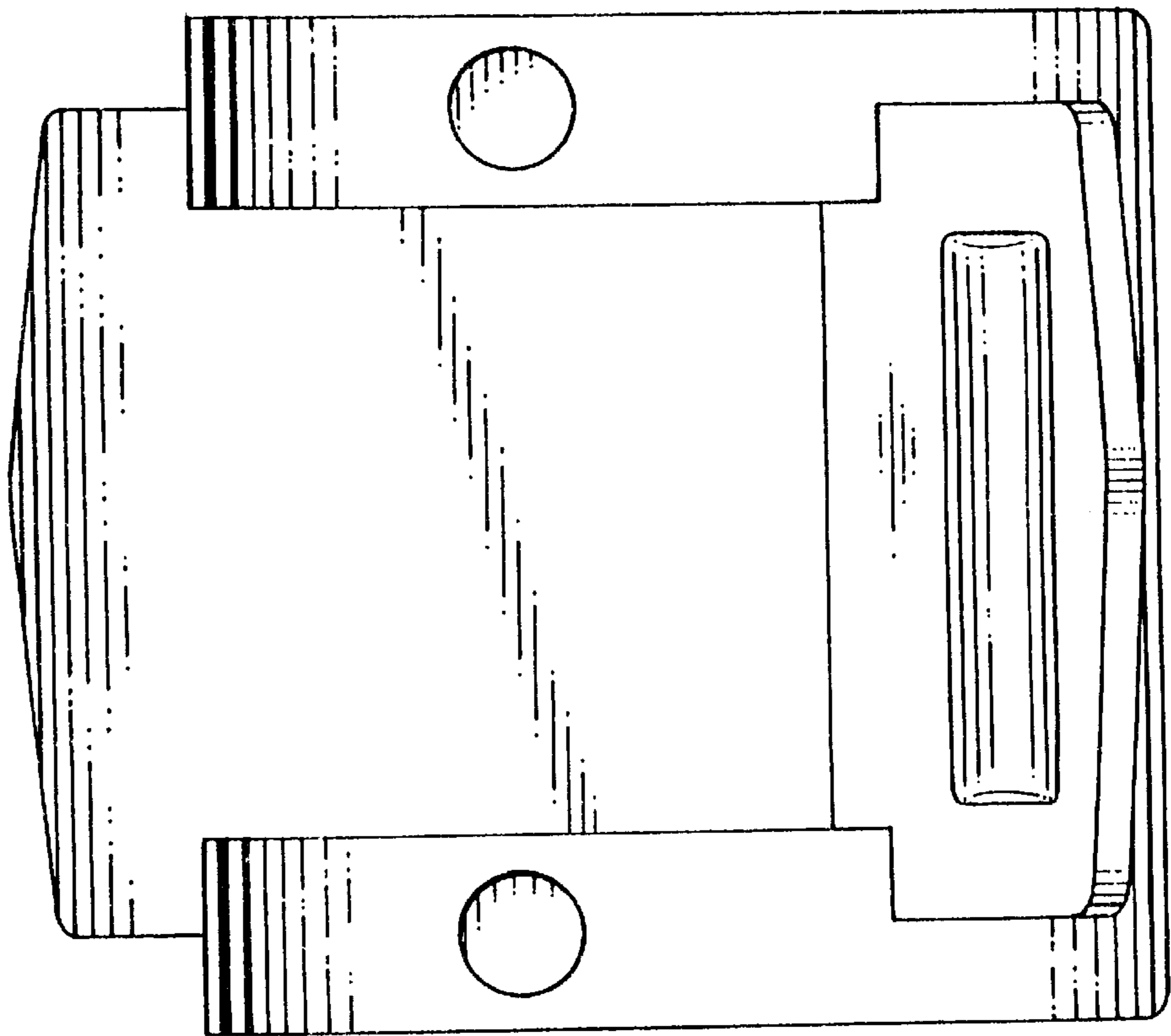


FIG. 6

