



US00D416060S

United States Patent [19] Angeles

[11] **Patent Number: Des. 416,060**

[45] **Date of Patent: ** Nov. 2, 1999**

[54] **TENSION KNOB FOR AN EXERCISER**

5,439,432	8/1995	Lundin et al.	482/53
5,584,780	12/1996	Lin	482/51
5,603,675	2/1997	Wu	482/52

[75] Inventor: **James P. Angeles**, Boulder, Colo.

[73] Assignee: **LifeGear, Inc.**, Rockaway Township, N.J.

[**] Term: **14 Years**

[21] Appl. No.: **29/068,142**

[22] Filed: **Mar. 14, 1997**

[51] **LOC (6) Cl.** **21-02**

[52] **U.S. Cl.** **D21/694; D8/312**

[58] **Field of Search** D21/662, 663, D21/665, 670, 673, 672, 694; D8/307, 308, 309, 310, 311, 312; 16/110 R, 121, DIG. 30

[56] **References Cited**

U.S. PATENT DOCUMENTS

D. 281,710	12/1985	Kirby	D21/663
D. 282,478	2/1986	Williams	D21/663
D. 324,479	3/1992	Tinz	D8/310
D. 324,986	3/1992	Fratantonio et al.	D8/300
D. 348,708	7/1994	Chen	D21/670
D. 373,395	9/1996	Chen	D21/663
5,232,421	8/1993	Chen et al.	482/53

OTHER PUBLICATIONS

Plastiglide Adjustment Knob Catalog 17B, Aug. 19, 1983.

Primary Examiner—Philip S. Hyder
Attorney, Agent, or Firm—David L. Davis

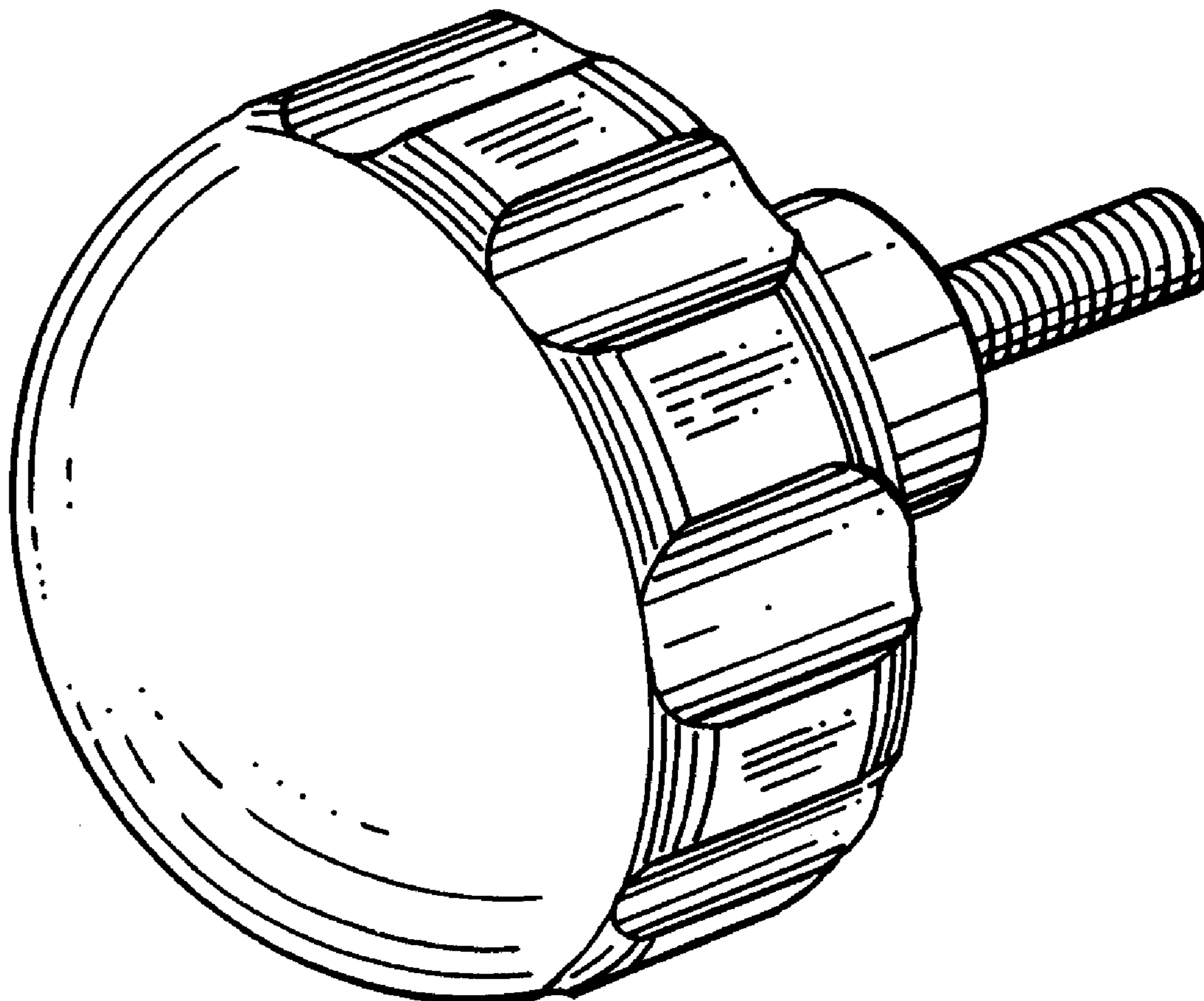
[57] **CLAIM**

The ornamental design for a tension knob for an exerciser, as shown and described.

DESCRIPTION

FIG. 1 is a perspective view of a tension knob for an exerciser showing my new design, wherein the broken line showing of the exerciser is for illustrative purposes only and forms no part of the claimed design;
FIG. 2 is a front perspective view of the tension knob for an exerciser;
FIG. 3 is a rear perspective view thereof;
FIG. 4 is a left side elevational view thereof, the right side elevational view being a mirror image;
FIG. 5 is a front elevational view thereof; and,
FIG. 6 is a rear elevational view thereof.

1 Claim, 3 Drawing Sheets



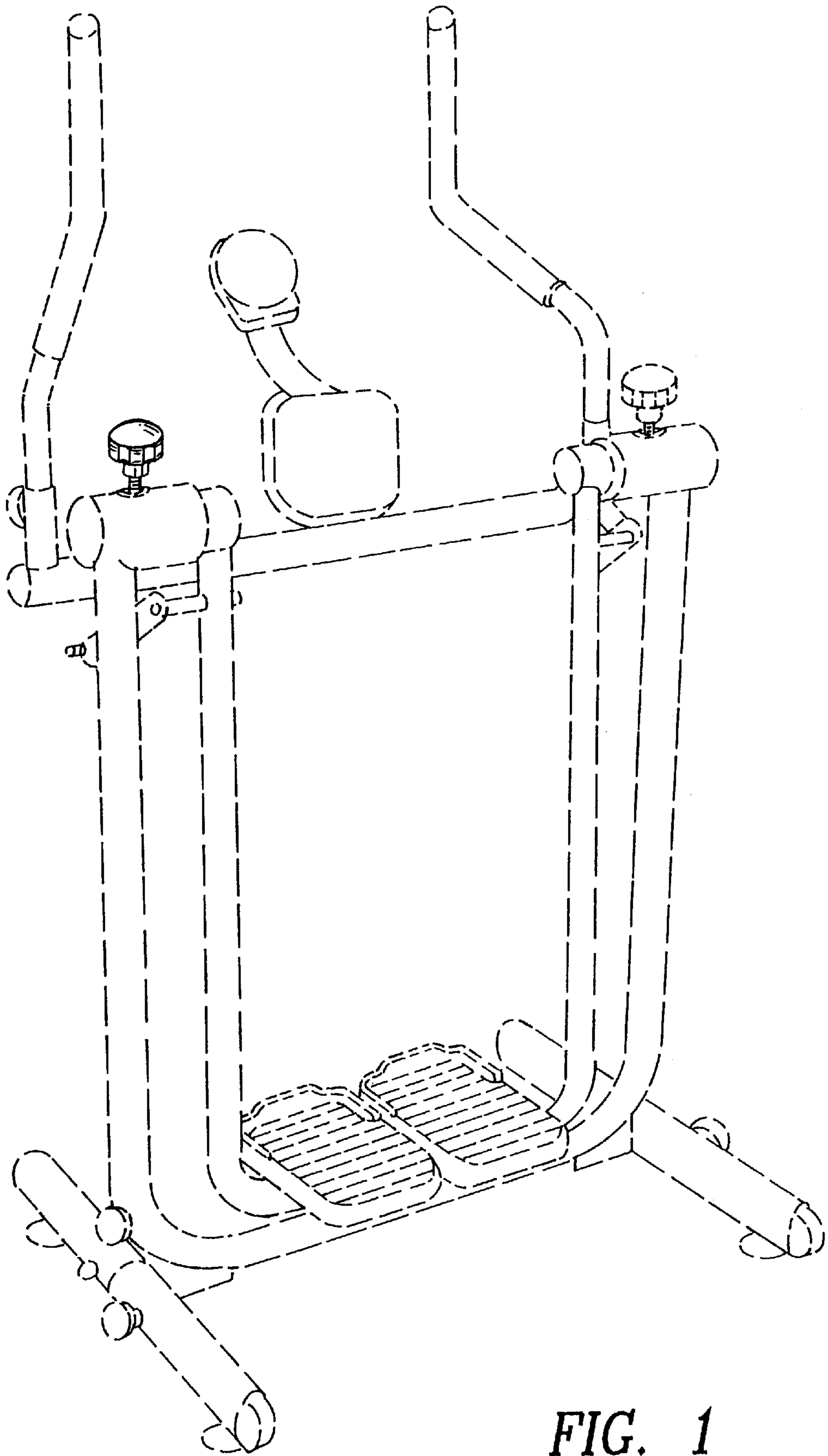


FIG. 1

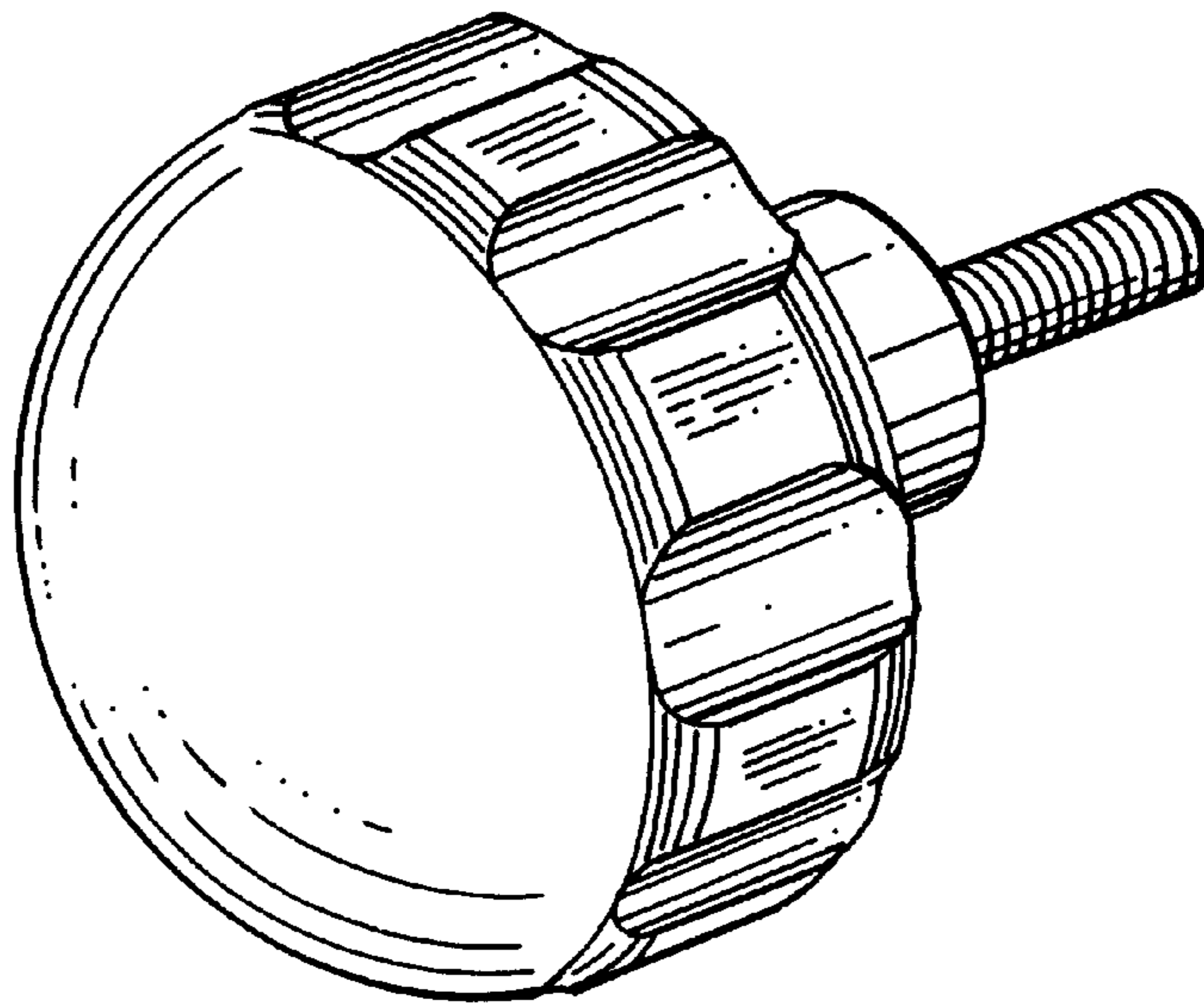


FIG. 2

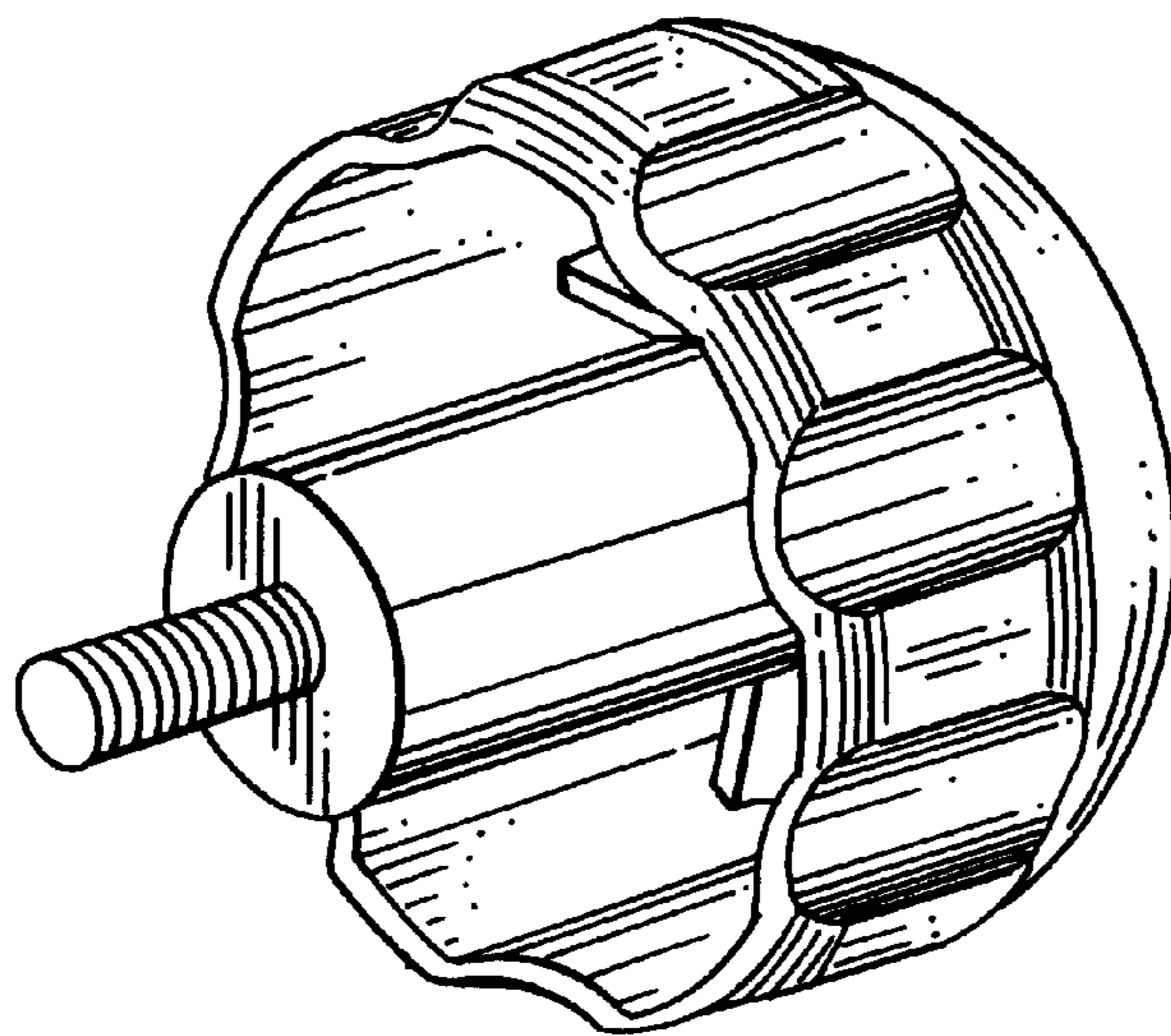


FIG. 3

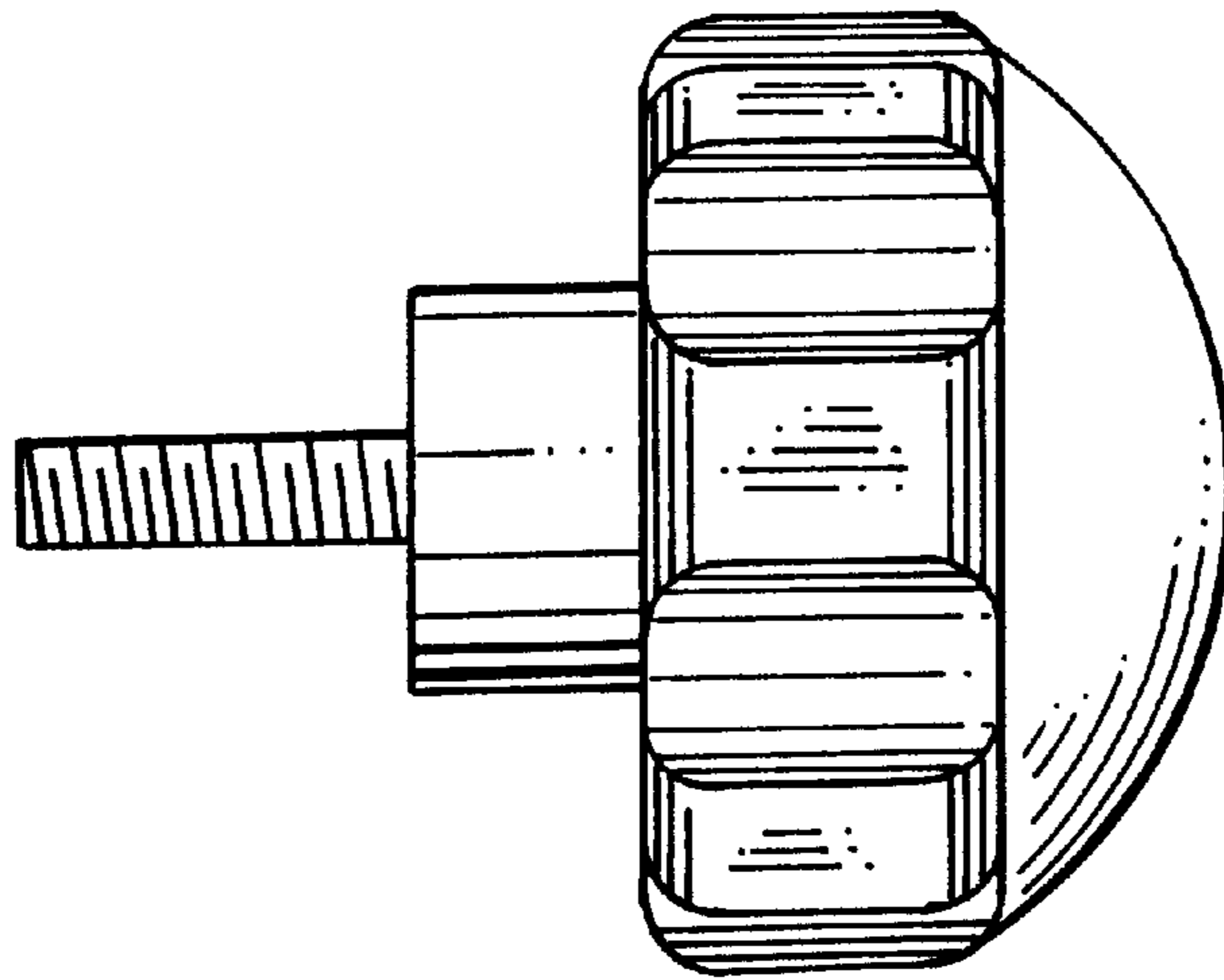


FIG. 4

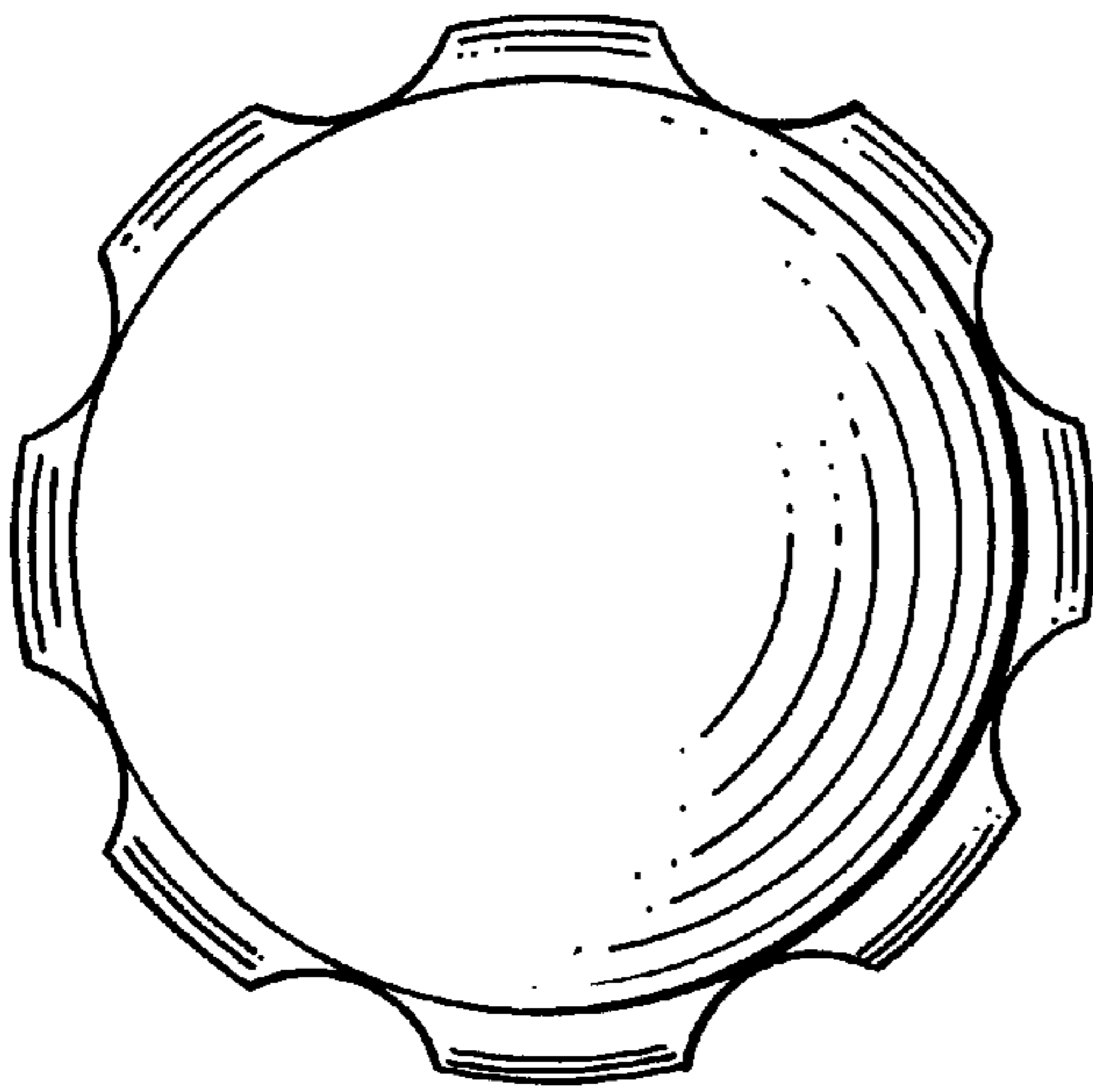


FIG. 5

FIG. 6

