



US00D416054S

United States Patent [19]

[11] **Patent Number: Des. 416,054**

McGahn et al.

[45] **Date of Patent: ** *Nov. 2, 1999**

[54] **GAMING MACHINE TOP BOX WITH VIDEO DISPLAY**

Primary Examiner—Sandra L. Morris
Attorney, Agent, or Firm—Beyer & Weaver, LLP

[75] Inventors: **Steven P. McGahn; Daniel J. Waller; Joseph R. Hedrick; Robert A. Luciano, Jr.; Jean-Pierre Legras; Chauncey W. Griswold**, all of Reno, Nev.

[57] CLAIM

We claim the ornamental design for a gaming machine top box with video display, as shown and described.

[73] Assignee: **International Game Technology**, Reno, Nev.

DESCRIPTION

[*] Notice: This patent is subject to a terminal disclaimer.

FIG. 1 is a perspective view of a gaming machine top box with a video display, showing our new design, wherein the broken line showing of a slot machine is for illustrative purposes only, and forms no part of the claimed design.

[**] Term: **14 Years**

[21] Appl. No.: **29/091,013**

FIG. 2 is an enlarged perspective view thereof;

[22] Filed: **Jul. 20, 1998**

FIG. 3 is an enlarged front elevational view thereof;

Related U.S. Application Data

FIG. 4 is an enlarged top plan view thereof;

[62] Division of application No. 29/075,209, Aug. 8, 1997, Pat. No. Des. 404,436.

FIG. 5 is an enlarged right side elevational view thereof, the left side being a mirror image;

[51] **LOC (6) Cl. 21-03**

[52] **U.S. Cl. D21/370**

[58] **Field of Search** D21/369, 370, D21/385; 273/138.1, 139, 142 R, 143 R, 145 A; 312/110; 463/46

FIG. 6 is an enlarged perspective view of a second embodiment thereof, the other views being mirror images of those shown in FIGS. 3–5.

[56] References Cited

FIG. 7 is an enlarged perspective view of a third embodiment thereof;

U.S. PATENT DOCUMENTS

D. 236,720	9/1975	Baker	D21/369
D. 301,494	6/1989	Gutknecht	D21/385
D. 344,122	2/1994	McKay et al.	D21/370
D. 379,202	5/1997	Takemoto et al.	D21/38
D. 380,014	6/1997	Yang	D21/370
D. 381,700	7/1997	Brettschneider	D21/370
D. 383,802	9/1997	Levy	D21/385
D. 403,363	12/1998	McGahn et al.	D21/369
917,725	4/1909	Faust	312/110
5,813,914	9/1995	McKay et al.	463/46

FIG. 8 is an enlarged front elevational view of FIG. 7;

FIG. 9 is an enlarged top plan view of FIG. 7;

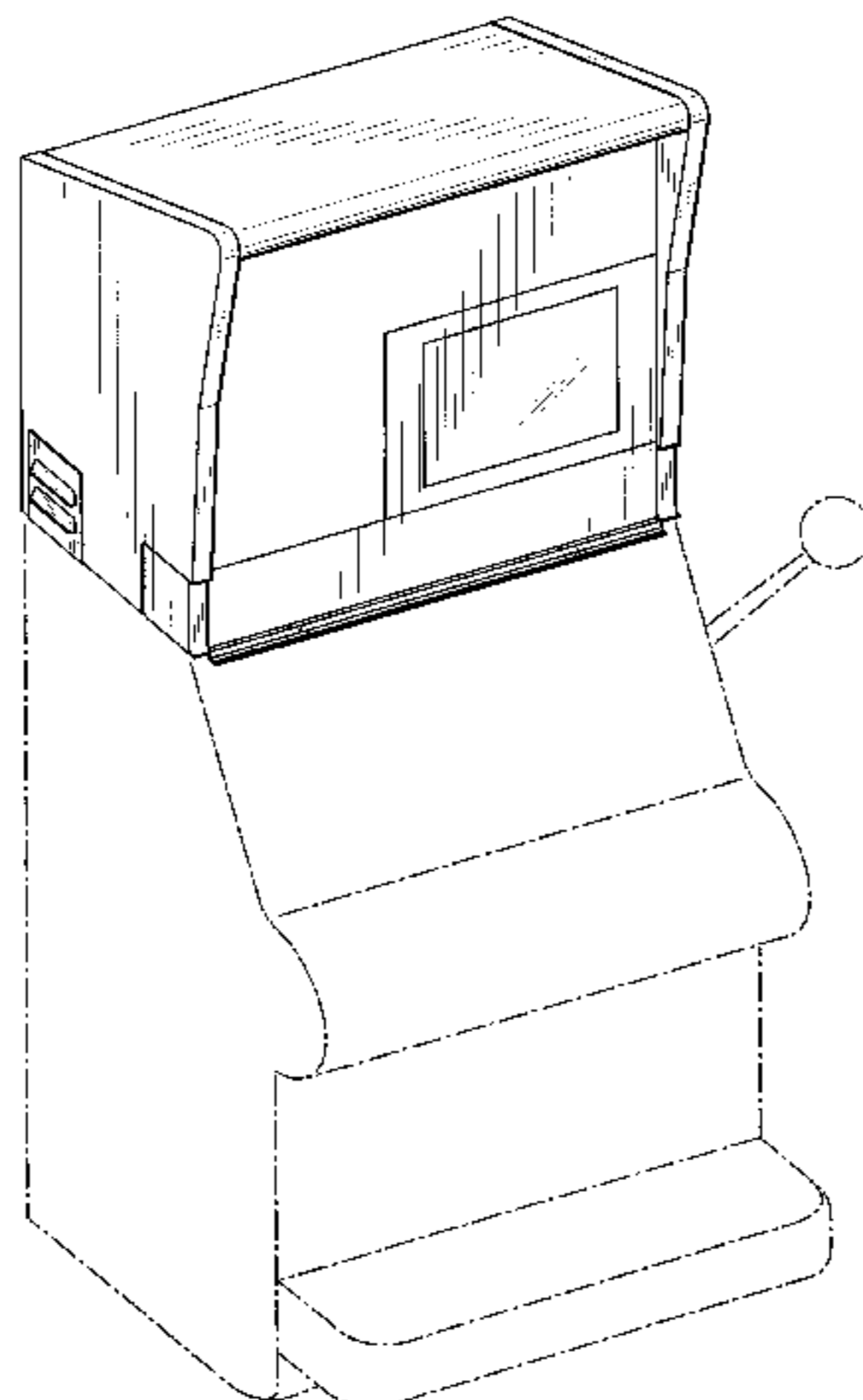
FIG. 10 is an enlarged right side elevational view of FIG. 7, the left side being a mirror image; and,

FIG. 11 is an enlarged perspective view of a fourth embodiment thereof, the other views being mirror images of those shown in FIGS. 8–10.

FOREIGN PATENT DOCUMENTS

97 09 371 3/1995 Germany .

1 Claim, 9 Drawing Sheets



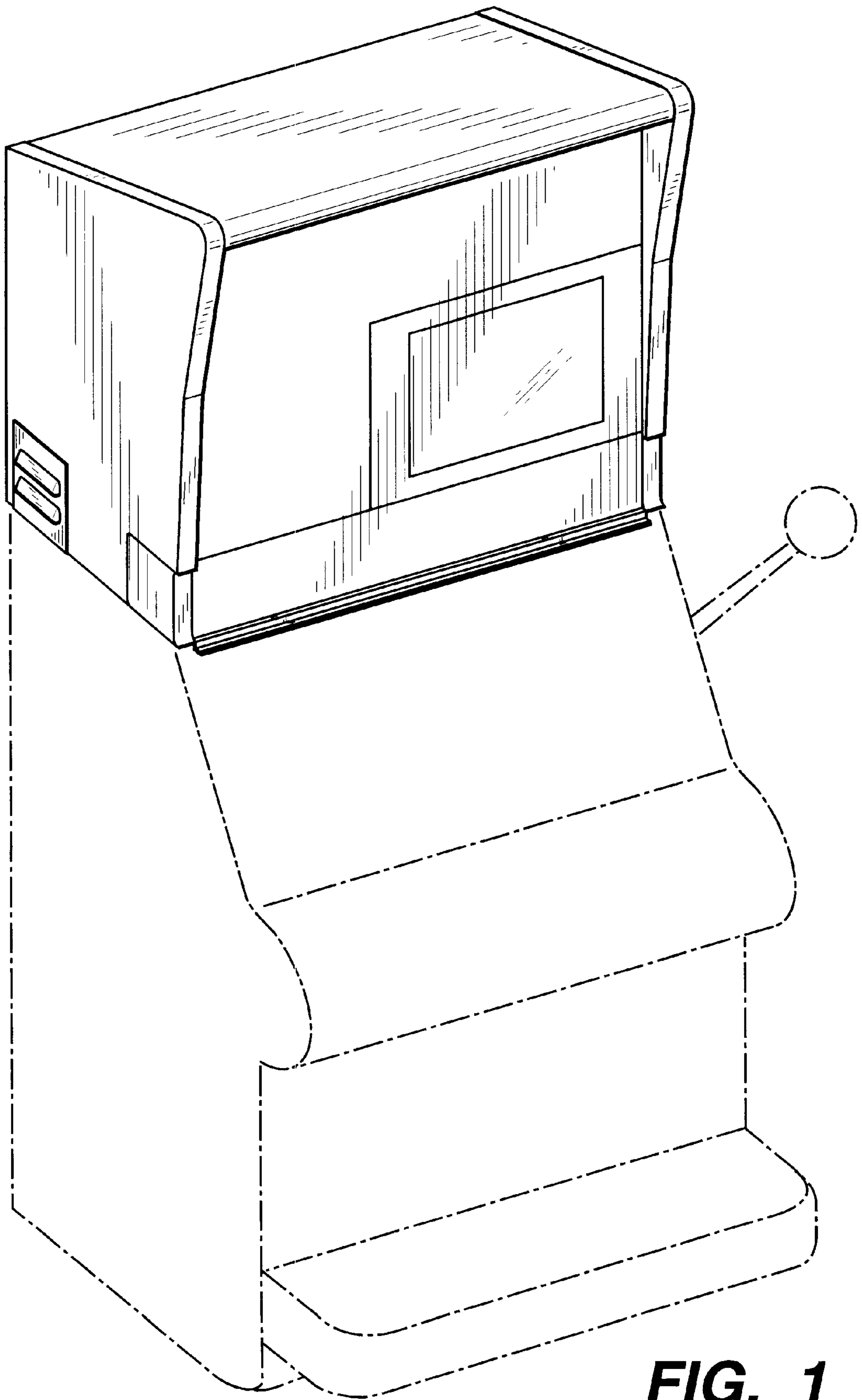


FIG. 1

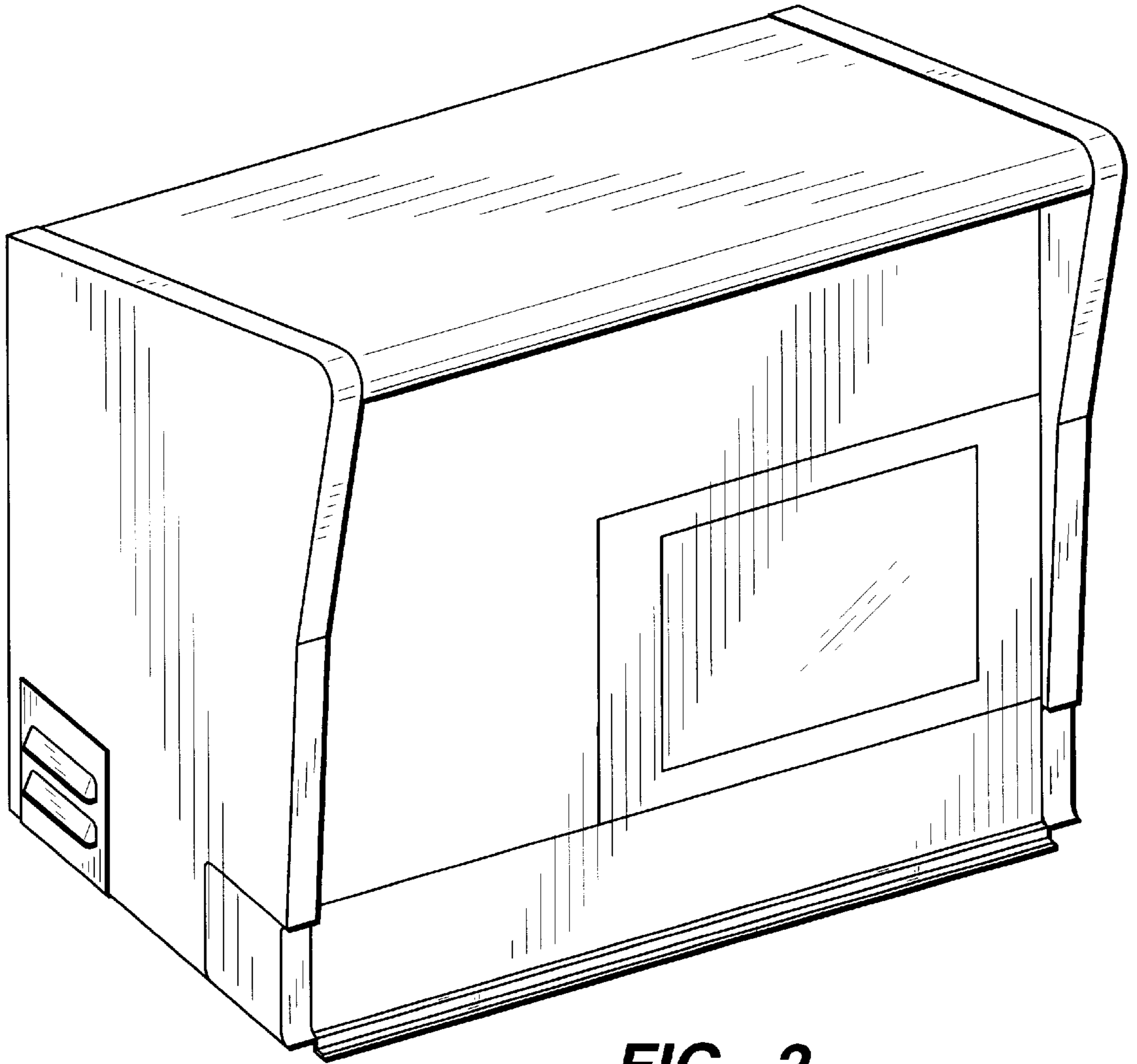


FIG. 2

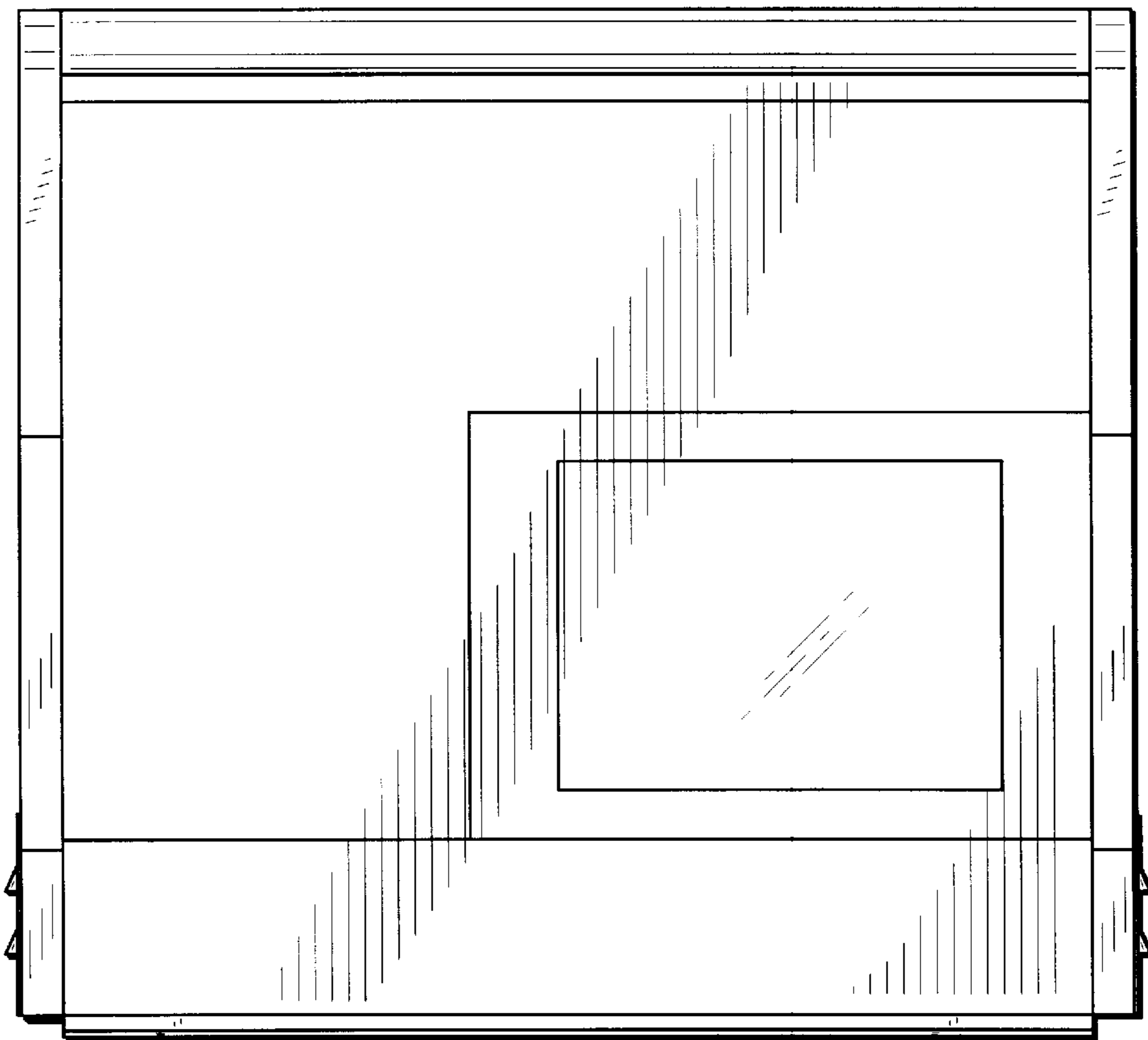


FIG. 3

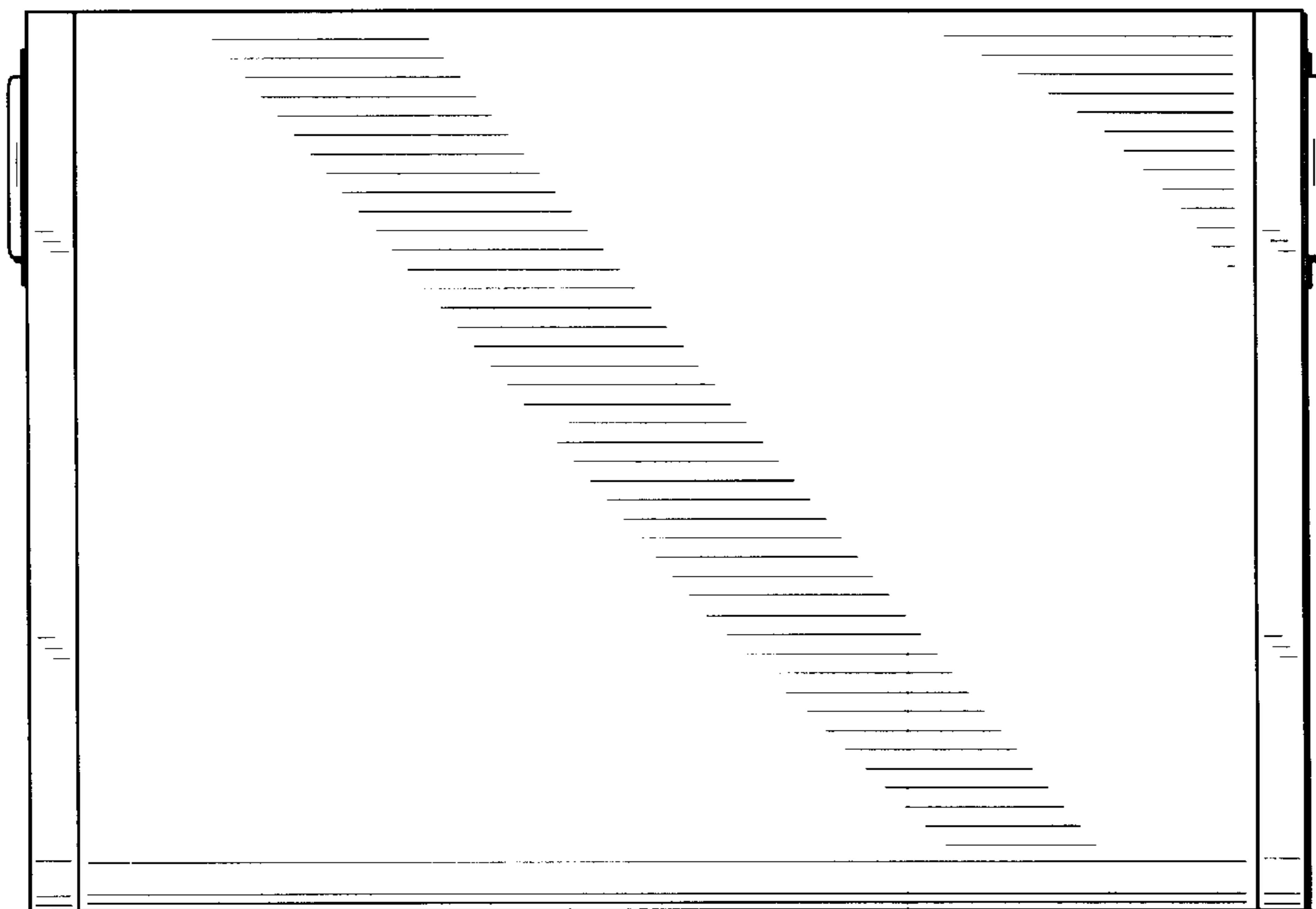


FIG. 4

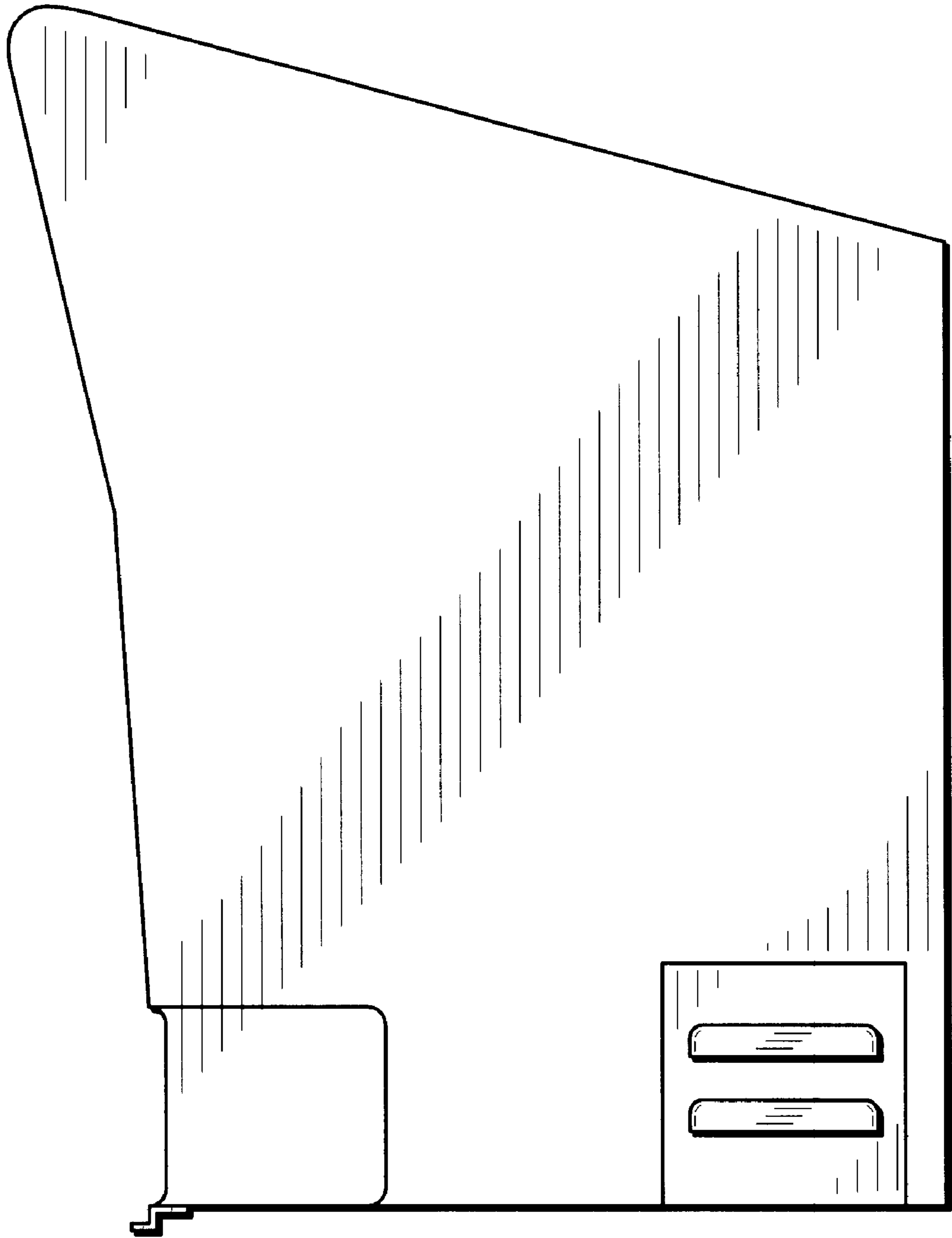


FIG. 5

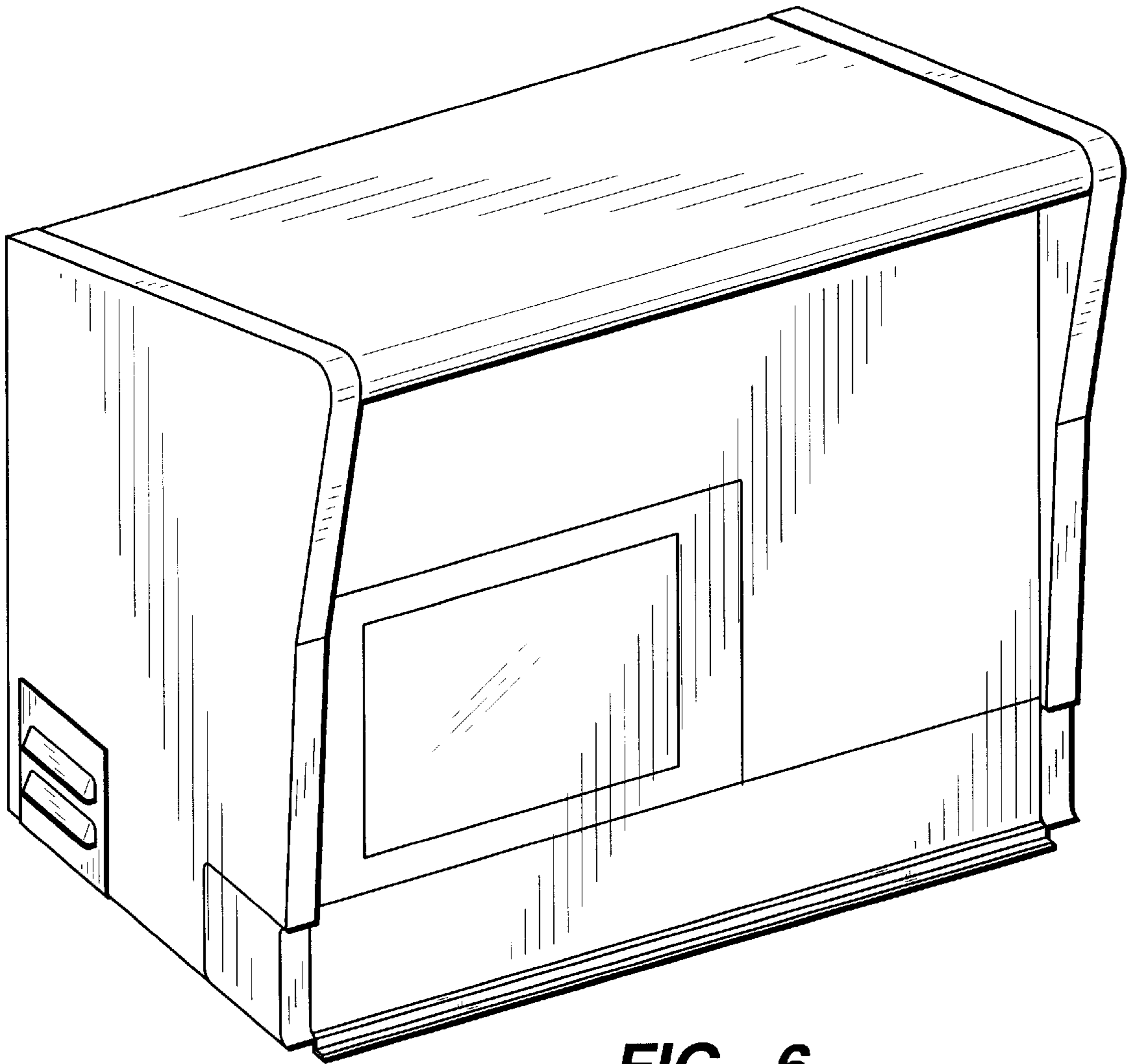


FIG. 6

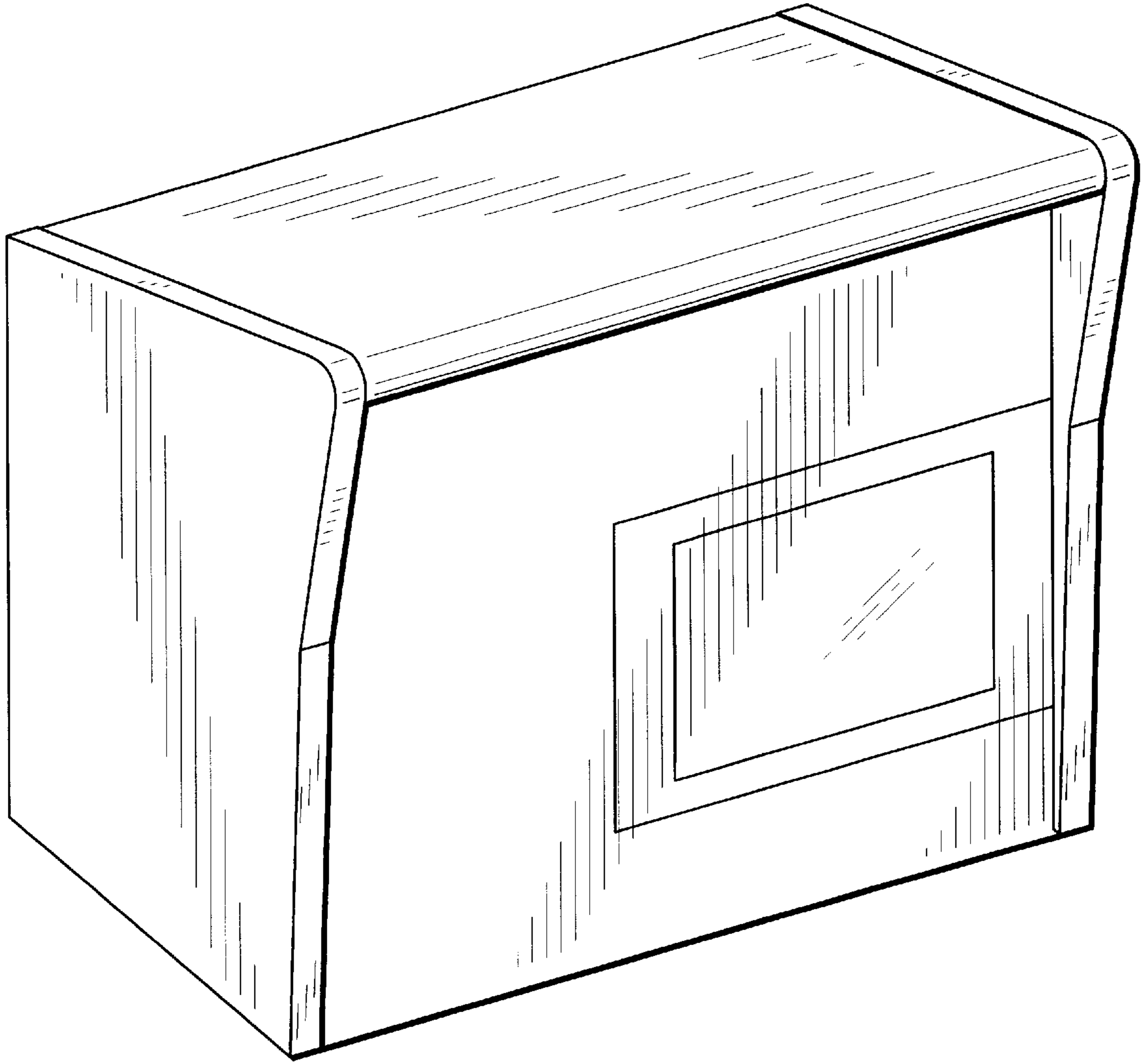


FIG. 7

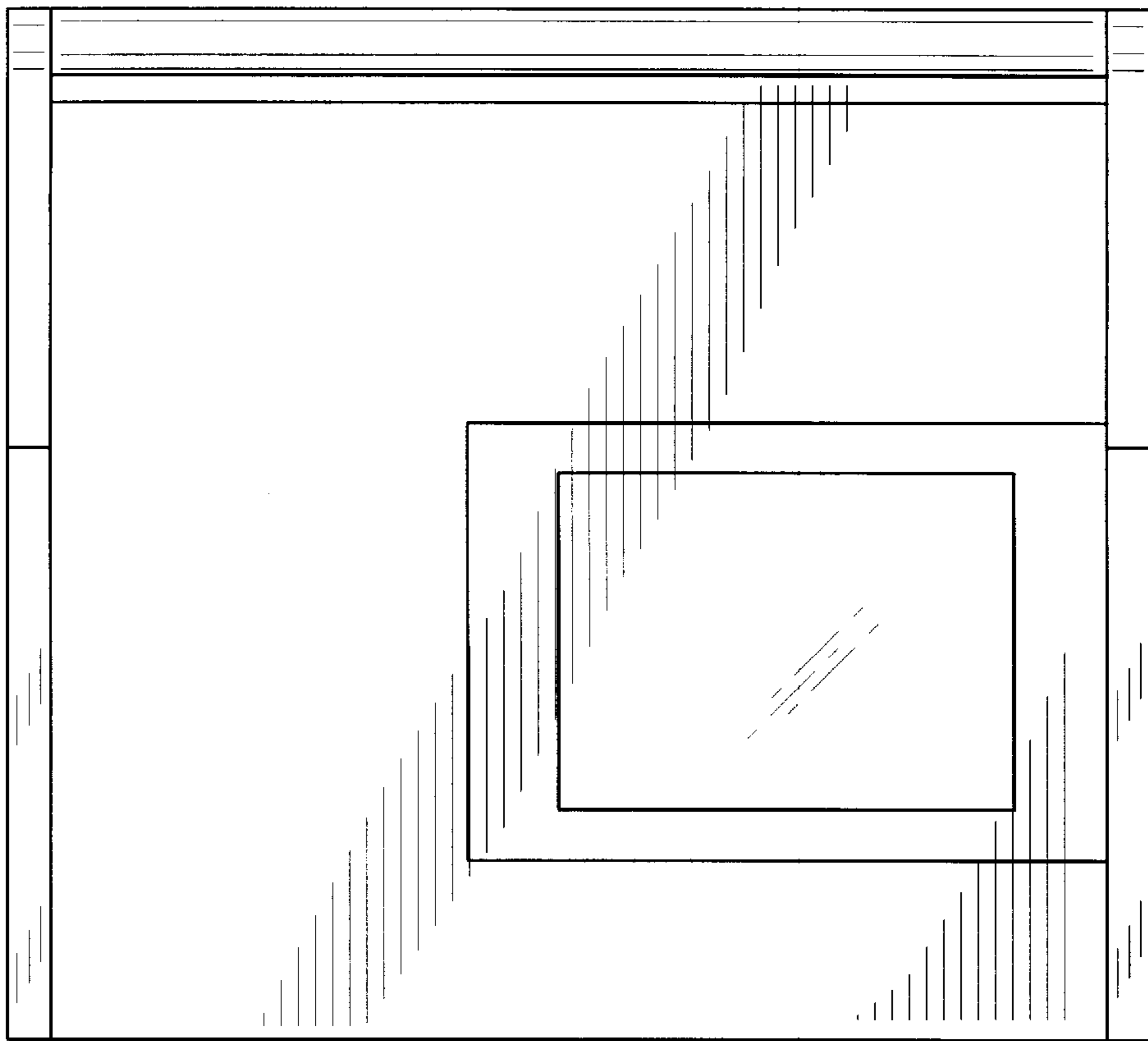


FIG._8

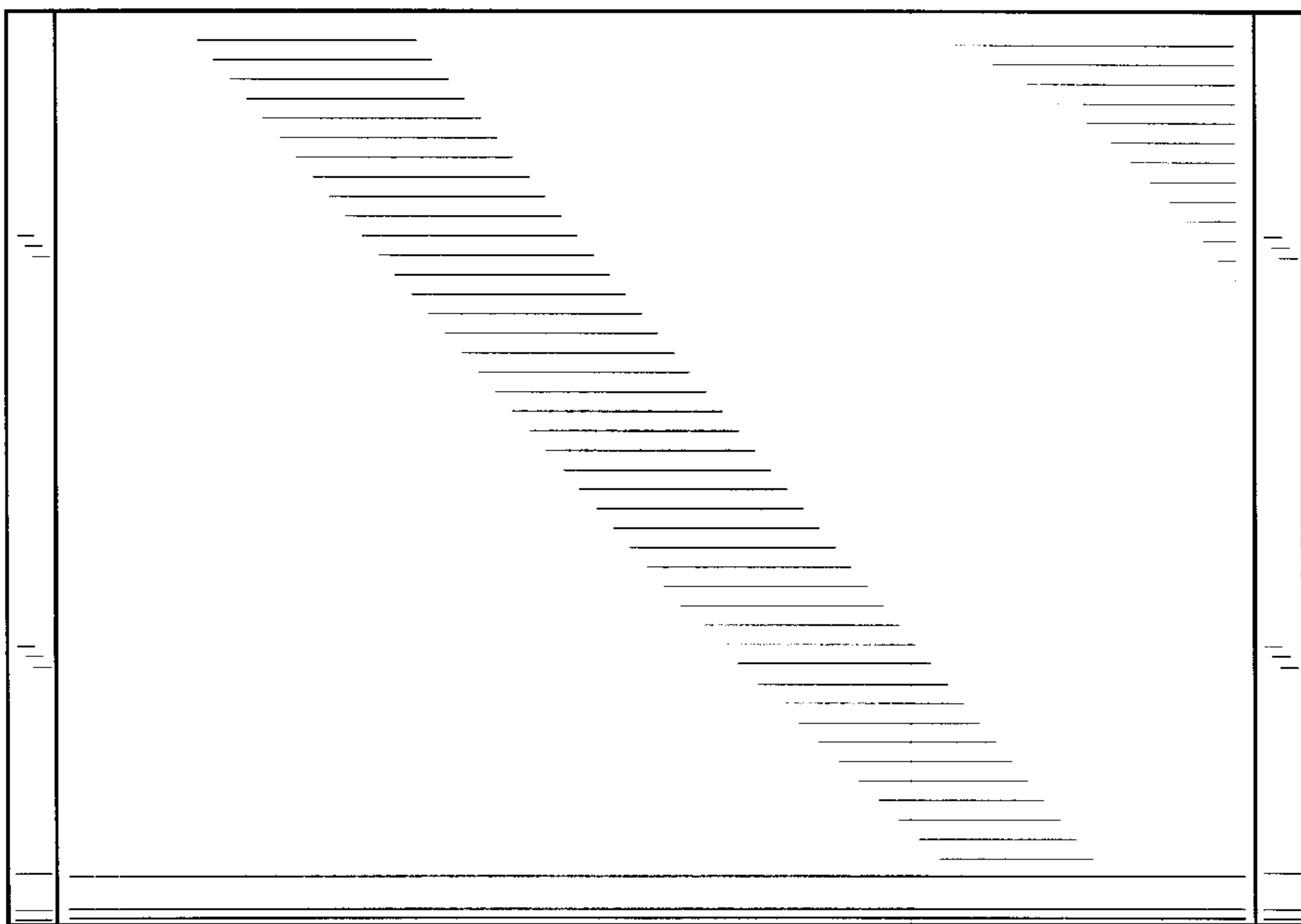


FIG._9

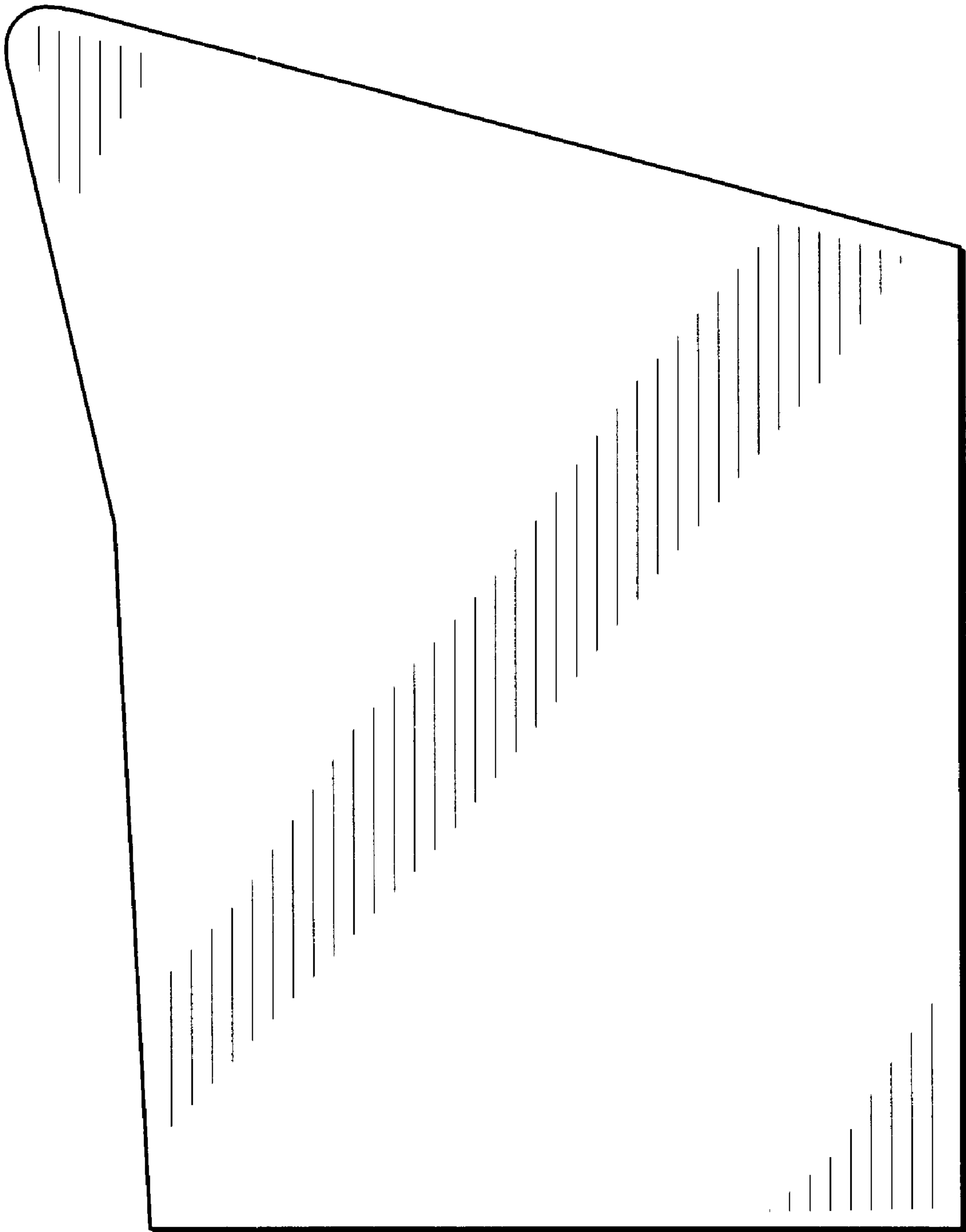


FIG. 10

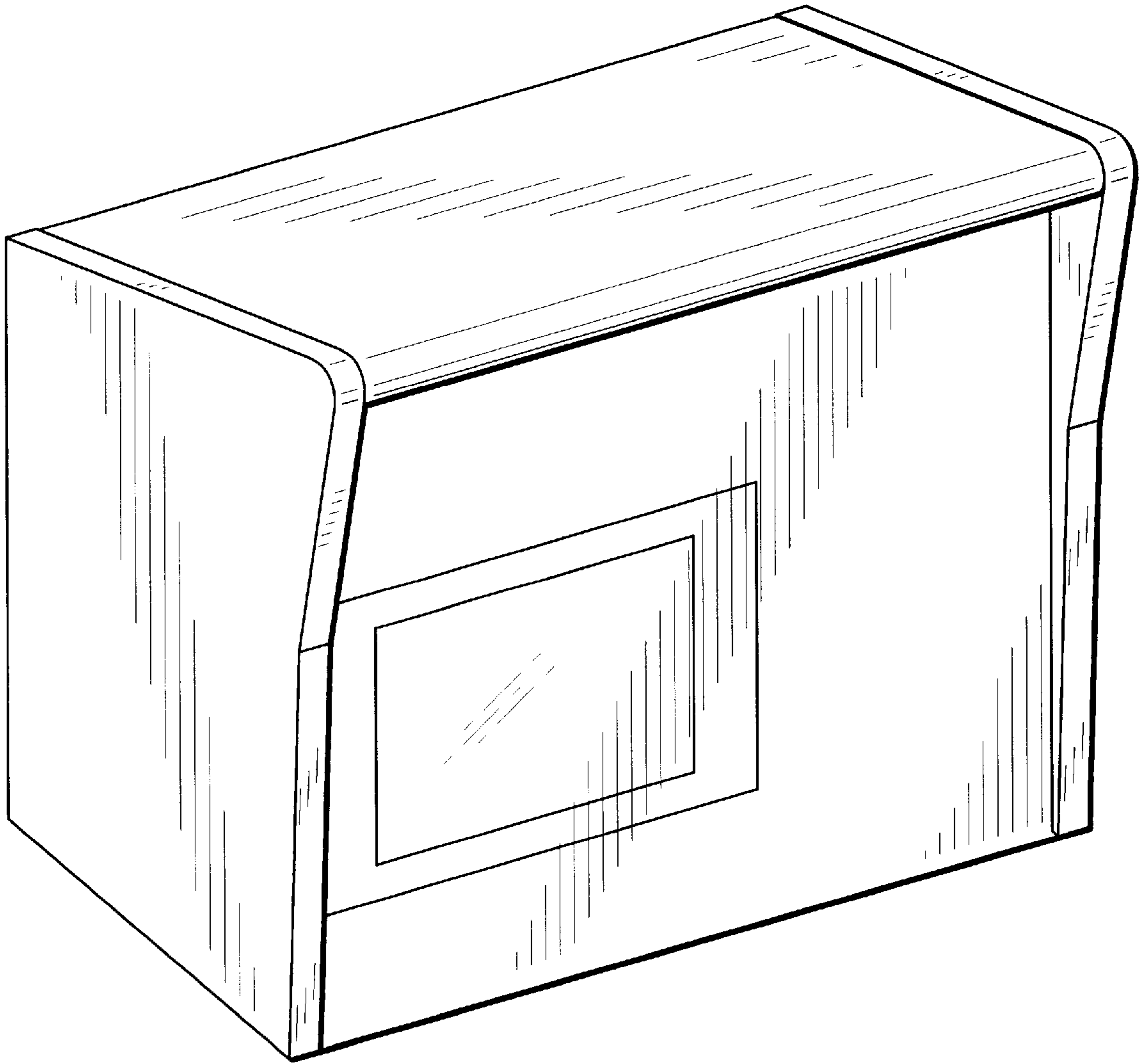


FIG. 11